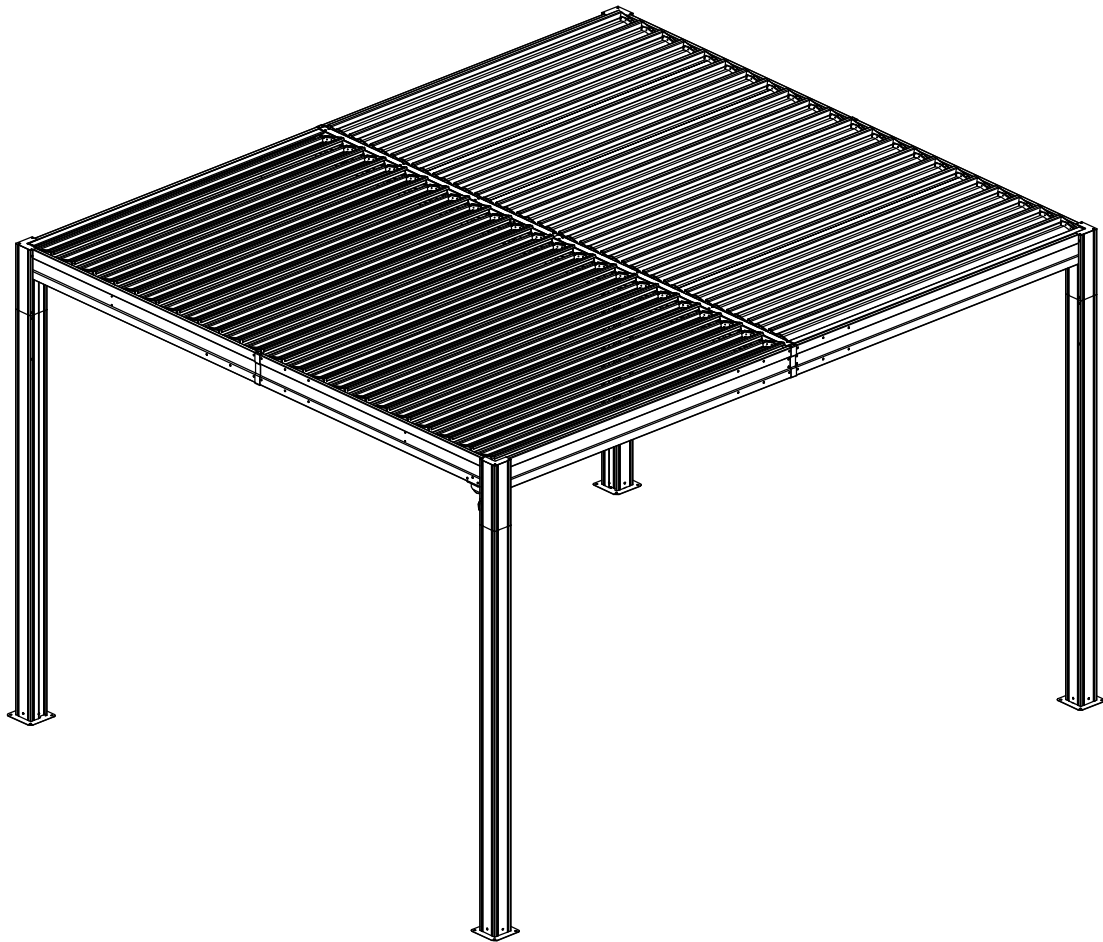




10' × 12' ALUMINUM LOUVERED PERGOLA

ASSEMBLY MANUAL



MODEL#: LGCF1762

Missing part? Damaged? Contact us via email at

service@domioutdoorliving.com

www.domioutdoorliving.com

© Copyright 2024-2026 domioutdoorliving LLC. All Rights Reserved.

READ ALL INSTRUCTIONS BEFORE USE

Warning & Attention

-This gazebo is not a toy. Children are not allowed to assemble or disassemble. Please take care of children, do not let them play around when assemble or disassemble.

-Adults only for assemble or disassemble this product.

-This product is constructed with heavy duty frame, please do not lean or climb before it finish assembling.

-Even though our hardtop gazebo is sturdy, please do not stand under the gazebo during a lightning storm.

-DO NOT use this gazebo if any parts show signs of instability or damage.

-Maximum weight capacity is 1000 pounds.

-If moderate to heavy snow is forecast, open the lovers to avoid snow accumulating.



Four or more people are needed for assembly.



Find out and use the hex keys in the box.



One or more ladders are necessary.



A phillips screwdriver is required.



Please wear protective glove before assembly.



Please don't fully tighten the screws prior to complete assembly.

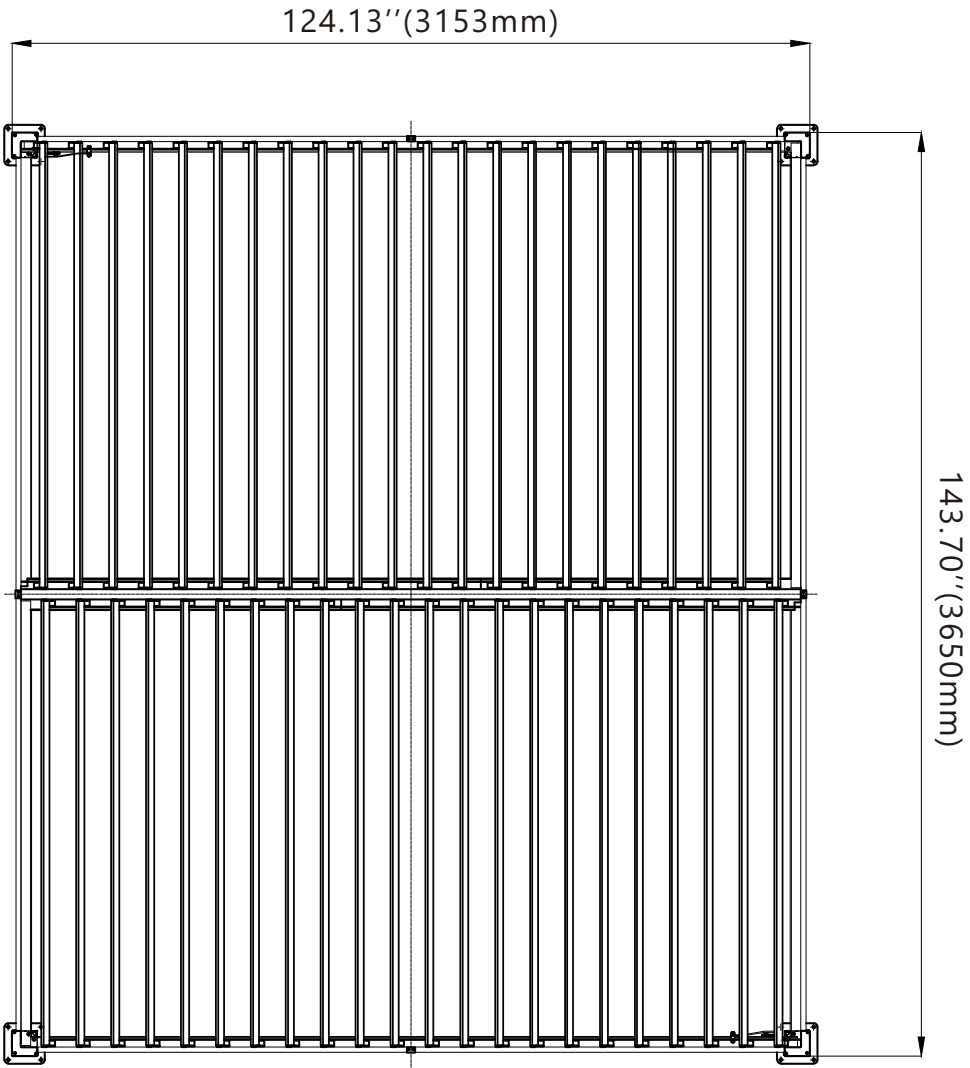
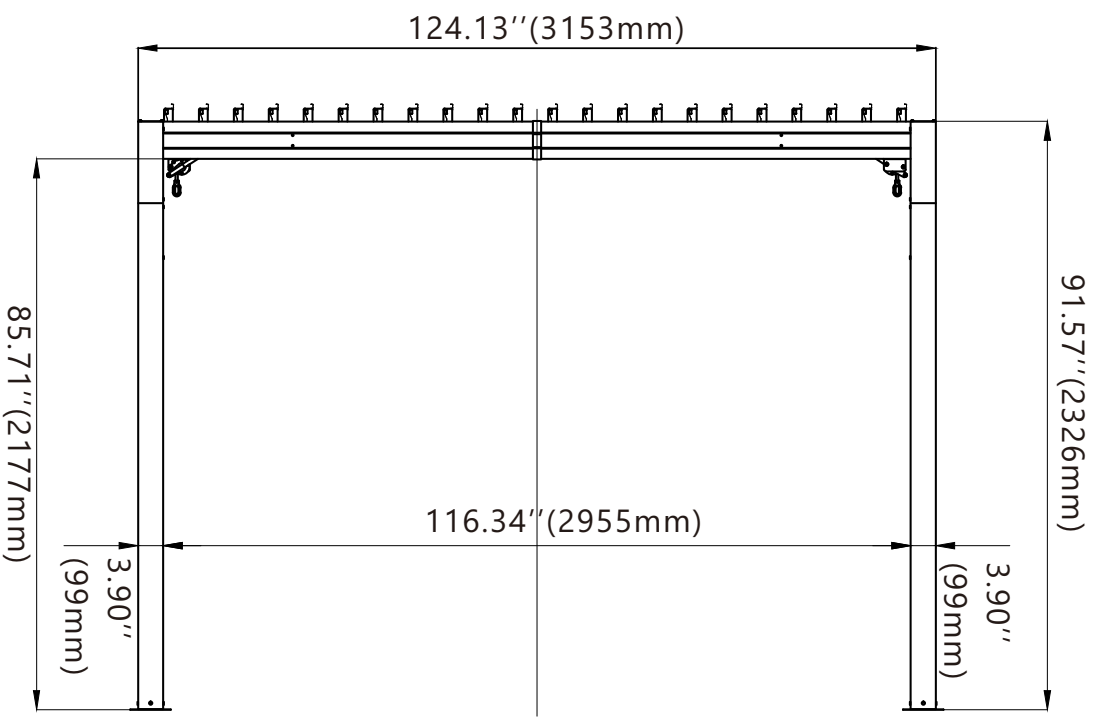


Please wear a safety hat.

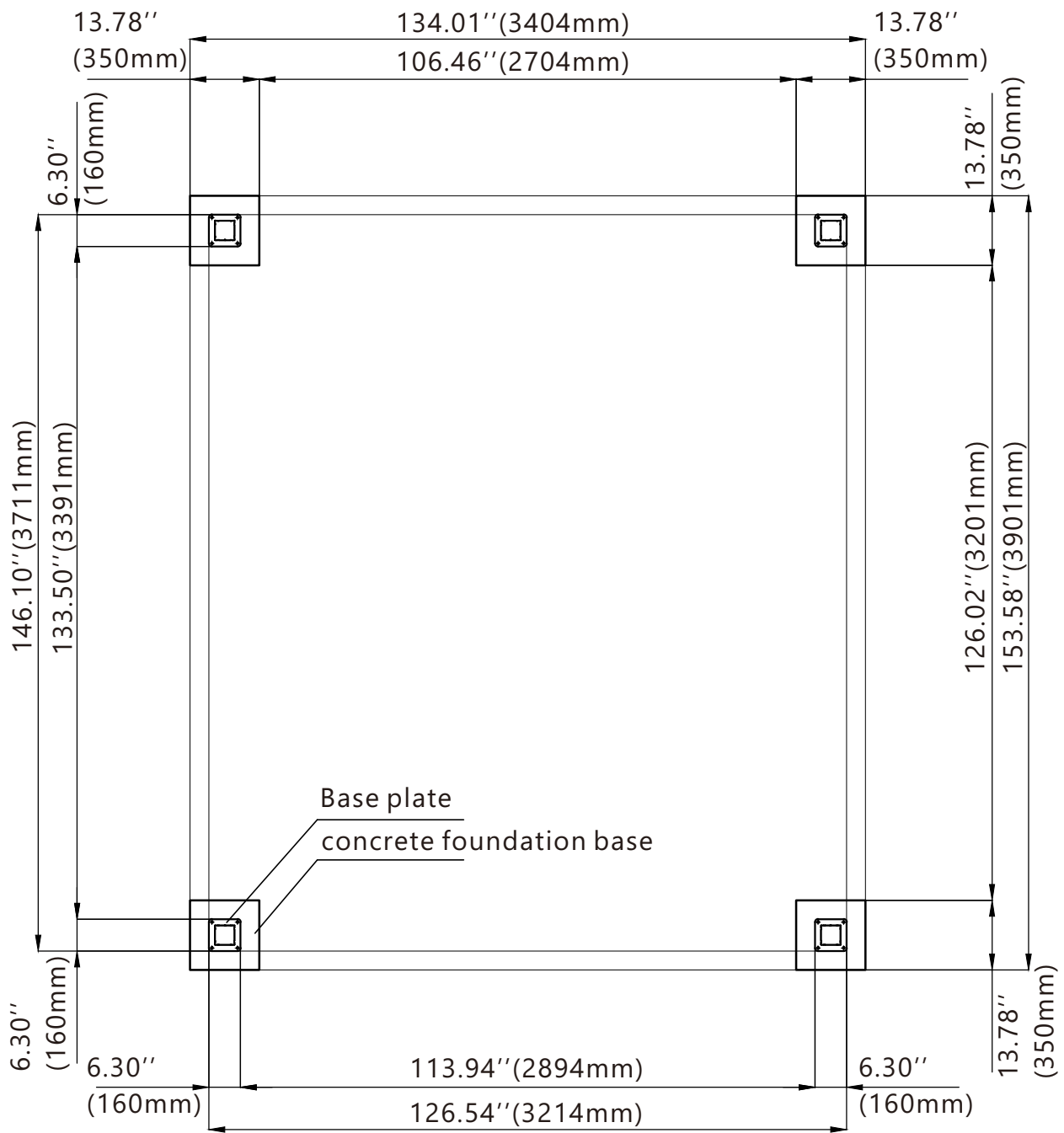


You may need prepare a drill.

10'x12' Louvered Pergola Dimension



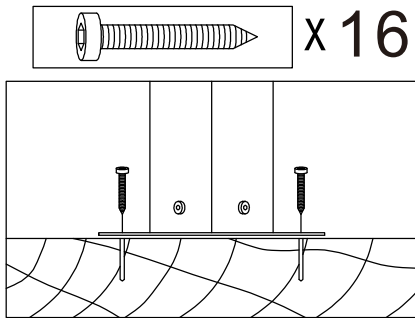
LGCF1762
10'x12'



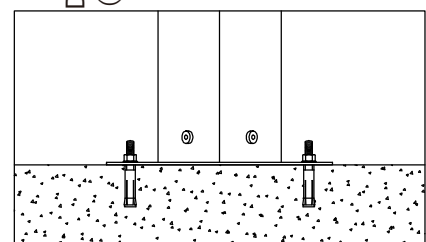
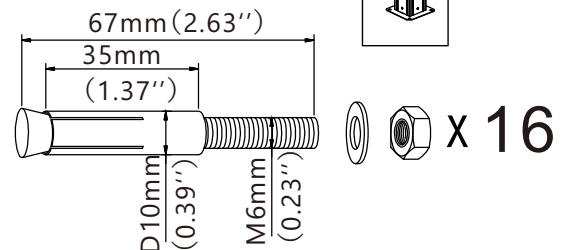
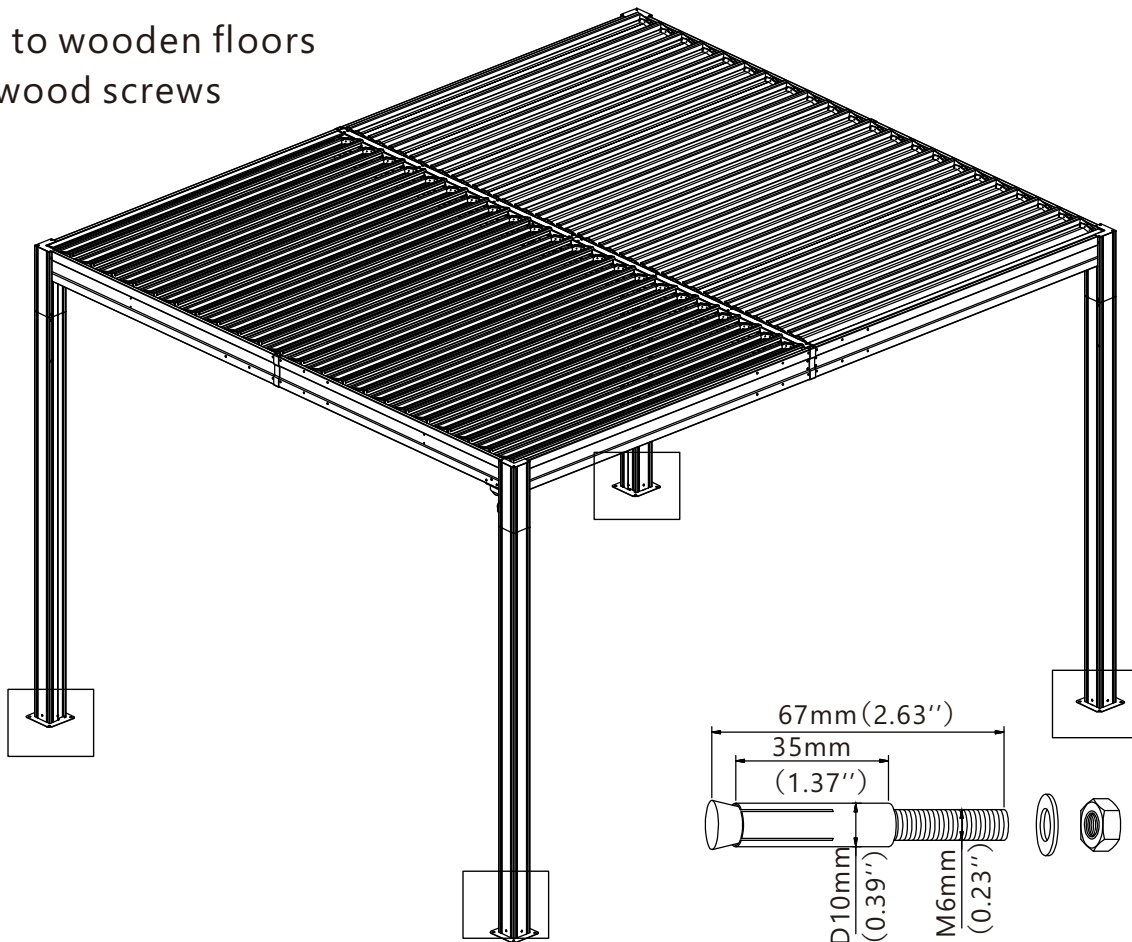
Foundation Mounting Drawing

1762 (10X12) – Foundation Mounting Drawing

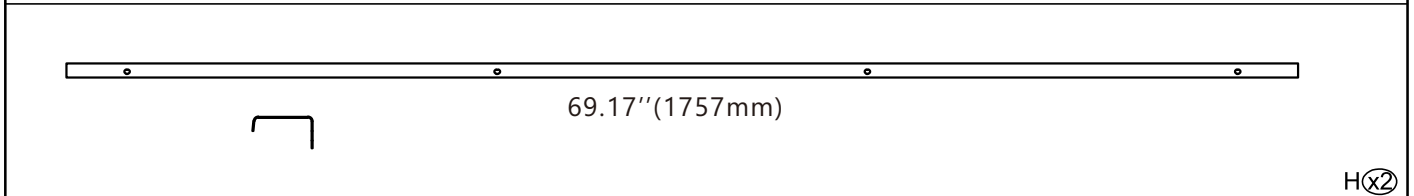
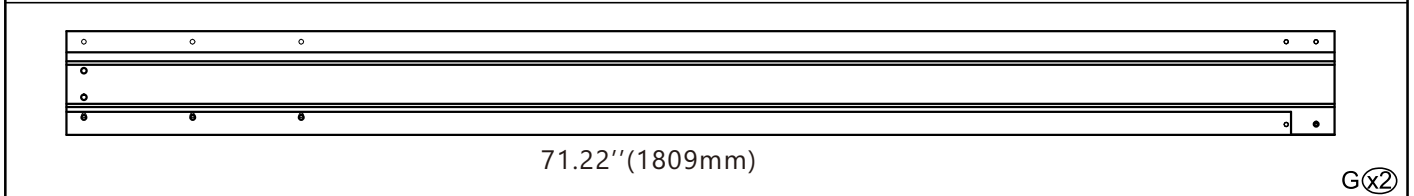
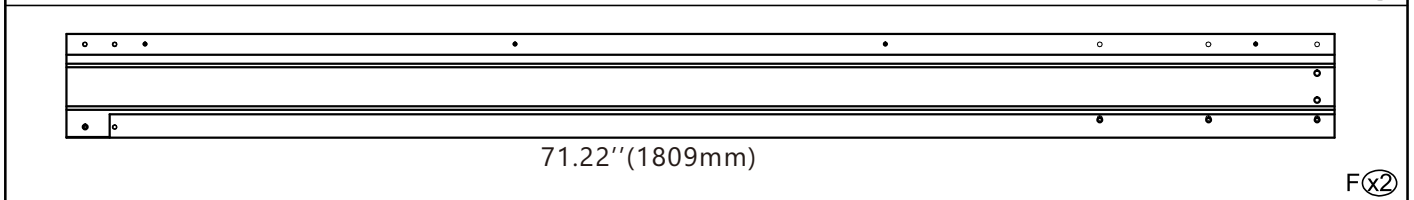
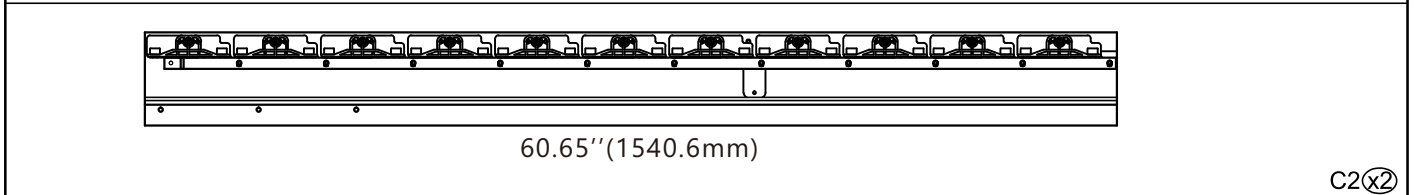
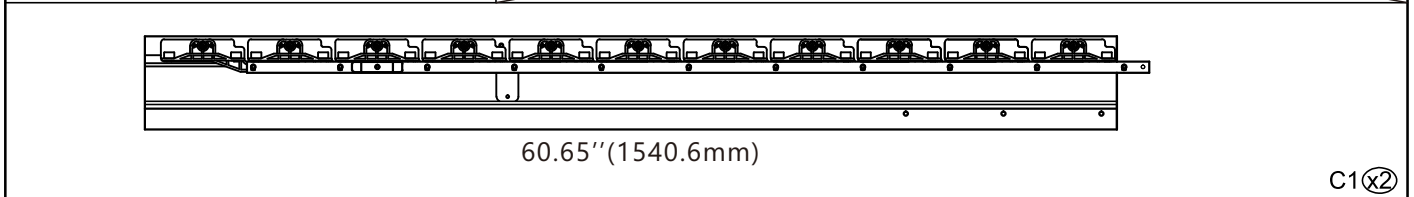
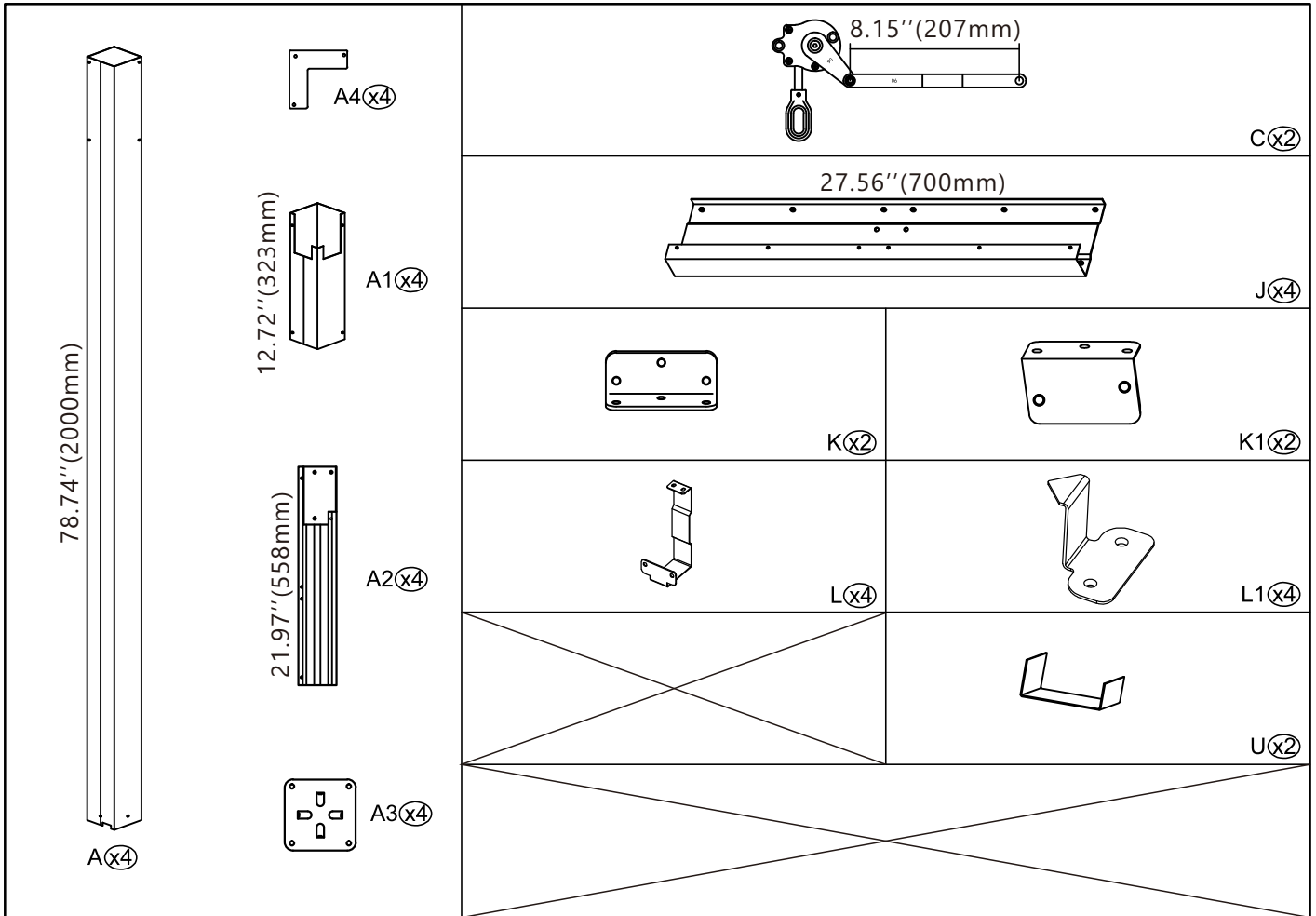
This warranty does not cover products subject to inappropriate installation. Caution: The base plate of the pergola must be mounted on a concrete foundation with a thickness of over 3 inches using expansion bolts. DO NOT substitute expansion bolts with ordinary screws.

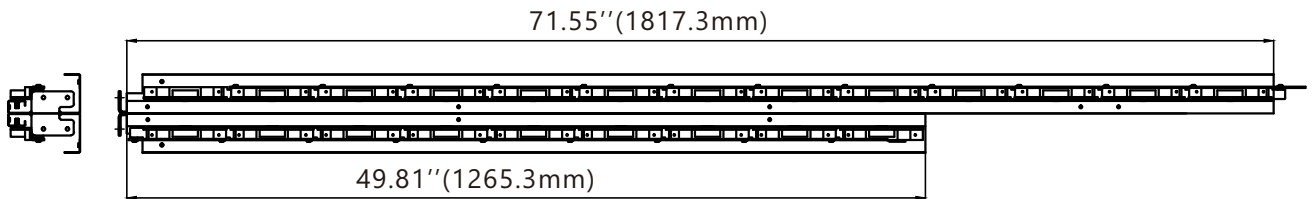


Fixed to wooden floors with wood screws

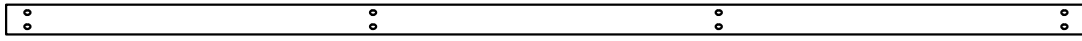


Fixed to concrete foundations with expansion tube screws



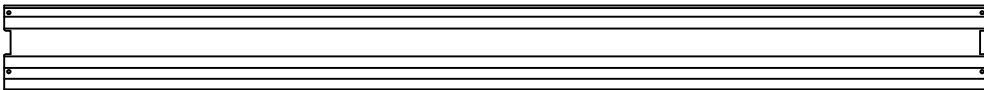


M1(x2)



60.59''(1539mm)

N(x2)

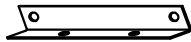


69.19''(1757.4mm)

P(x44)



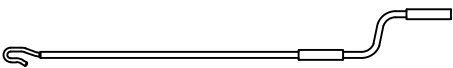
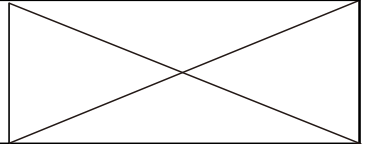
M(x2)



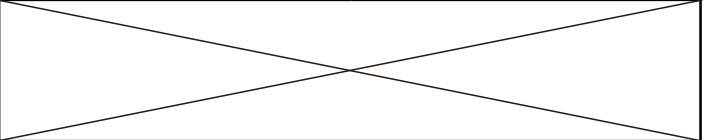
Q(x2)

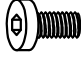

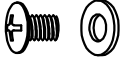

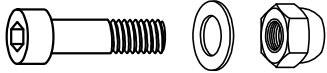


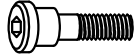


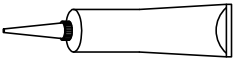
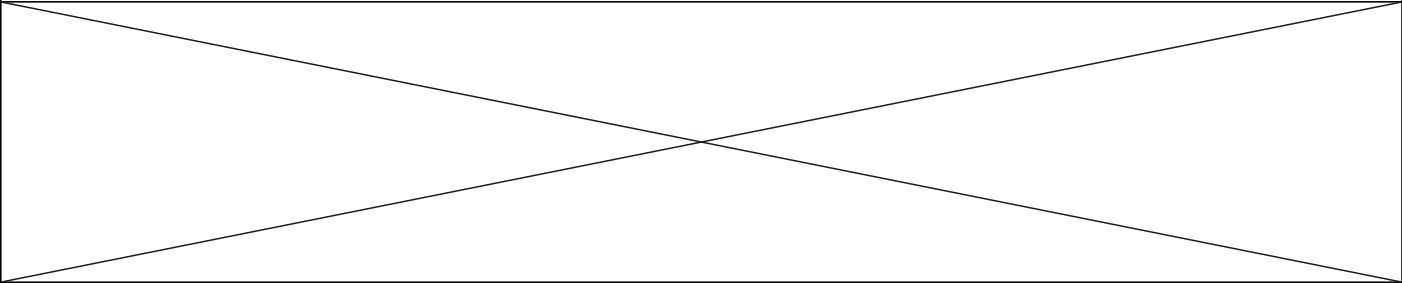



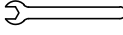
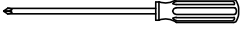


R(x88)

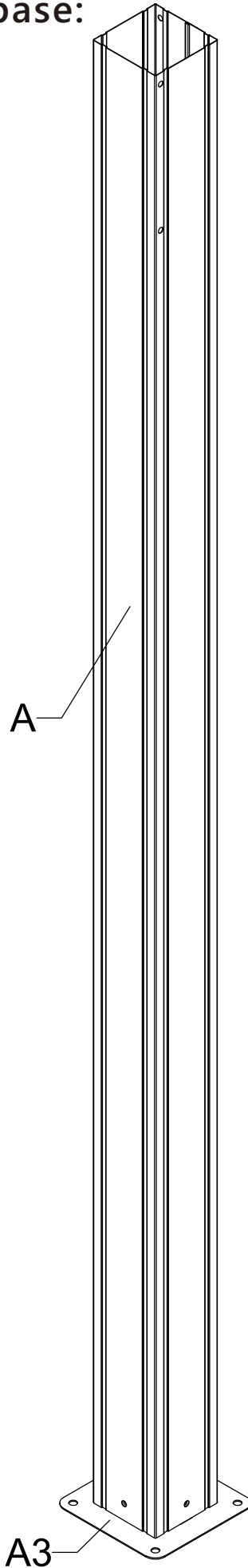
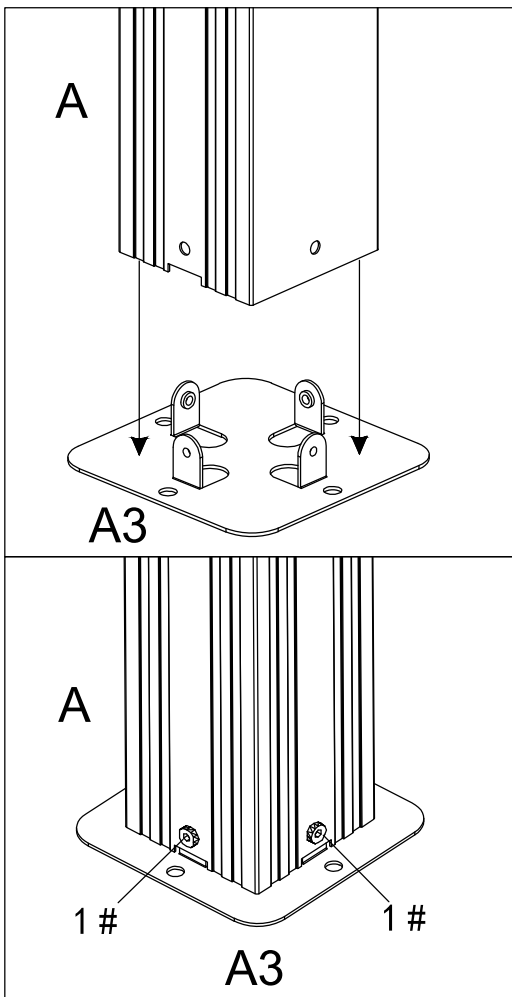
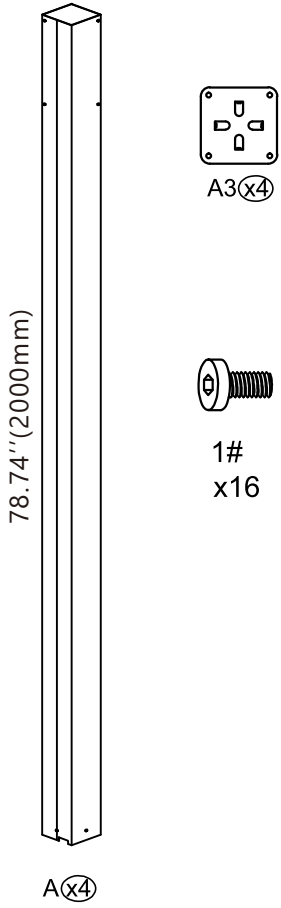


Z(x1)

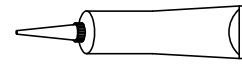
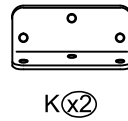
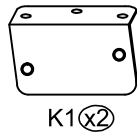
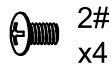
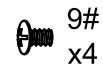
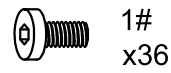
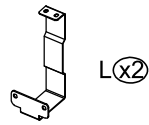


| | | | | |
|--|--|---|--|--|
|  | M6x12 | 1# x164 | | |
|  | M5x8 | 2# x52 | | |
|  | M6x8 | 3# x4 | | |
|  | ST4.2x16 | 4# x12 | | |
|  | M8x32 | 5# x4 | | |
|  | M6 | 6# x2 | | |
|  | Plastic gaskets | 7# x2 | | |
|  | | 8# x2 | | |
|  | 4x6 | 9# x184 | | |
|  | ST3.5x16 | 10# x176 | | |
|  | Silicone sealant | 11# x3 | | |
|  | | | | |
|  S6 x1 |  S4 x1 |  S10 x1 |  S13 x1 |  x1 |

Assemble the base:

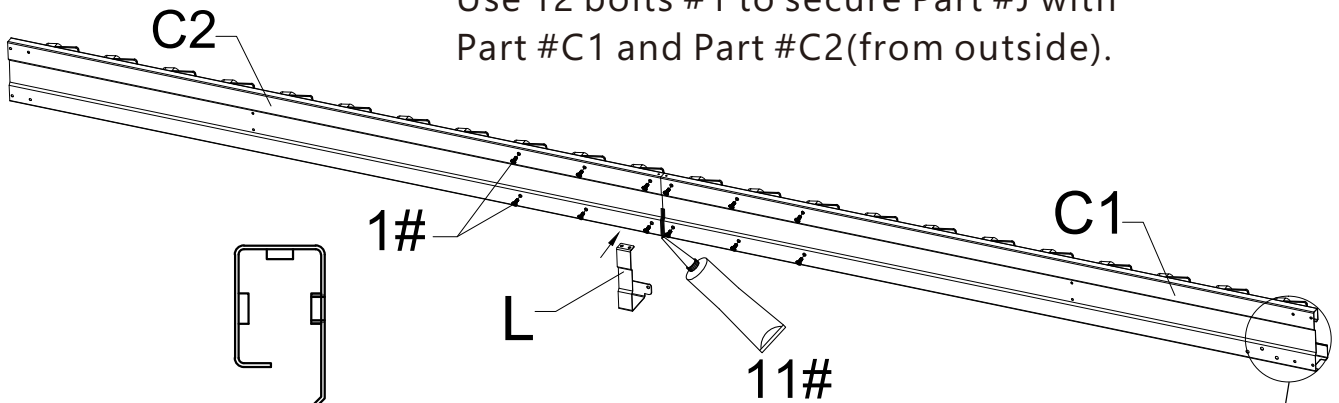


X4



11#

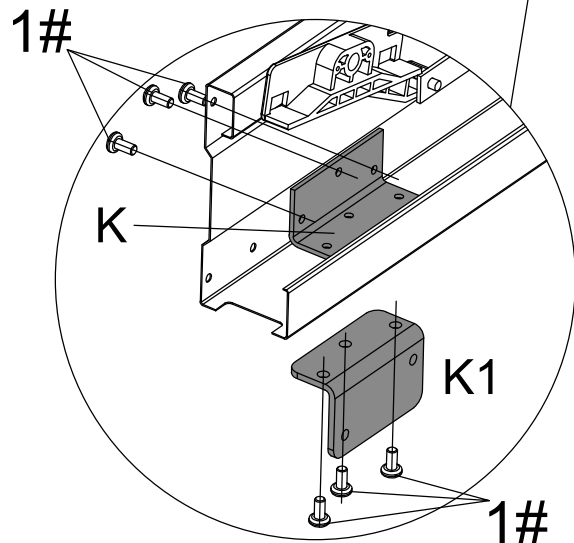
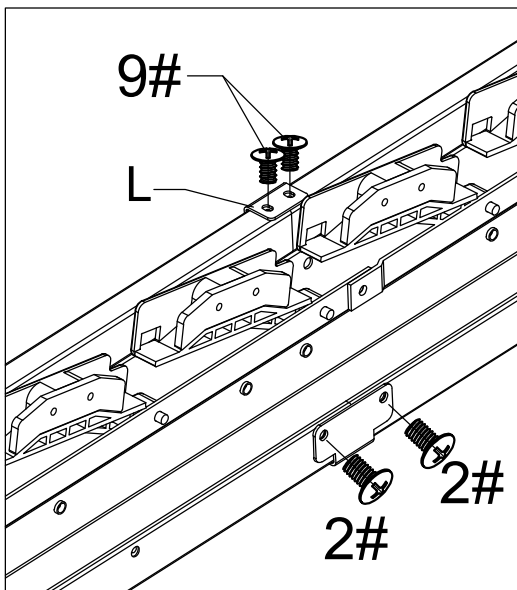
Use 12 bolts #1 to secure Part #J with Part #C1 and Part #C2 (from outside).



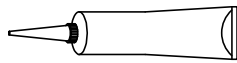
Use Silicone sealant to affix the gap between the two beams.

Repeat above procedures to assemble another side.

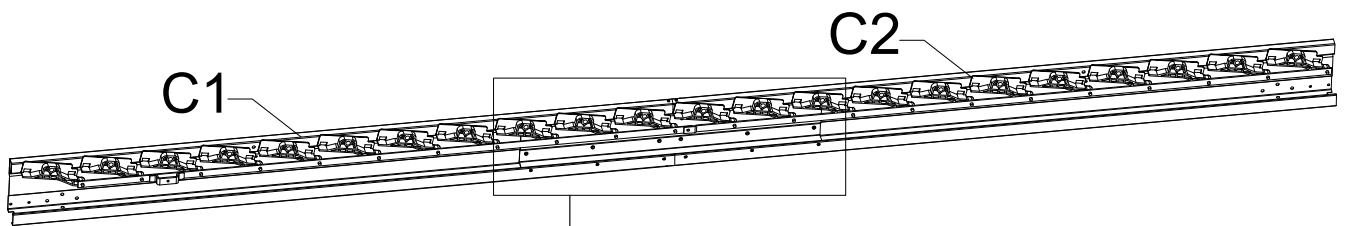
Cover the gap with Gap Cover #L, secure with 2 bolts #9 and 2 bolts #2 as shown.



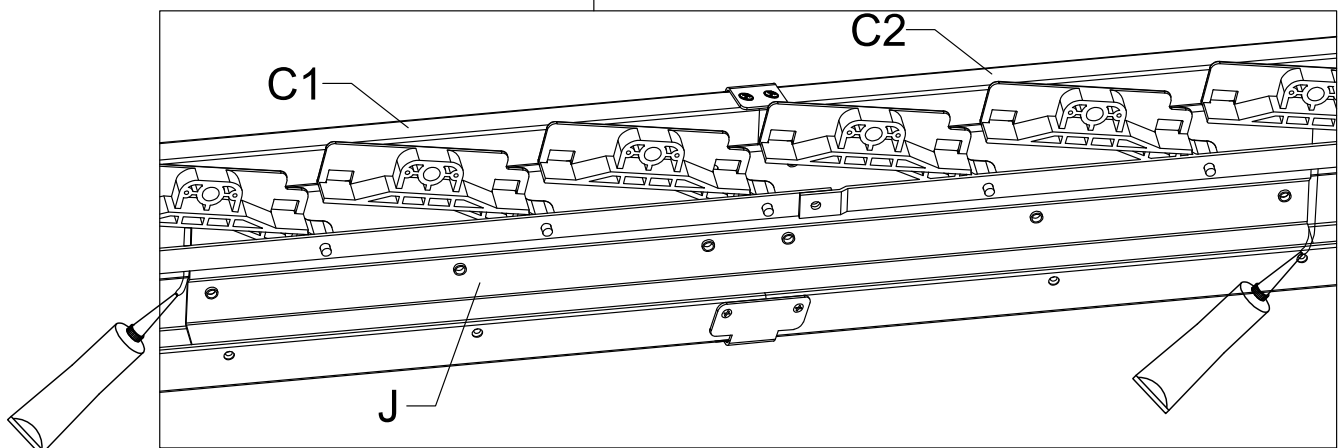
Use 3 bolts #1 to secure part #K, align the holes, use 3 bolts #1 to secure part #K1 to the beam with part #K.



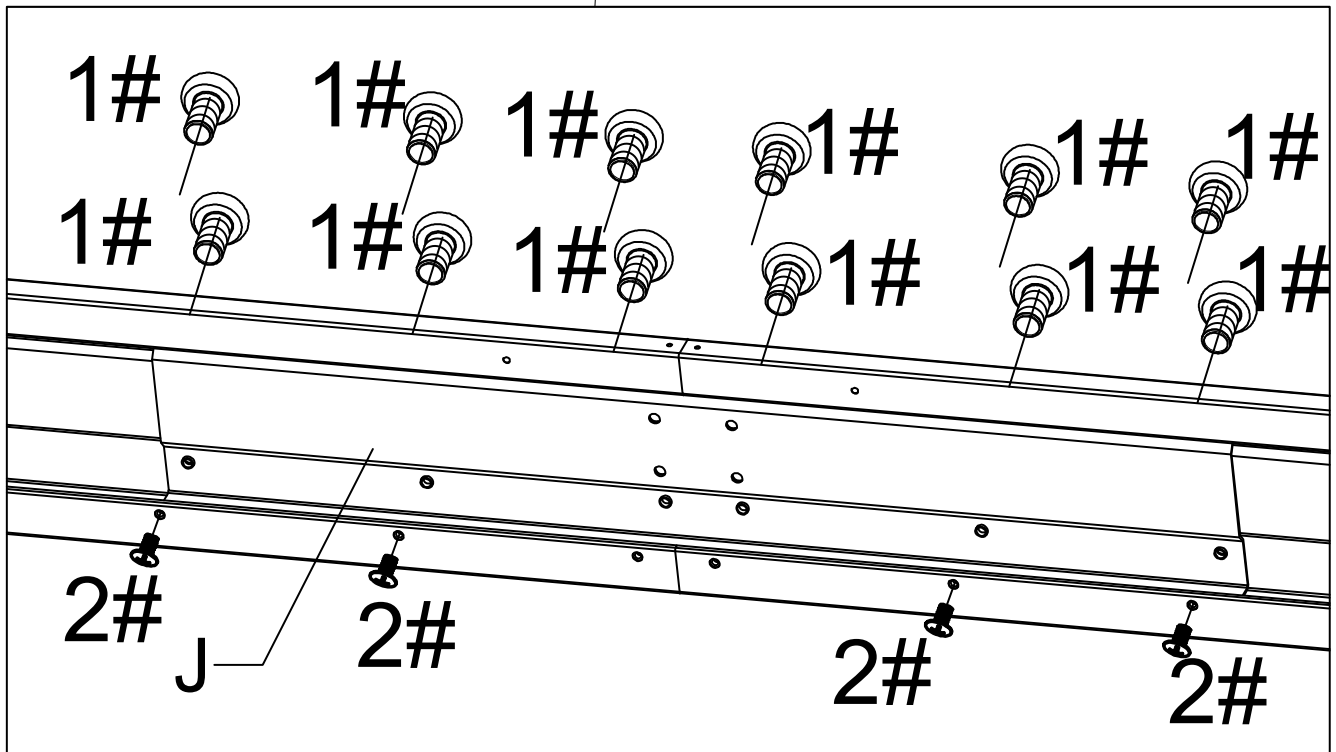
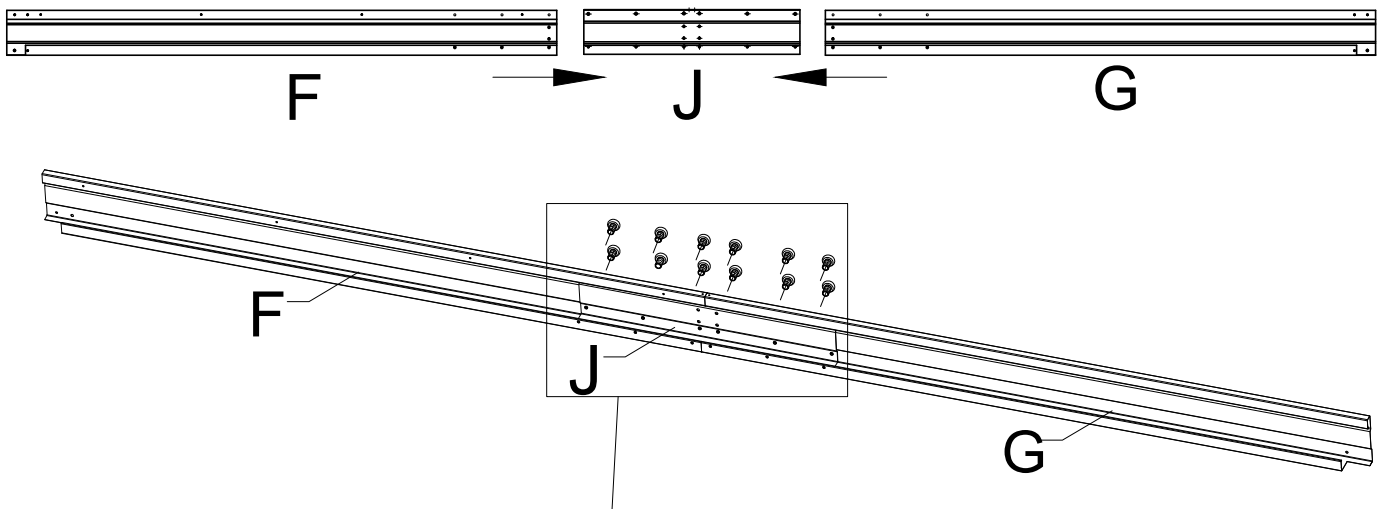
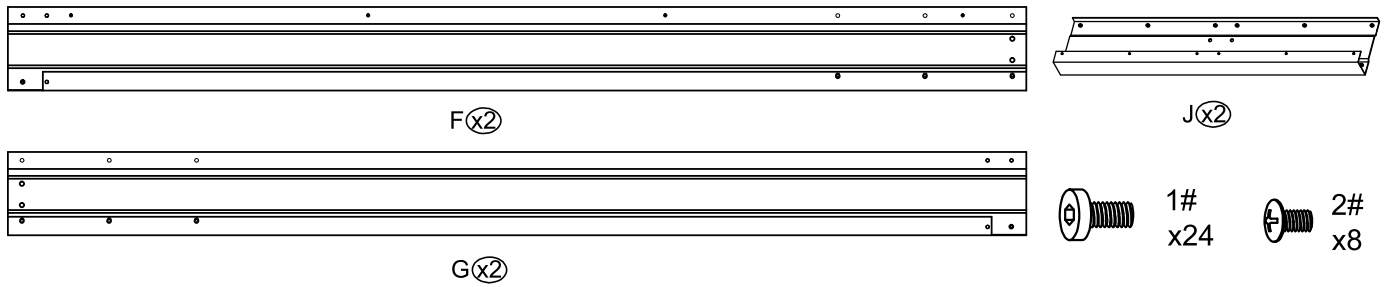
11#



Inside View



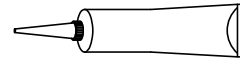
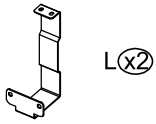
Seal both ends of the beam connector #J with sealant.



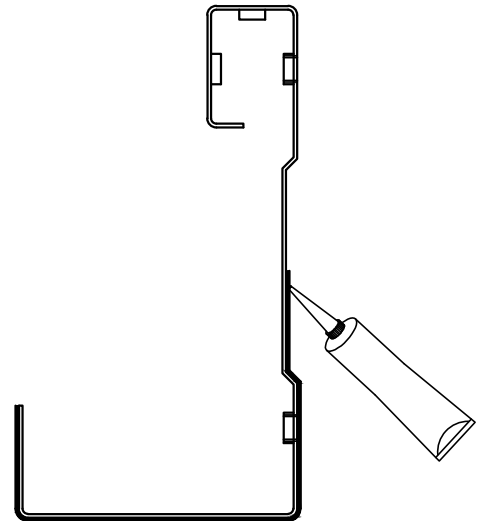
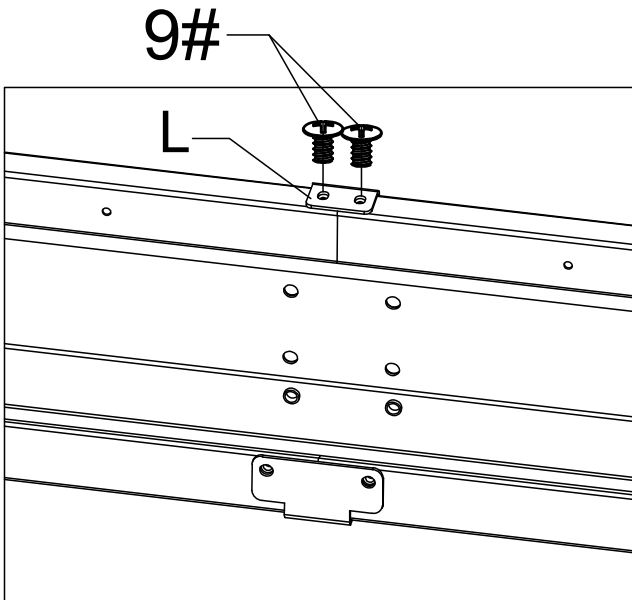
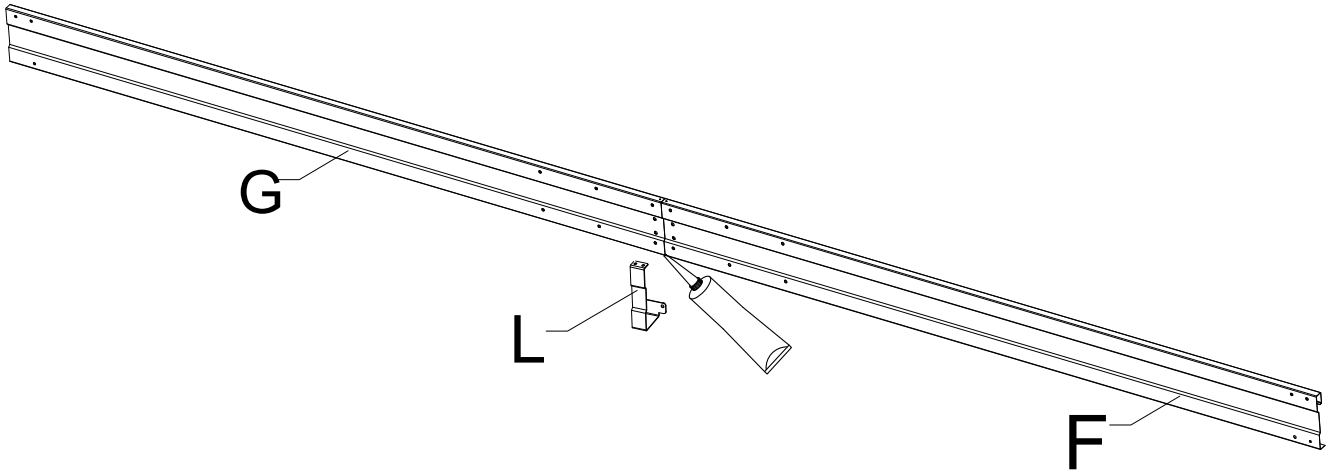
Insert Part #J into Part #F and #G.

Align the holes, use 4 bolts #2 to secure Part #J with Part #F and Part #G (from inside). Use 12 bolts #1 to secure Part #J with Part #F and Part #G (from outside).

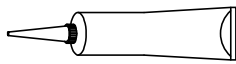
Repeat above procedures to assemble another part.



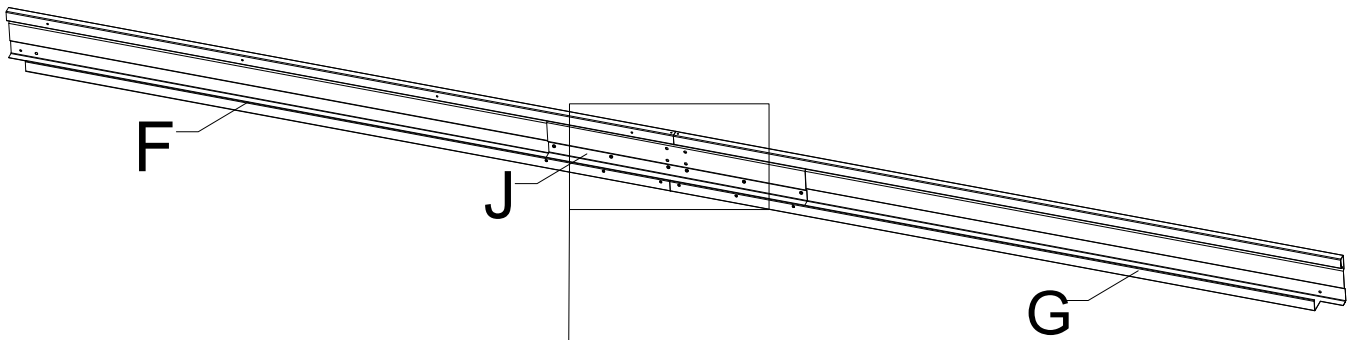
11#



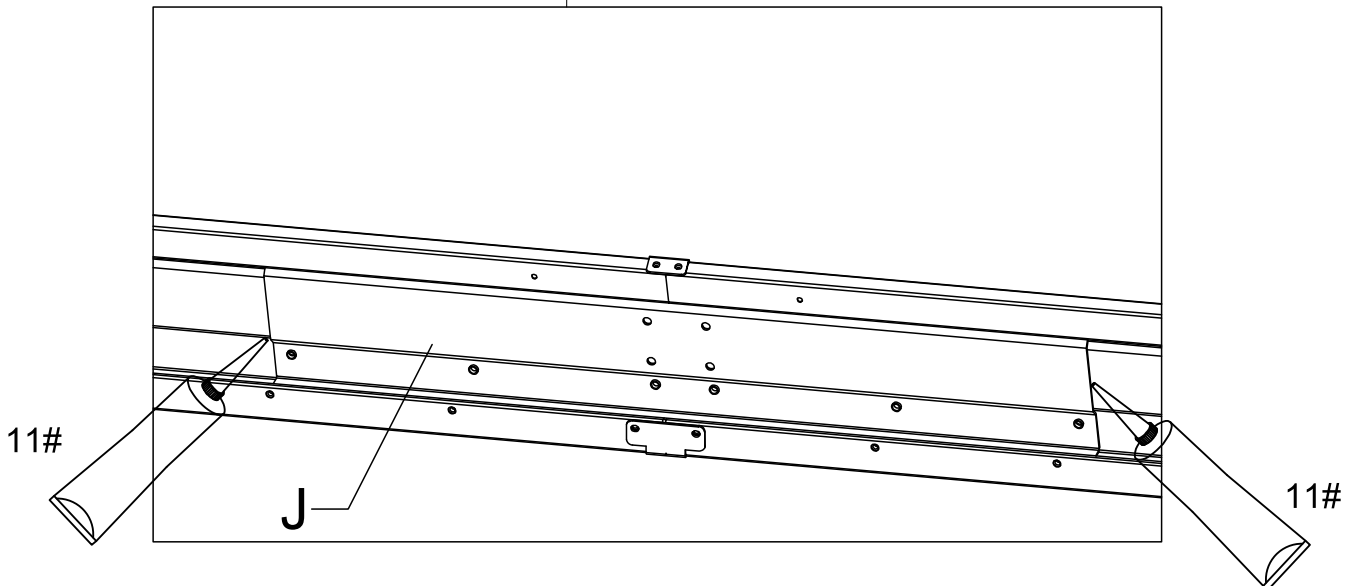
Use Silicone sealant to affix the gap between the beams.
Cover the gap with Gap Cover #L, secure with bolts #9.



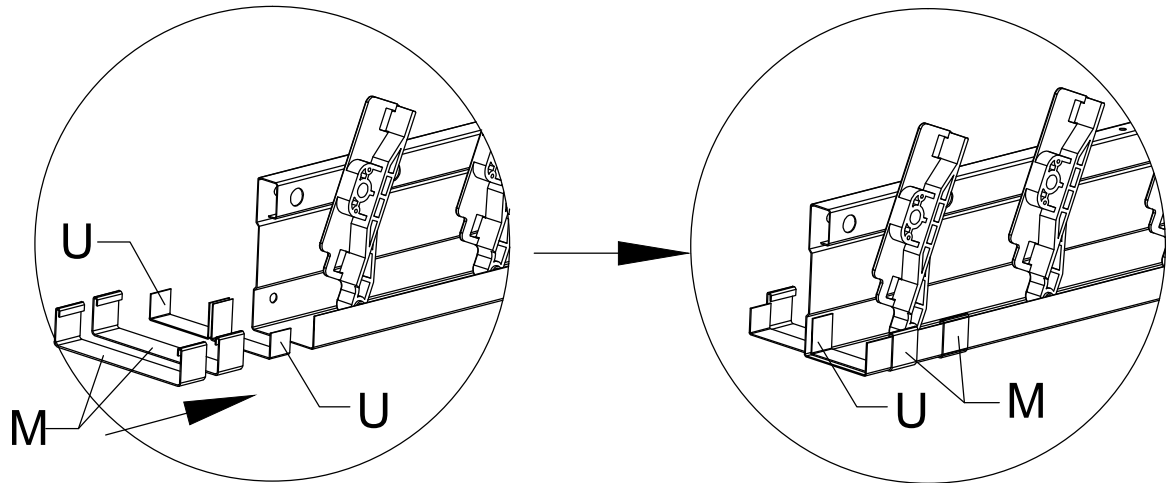
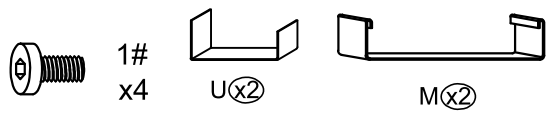
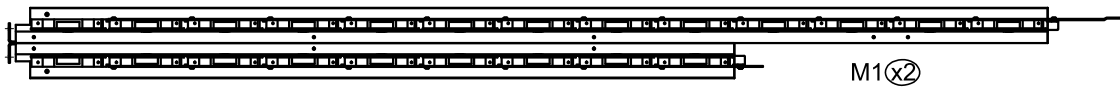
11#



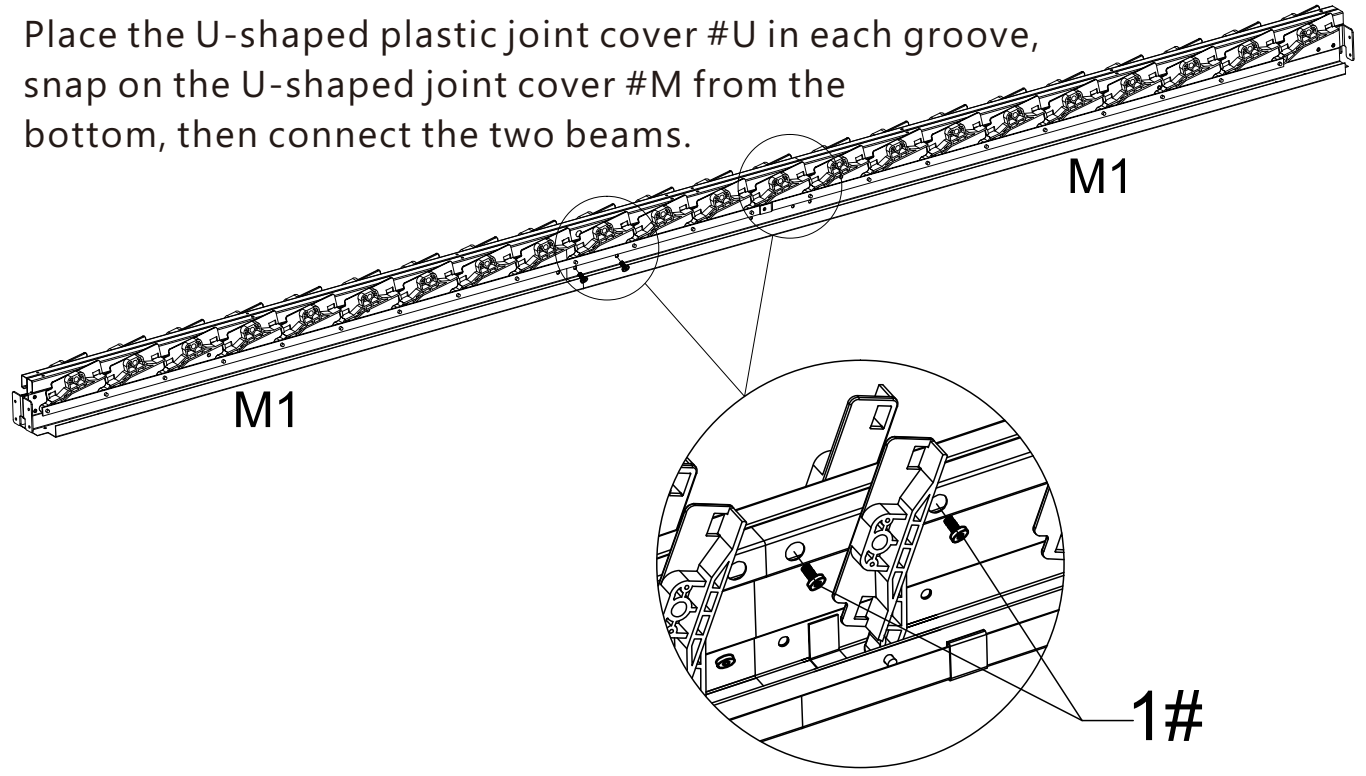
Inside View



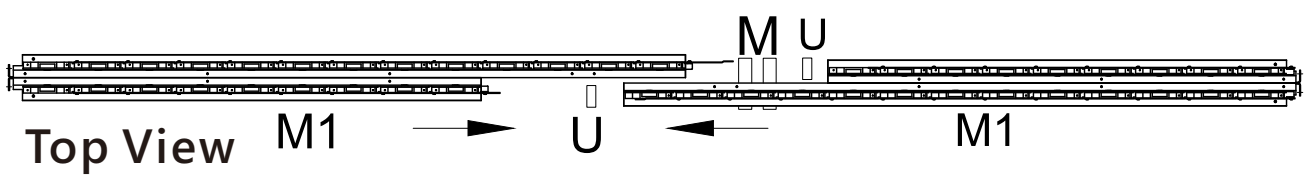
Seal both ends of the beam connector #J with sealant.

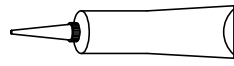


Place the U-shaped plastic joint cover #U in each groove, snap on the U-shaped joint cover #M from the bottom, then connect the two beams.



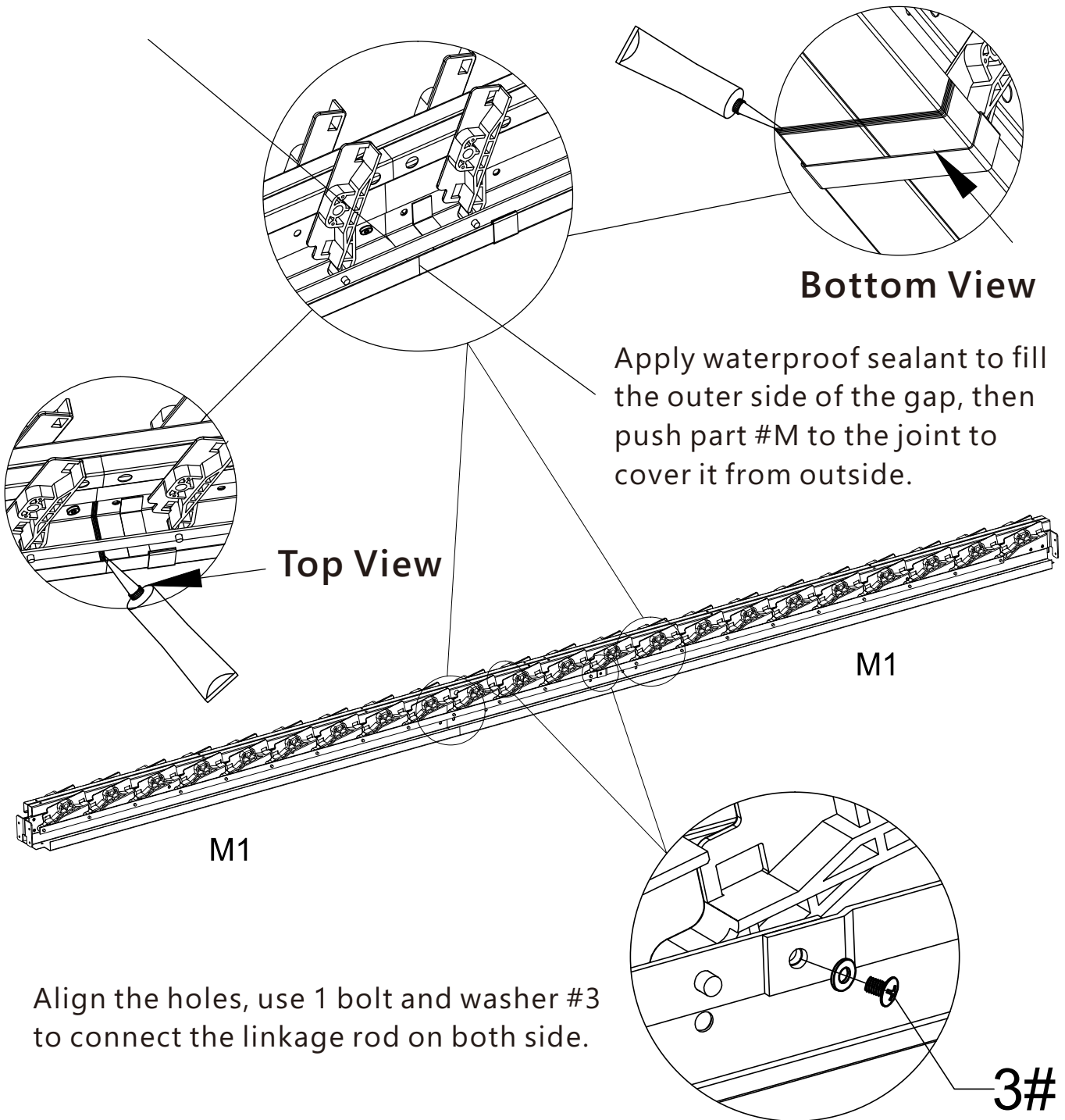
Use 4 bolts #1 to secure the 2 beams(the upper).



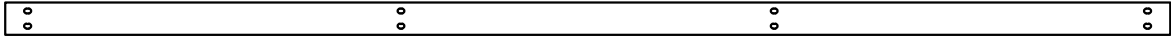


11#

Apply waterproof sealant to fill the inner side of the gap, then push part #U onto the joint to seal it.



Align the holes, use 1 bolt and washer #3 to connect the linkage rod on both side.



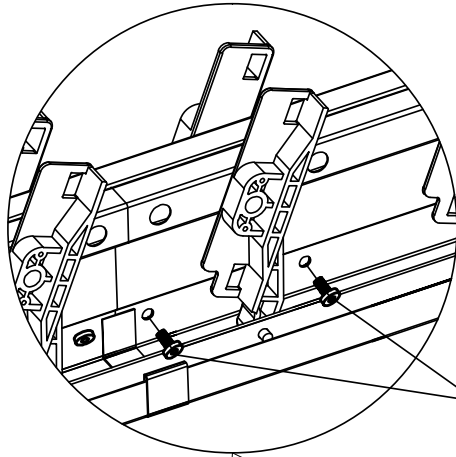
N(x2)



1#
x4



2#
x16



1#

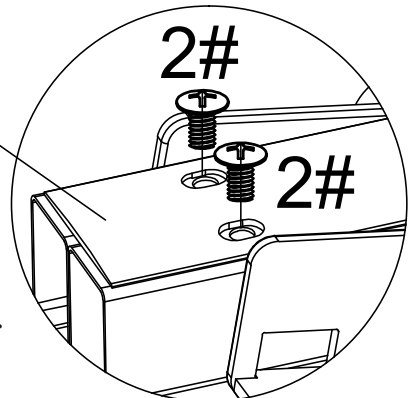
Use 4 bolts #1 to secure the 2 beams (the under).

M1

M1

N

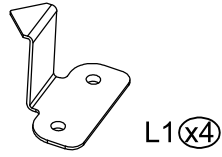
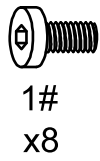
N



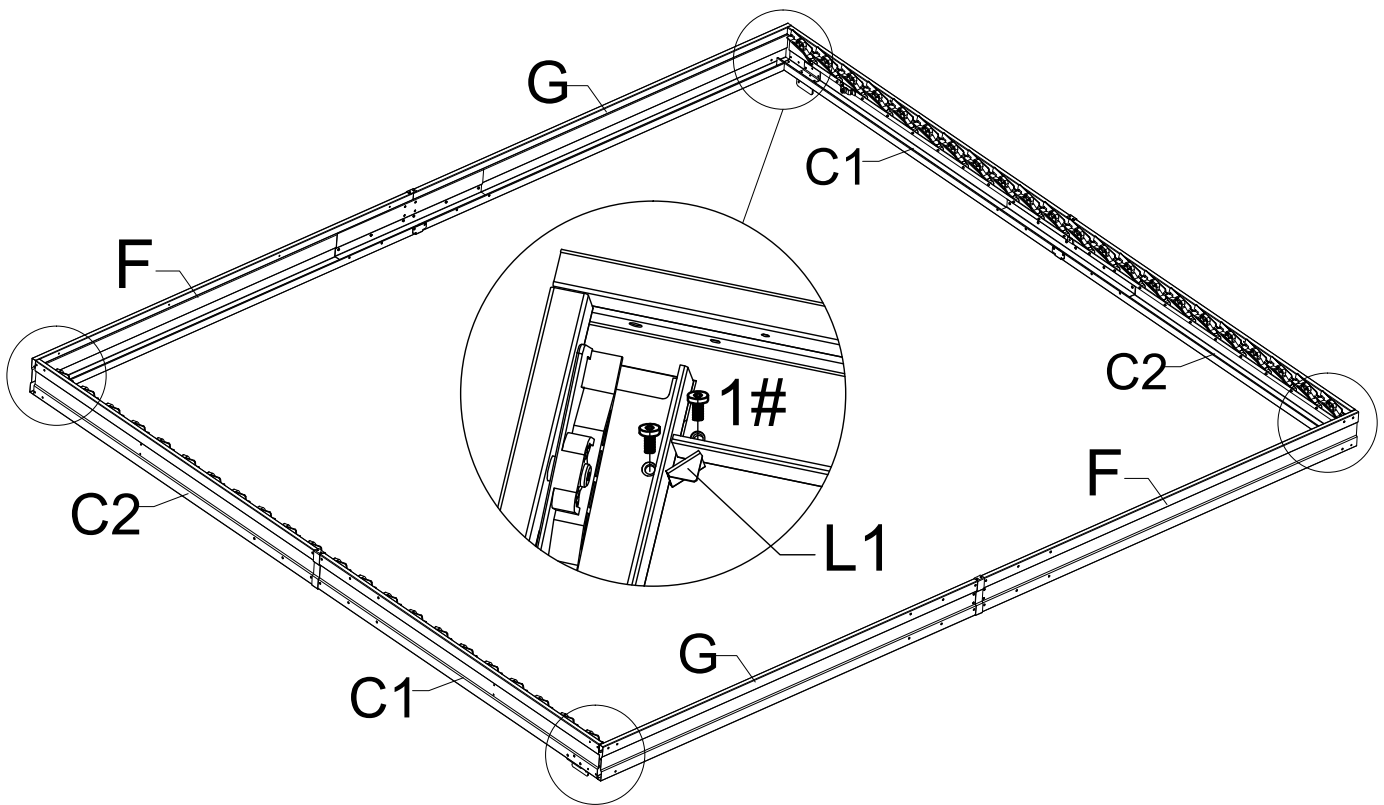
2#

2#

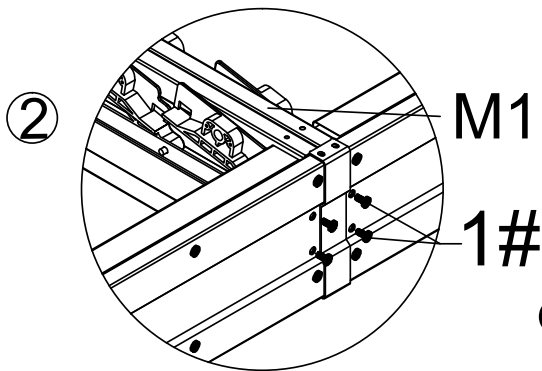
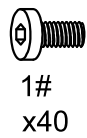
Place Gap Cover #N on the beam , align the holes and fix with 16 bolts #2.



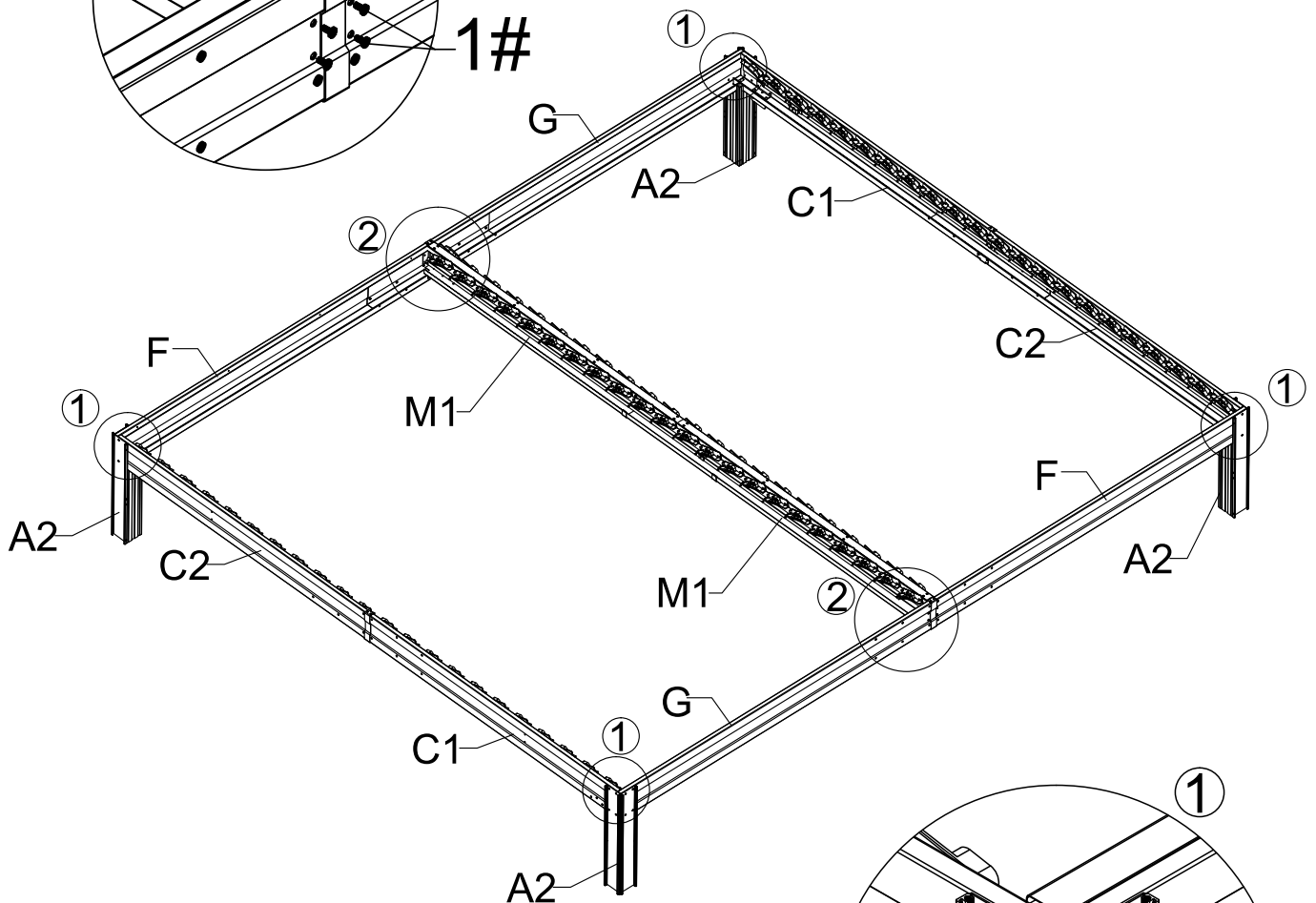
Attention: Before assembling the beams, ensure that all the Linkage Rods are facing down and the plastic pieces are facing up.



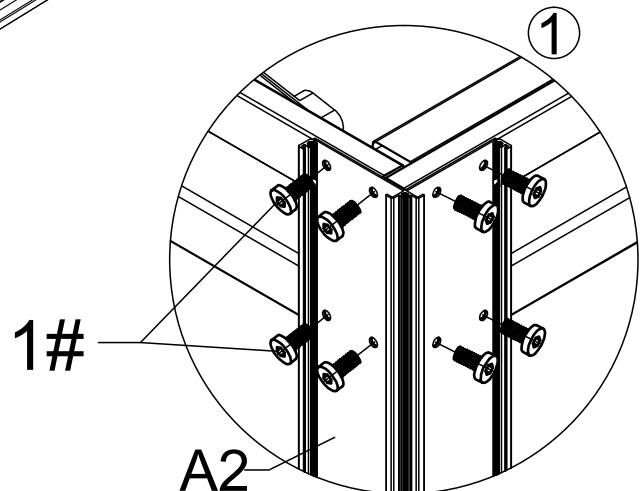
Connect the beams as shown, align the holes and use bolts #8 and brackets #L1 to secure each corner.

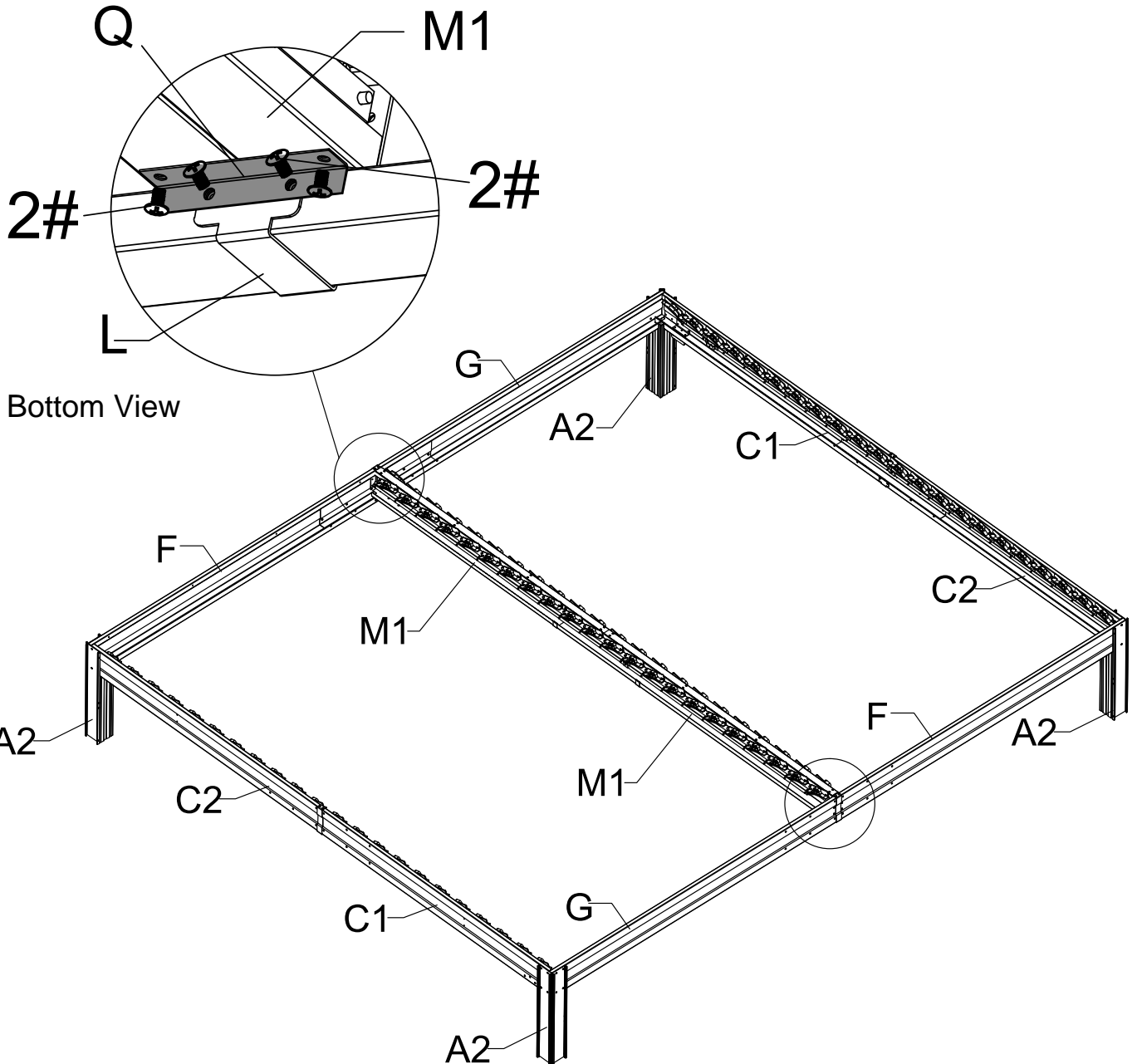
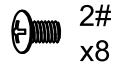
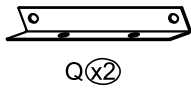


②: Use 4 bolts #1 to fix the beam #M1 #as shown. Repeat above procedures to assemble the another side.

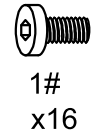
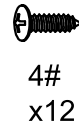
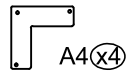
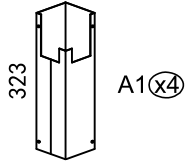


①: Use 8 bolts #1 to secure the connector #A2 to each corner of the beam. Repeat above procedures to assemble the other 3 sides.

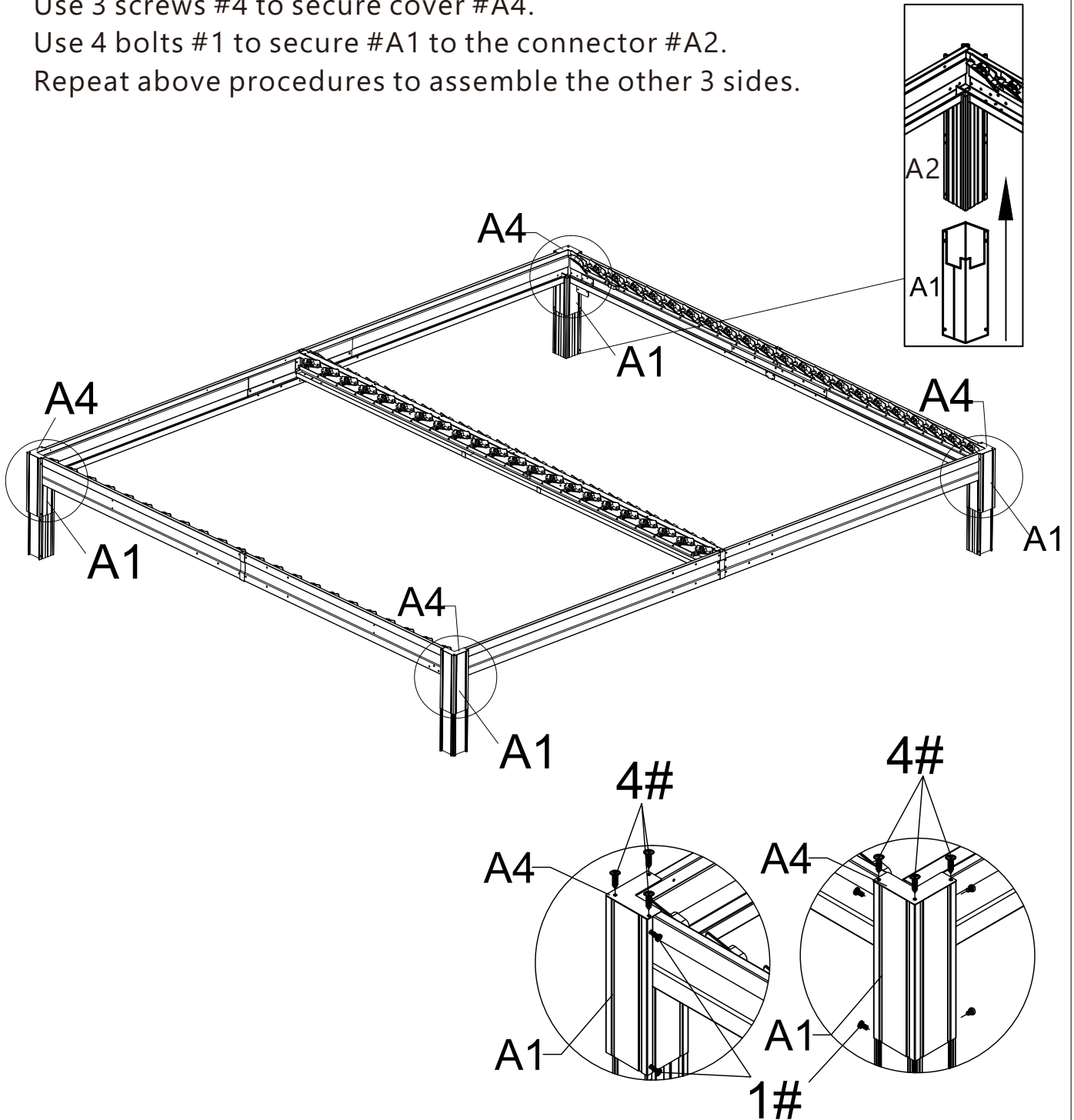




Use 2 bolts #2 to secure the connector #Q to the beam as shown. Repeat above procedures to assemble another side. Place the beam #M1 onto the connector #Q, align the holes and secure with 2 bolts #2.



Slip over #A1 to the connector #A2 as shown.
Use 3 screws #4 to secure cover #A4.
Use 4 bolts #1 to secure #A1 to the connector #A2.
Repeat above procedures to assemble the other 3 sides.

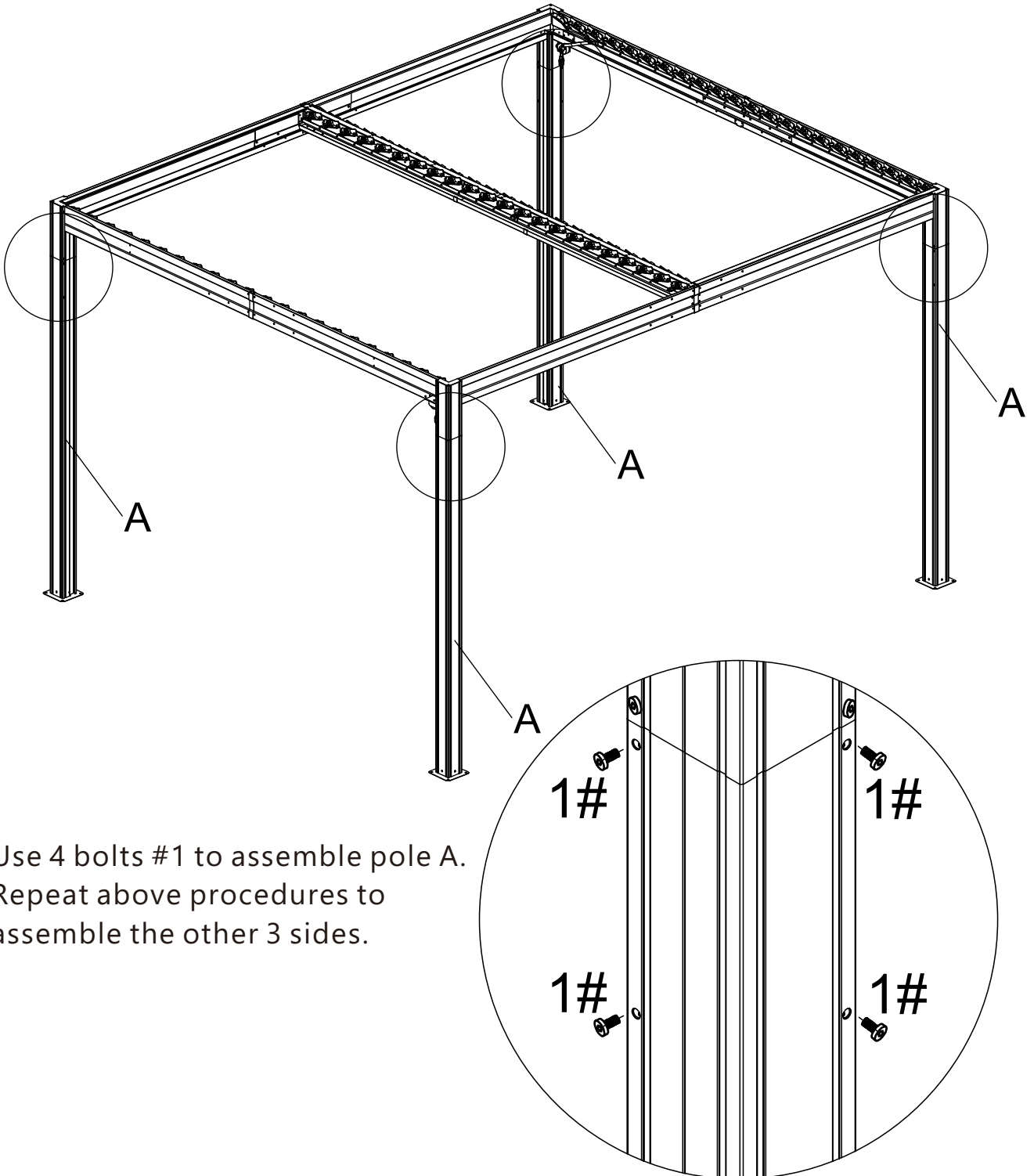


Installation Tip:

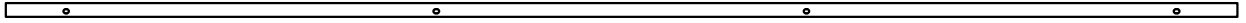


1#
x16

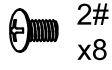
To install parts #A, first lay the crossbeam frame on its side (rotate 90° toward #G-F). Attach poles to one side (#F-G), then flip the frame over to attach poles to the opposite side. Finally, rotate the frame upright.



Use 4 bolts #1 to assemble pole A.
Repeat above procedures to
assemble the other 3 sides.

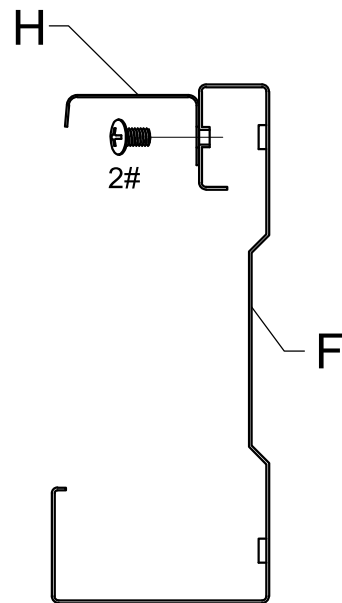
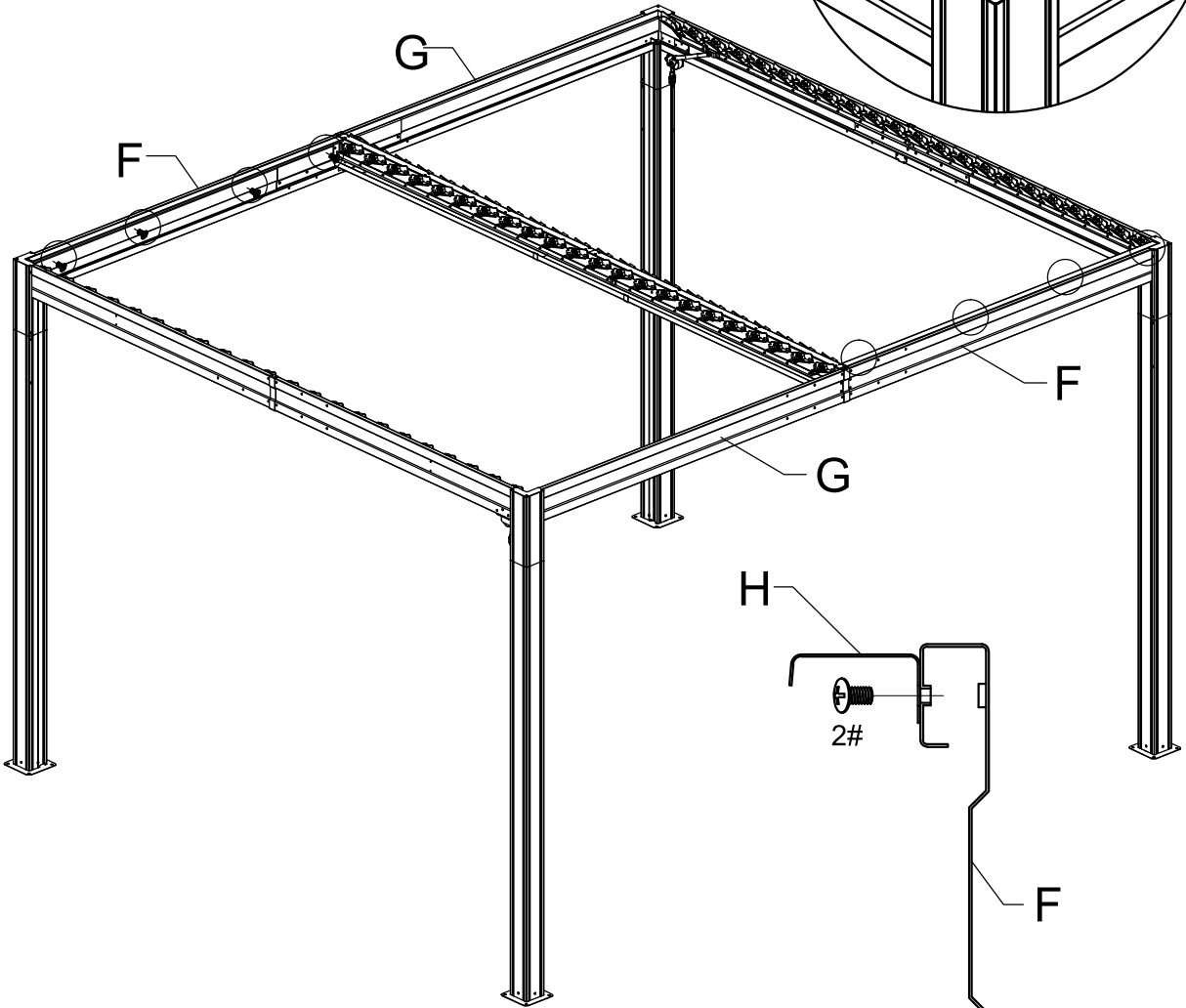
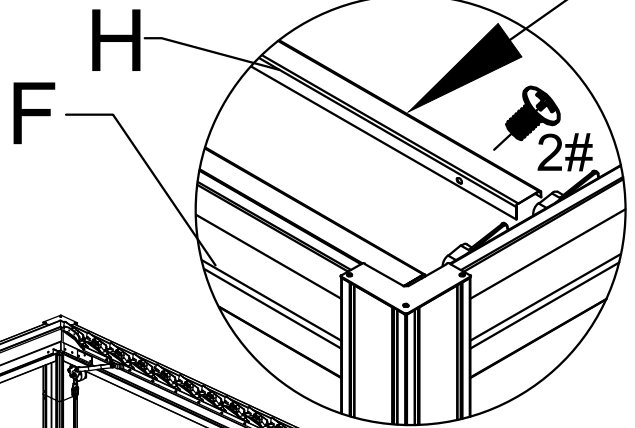


H x 2

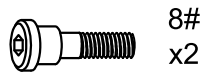
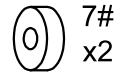
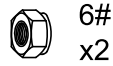
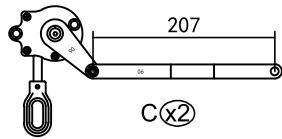


2#
x 8

Use 8 bolts #2 to assemble
Rain Guard #H to the beam #F.



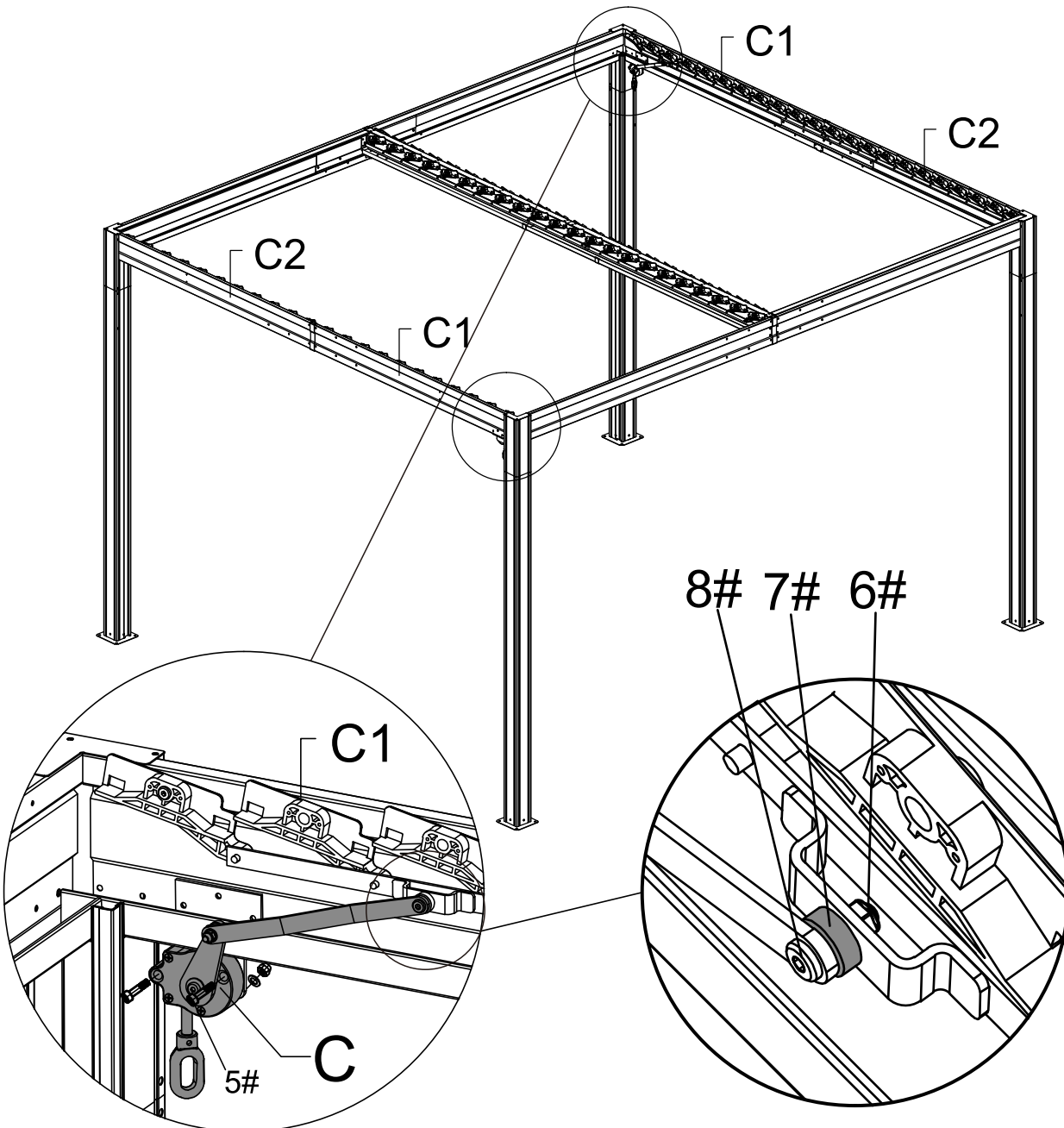
Section View

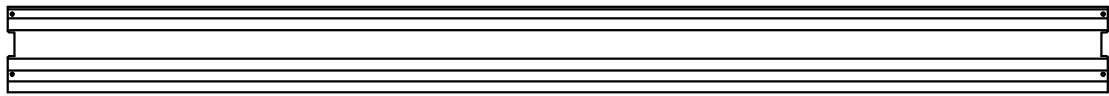


Use 2 bolts, washers and nuts #5 to secure part #C to #K1 (already assembled on beam #C1).

Use 1 Bolt #8, plastic gasket #7 and nuts #6 to secure the rod (on #C) with linkage rod.

Repeat above procedures to assemble another part.

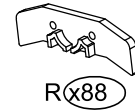




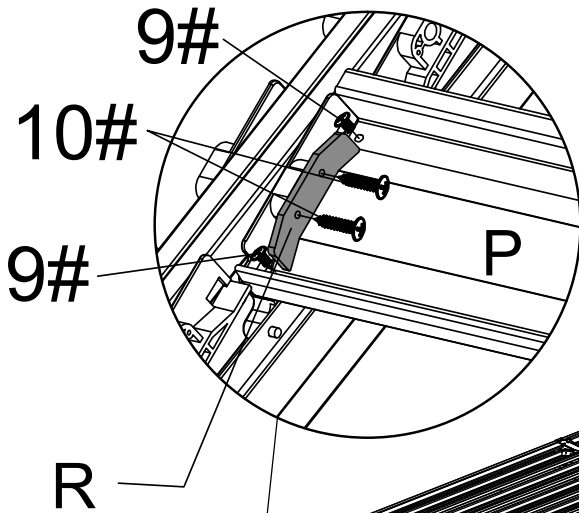
P(x44)

9#
x176

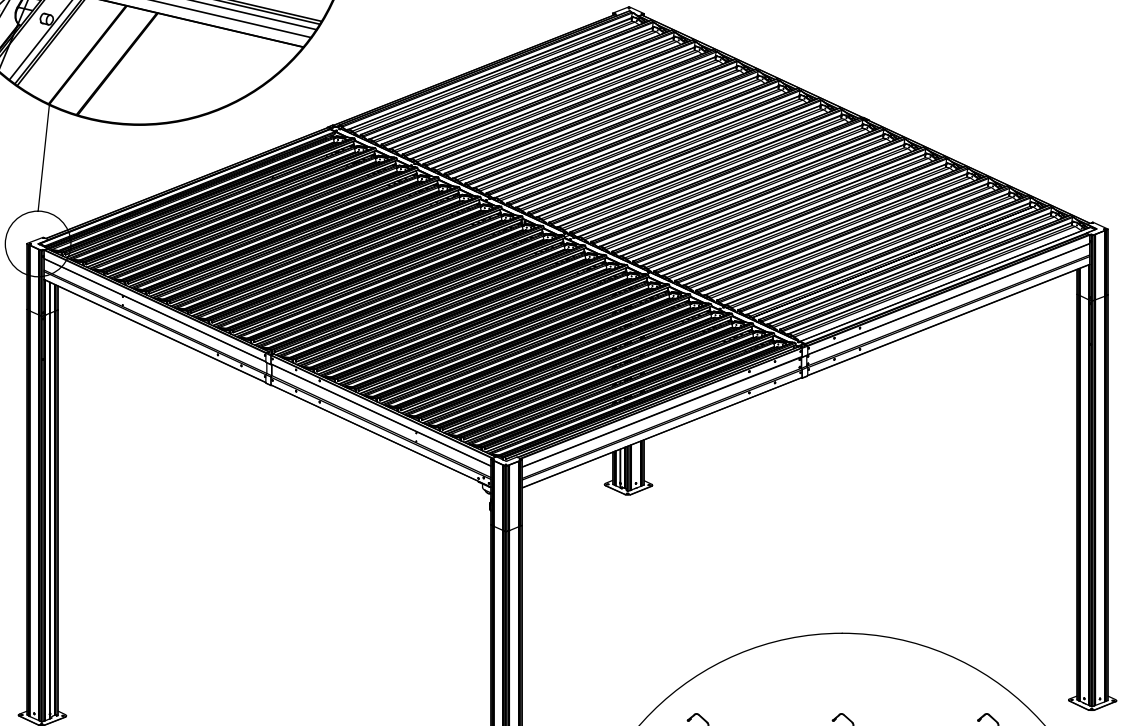
10#
x176



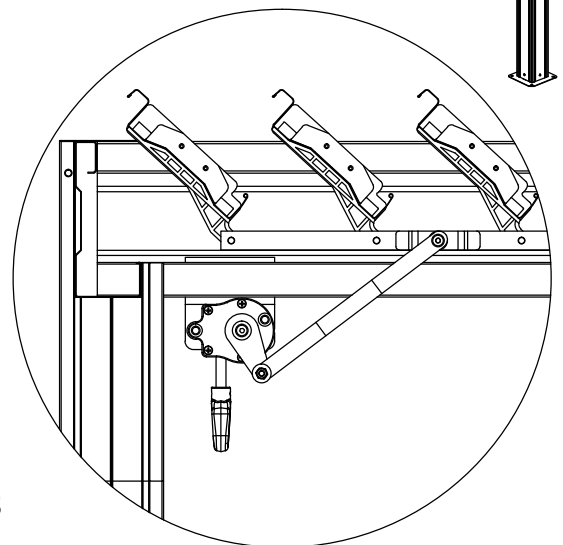
R(x88)



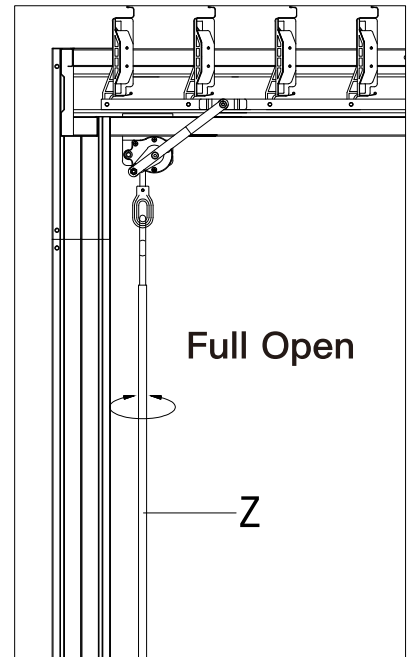
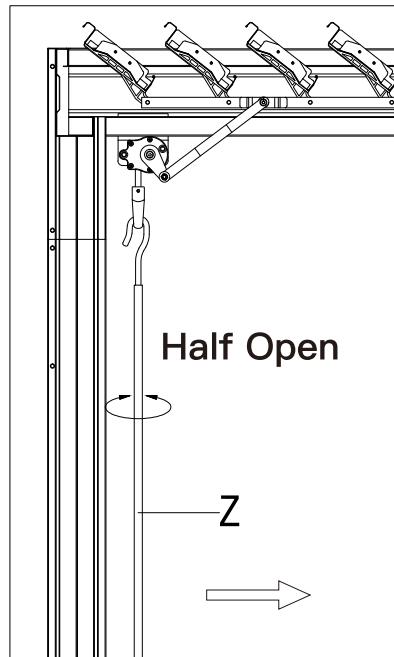
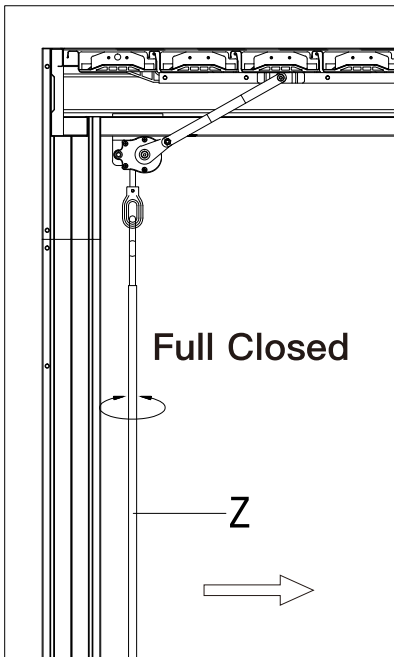
Notice: Open the louvers to prevent snow accumulation when moderate to heavy snow is forecast.



Assemble the louver panels: Place the louver panel #P on the plastic bracket (already assembled in the linkage rod), and secure with 2 screws #9 on each side. Use 2 screws #10 to secure plastic clips #R to the plastic bracket (already assembled in the linkage rod) on each side. Repeat above procedures to assemble the remained louver panels.

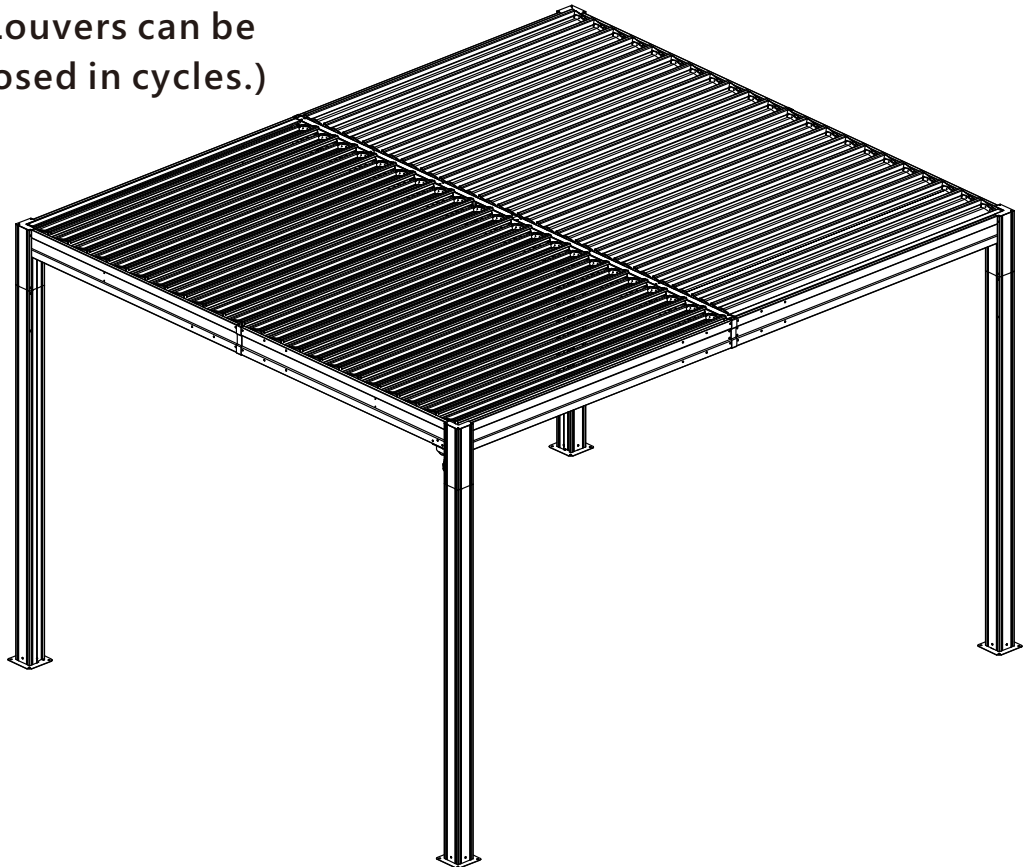


Installation Diagram
of louver panels.



Just shake the roller rod anytime you want let the sun in or block the sunray. If moderate to heavy snow is forecast, pls open the louvers to avoid snow accumulating.

(ATTENTION: Louvers can be opened and closed in cycles.)



 Please confirm the louvers can be fully closed for waterproofness.



Thanks for your purchase.

At domi outdoor living, we believe in our products.

That's why we provide a 12-month warranty and friendly, easy-to-reach after-sales service. So, if you have any questions about our product or assembly, please feel free to contact us. We are here for you.

Support:



After-sales contact email:

service@domioutdoorliving.com

Business cooperation contact email:

marketing@domioutdoorliving.com

Please have your order ID available if you reach out for support.

If you have damaged parts or product, please send us photos for an immediate response.