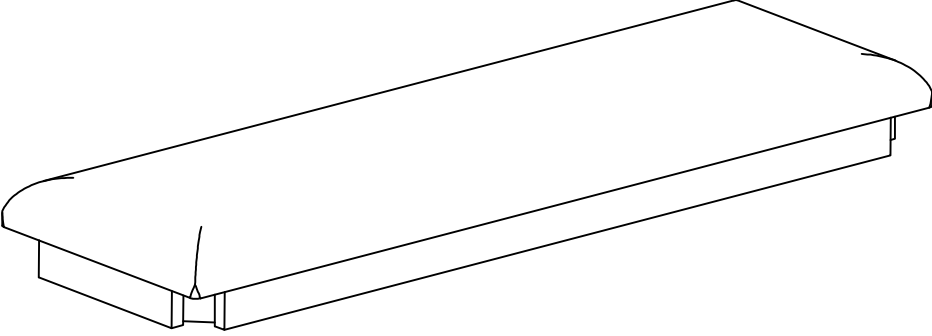
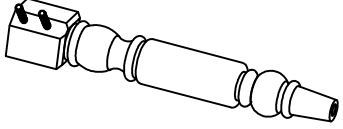
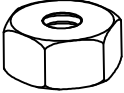
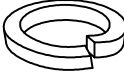
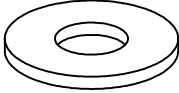
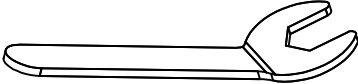


# PART LIST

(A) BENCH TOP (1PC)	(B) LEG (4PCS)
	

## HARDWARE PACK # : PHU500BNH

NO.	DESCRIPTION		DIMENSION	Q'TY
1	Hex Nut		$\Phi 5/16"$ x 12 mm	8 pcs
2	Lock Washer		$\Phi 5/16"$ x 13 mm	8 pcs
3	Flat Washer		$\Phi 5/16"$ x 19 mm	8 pcs
4	Wrench		12 mm	1 pc