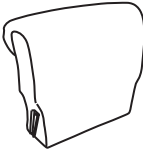
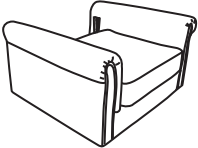


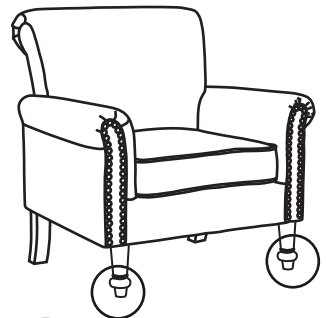
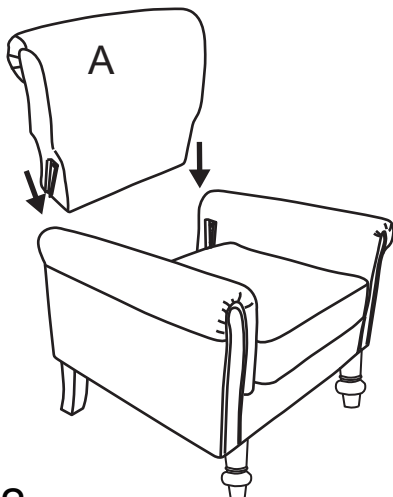
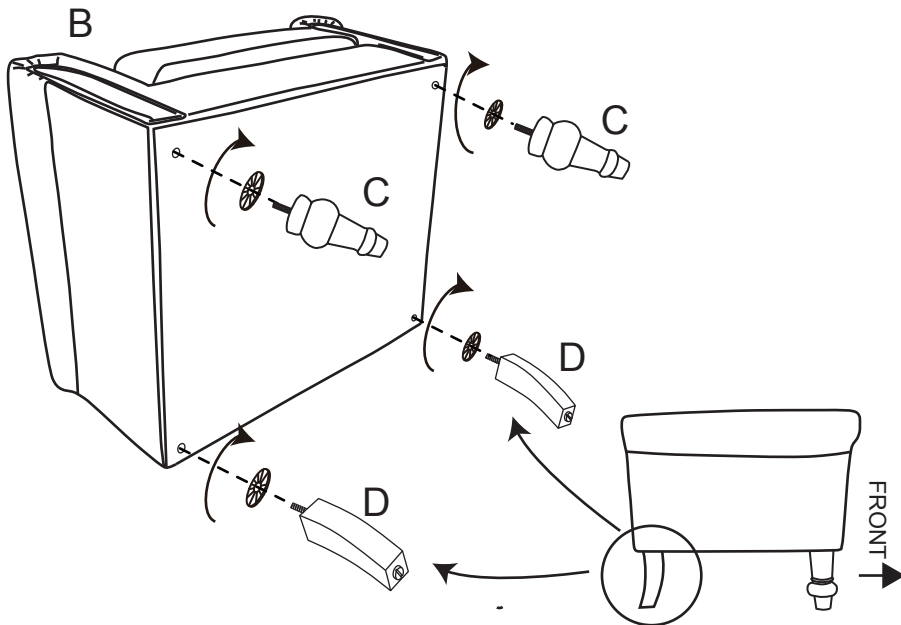
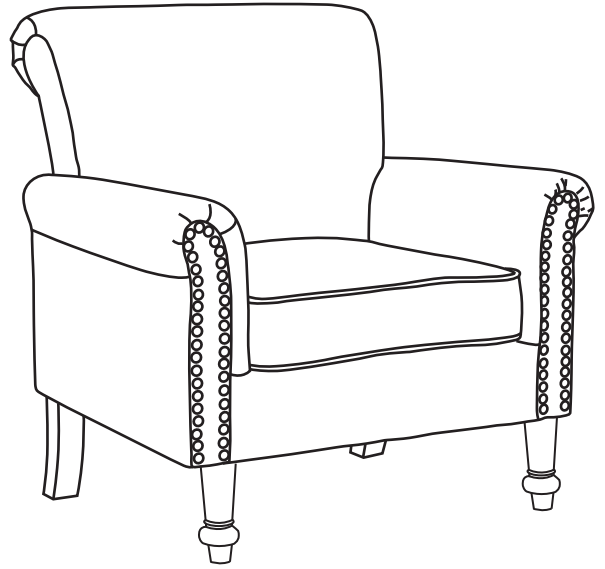


ASSEMBLY INSTRUCTIONS

PARTS LIST		
NO.		Q'ty
A		1
B		1
C		2
D		2



Adjust Pre-installed Levelers height to achieve balance