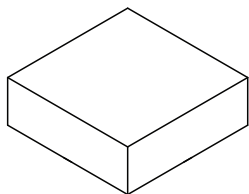


ASSEMBLY INSTRUCTION

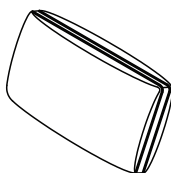
CORNER

A Seat Frame



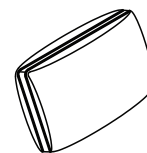
1pc

B Back Cushion



1pc

C Arm Cushion



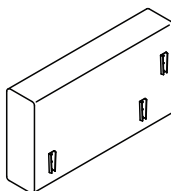
1pc

D Leg



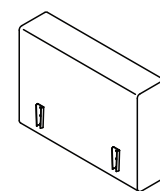
4pcs

E Armrest



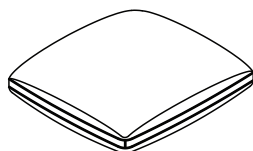
1pc

F Backrest



1pc

G Seat Cushion



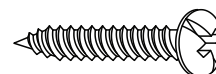
1pc

H Pillow



1pc

I Screw
Φ5/32"x2"

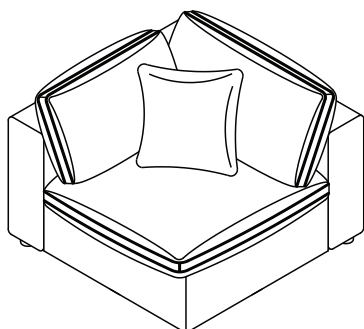


4pcs

J Screwdriver
(Not provided)

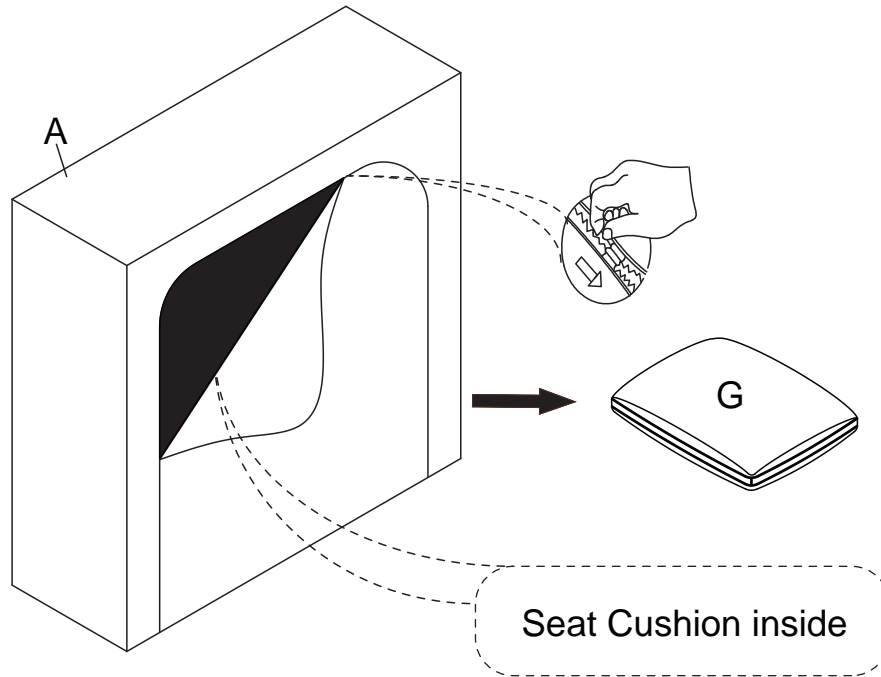


1pc

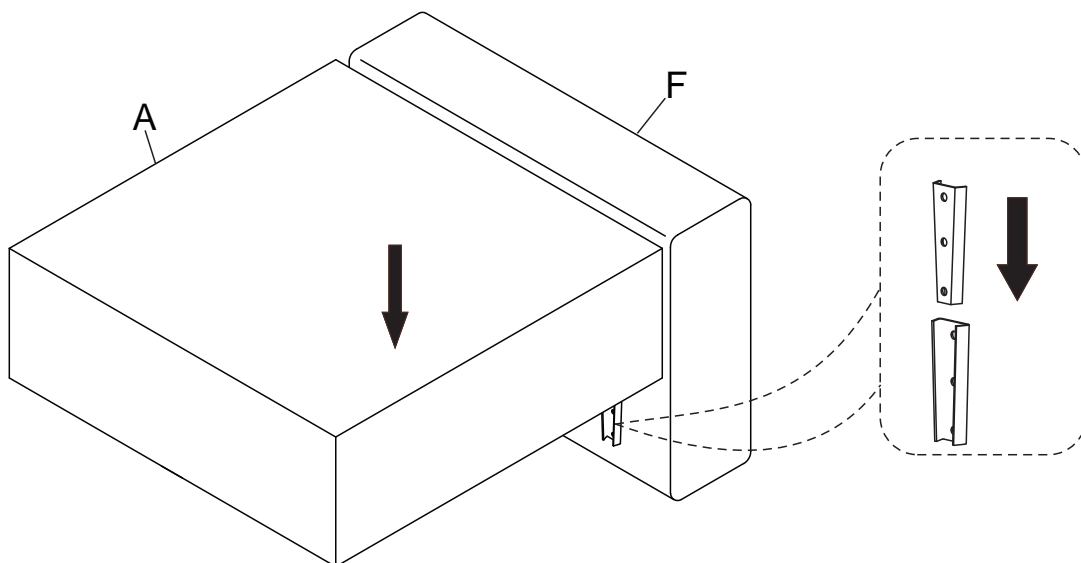


This page lists all the contents included in the box. Please take the time to identify the hardware as well as the individual components to this product. As you unpack and prepare for assembly, place the contents on a carpeted or padded area to protect them from damage.

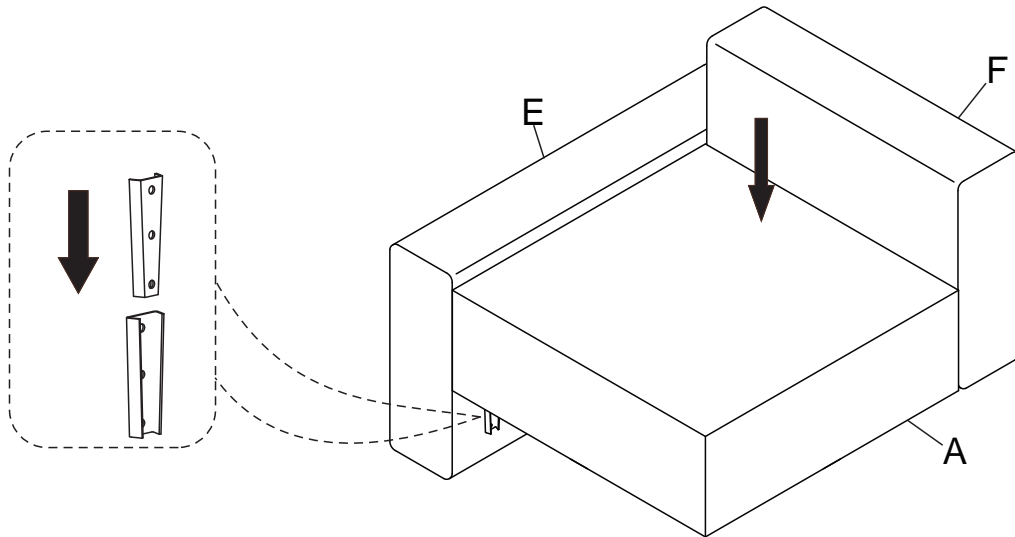
- 1** Put the Seat Frame (A) on a smooth flat surface and please flip over the Seat Frame (A), then take out the Seat Cushion (G) from the bottom of it.



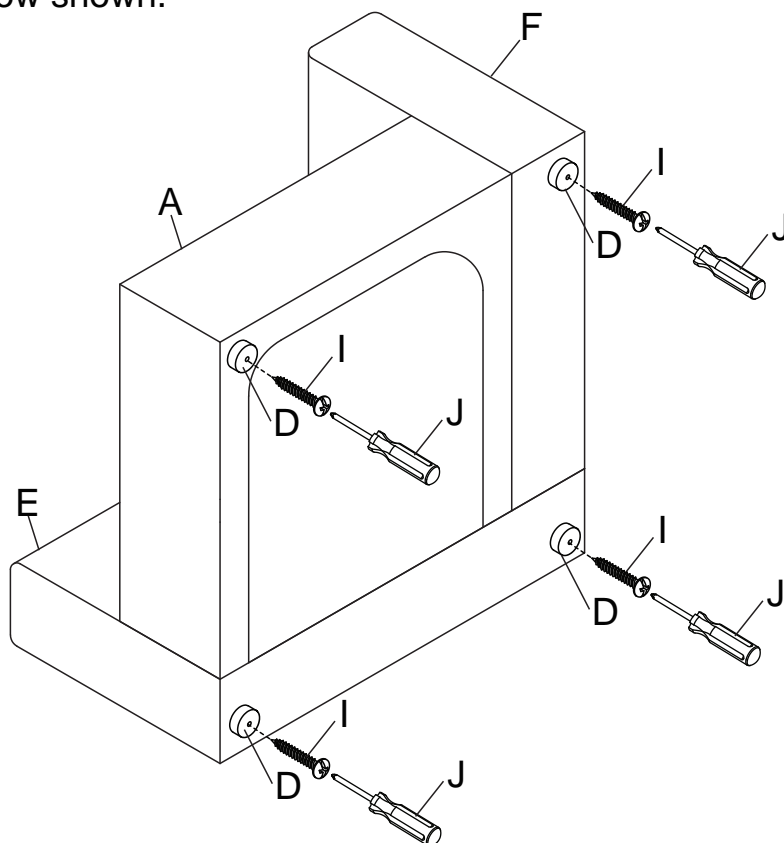
- 2** Hook the Seat Frame (A) onto the Backrest (F) properly.



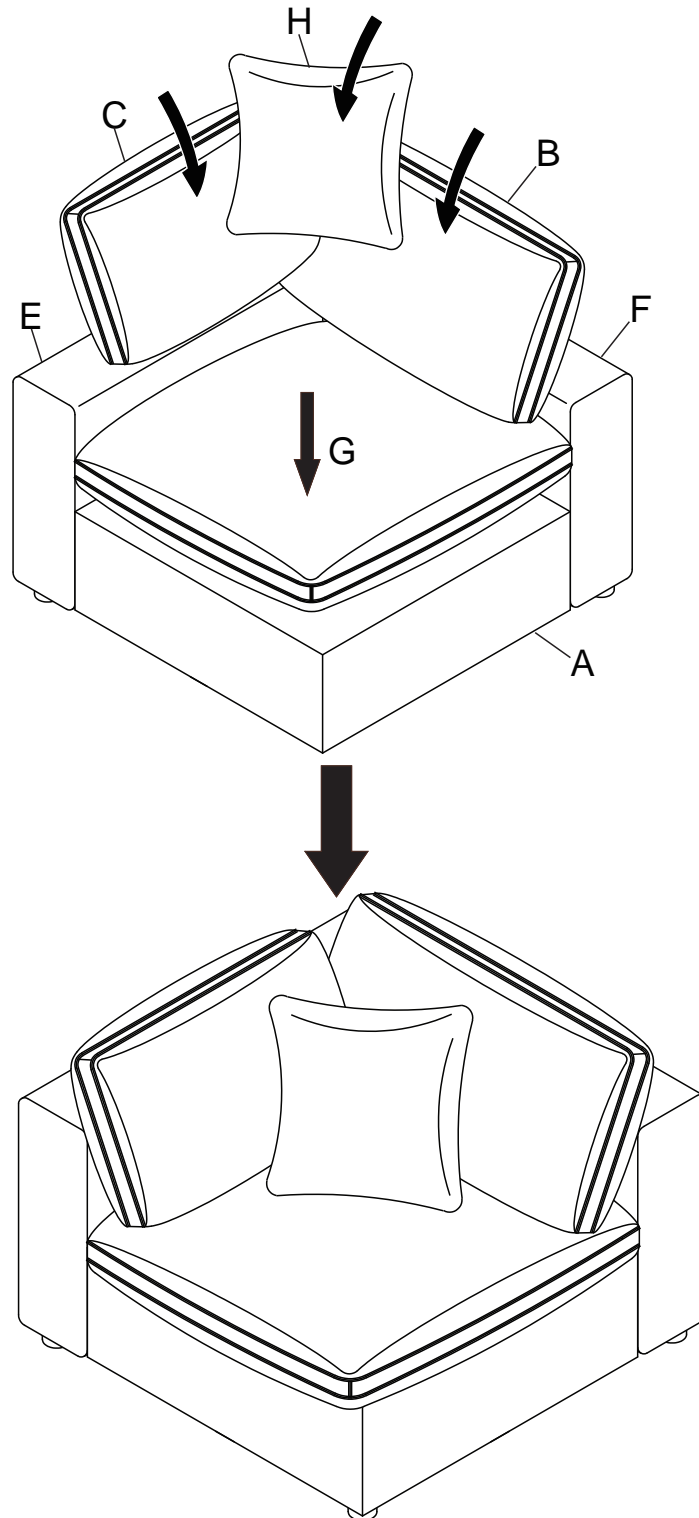
3 Hook the Seat Frame (A) & Backrest (F) onto the Armrest (E) properly.



4 Please flip over the assembled Seat Frame (A) & Armrest (E) & Backrest (F) on a smooth flat surface. Attach the Leg (D) to them using Screw (I) by Screwdriver (J) as below shown.



- 5** Put the Seat Cushion (G) on Seat Frame (A), then put Back Cushion (B) & Arm - Cushion (C) & Pillow (H) on seat Cushion (G) as below shown.

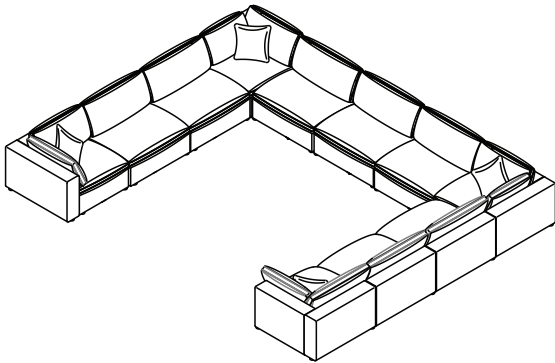


Cleaning & Care

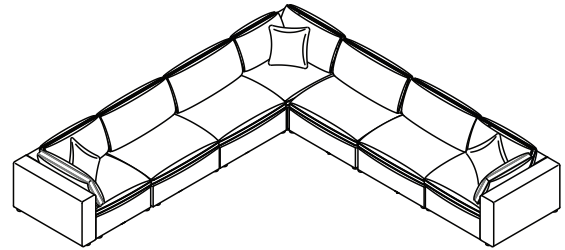
Treat surface with care. Surface is resistant to scratches but is not scratch resistant. Clean surfaces with a dry or damp soft cloth. Do not use abrasive cleaners. Hardware may loosen over time. Periodically check that all connections are tight.

MORE SELECTION STYLE

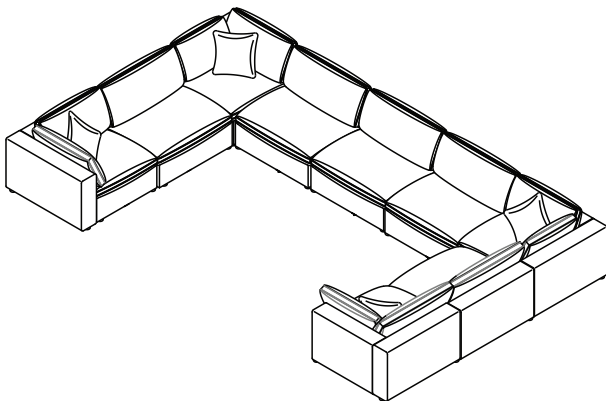
11 Seater U Shape Sectional



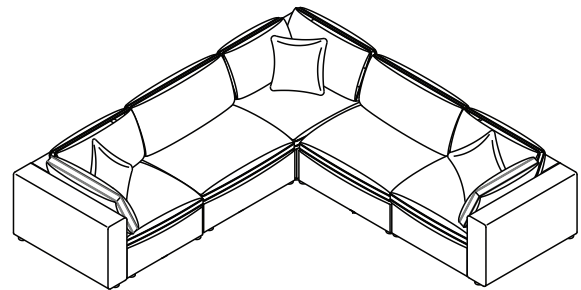
7 Seater L Shape Sectional



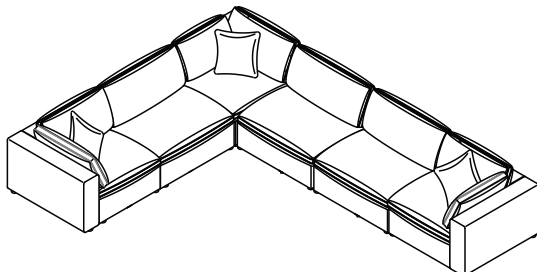
9 Seater L Shape Sectional



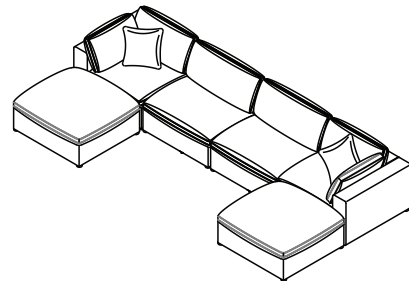
5 Seater L Shape Sectional



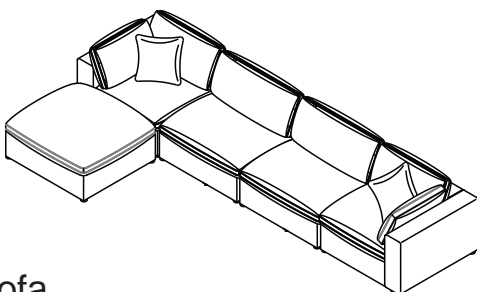
6 Seater L Shape Sectional



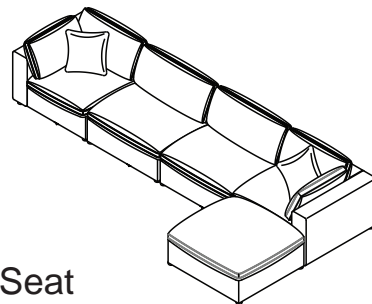
U Shape with 2 Ottoman



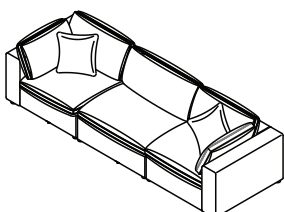
Chaise Sectional with 1 Ottoman



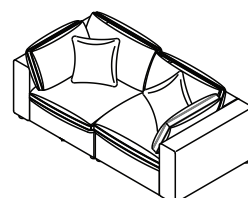
Chaise Sectional with 1 Ottoman



Sofa



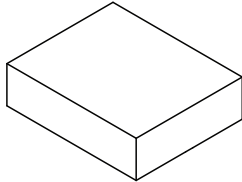
LoveSeat



ASSEMBLY INSTRUCTION

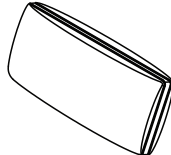
ARMLESS CHAIR

A Seat Frame



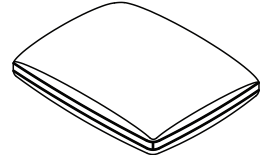
1pc

B Back Cushion



1pc

C Seat Cushion



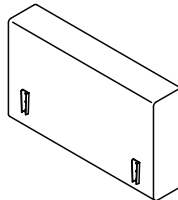
1pc

D Leg



1pc

E Backrest



1pc

F Screw
Φ5/32"x2"

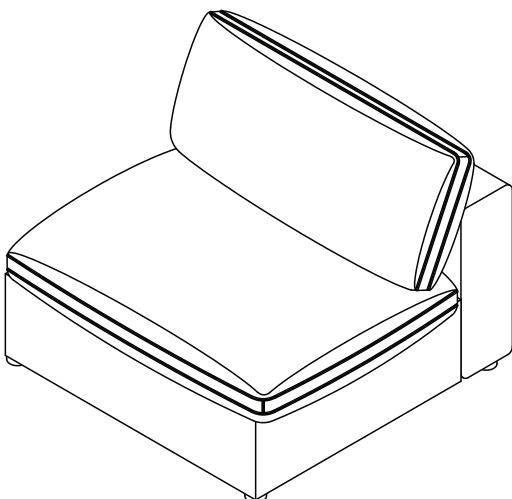


1pc

G Screwdriver
(Not provided)

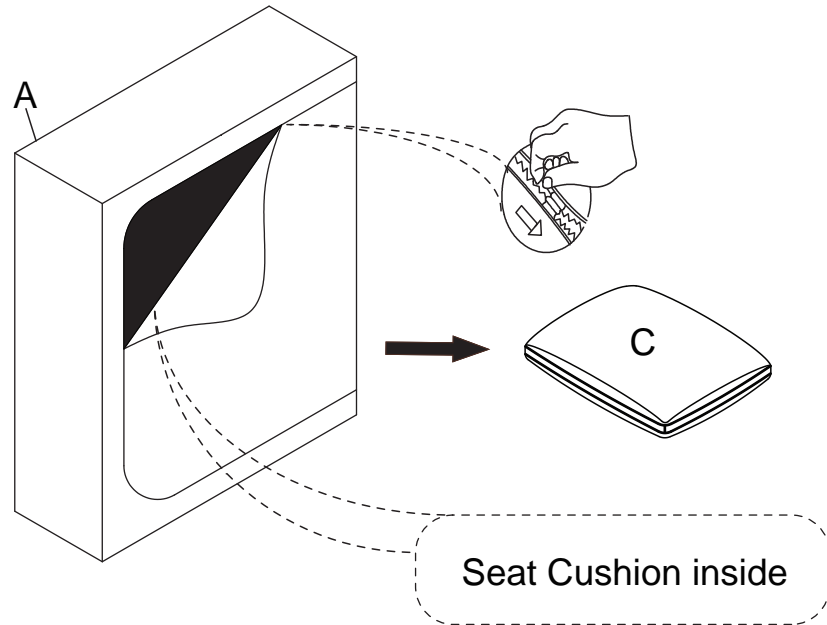


1pc

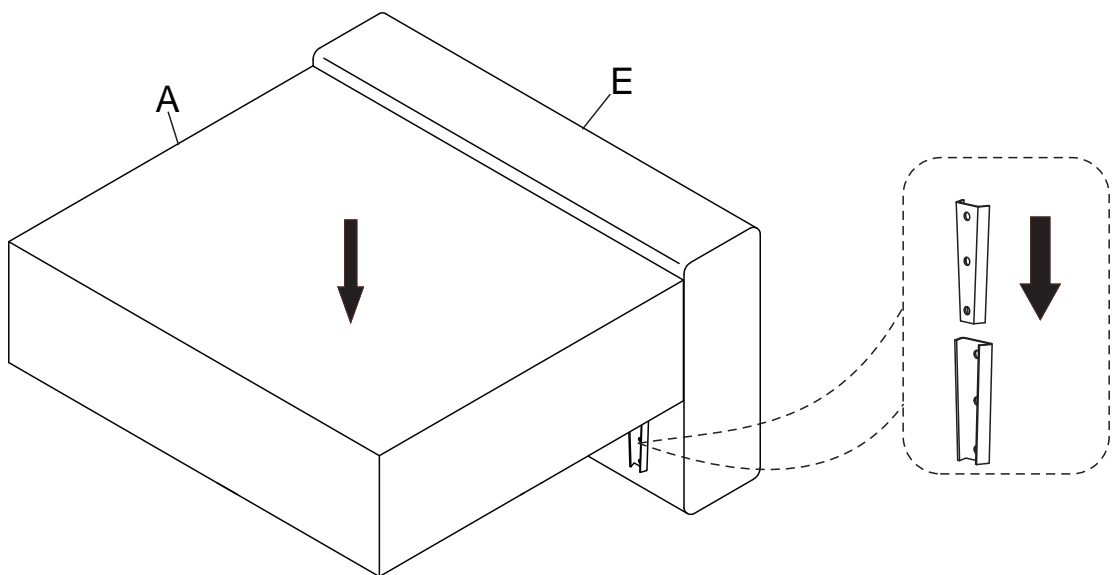


This page lists all the contents included in the box. Please take the time to identify the hardware as well as the individual components to this product. As you unpack and prepare for assembly, place the contents on a carpeted or padded area to protect them from damage.

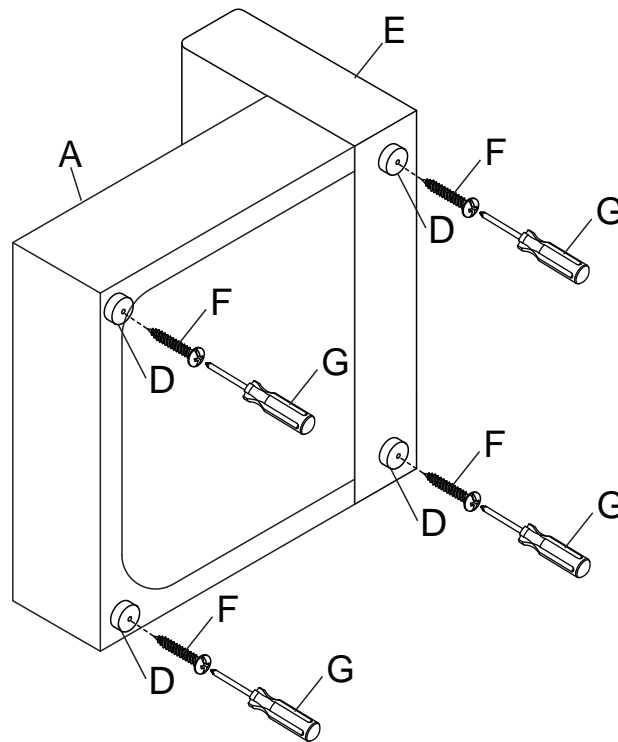
- 1 Put the Seat Frame (A) on a smooth flat surface and please flip over the Seat Frame (A), then take out the Seat Cushion (C) from the bottom of it.



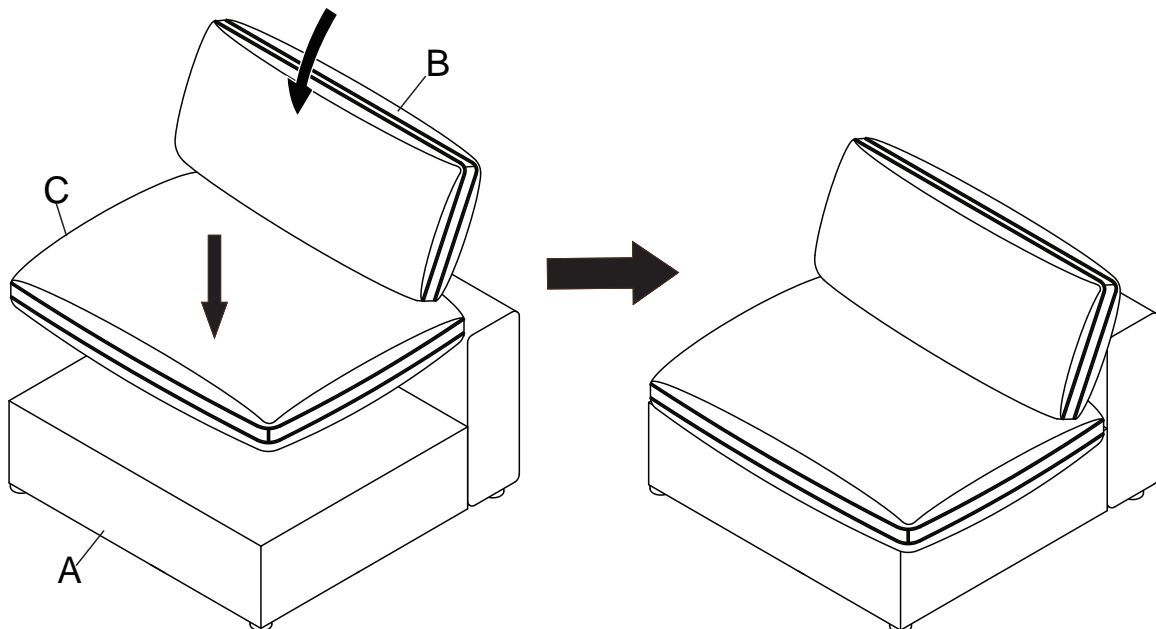
- 2 Hook the Seat Frame (A) onto the Backrest (E) properly.



- 3** Please flip over the assembled Seat Frame (A) & Backrest (E) on a smooth flat surface. Attach the Leg (D) to them using Screw (F) by Screwdriver (G) as below shown.



- 4** Put the Seat Cushion (C) on Seat Frame (A), then put Back Cushion (B) on seat Cushion (C) as below shown.

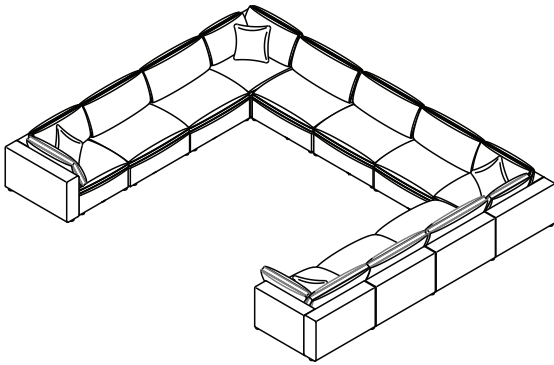


Cleaning & Care

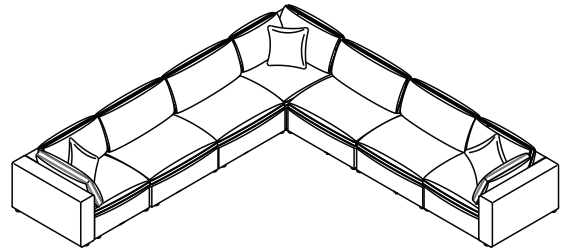
Treat surface with care. Surface is resistant to scratches but is not scratch resistant. Clean surfaces with a dry or damp soft cloth. Do not use abrasive cleaners. Hardware may loosen over time. Periodically check that all connections are tight.

MORE SELECTION STYLE

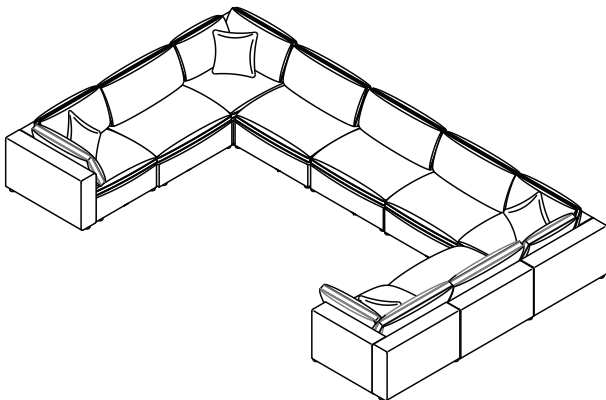
11 Seater U Shape Sectional



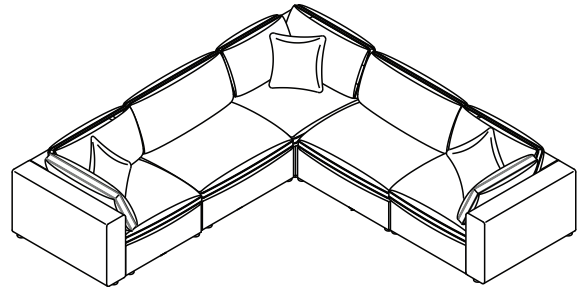
7 Seater L Shape Sectional



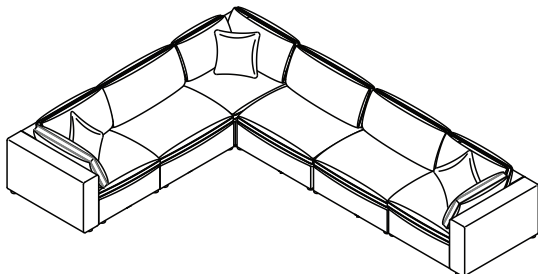
9 Seater L Shape Sectional



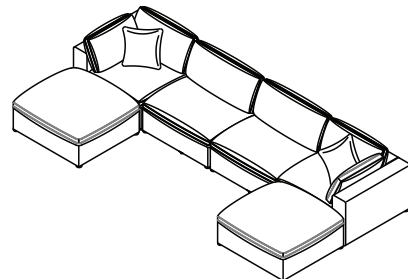
5 Seater L Shape Sectional



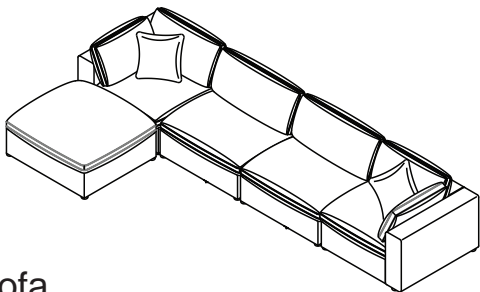
6 Seater L Shape Sectional



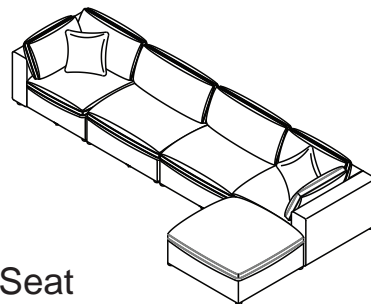
U Shape with 2 Ottoman



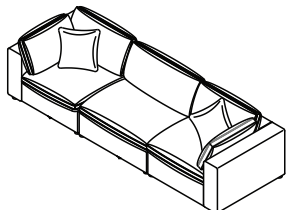
Chaise Sectional with 1 Ottoman



Chaise Sectional with 1 Ottoman



Sofa



LoveSeat

