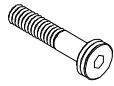


**A** x2  
Spec:



**B** x2  
Spec:  $\varnothing 8 \times 32$



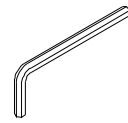
**C** x2  
Spec:  $\varnothing 25 \times 8$



**D** x2  
Spec:  $\varnothing 10 \times 18$



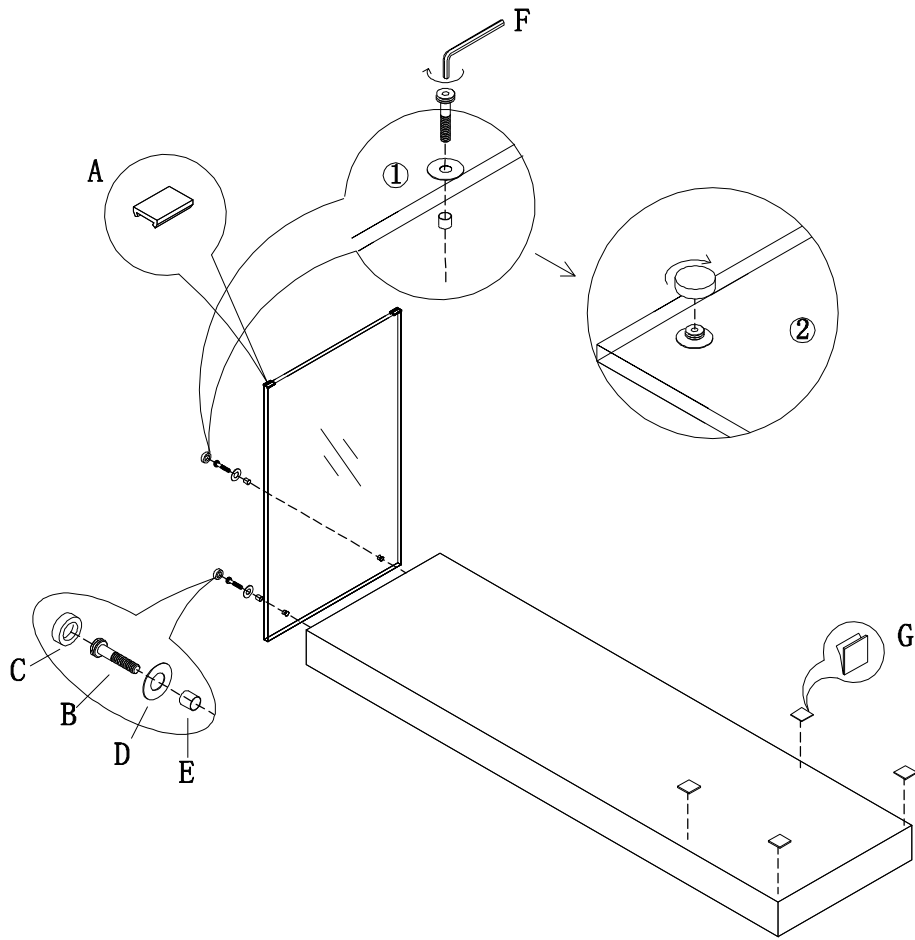
**E** x2  
Spec:  $\varnothing 12 \times \varnothing 10 \times 11$



**F** x1  
Spec: 5#



**G** x4  
Spec:  $38 \times 38$



2

