


TOV



Follow us!

Show your new purchase some love by tagging it on our Instagram!

 @tovfurniture

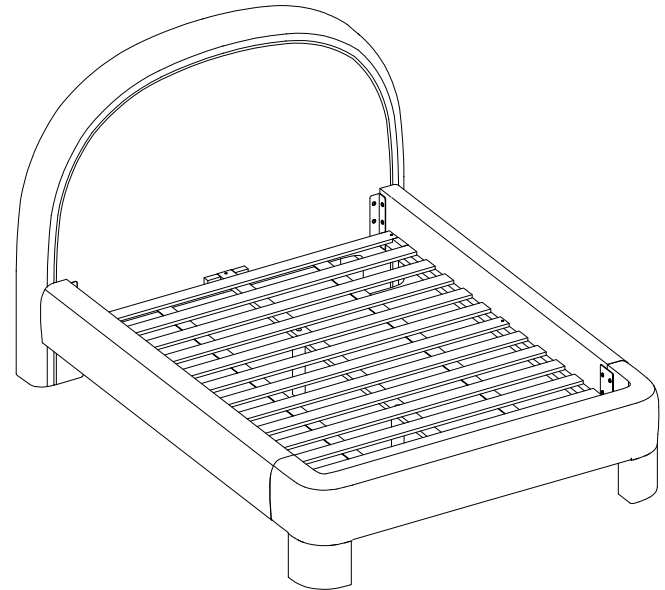
 516-888-3355

 hello@tovfurniture.com

 www.tovfurniture.com

If the future is female—your furniture should be, too. No mahogany in sight. Sexy settees shaped like lips. Price points for any budget. At TOV, we do things differently.

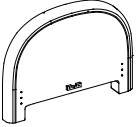
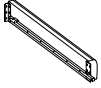
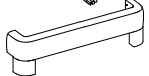
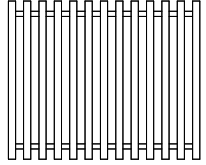

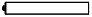



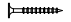
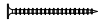

TOV



ORPHEA QUEEN BED

DON'T BE BORING.

Hardware and Components

- | | |
|---|--------------------------------|
|  | A x1 pc |
|  | B x2 pcs (Left + Right) |
|  | C x1 pc |
|  | D x1 pc |
|  | E x2 pcs |
|  | F x4 pcs |
|  | G x16 pcs (30mm x 6mm) |
|  | H x16 pcs (6mm) |
|  | I x16 pcs (6mm) |
|  | K x10 pcs (30mm x 4mm) |
|  | L x6 pcs (50mm x 4mm) |
|  | M x1 pc |

Step 1

Open box of hardware and legs.

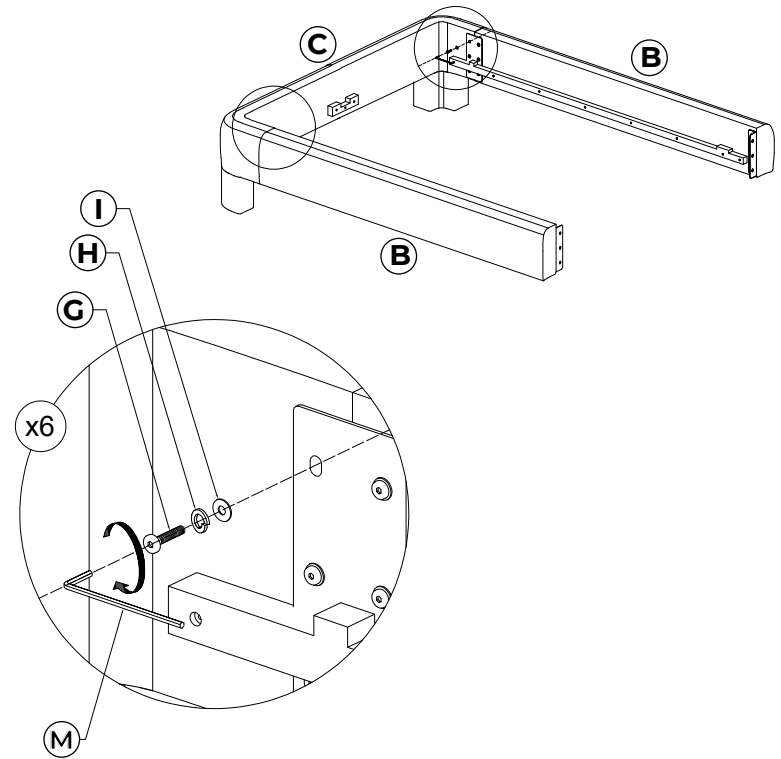
This hardware box will be a smaller box inside of the main box. Look for the red streamer.



Step 2

A. Attach Side Rails (B) to Footboard (C) as illustrated.

B. Fix Side Rails (B) to Footboard (C) by using hardware (G, H, I) with Allen Key (M).



Stuck?

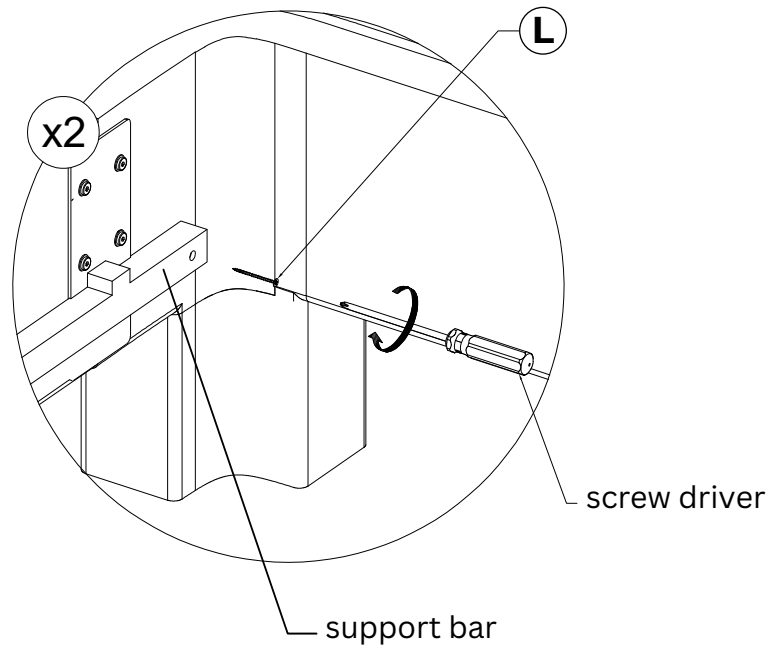
Contact our team @ 516-888-3355

Scan for product care!



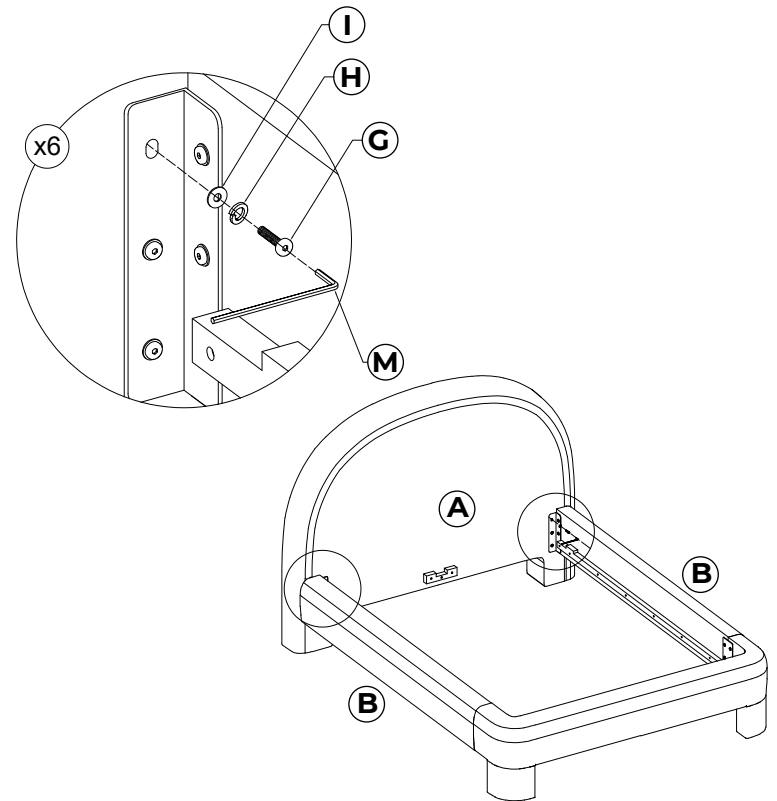
Step 3

- A.** Fix the Support Bar on Side Rails (B) to Footboard (C) with Screw (L) using a screw driver.



Step 4

- A.** Attach Side Rails (B) to Headboard (A) as illustrated.
- B.** Fix Side Rails (B) to Headboard (A) by using hardware (G, H, I) with Allen Key (M).



Stuck?

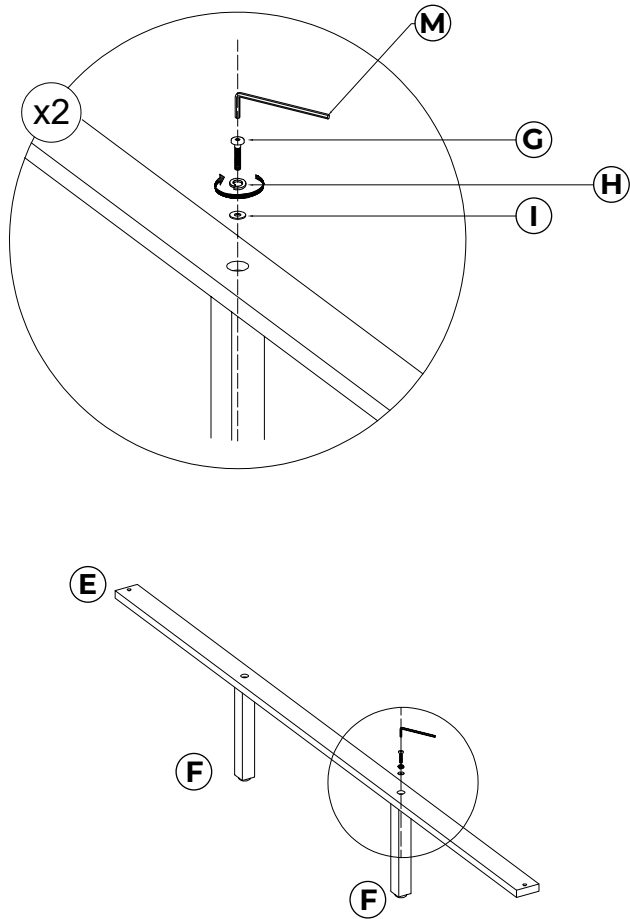
Contact our team @ 516-888-3355

Scan for product care!



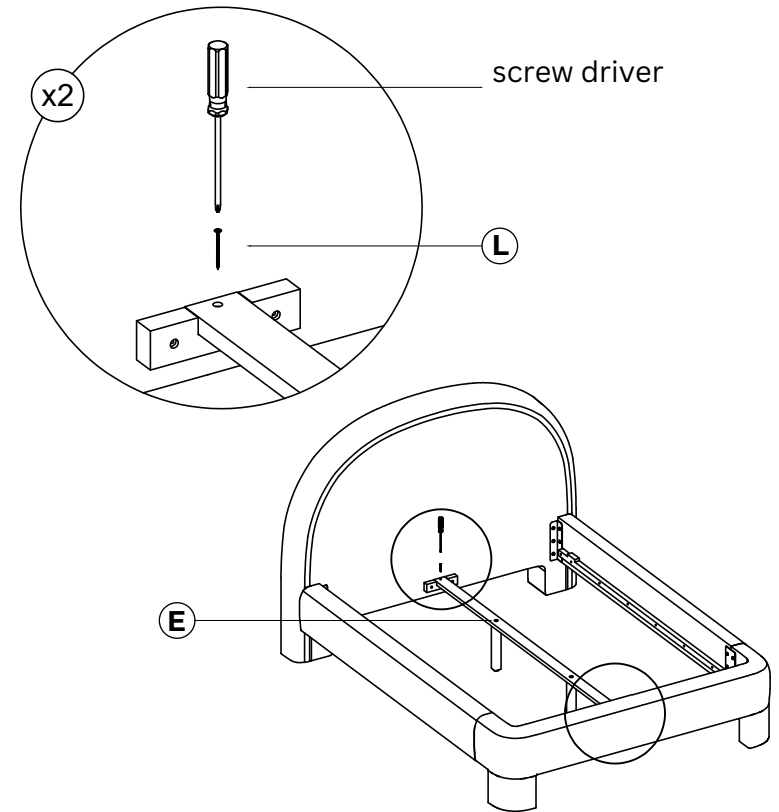
Step 5

- A.** Attach Center Rail (E) to Middle Legs (F) using hardware (G, H, I) with Allen Key (M).



Step 6

- A.** Attach Center Rail (E) into bracket on Headboard (A) and Footboard (C).
- B.** Fix Center Rail (E) to bracket with Screw (L) using a screw driver.



Stuck?

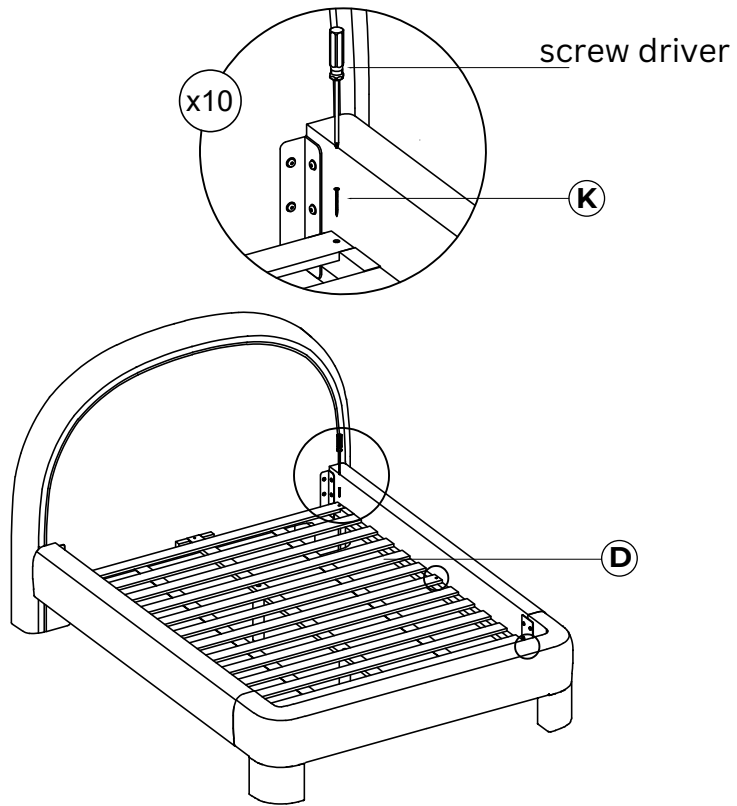
Contact our team @ 516-888-3355

Scan for product care!



Step 7

- A.** A. Unroll the Slat Roll (D) onto bed frame. Secure the slat to Side Rail (B) with Screw (K) using a screw driver.



- B.** Your bed is complete, place mattress on slatroll and enjoy your new bed.

Stuck?
Contact our team @ 516-888-3355

Scan for product care!

