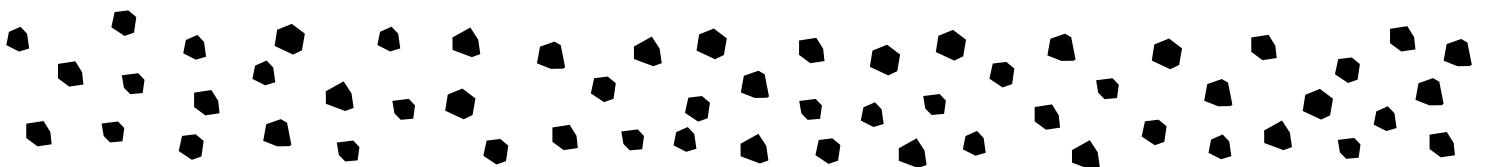
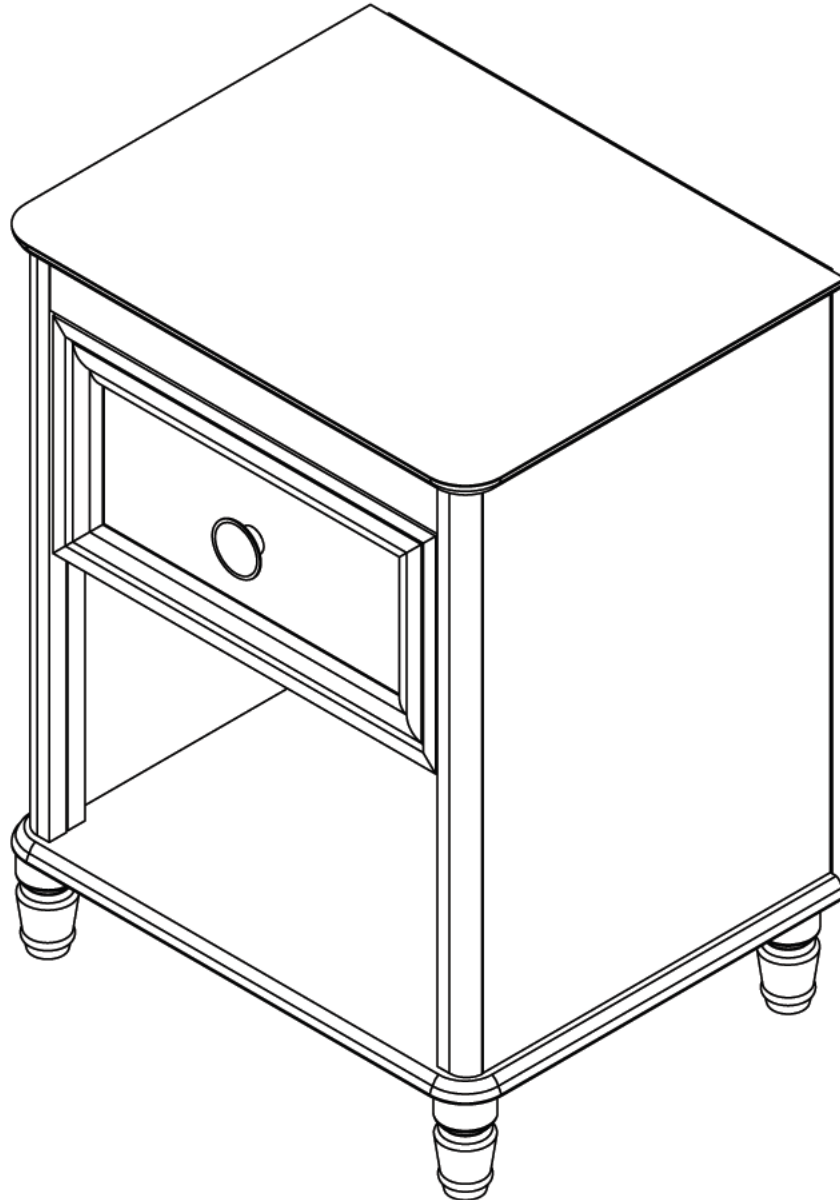


**Look** inside for Assembly Manual



---

Keep this Assembly Manual for future reference



Two Adults  
recommended  
for assembly

This product is not intended for commercial use

REFERENCE NO:

Please retain this booklet as you will be asked  
to quote this number for any warranty or  
product related queries

# Helpful Hints

PEOPLE NEEDED FOR ASSEMBLY: **1-2**  
ESTIMATED ASSEMBLY TIME: **1 HOUR**

- Open your item in the area you plan to keep it for less heavy lifting
- Identify, sort and count the parts before attempting assembly
- Compression dowels are tapped in with a hammer
- Slides are labeled with a R (right) and L (left) for proper placement
- Make sure to always face the point on the top of the Cam Lock towards the outer edge
- Use all the nails provided for the back panel and spread them out equally
- Back Panel must be used to make sure your unit is sturdy
- Do NOT use harsh chemicals or abrasive cleaners on this item
- Never push, pull, or drag your furniture



---

# Before You Start

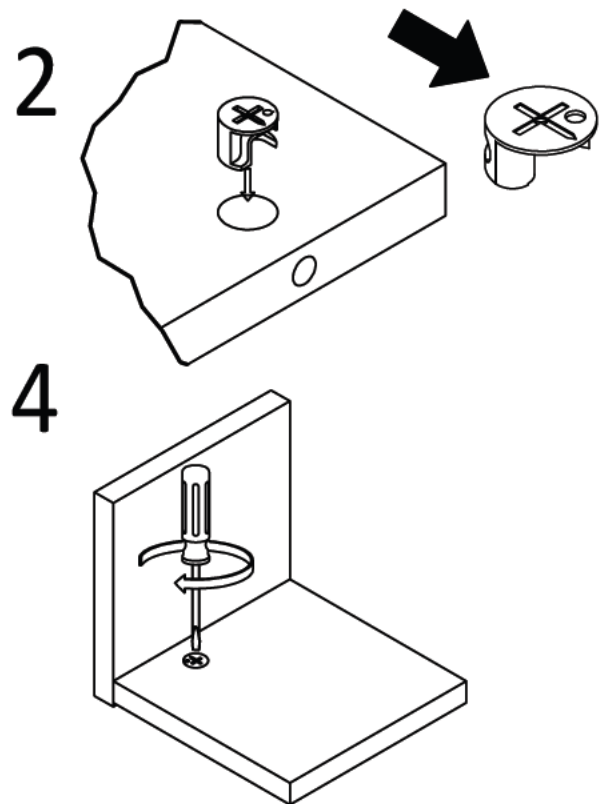
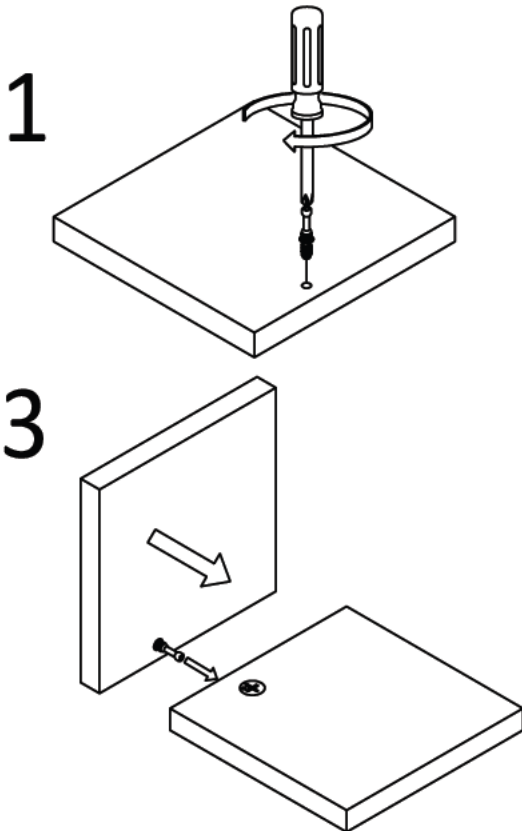


- ✓ Read through each step carefully and follow the proper order
- ✓ Separate and count all your parts and hardware
- ✓ Give yourself enough room for the assembly process
- ✓ Have the following tools: Flat Head Screwdriver, #2 Phillips Head Screwdriver and Hammer
- ✓ Caution: If using a power drill or power screwdriver for screwing, please beware to slow down and stop when screw is tight. Failure to do so may result in stripping the screw,

---

# Cam Lock Fastening System

This Cam Lock Fastening System will be used throughout the assembly process.

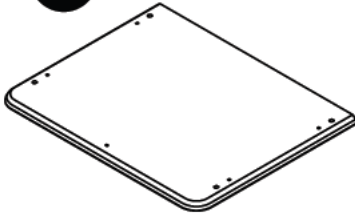


---

## Board Identification

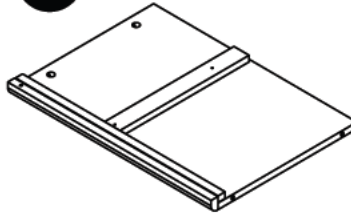
Not actual size

1



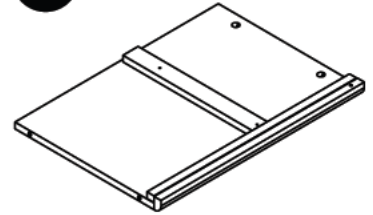
x1  
T6856096010UD  
TOP PANEL

2



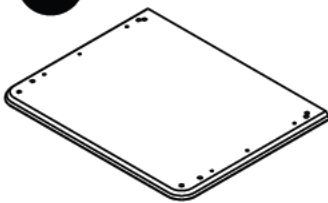
x1  
T6856096020UD  
LEFT SIDE PANEL

3



x1  
T6856096030UD  
RIGHT SIDE PANEL

4



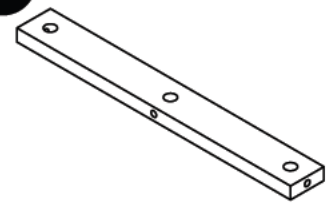
x1  
T6856096040UD  
BOTTOM PANEL

5



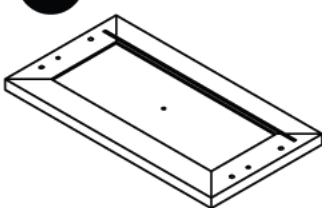
x4  
T6856096050UD  
LEG

6



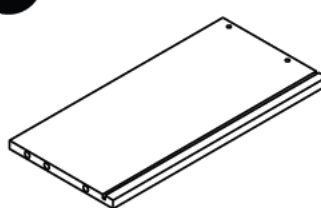
x1  
T6856096060UD  
TOP MOLDING

7



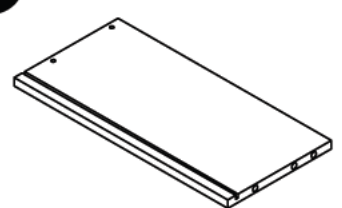
x1  
T6856096070UD  
FRONT DRAWER

8



x1  
T6856096080UD  
LEFT SIDE DRAWER

9

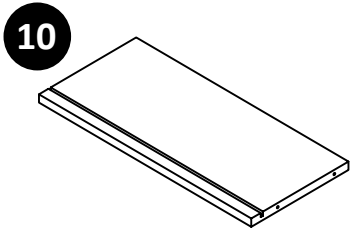


x1  
T6856096090UD  
RIGHT SIDE DRAWER

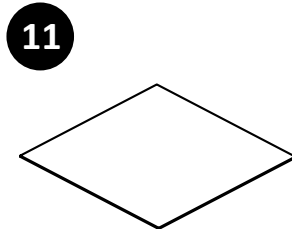
---

## Board Identification

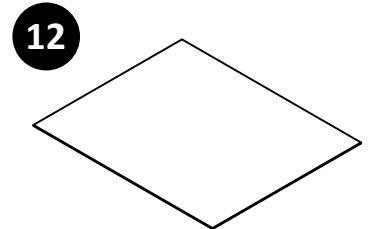
Not actual size



x1  
T6856096100UD  
BACK DRAWER



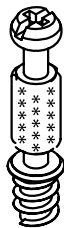
x1  
T6856096110UD  
BOTTOM DRAWER



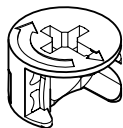
x1  
T6856096120UD  
BACK PANEL

# Part List

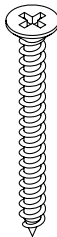
## Actual size



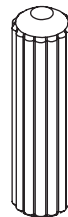
x9  
TUD0001  
Cam Bolt



x9  
TUD0002  
Cam Lock  
15-12



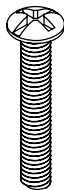
x10  
TUD0009  
CBS 4 x 38



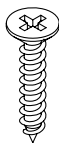
x8  
TUD0004  
DOWEL 8 X 25



x4  
TUD0005  
DOWEL 6 X 25



x1  
TUD0011  
PH M4 X 12



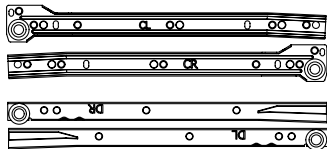
x12  
TUD0008  
CBS 3.5 x 16



x12  
TUD0006  
NAIL

# Part List

## Not actual size



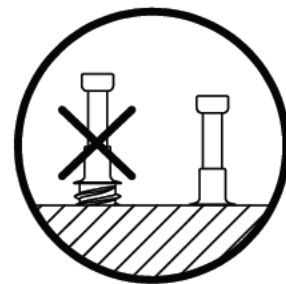
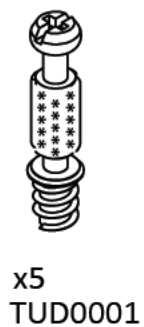
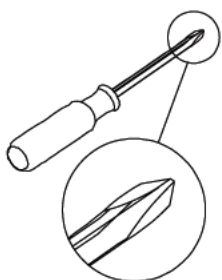
x1 SET  
TUD0017  
DRAWER SLIDE  
350 MML



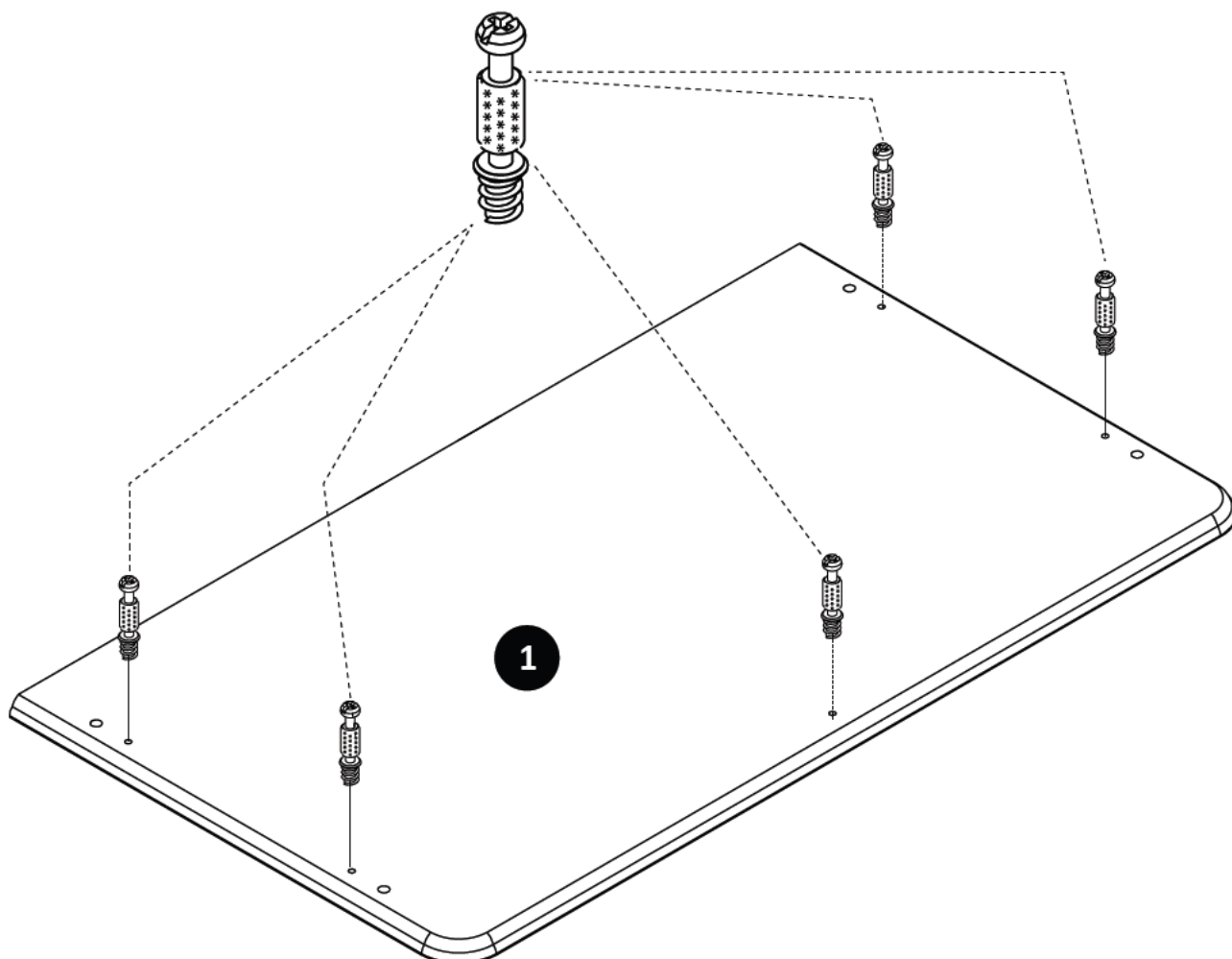
x1  
TUD0013  
ROUND KNOB

# Step 1

---

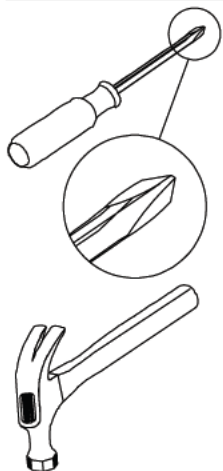


Attach the Cam Lock.



\* raw edges are shaded

# Step 2



x1  
TUD0001



x2  
TUD0002



x4  
TUD0004

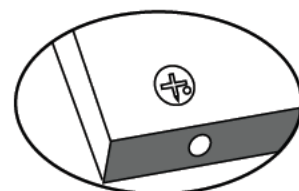


x3  
TUD0008

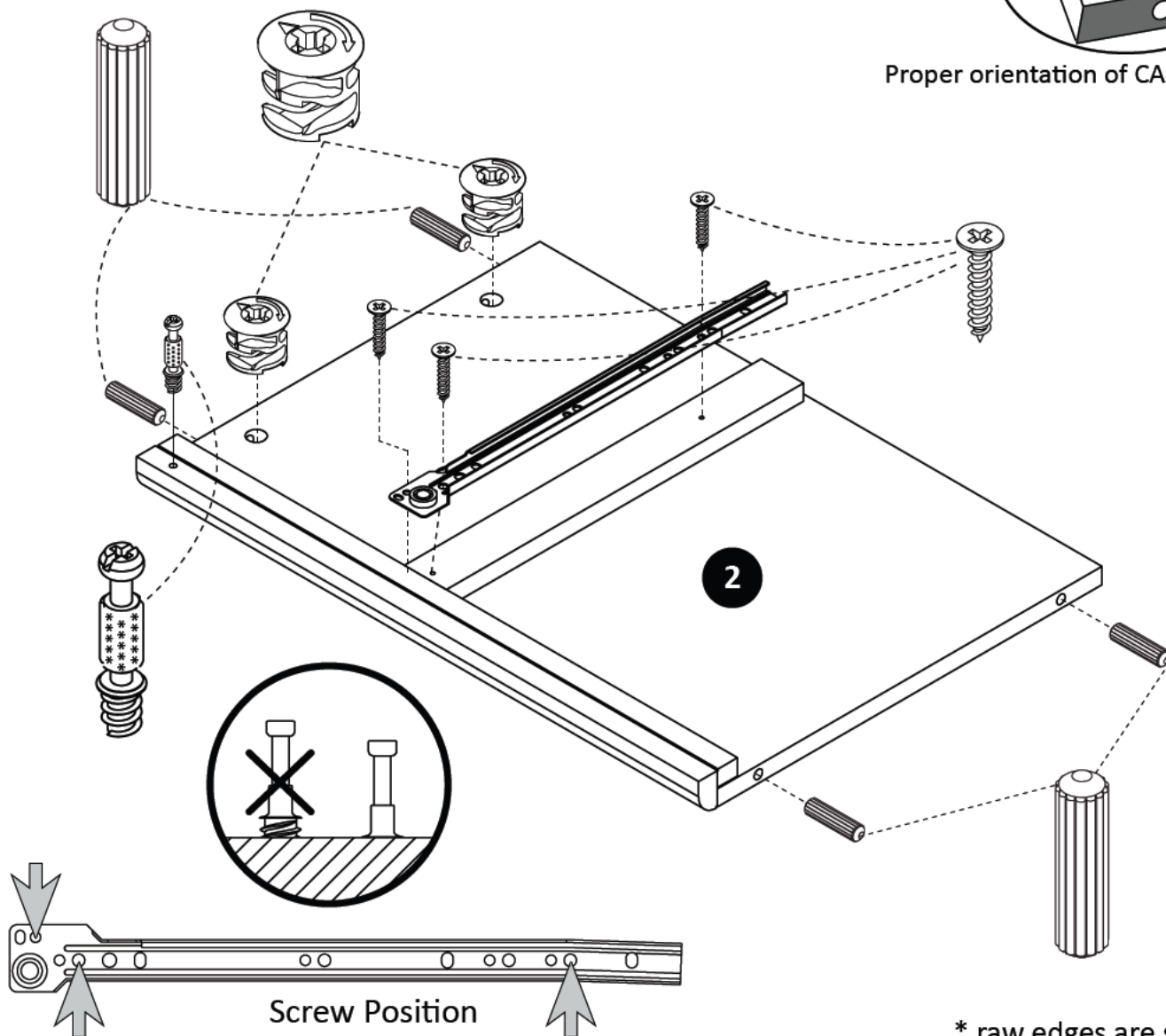


x1 (CL)  
TUD0017

Preparation of left side panel



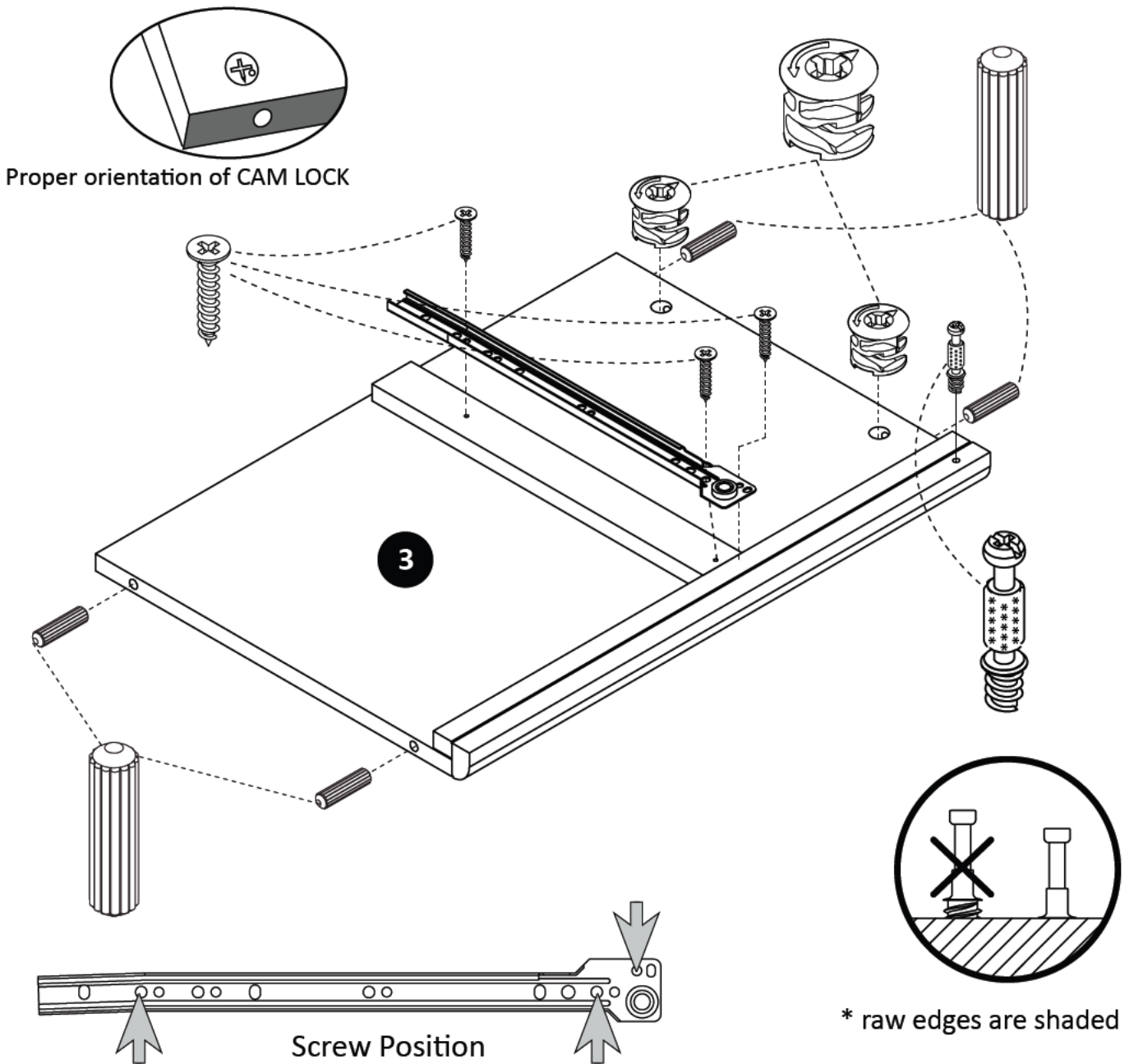
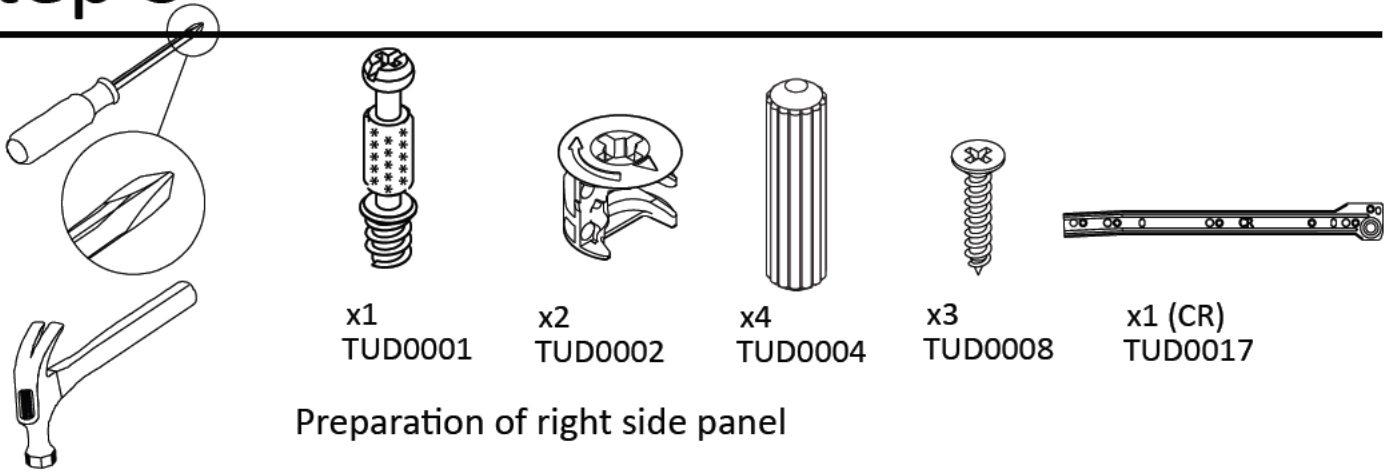
Proper orientation of CAM LOCK



Screw Position

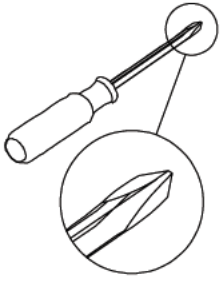
\* raw edges are shaded

# Step 3

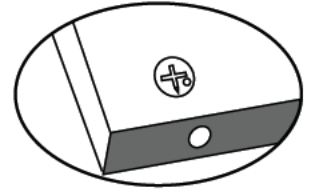


# Step 4

---

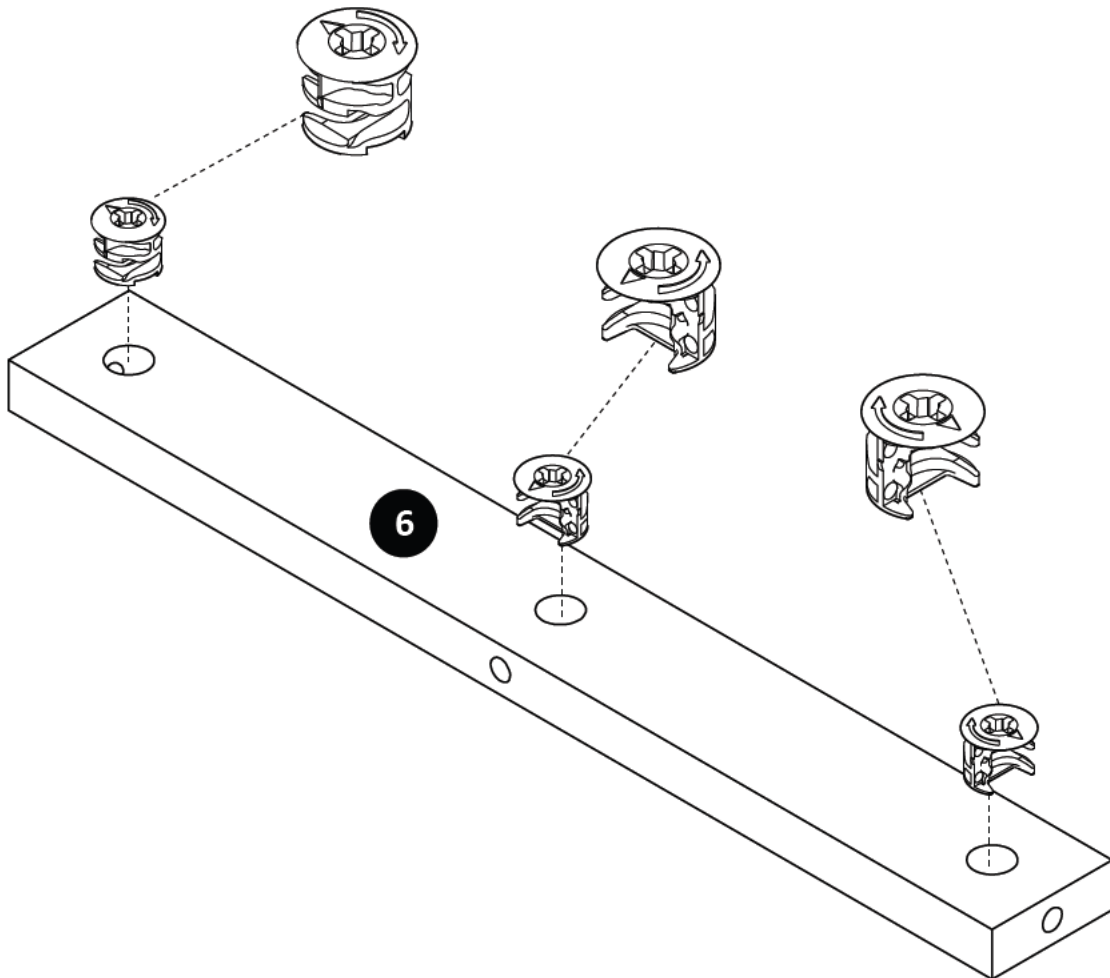


x3  
TUD0002



Proper orientation of CAM LOCK

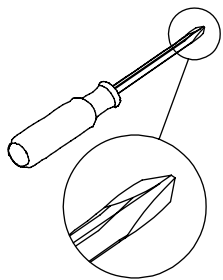
## Preparation top molding



\* raw edges are shaded

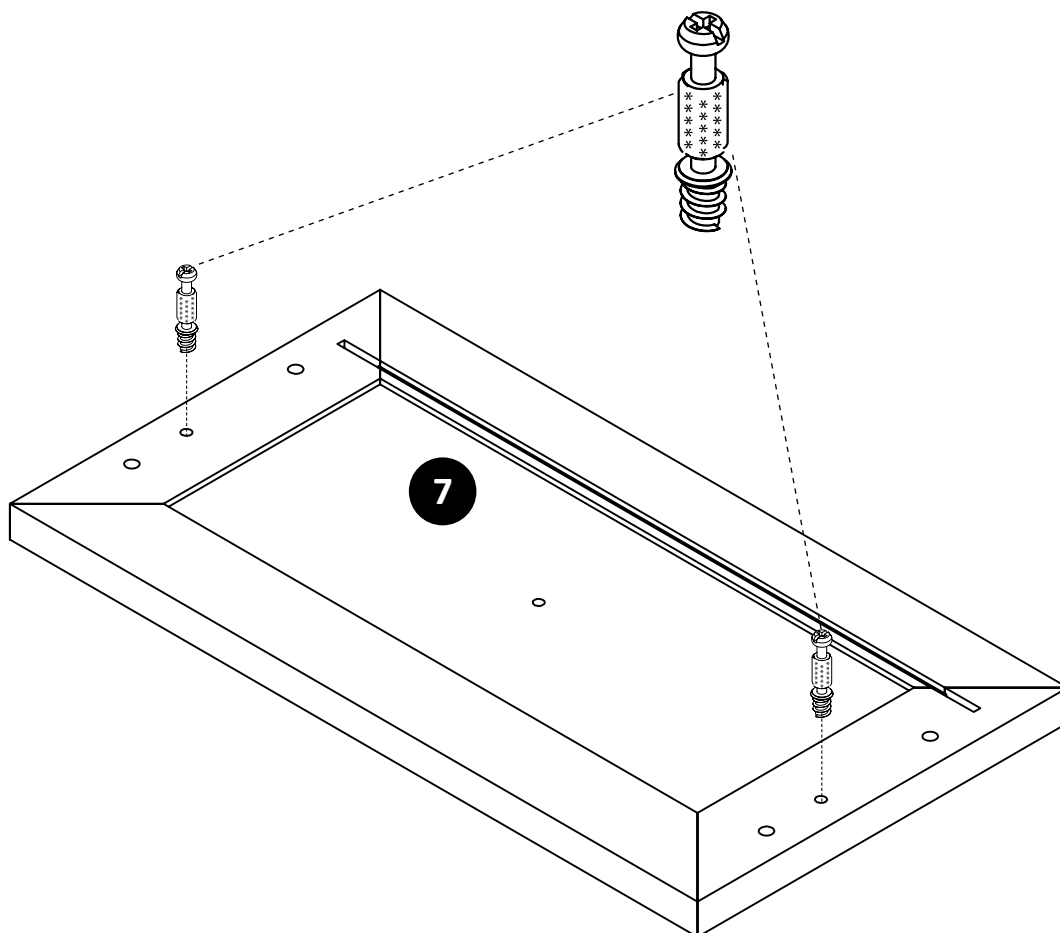
# Step 5

---



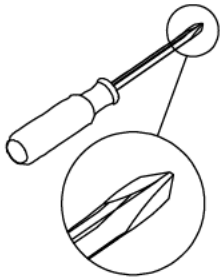
x2  
TUD0001

Preparation of front drawer



\* raw edges are shaded

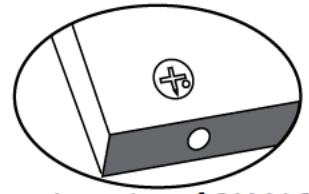
# Step 6



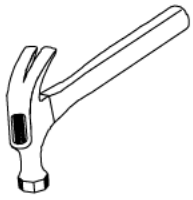
x2  
TUD0002



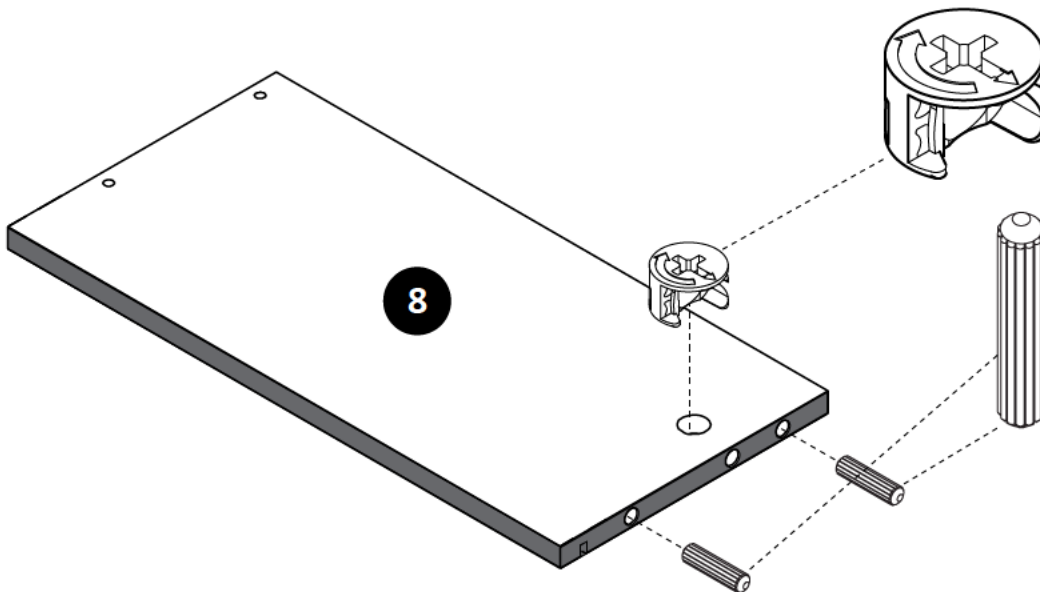
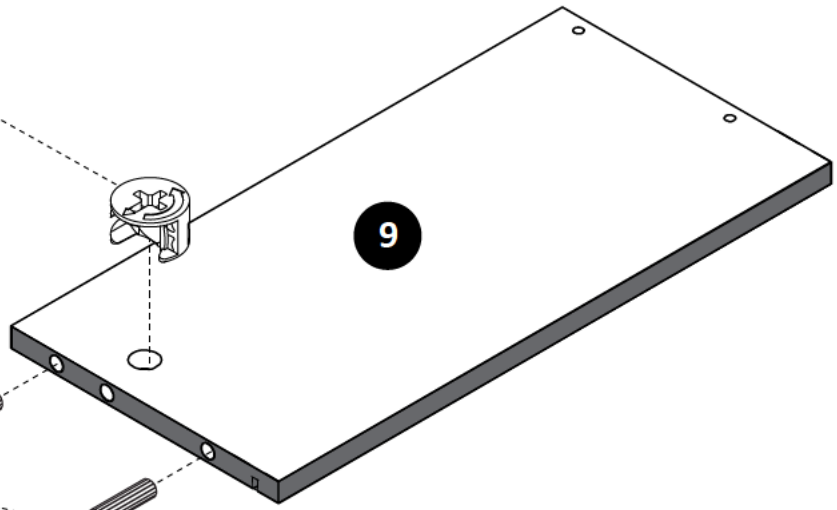
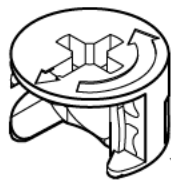
x4  
TUD0005



Proper orientation of CAM LOCK



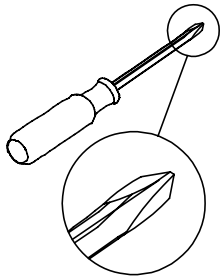
Preparation of left & right side drawer



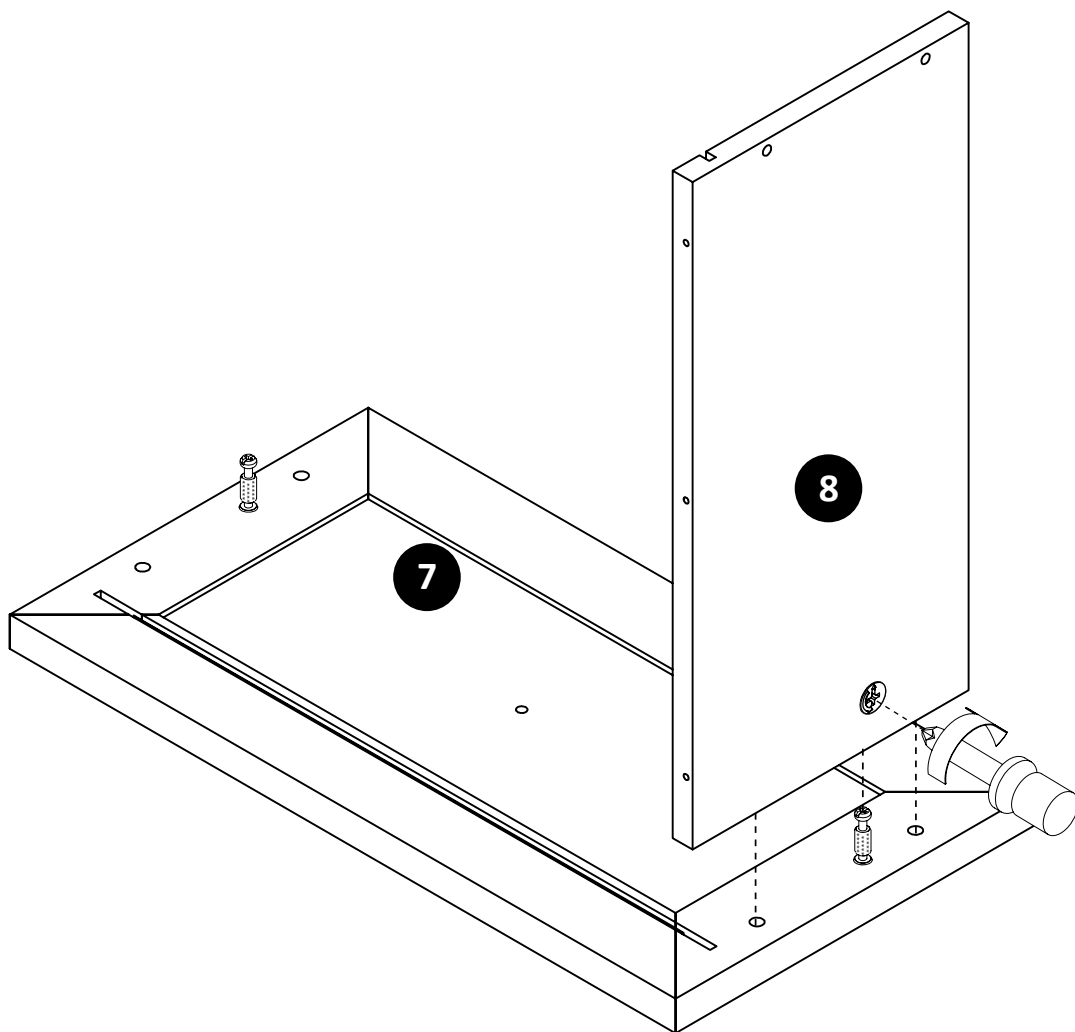
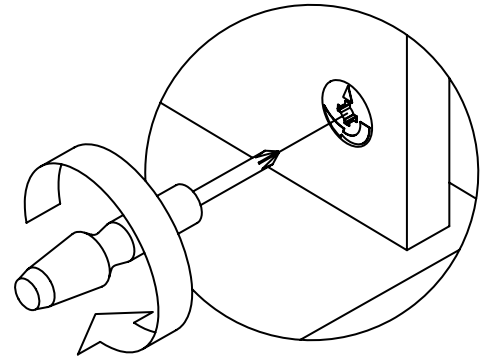
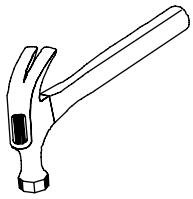
\* raw edges are shaded

# Step 7

---



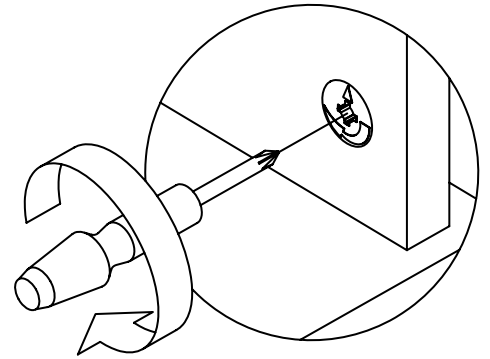
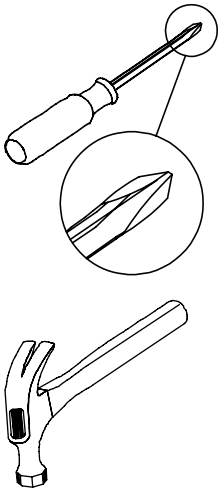
Attach left side drawer to front drawer.



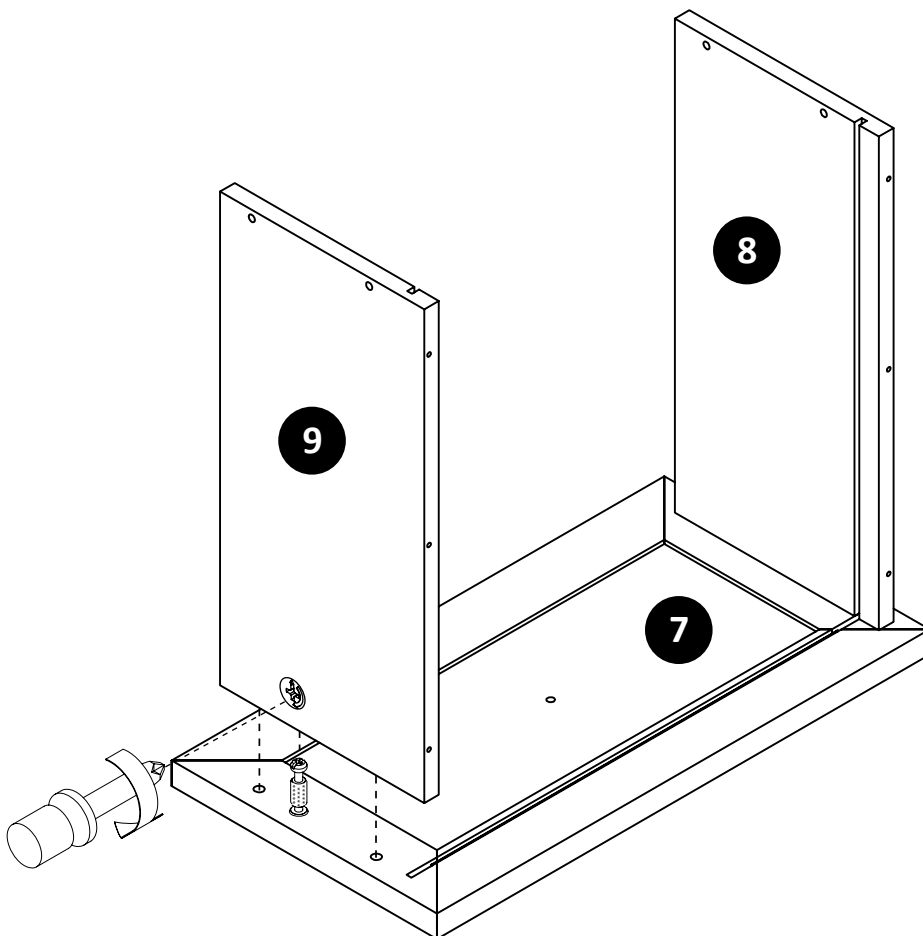
\* raw edges are shaded

# Step 8

---



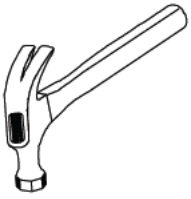
Attach right side drawer to front drawer



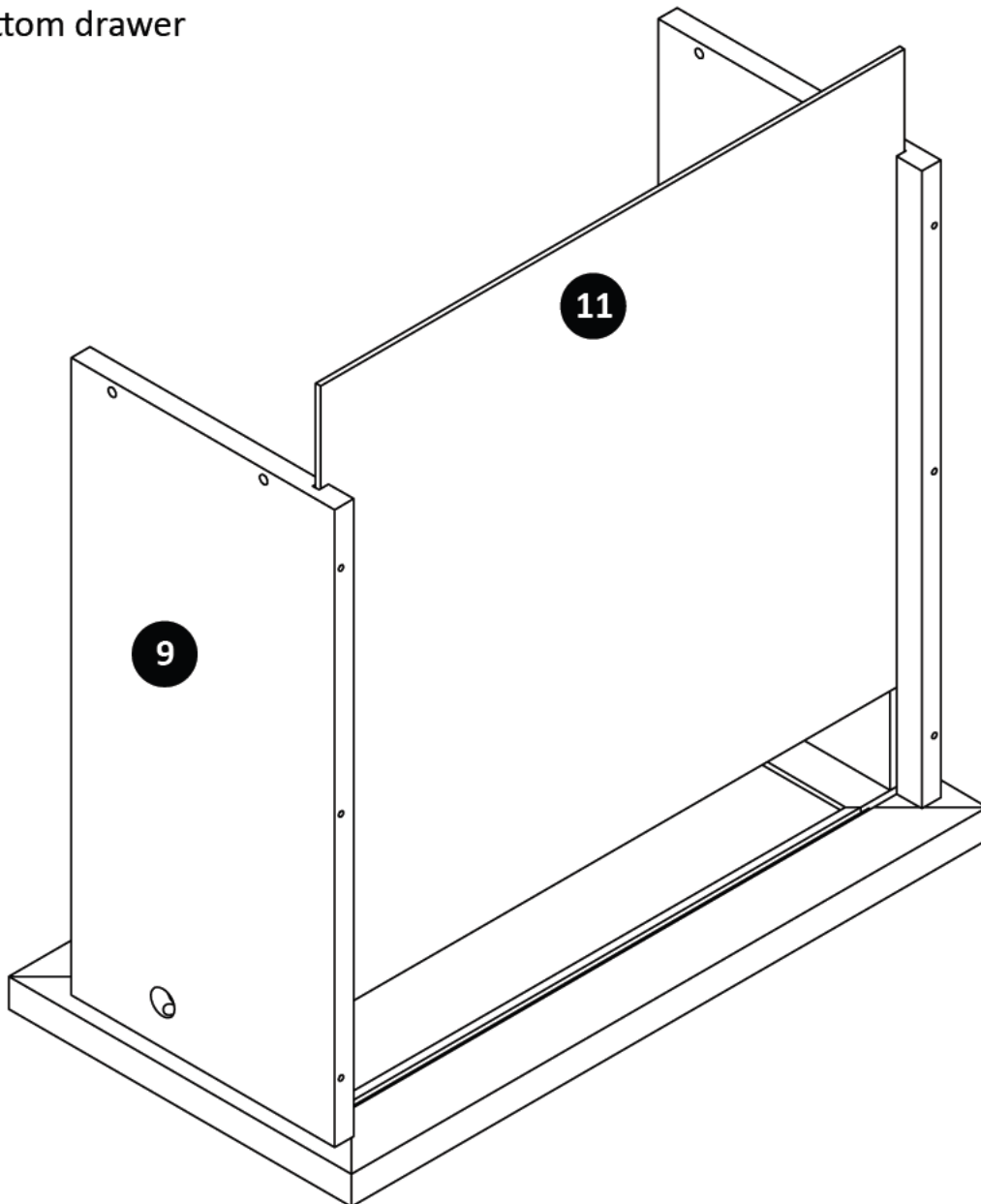
\* raw edges are shaded

# Step 9

---



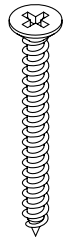
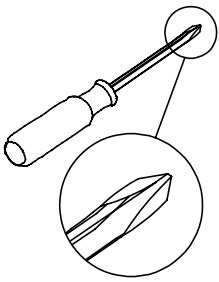
Slot in bottom drawer



\* raw edges are shaded

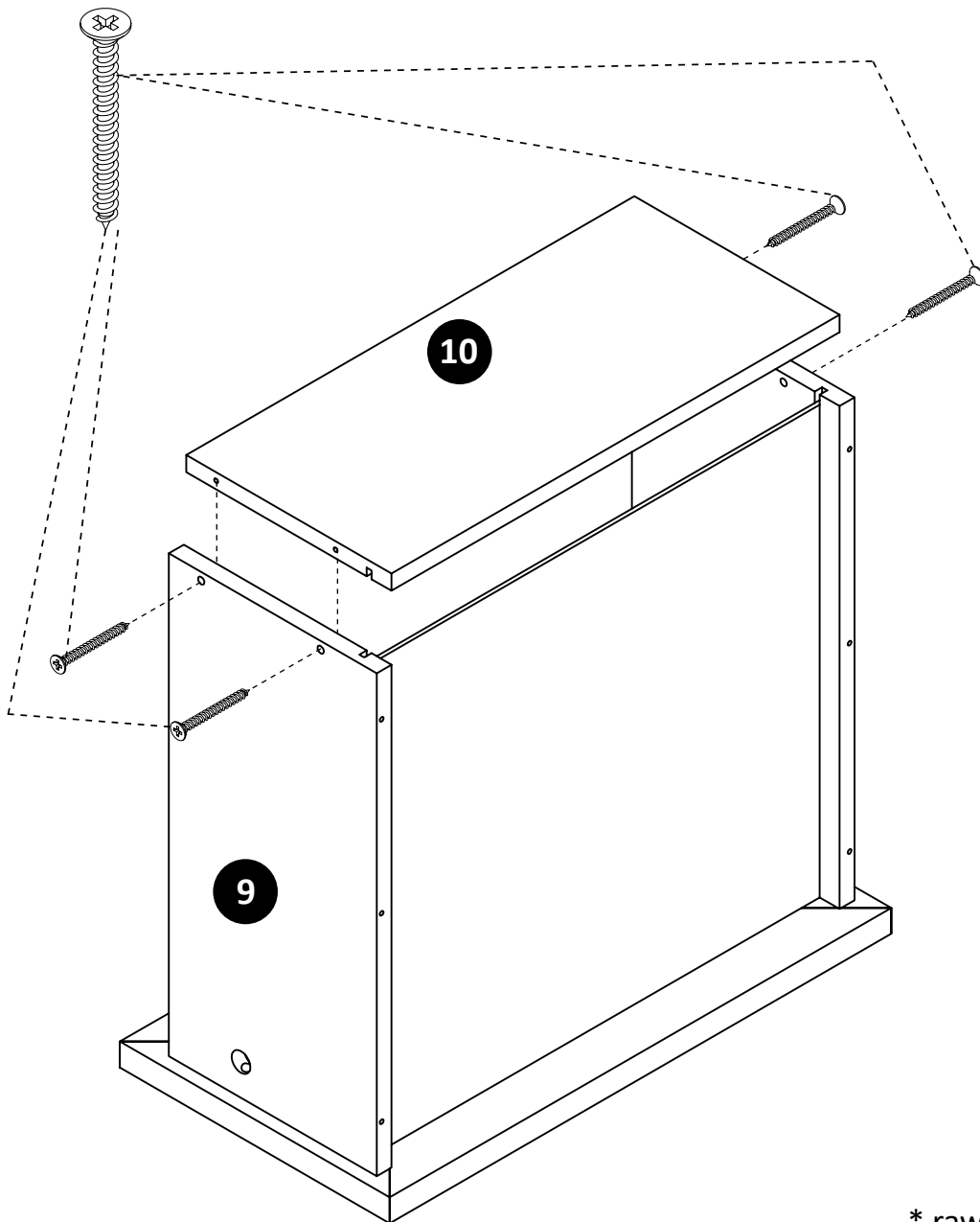
# Step 10

---



x4  
TUD0009

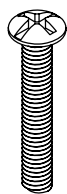
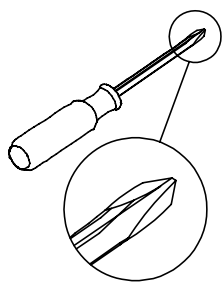
Attach the back drawer with screw



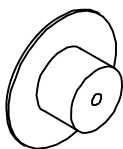
\* raw edges are shaded

# Step 11

---

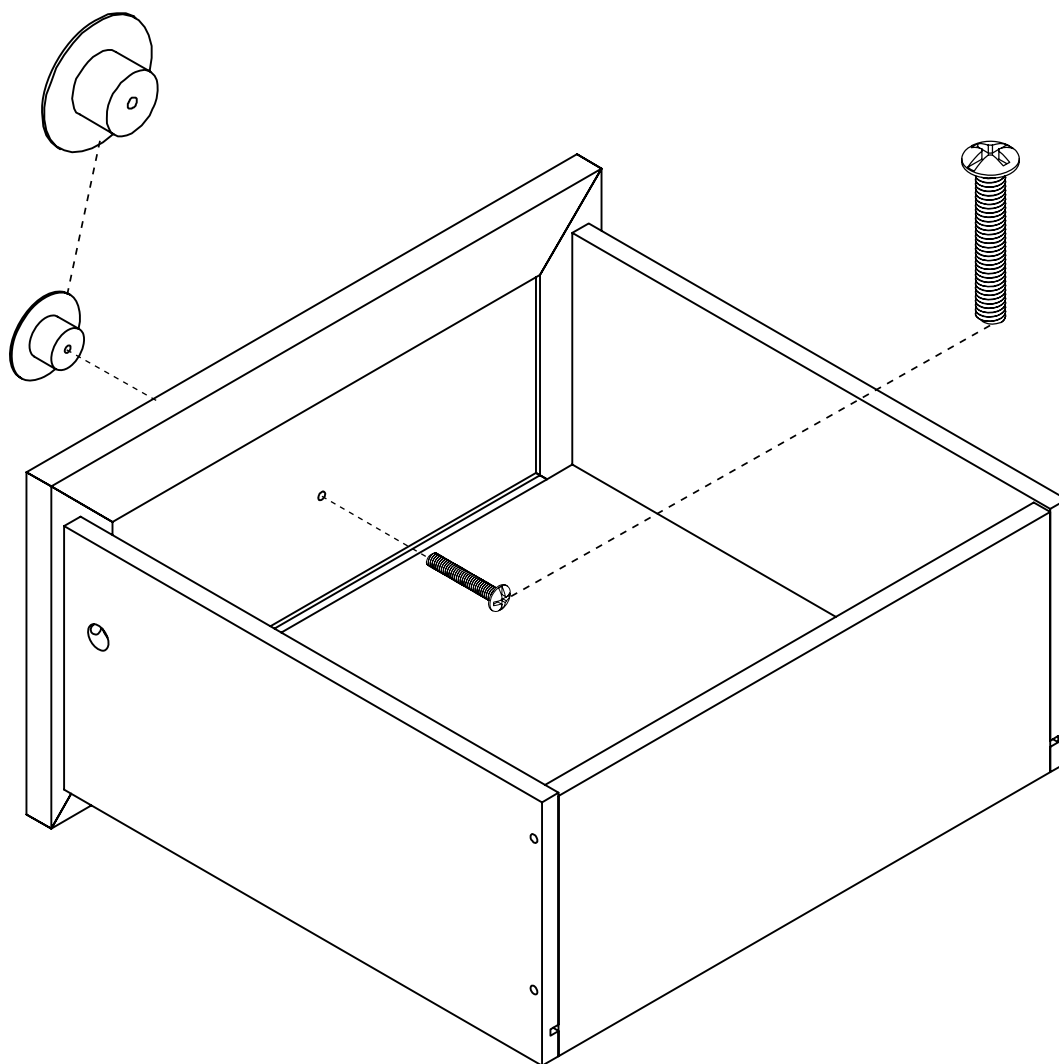


x1  
TUD0011



x1  
TUD0013

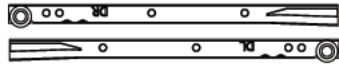
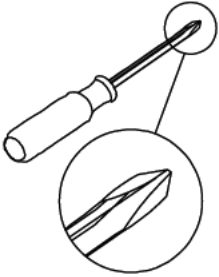
## Knob installation



\* raw edges are shaded

# Step 12

---

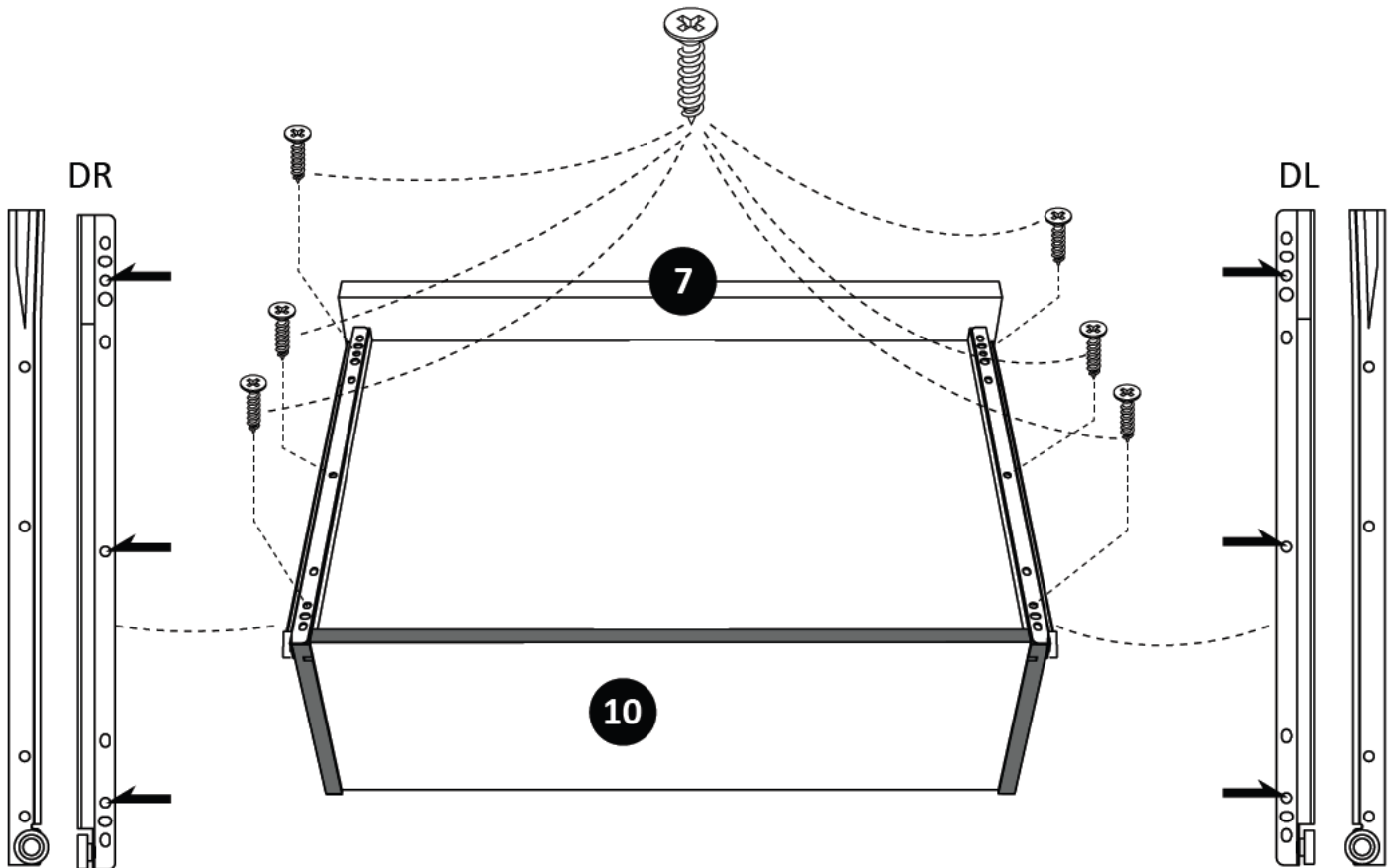


x1 (DR & DL)  
TUD0017



x6  
TUD0008

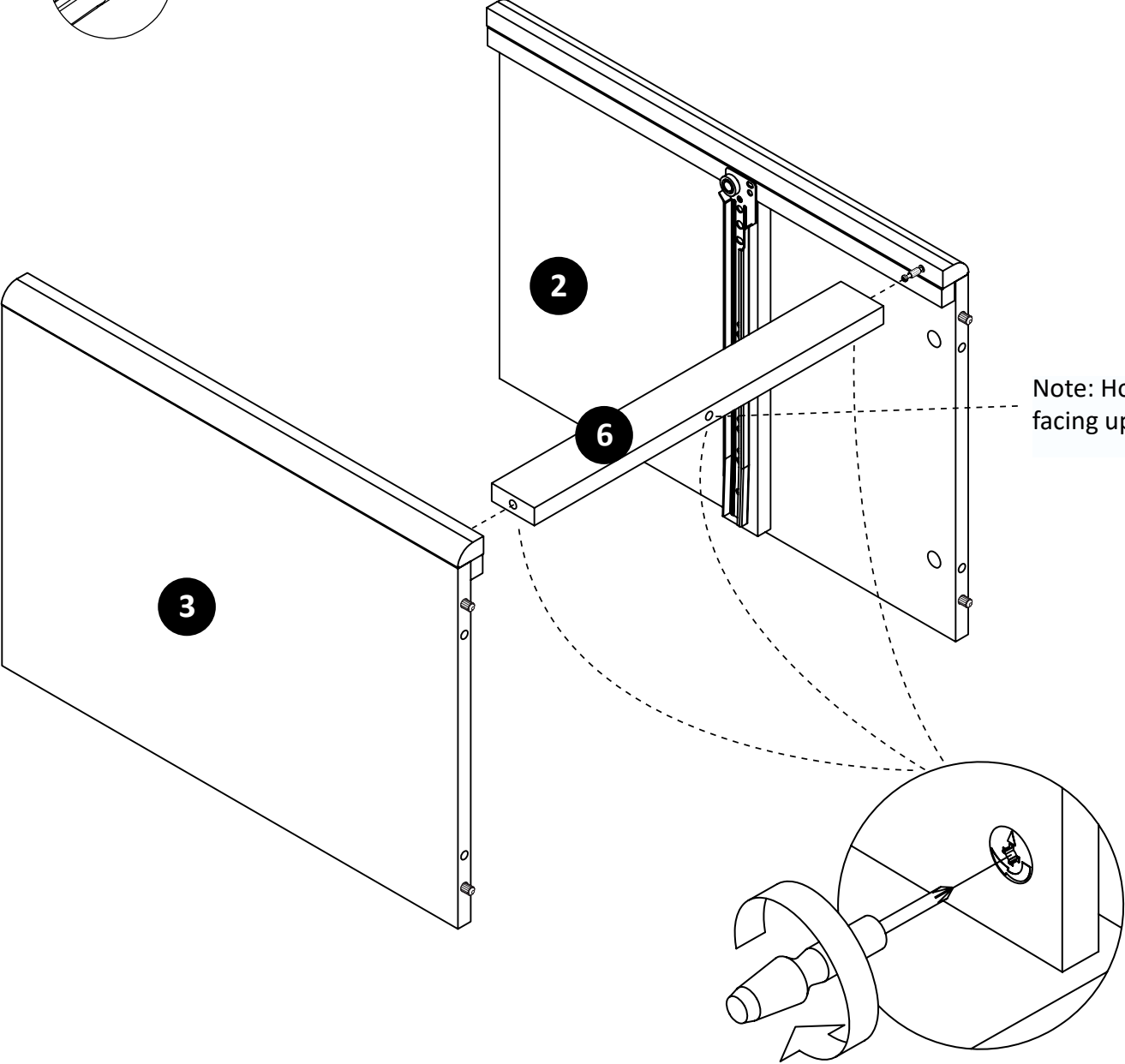
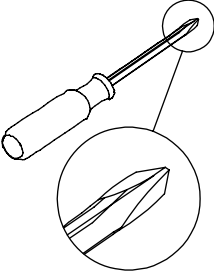
Attach drawer slide for drawer box



\* raw edges are shaded

# Step 13

Please ensure that Cam Lock fully tighten from bottom

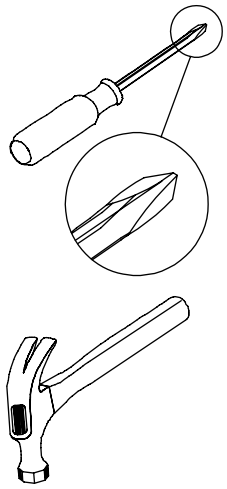


Note: Hole facing up

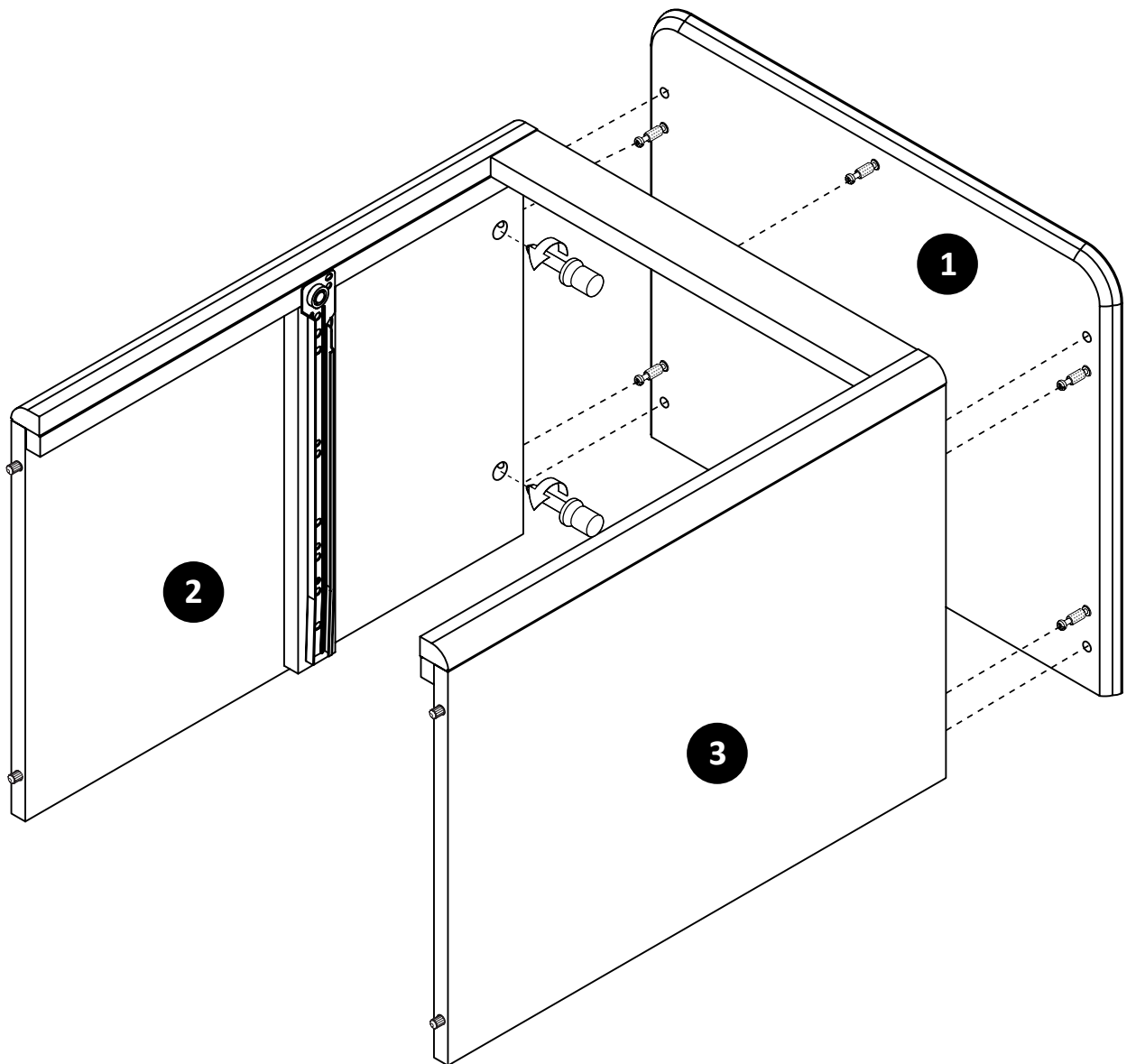
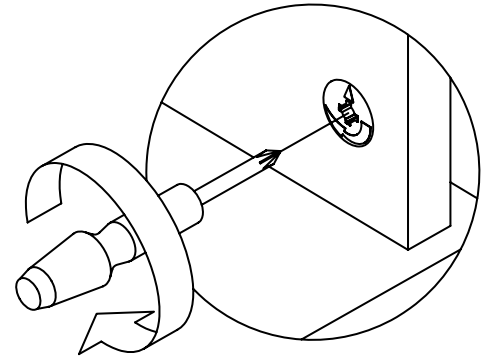
\* raw edges are shaded

# Step 14

---



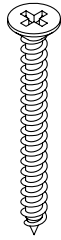
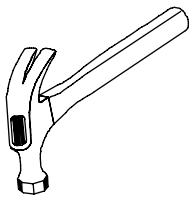
Attach the top panel



\* raw edges are shaded

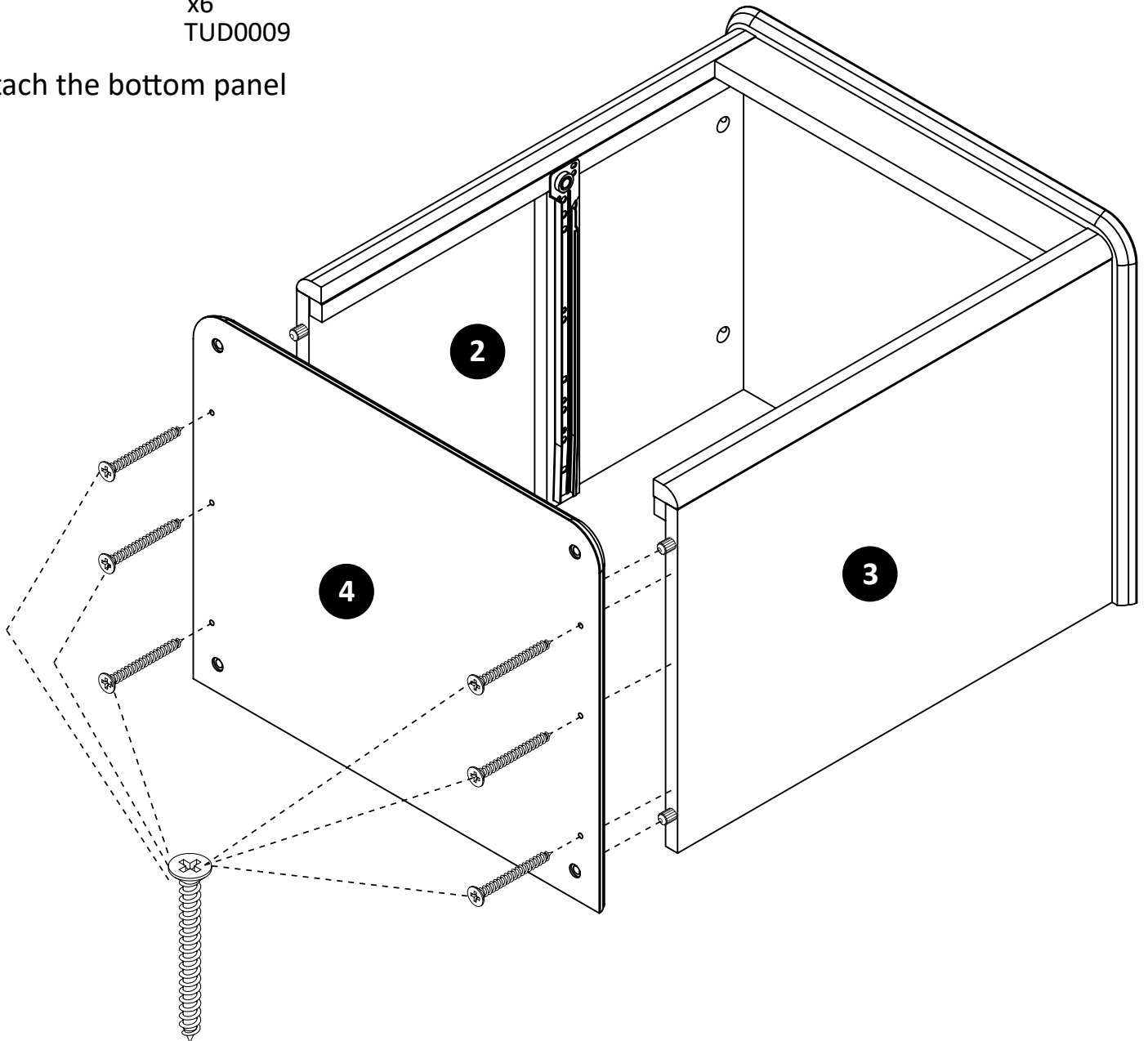
# Step 15

---



x6  
TUD0009

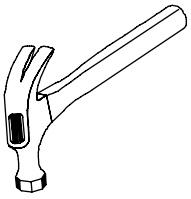
Attach the bottom panel



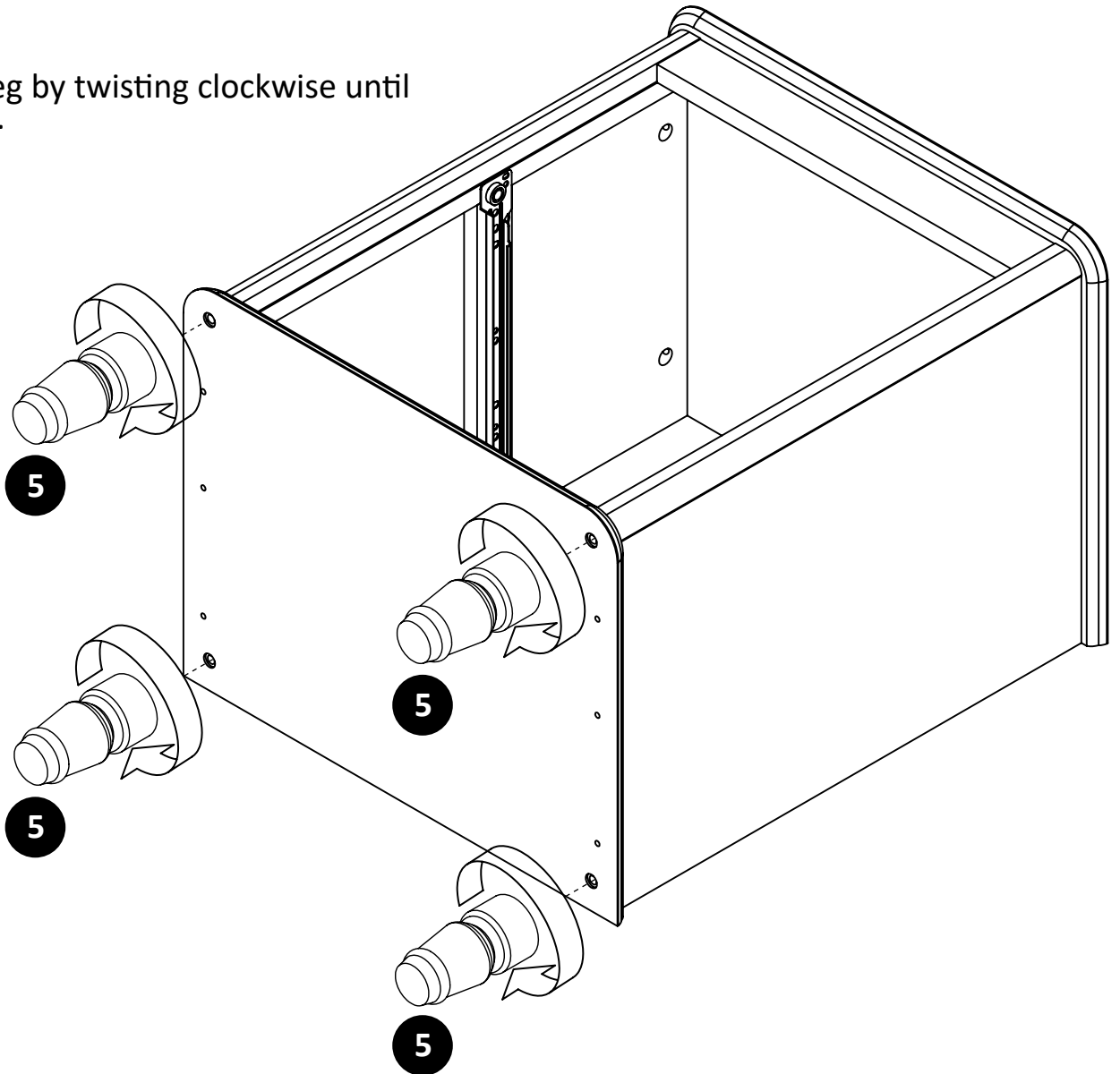
\* raw edges are shaded

# Step 16

---



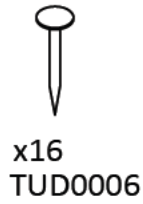
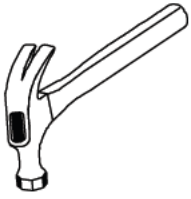
Attach the leg by twisting clockwise until fully tighten.



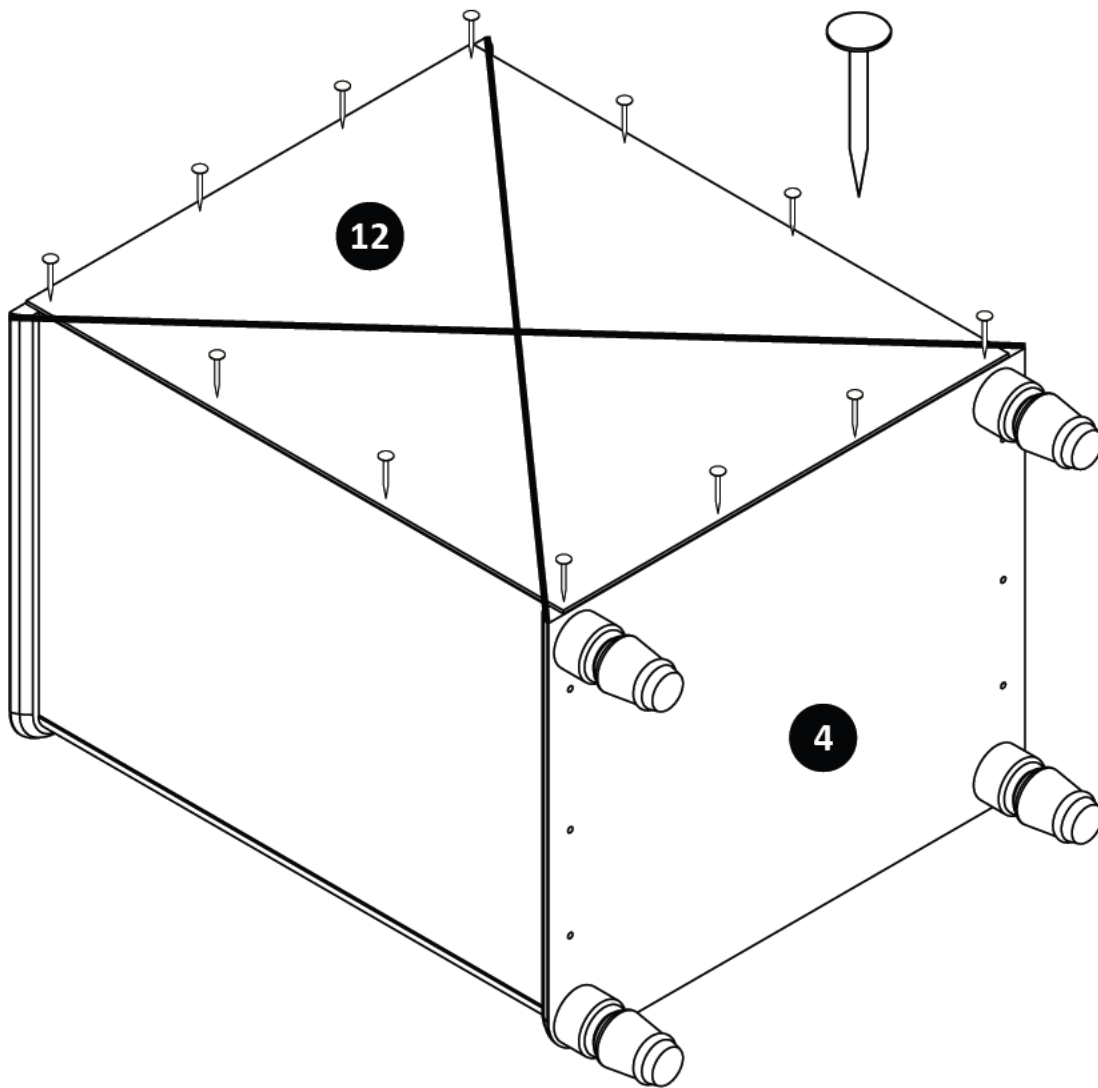
\* raw edges are shaded

# Step 17

---



Carefully turn the unit over onto its front as shown.  
Assure that the unit is square.  
Distance from corner to corner must be equal as shown.



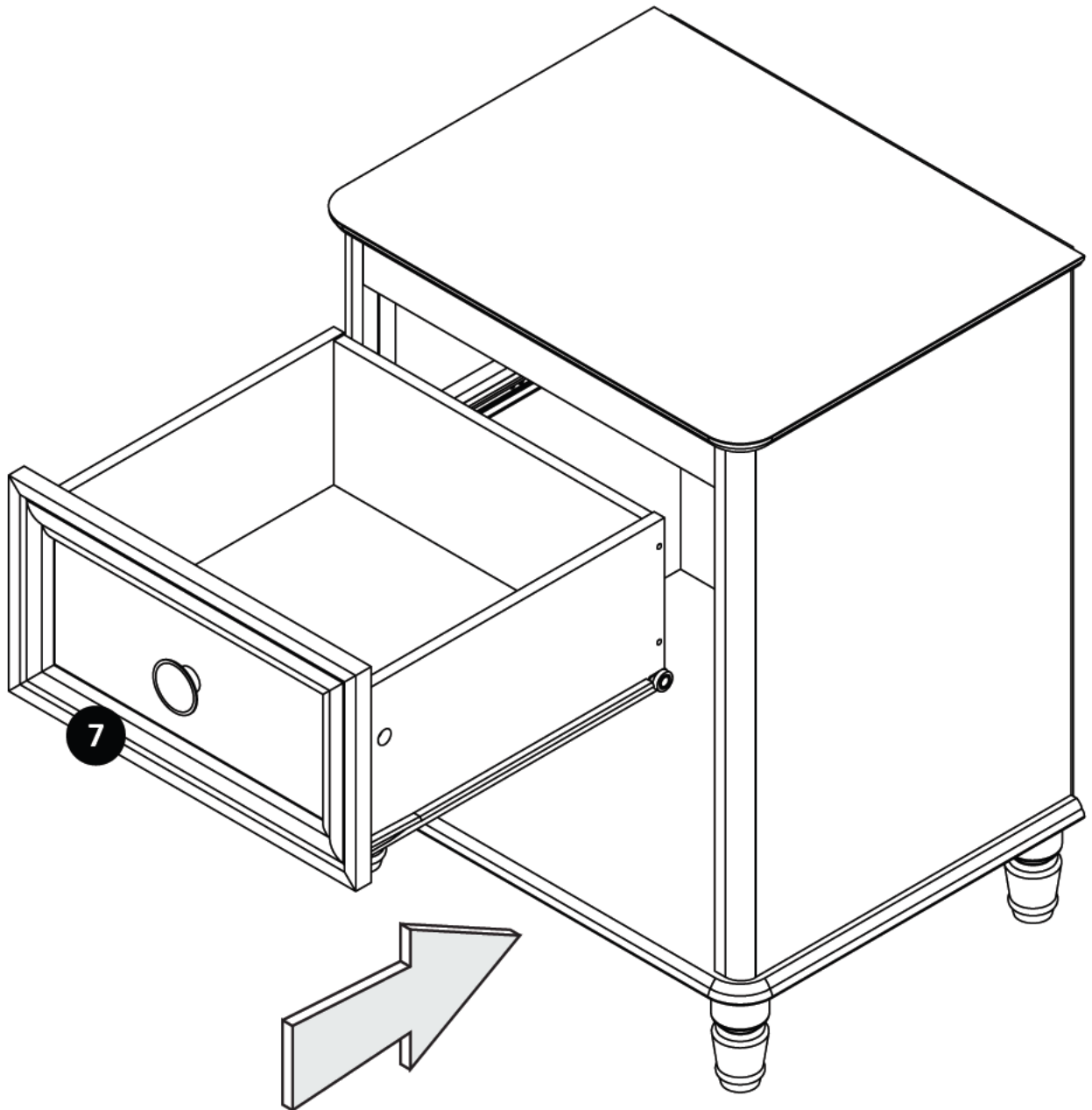
**IMPORTANT!** THE BACK PANEL IS A STRUCTURAL PART OF THIS UNIT AND MUST BE INSTALLED PROPERLY.

\* raw edges are shaded

# Step 18

---

Insert the drawer, carefully align the roller

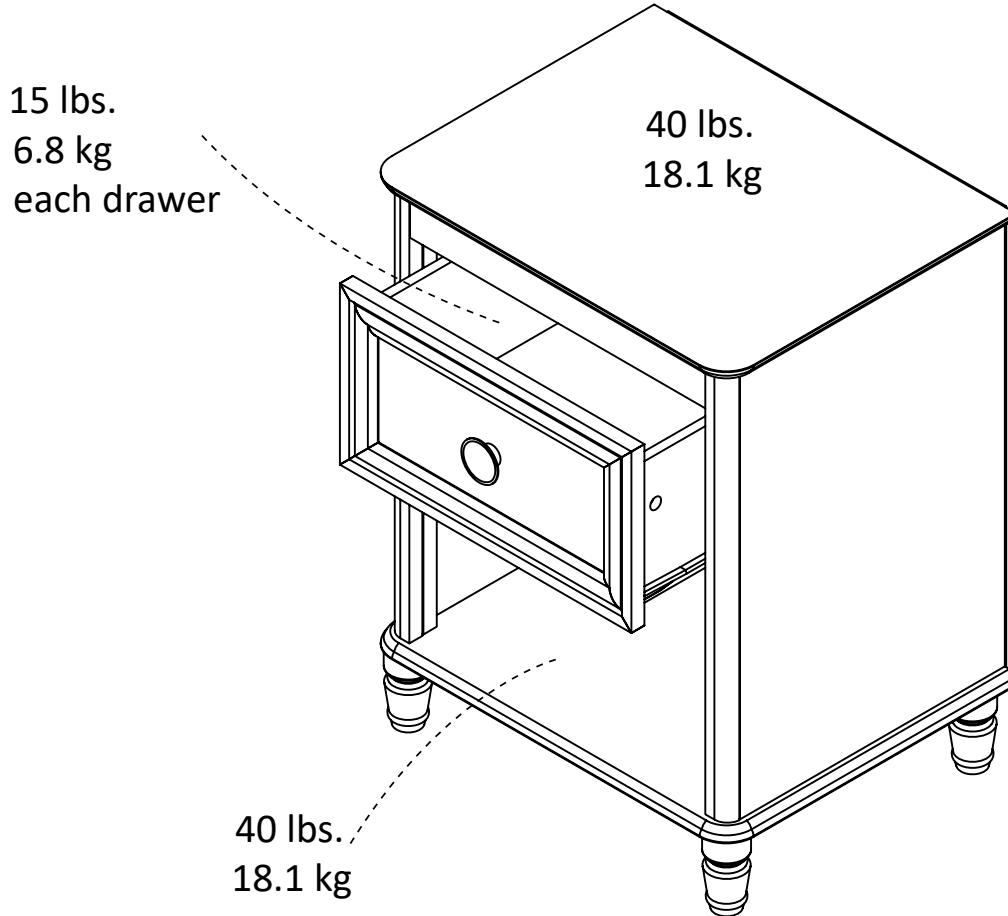


\* raw edges are shaded

# Maximum Loads

---

This unit has been designed to support the maximum loads shown. Exceeding these load limits could cause sagging, instability, product collapse, and/or serious injury.



**Warning: Risk of serious injury to person - do not place a television on this furniture. This furniture is not approved for use with a television.**

---