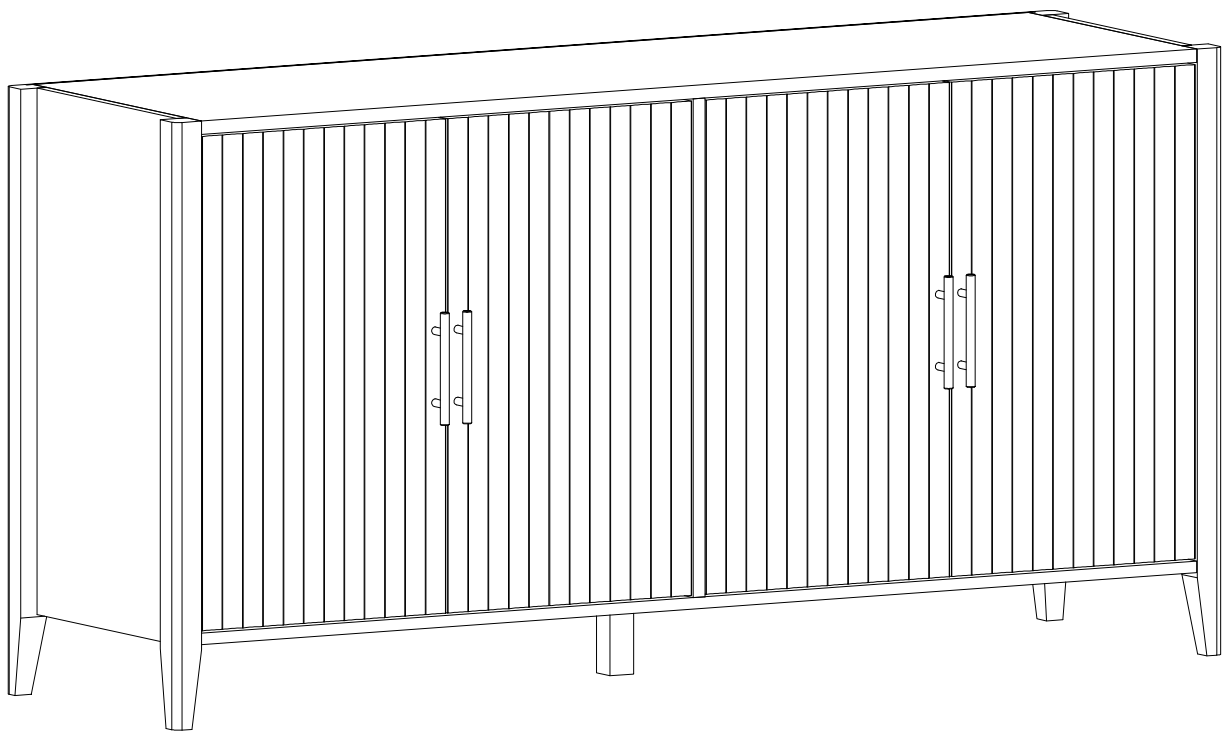
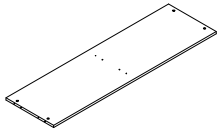
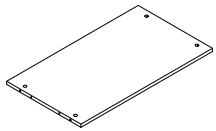
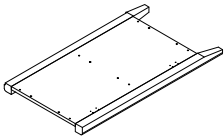

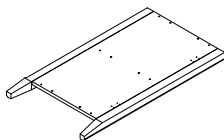
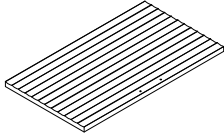
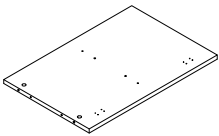
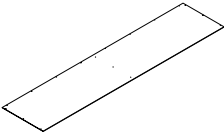
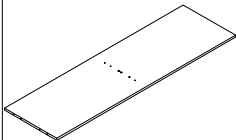


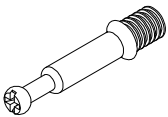


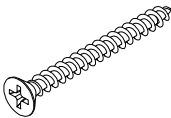
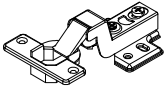

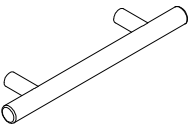
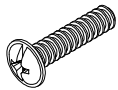
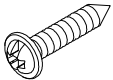
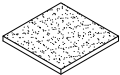

# Installation & Assembly



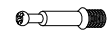
# PARTS LIST

NO	DESCRIPTION	SKETCH	QTY	NO	DESCRIPTION	SKETCH	QTY
①	Top panel		1pc	⑥	Fixed shelf		2pcs
②	Left side frame		1pc	⑦	Leg		1pc
③	Right side frame		1pc	⑧	Door		4pcs
④	Center divided panel		1pc	⑨	Back panel		2pcs
⑤	Bottom panel		1pc				

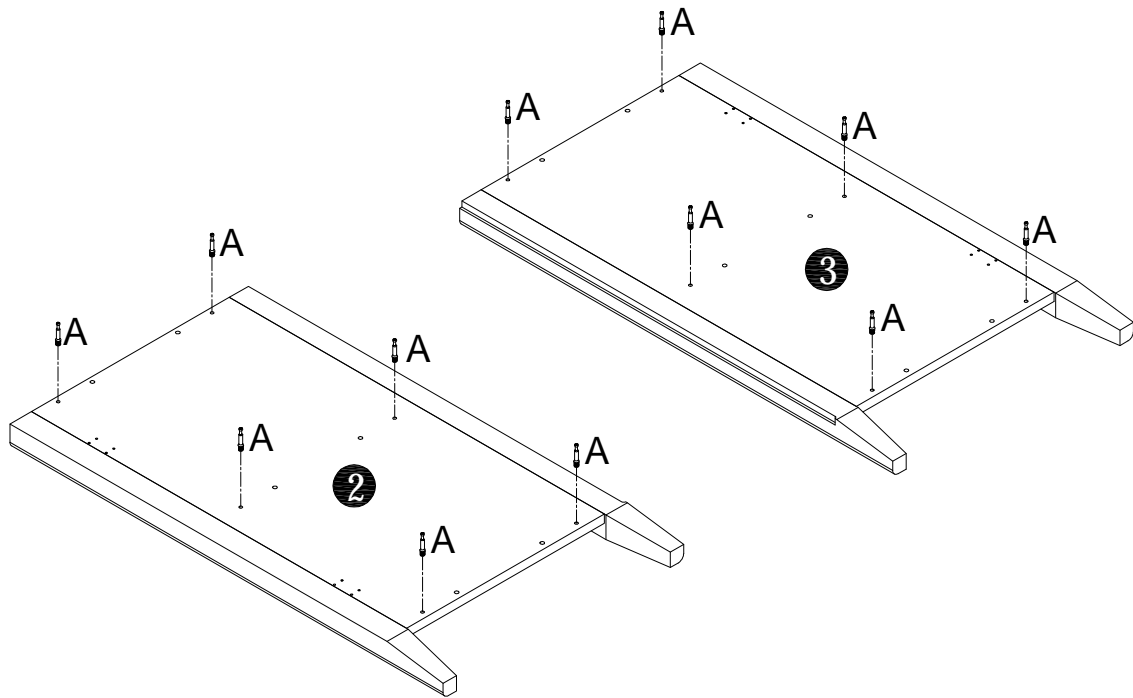
# HARDWARE LIST

A x 18  Ø6x35mm	B x 18  Ø15x9mm	C x 16  Ø6x30mm	D x 4  Ø4x40mm	E x 8 	F x 48  Ø4x12mm
G x 4 	H x 8  Ø4x18mm	I x 34  Ø2.5x10mm	J x 5 	K x 2  Ø6x60mm	

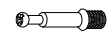
1



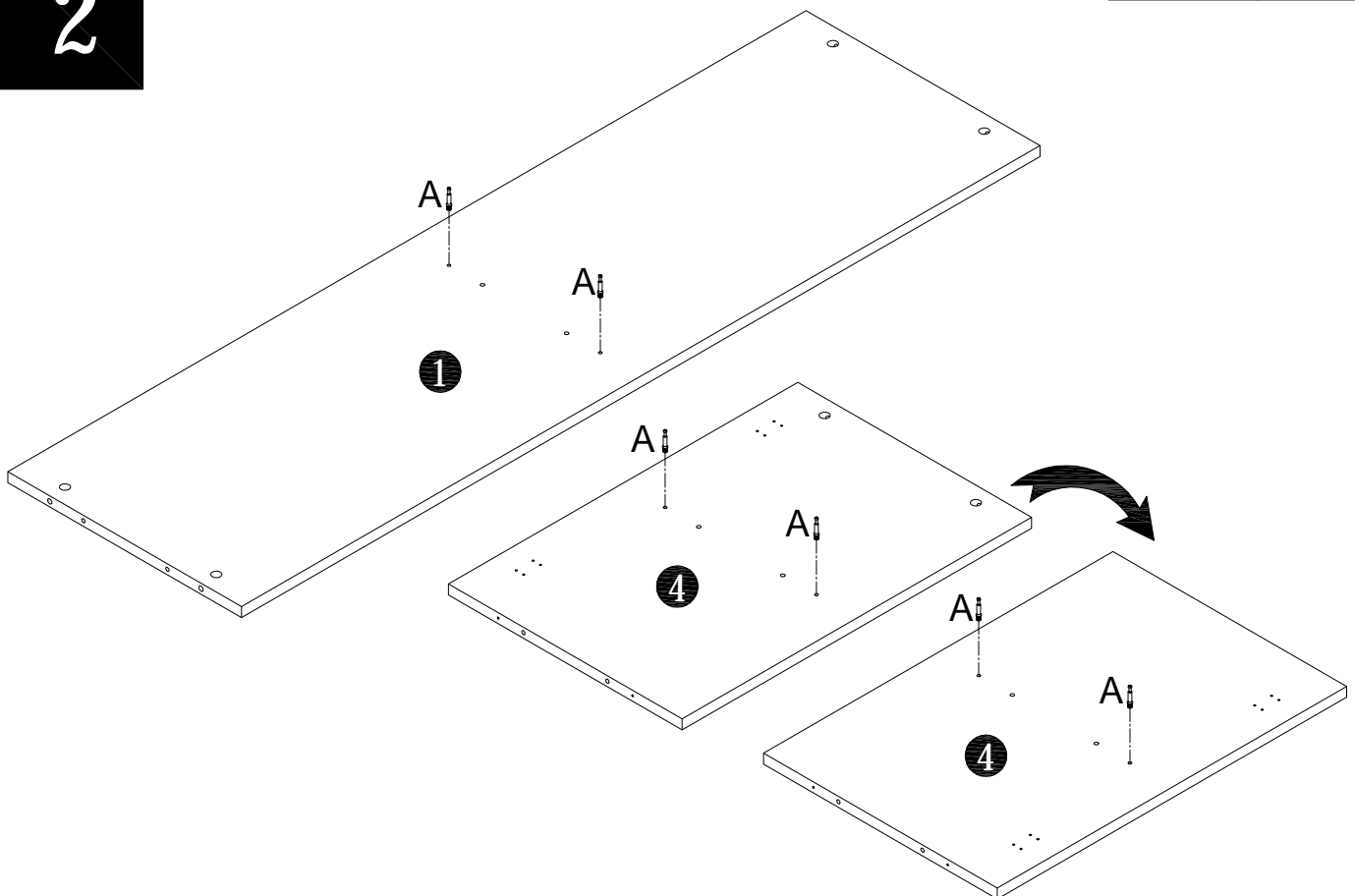
Ax12pcs





2

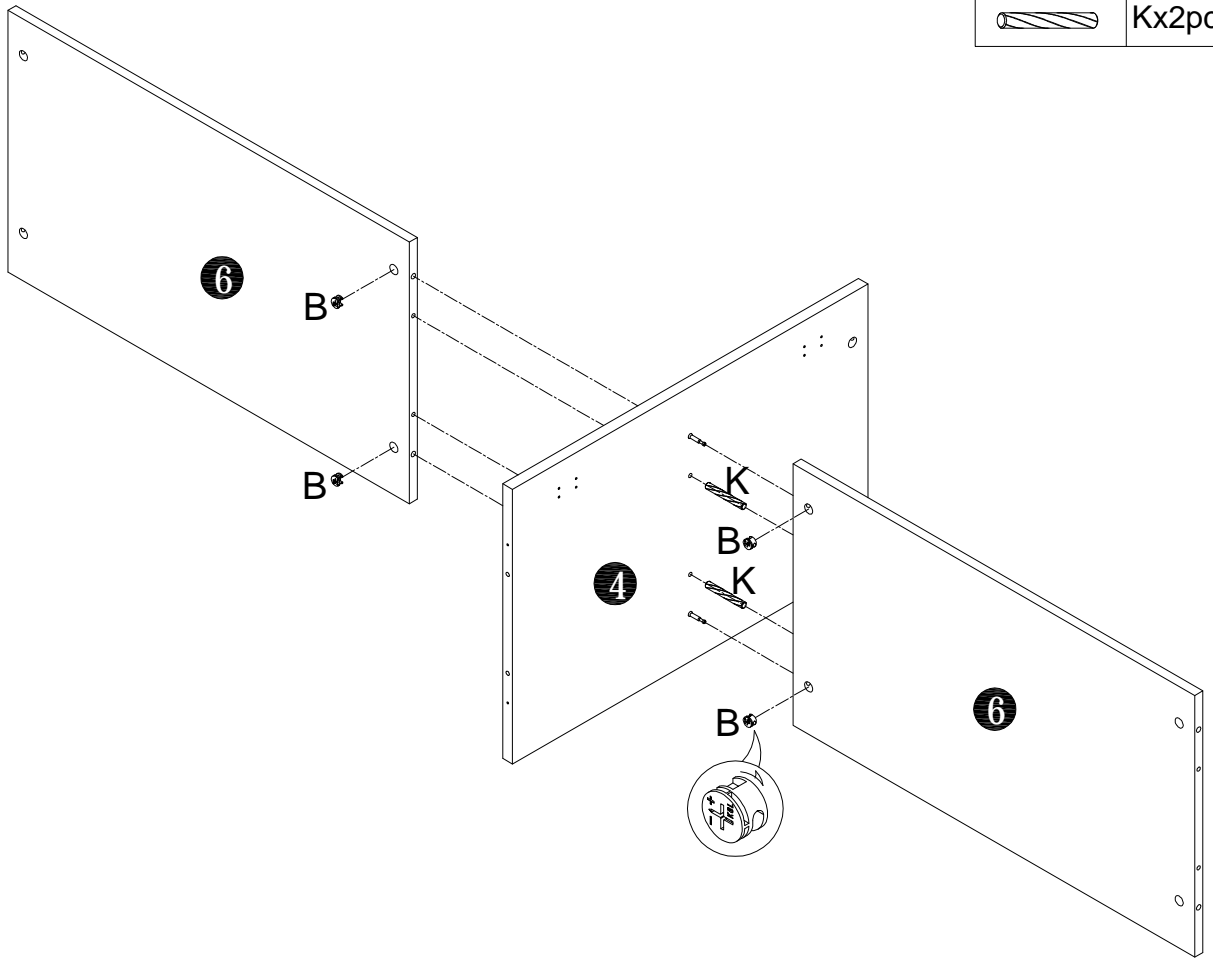


Ax6pcs



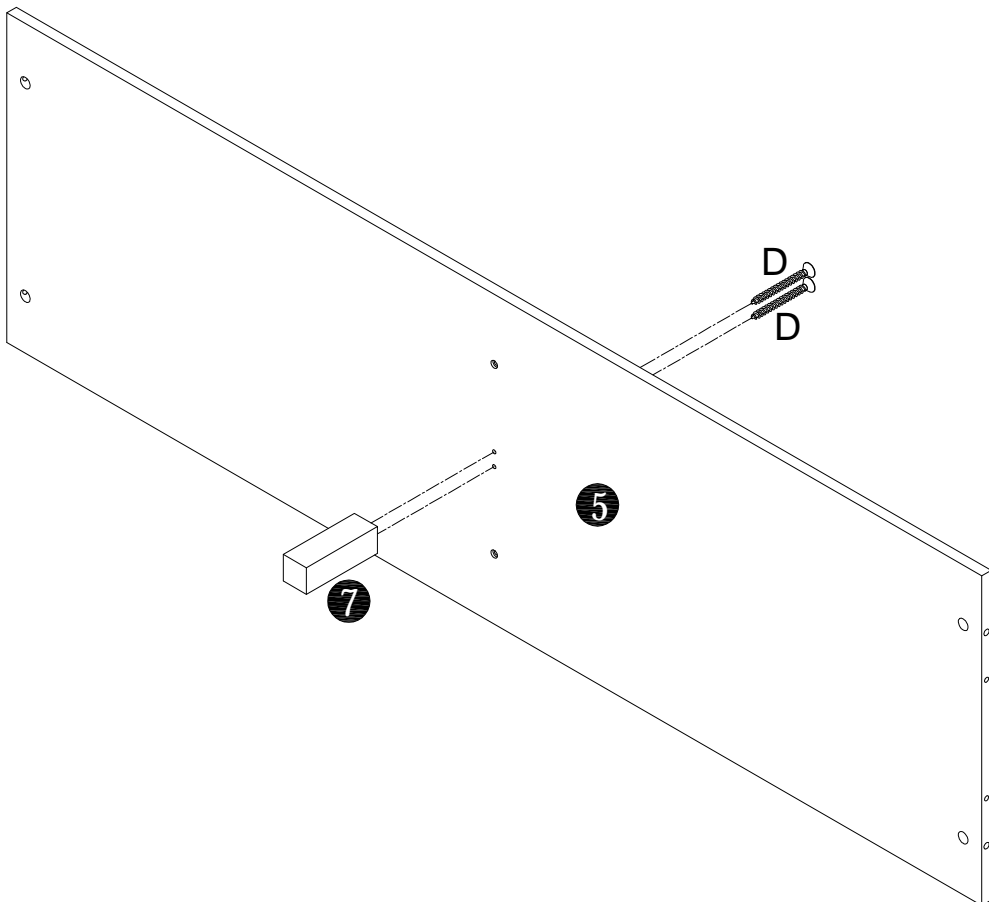
3

	Bx4pcs
	Kx2pcs

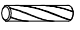
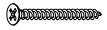


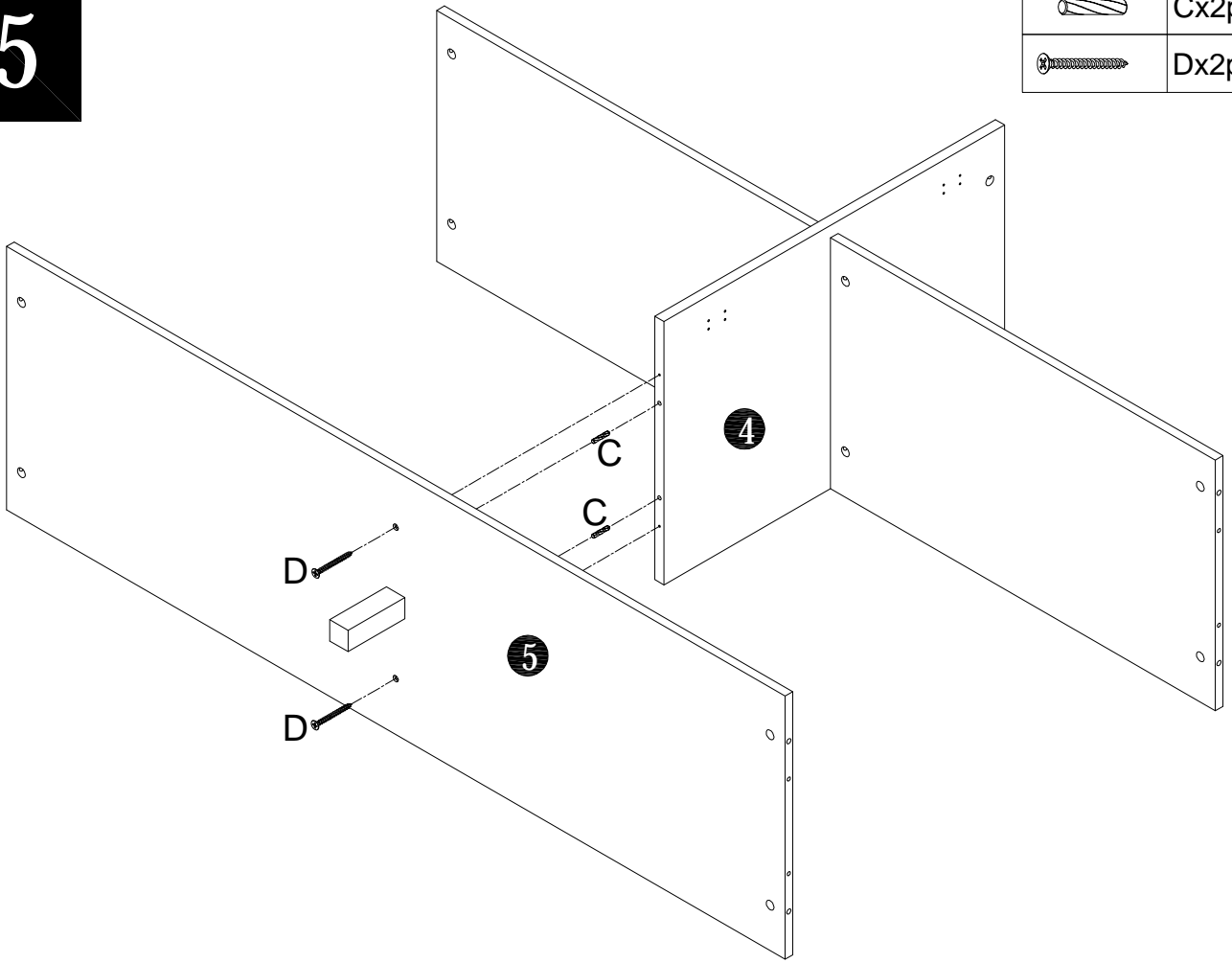
4

	Dx2pcs
---------------------------------------------------------------------------------------	--------




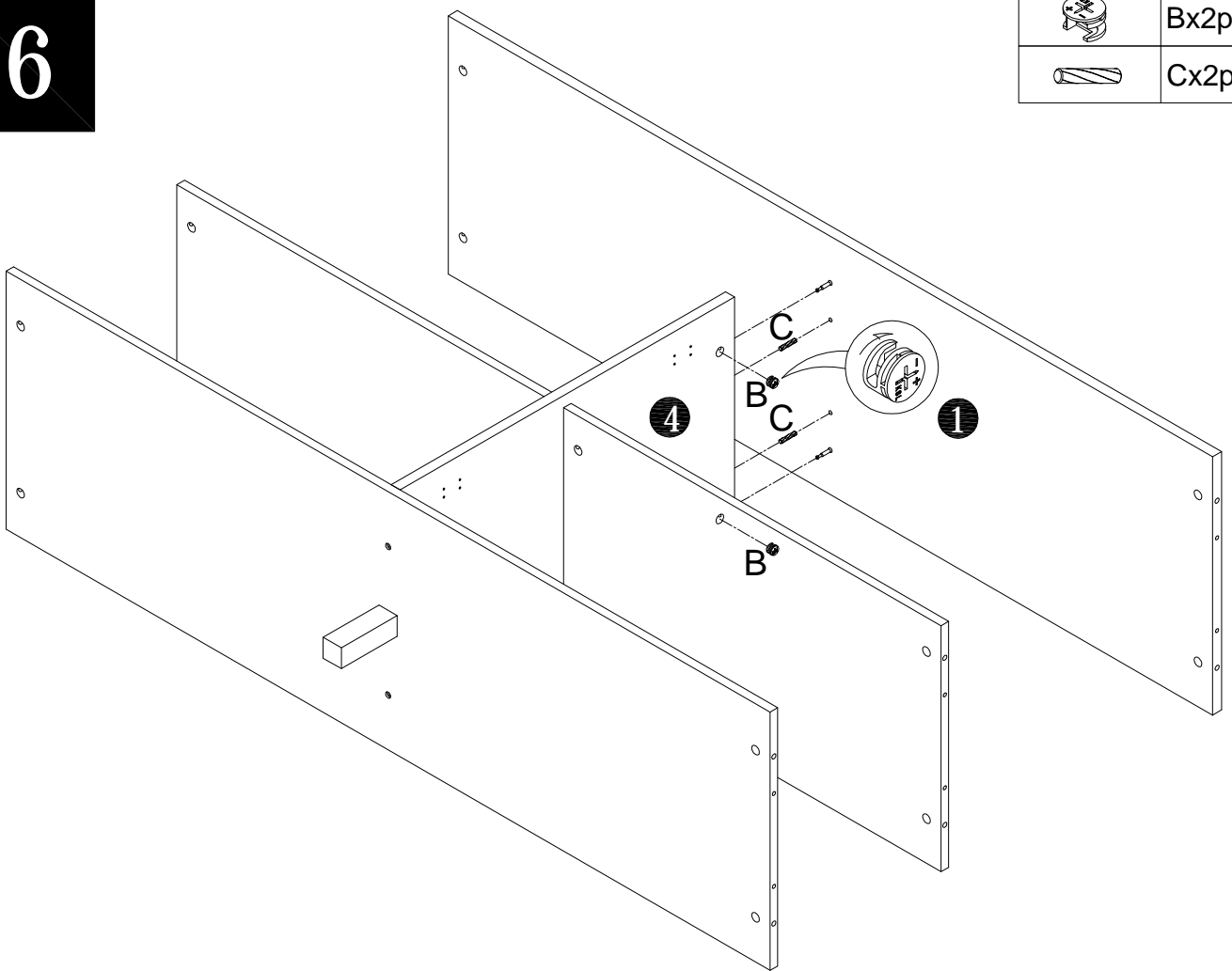
5

	Cx2pcs
	Dx2pcs


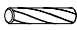


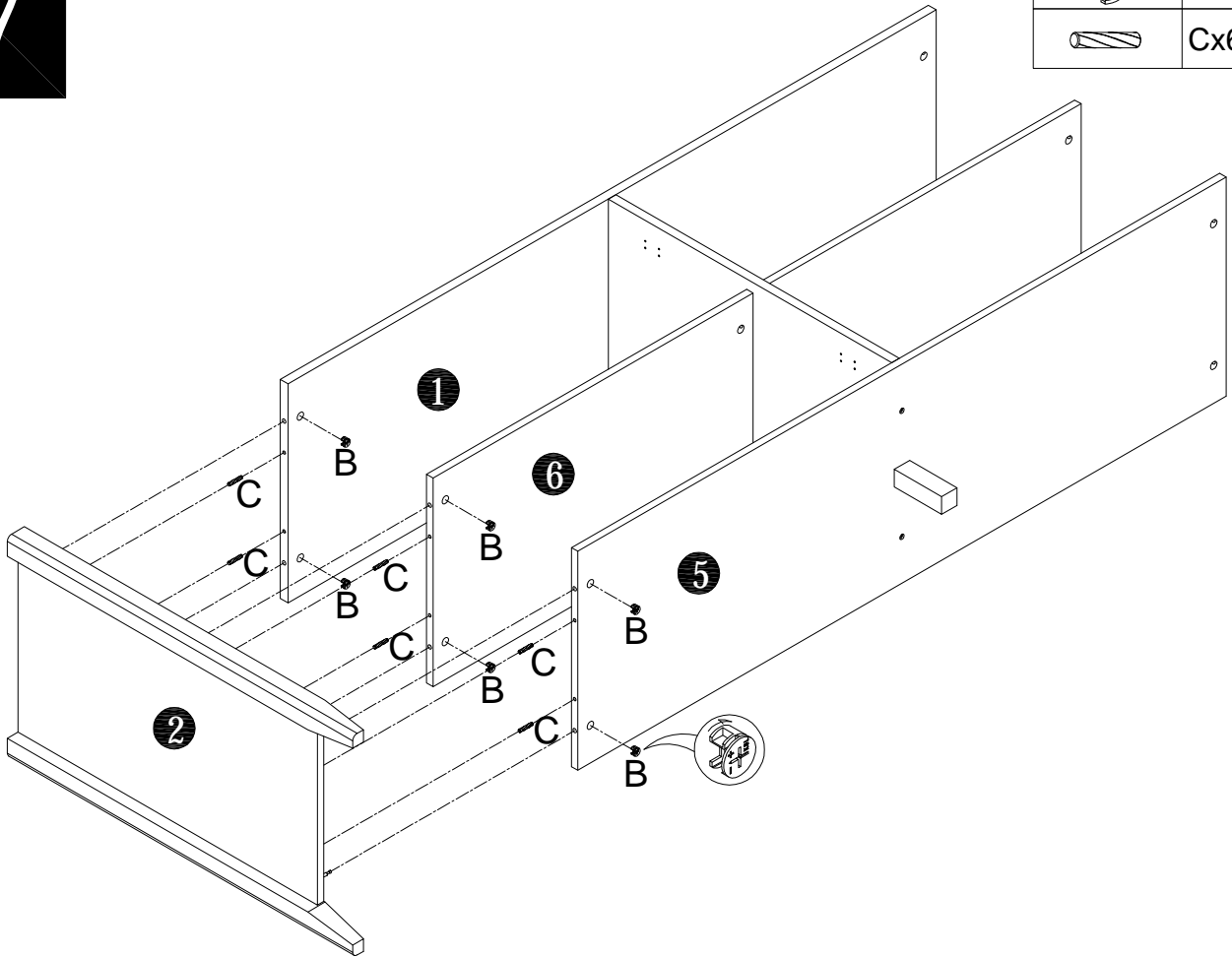
6

	Bx2pcs
	Cx2pcs


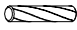



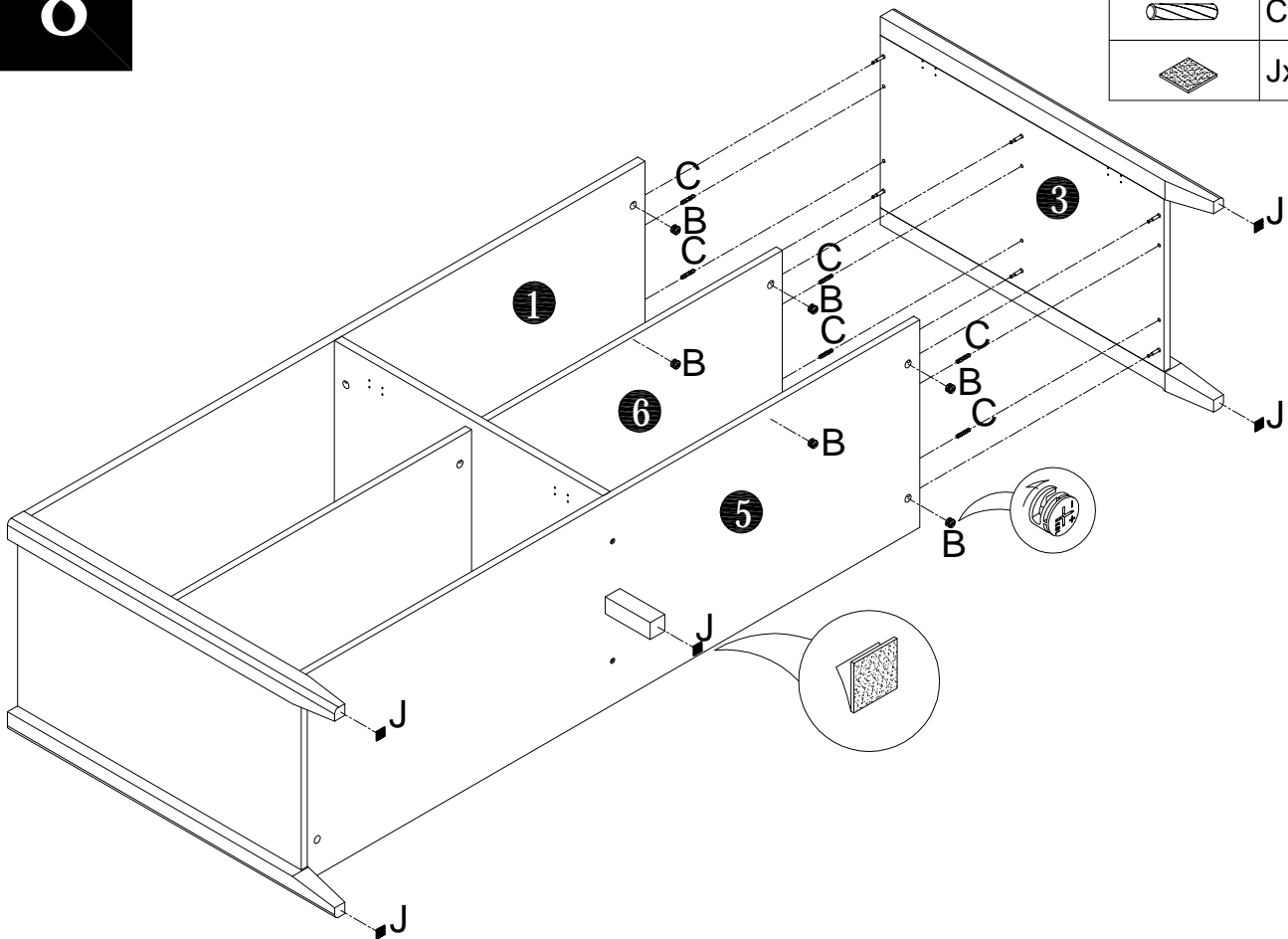
7

	Bx6pcs
	Cx6pcs

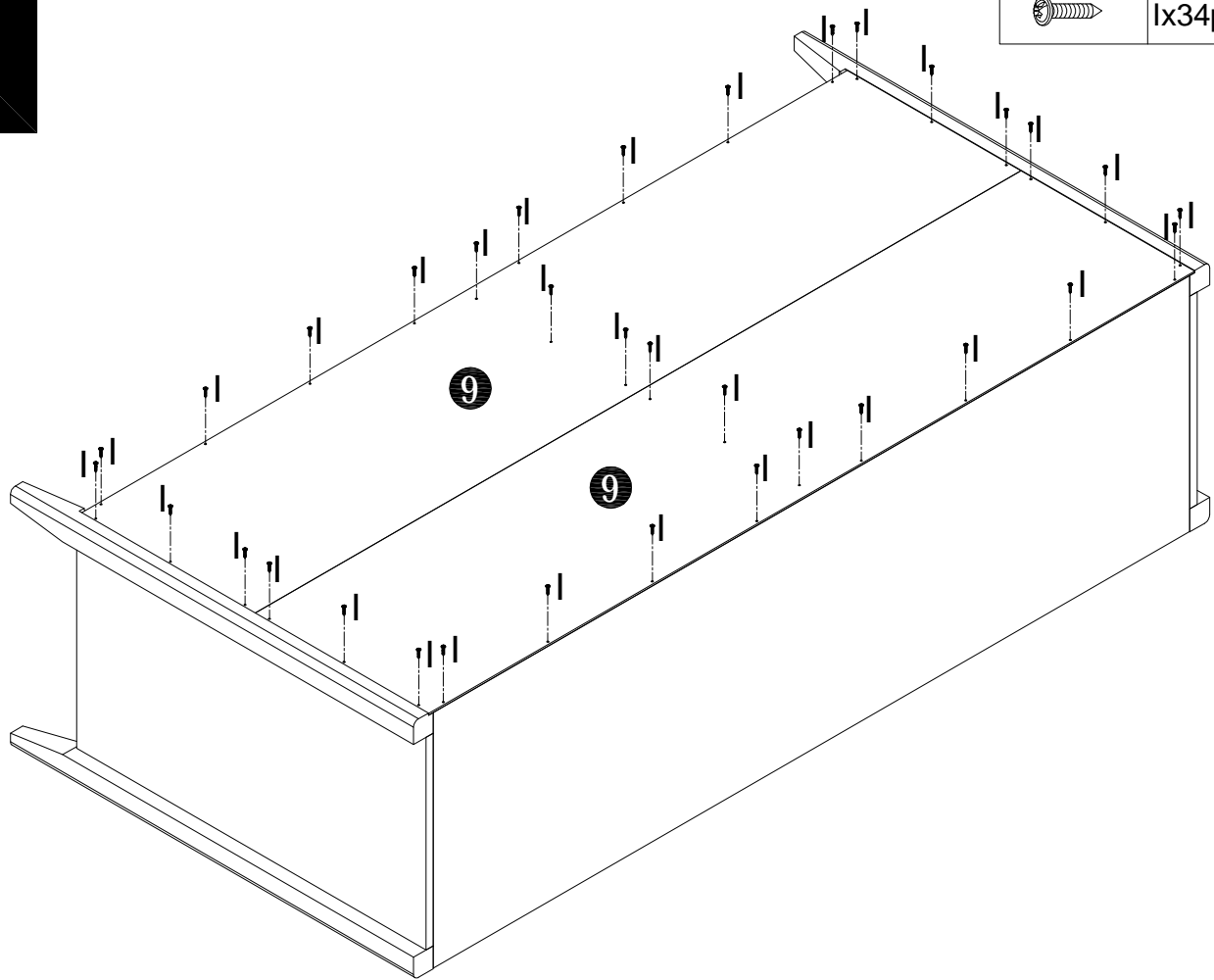


8

	Bx6pcs
	Cx6pcs
	Jx5pcs



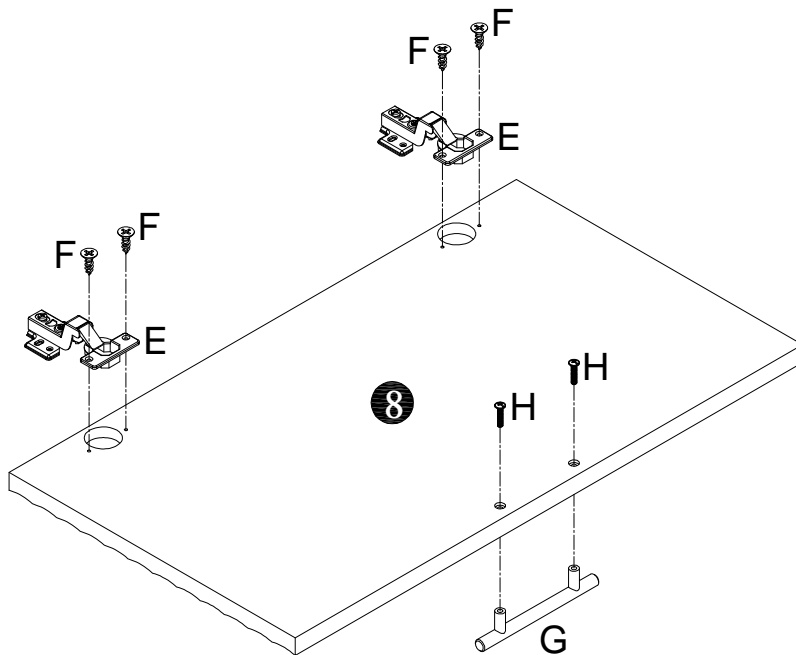
9



1x34pcs

10

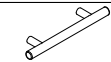
x4



Ex8pcs



Fx16pcs



Gx4pcs



Hx8pcs

