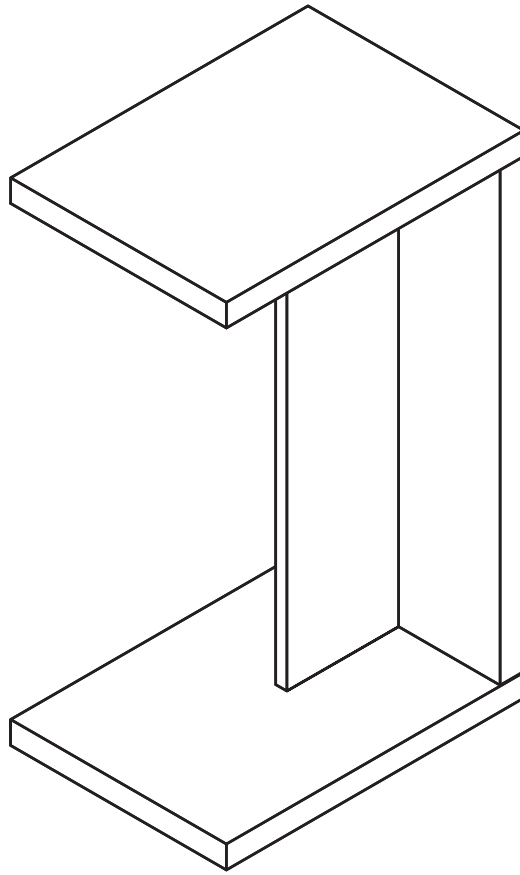


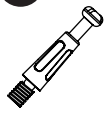

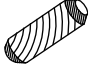
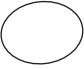

C END TABLE



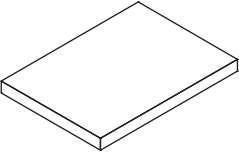
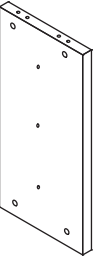
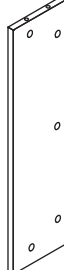
ASSEMBLY INSTRUCTIONS

We have designed our furniture with you , the customer in mind . Our clear , easy to follow , step by step instructions will guide you through the project from start to finish . Feel confident that this will be a fun and rewarding project . The final product will be a quality piece of furniture that will go together smoothly and give years of enjoyment .

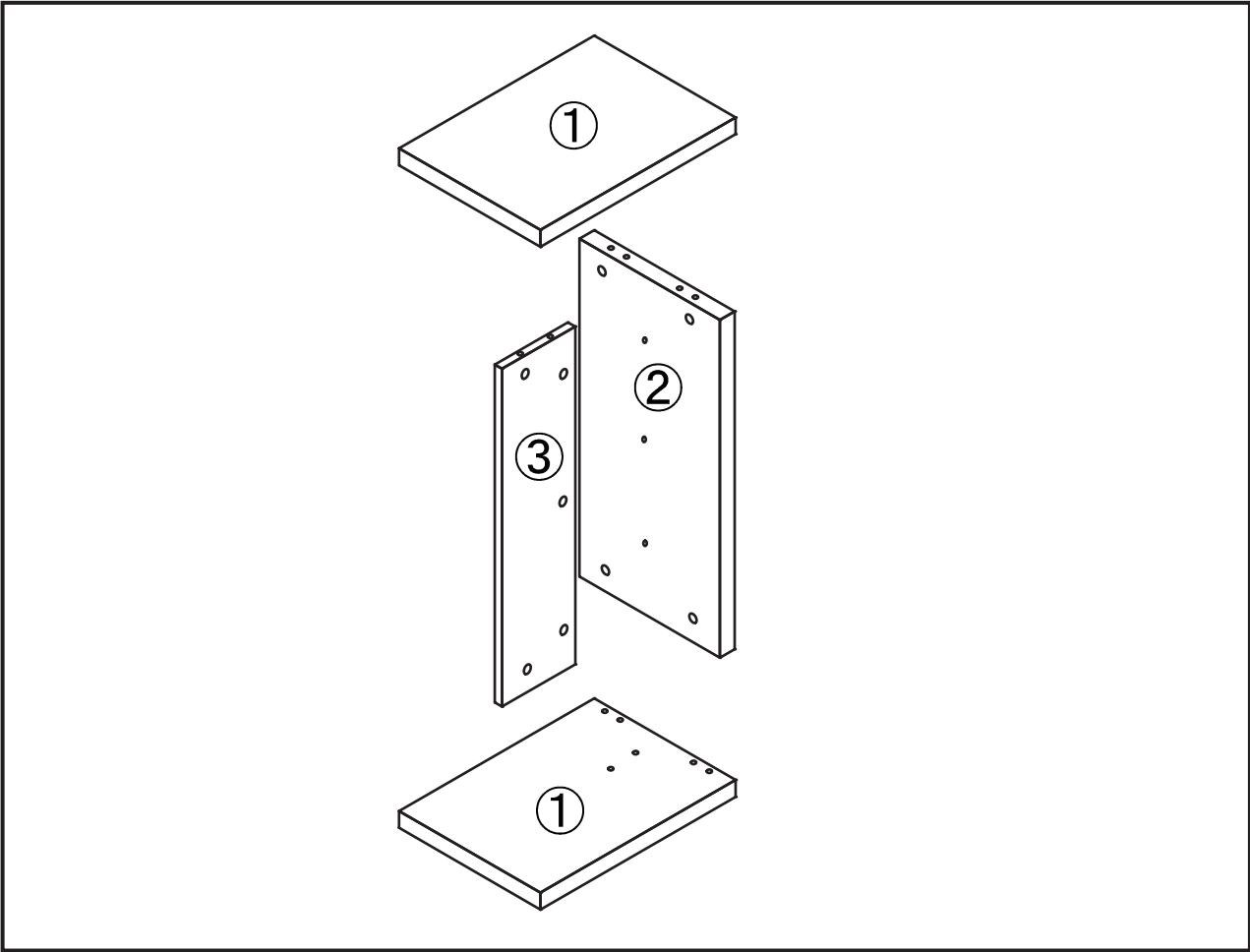
Hardware List

A 	B 	G 	D 	E 	
Cambolt (9pcs)	Camlock (9pcs)	Wood dowel (6pcs)	Sticker (9pcs)	Glue (1pc)	

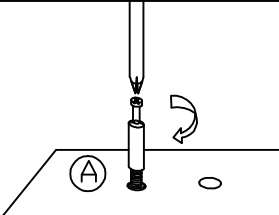
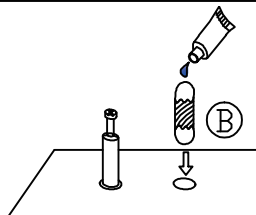
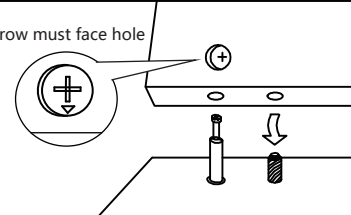
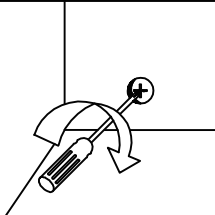
Panel List

1 	2 	3 
Panel (2pcs)	Back Panel (1pc)	Middle Support Panel (1pc)

Exploded Views

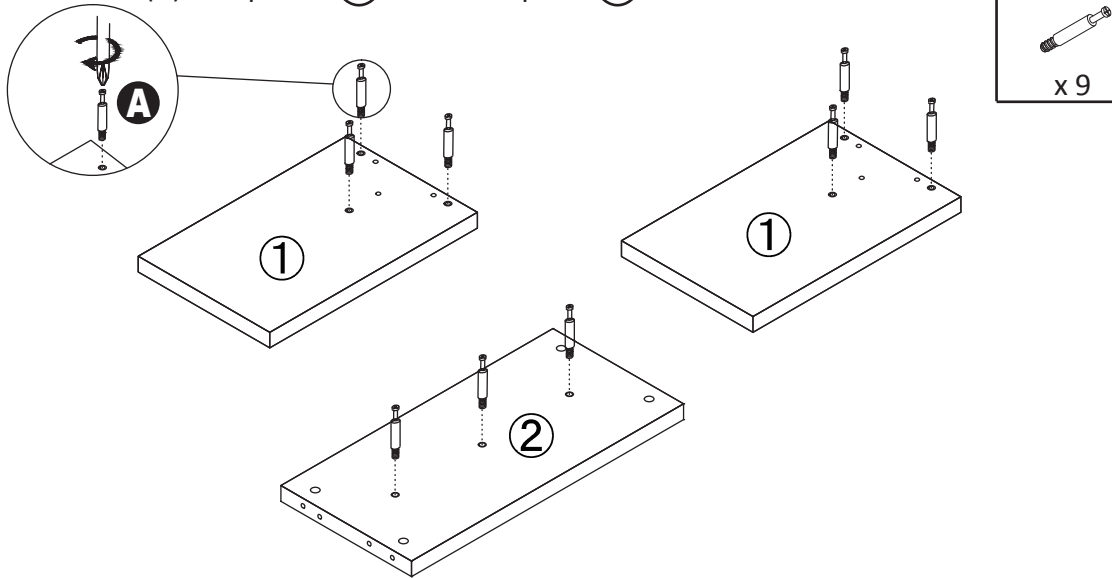


Assembling the unit with camlocks and wood dowels.

			
<p>Gently screw cam bolt into the threaded anchor.</p>	<p>Lightly glue one end of the wood dowel and tap halfway into hole.</p>	<p>Lightly glue wood dowel and connect to second panel by inserting dowels into holes.</p>	<p>Screw the camlock firmly into locked position.</p>

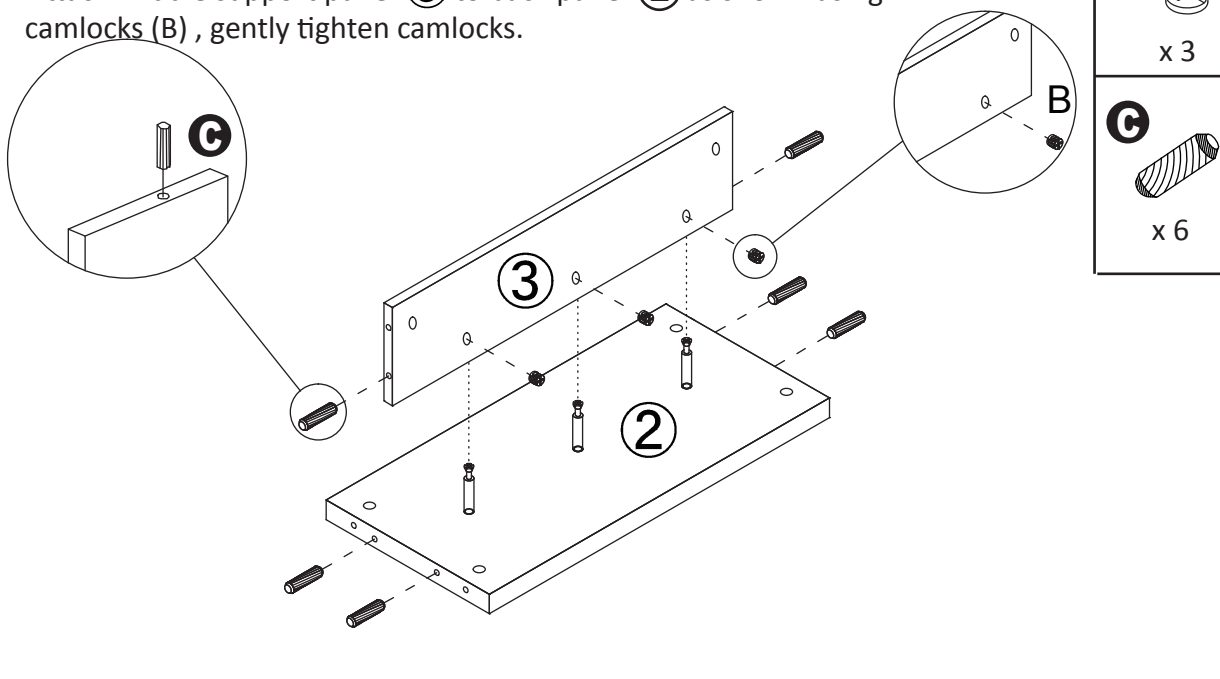
Step 1

1. Screw cambolts (A) into panels ① and back panel ② as shown .



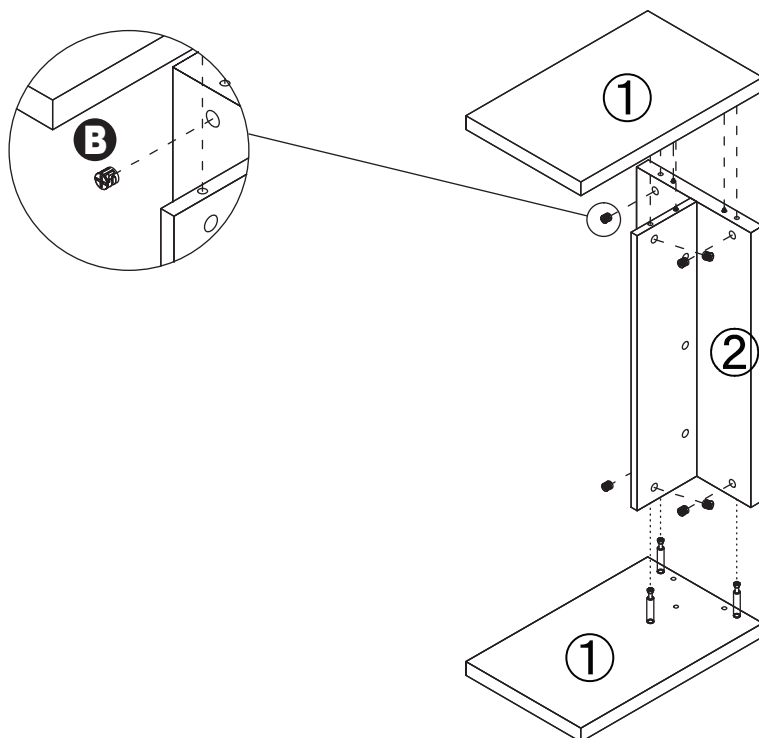
Step 2

1. Insert wood dowels (C) into back panel ② and middle support panel ③ as shown .
2. Attach middle support panel ③ to back panel ② as shown using camlocks (B) , gently tighten camlocks.



Step 3

1. Attach panels ① to assembly as shown using camlocks (B), gently tighten camlocks..



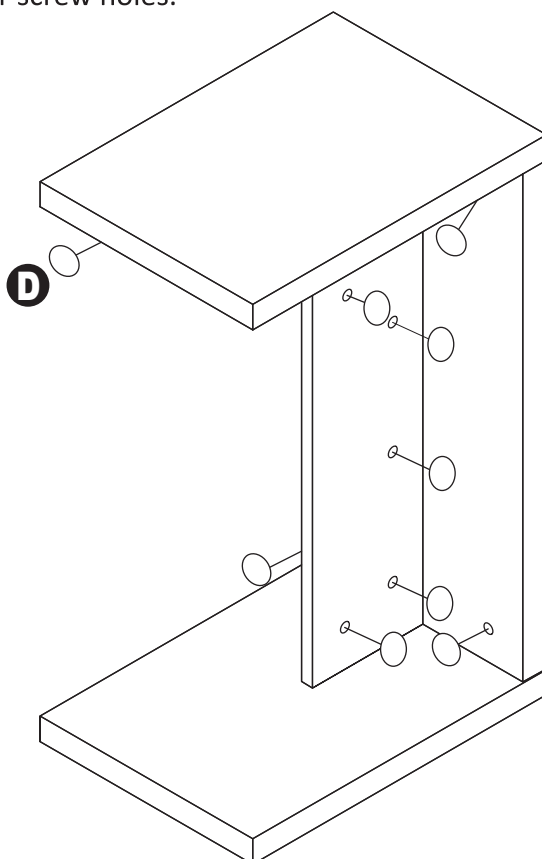
B



x 6

Step 4

1. Place hole stickers (D) over screw holes.
2. Enjoy.



D



x 9