

ASSEMBLY INSTRUCTIONS

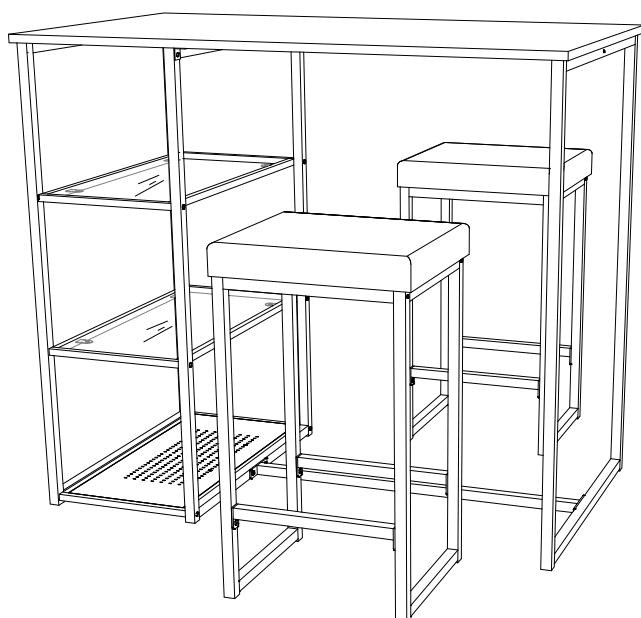
WF194723AAK-DINING CHAIR

IMPORTANT NOTE:

****PLACE ALL PARTS ON A CLEAN AND SMOOTH SURFACE SUCH AS A RUG OR CARPET TO AVOID THE PARTS FROM BEING SCRATCHED.**

****BEFORE YOU BEGIN, KINDLY FOLLOW THE ASSEMBLY INSTRUCTIONS STEP BY STEP.**

****DO NOT TIGHTEN ALL SCREWS AND BOLTS UNTIL THE CHAIR IS FULLY SET-UP.**



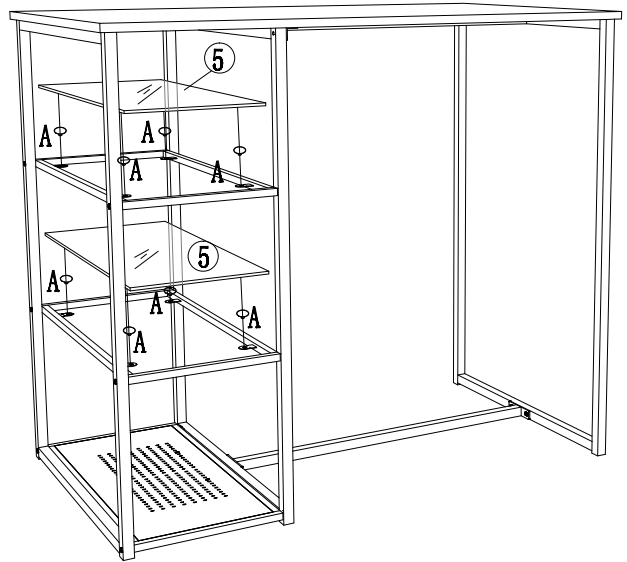
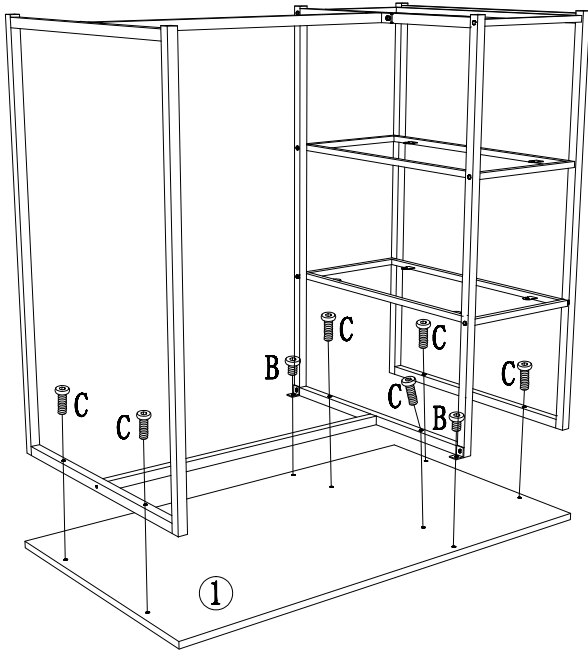
CARTON ONLY ONE / CARTONS SEULEMENT UN

PART LISTS				PART LISTS			
NO.	DESCRIPTION	SKETCH	Q'TY	NO.	DESCRIPTION	SKETCH	Q'TY
1	TABLE TOP		1PC	5	GLASS		2PCS
2	TABLE SIDE FRAME/RIGHT		1PC	6	TABLE UNDER FRAME		2PCS
3	TABLE SIDE FRAME/MIDDLE		1PC	7	TABLE UNDER FRAME		1PC
4	TABLE SIDE FRAME/LEFT		1PC	8	TABLE UNDER JOINT LEVER		1PC

ASSEMBLY INSTRUCTIONS

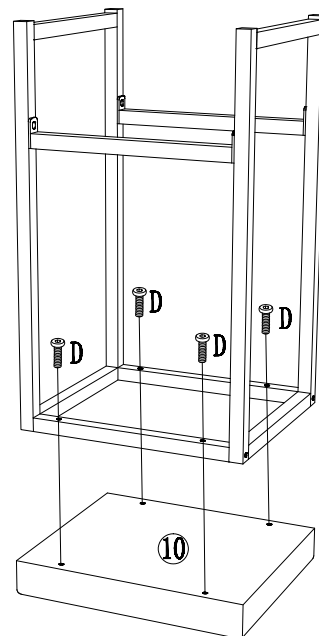
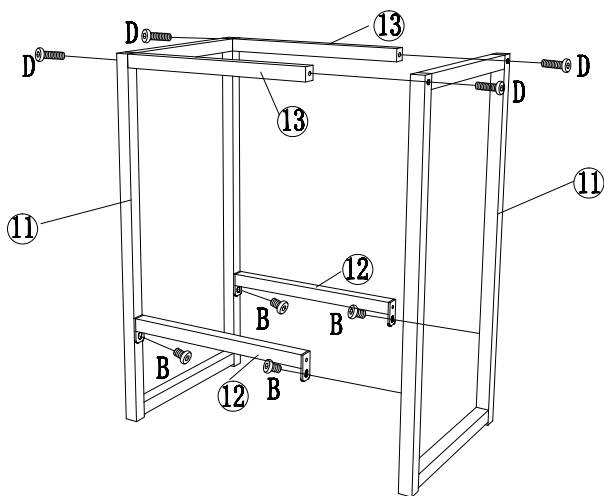
STEP 2:

STEP 3:



STEP 4:

STEP 5:



x2

x2