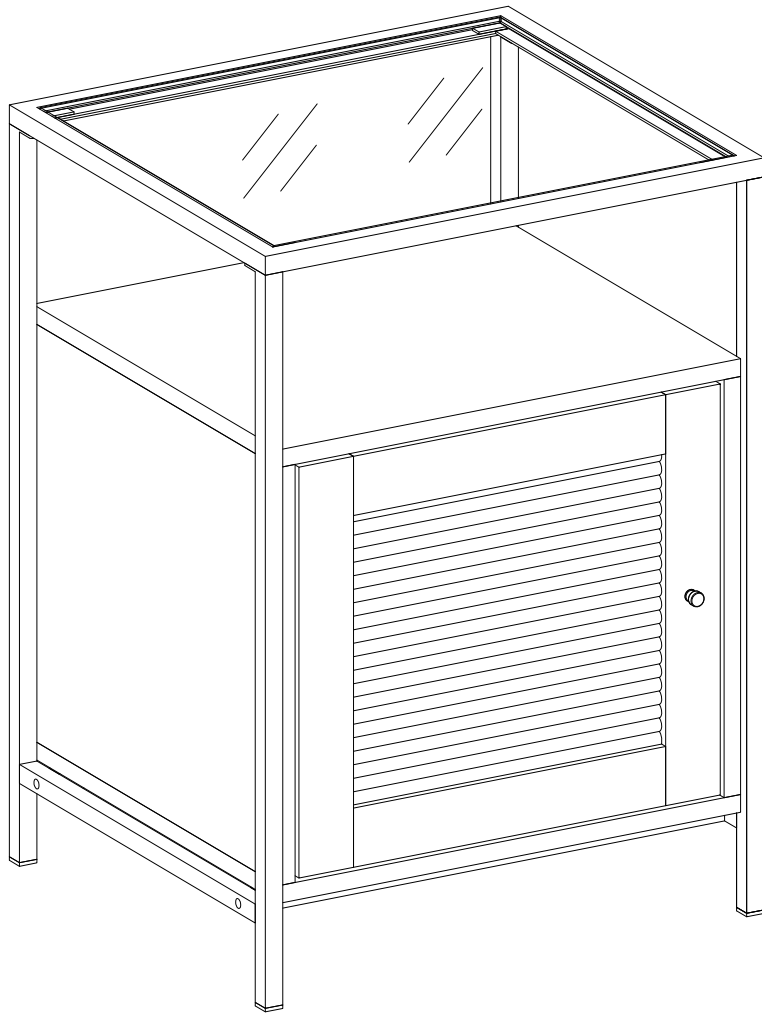
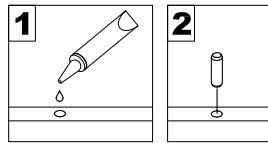


Assembly Instructions

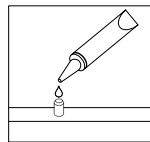


General Assembly Guidelines

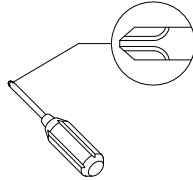
- I. Ensure that all parts and hardware are available before beginning assembly.
- II. Follow each step carefully to ensure the proper assembly of this product.
- III. Two people are recommended for ease in the assembly of this product.
- IV. The three main types of hardware used to assemble this product are : wood dowels , screws and bolts.
- V. The provided glue is to secure wood dowels in place . When first inserting dowels , locate the appropriate hole for the dowel , place a small amount of glue in the hole and insert the dowel . Wipe away excess glue immediately.



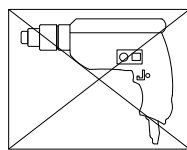
In future assembly steps when dowels are necessary to attach assembly parts together , place a small amount of glue on the end of the dowel before attaching parts together . Wipe away excess glue immediately.



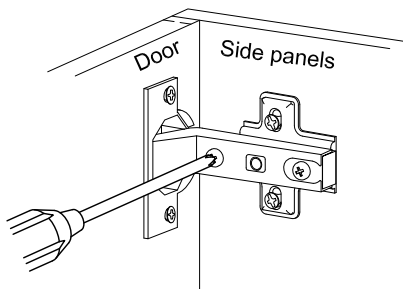
- VI. A Phillips head screwdriver is required for the assembly of this product .



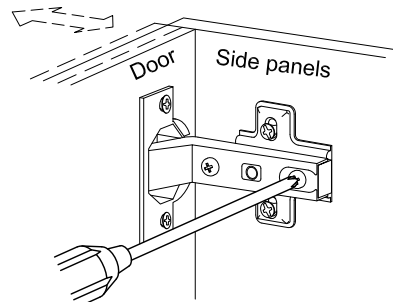
- VII. Power tools should not be used to assemble this product .



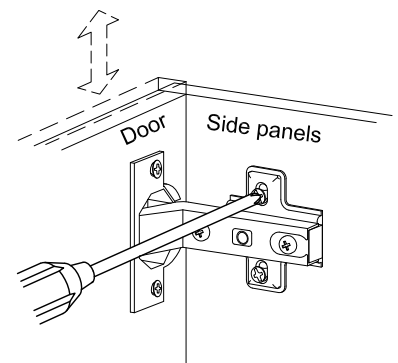
- VIII. Concealed hinges are three-way adjustable.



Horizontal
by screw adjustment

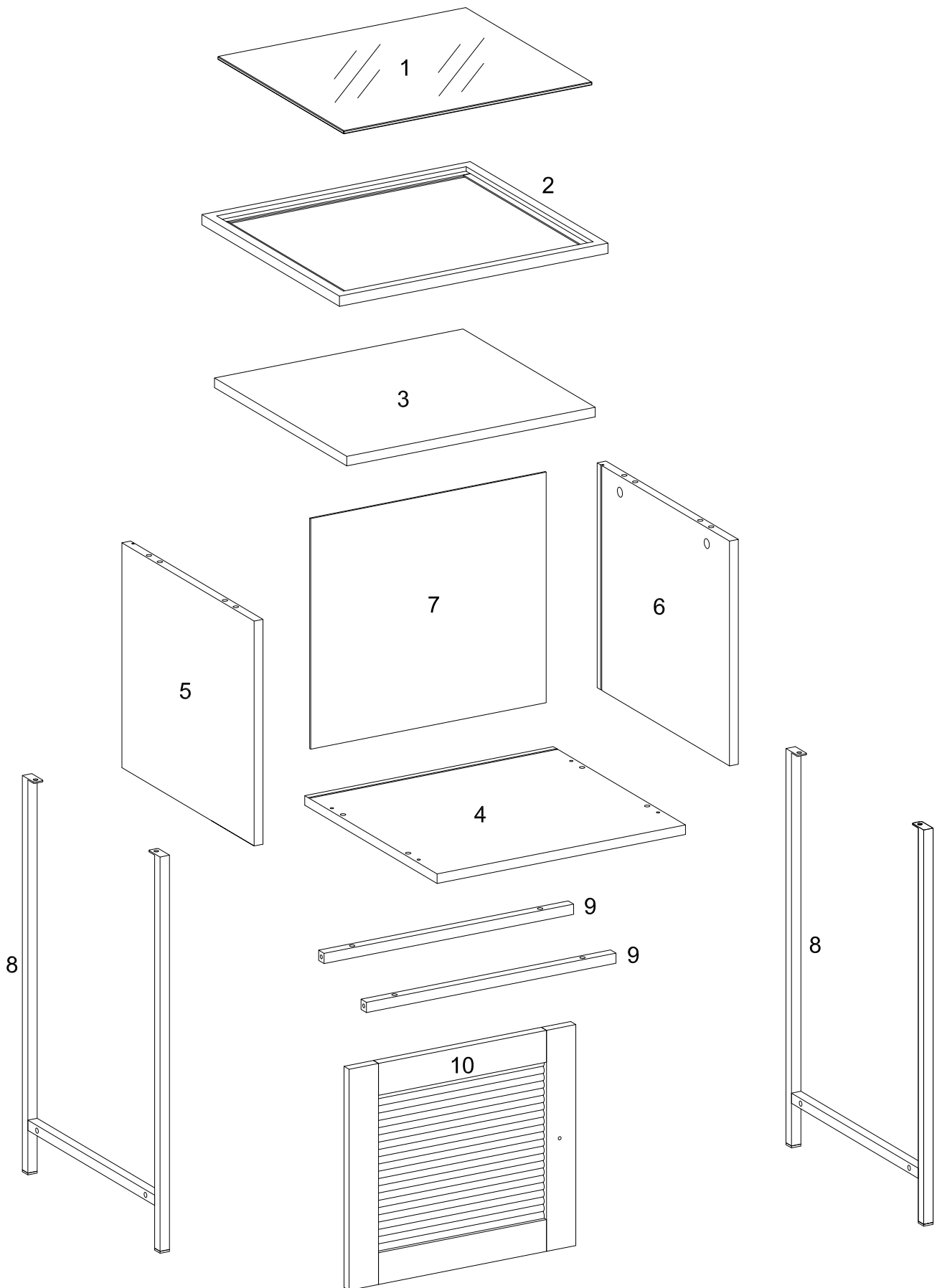


In-and-Out
by loosening the hinge-arm
mounting screw or via cam
adjustment


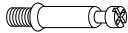


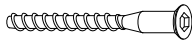





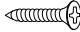

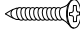



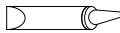
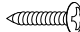
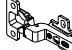


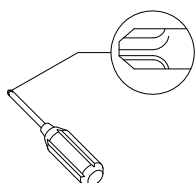
Vertical
Via slots in the mounting
plate or via cam adjustment

Parts List



Hardware List

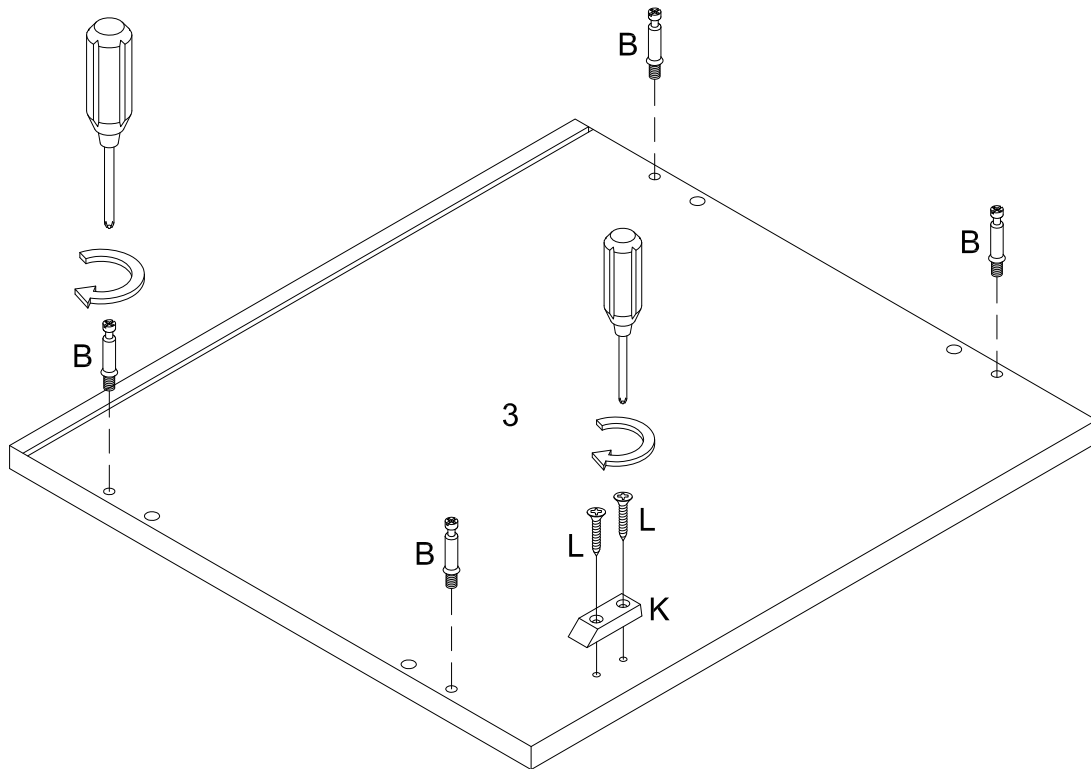
| | | | | | |
|---|---|-------------|---------------|---|-----|
| A |  | Ø8x30mm | Wooden dowel | 8 | pcs |
| B |  | Ø6x35mm | Cam bolt | 4 | pcs |
| C |  | Ø15x11mm | Cam lock | 4 | pcs |
| D |  | Ø30mm | Sticker | 4 | pcs |
| E |  | Ø6x50mm | Bolt | 4 | pcs |
| F |  | M 4 | Hex Key | 1 | pc |
| G |  | Ø1/4"x12mm | Bolt | 4 | pcs |
| H |  | Ø1/4"x25mm | Bolt | 4 | pcs |
| J |  | Ø1/4"x25mm | Bolt | 4 | pcs |
| K |  | | Door stopper | 1 | pc |
| L |  | Ø3.5x14mm | Screw | 2 | pcs |
| M |  | | Plastic wedge | 4 | pcs |
| N |  | Ø3x17mm | Screw | 4 | pcs |
| P |  | | Handle | 1 | pc |
| Q |  | Ø5/32"x20mm | Handle Bolt | 1 | pc |
| R |  | 30x10mm | Glass pads | 4 | pcs |
| S |  | | Glue tube | 1 | pc |
| T |  | Ø4x12mm | Screw | 8 | pcs |
| U |  | | Europe hinge | 2 | pcs |



Philips head screwdriver required for assembly
(not included)

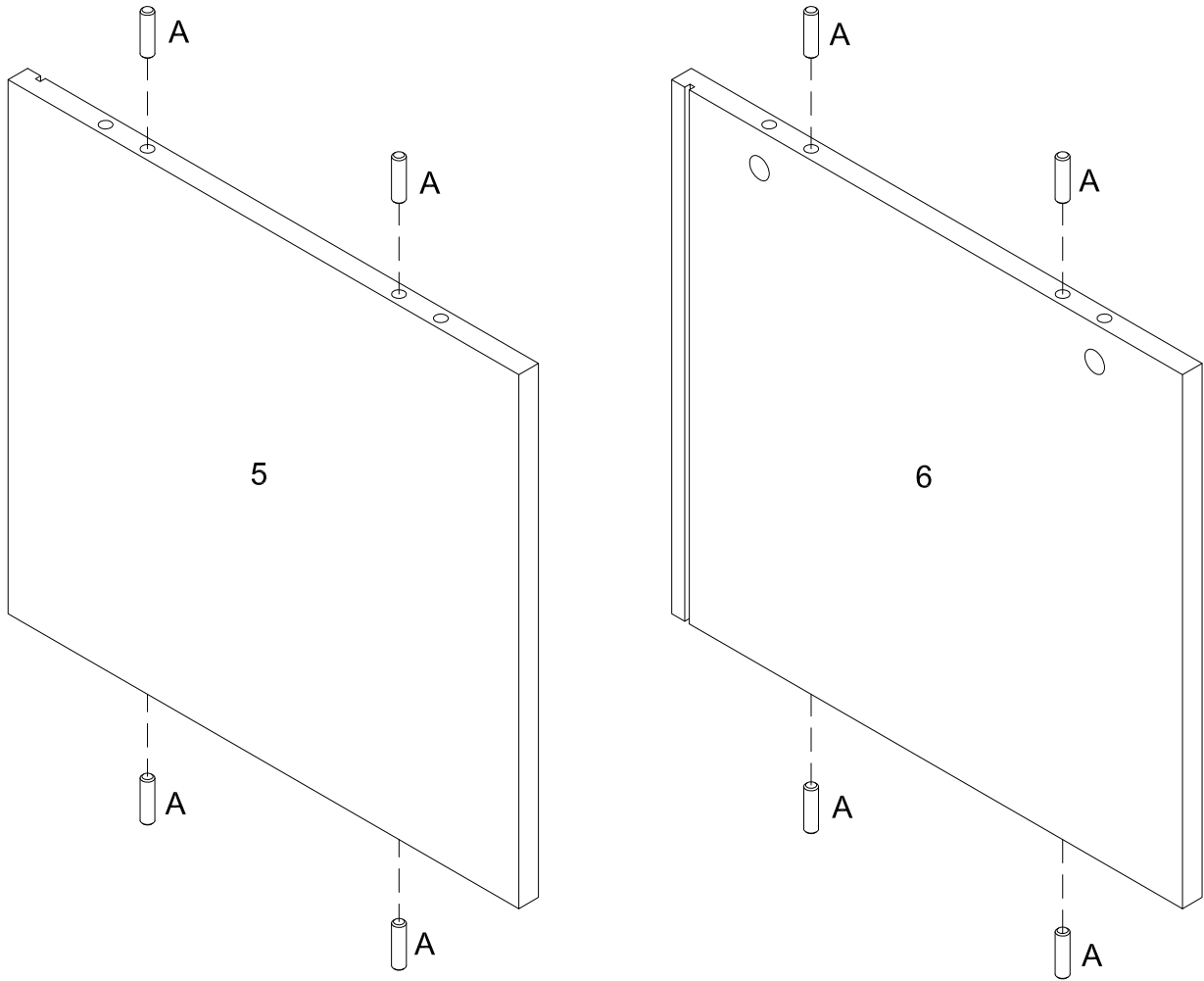
*The hardware quantities listed above are required for proper assembly.
Some extra hardware may also have been included.*

Step 1



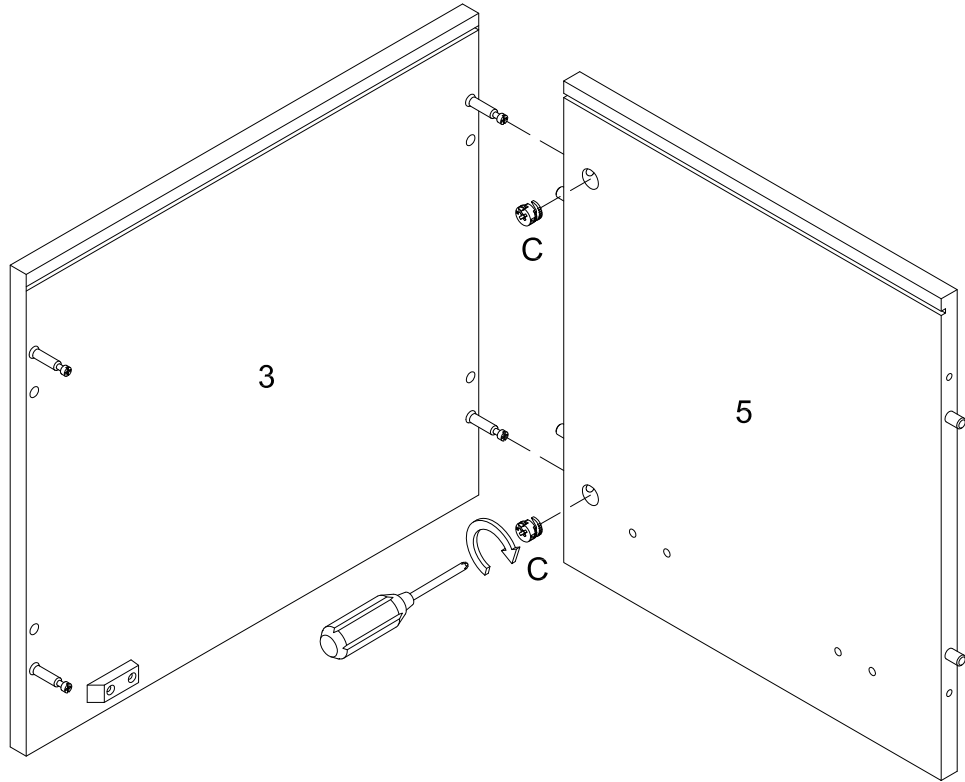
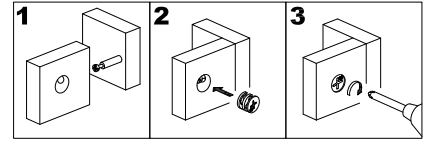
Secure cam bolt (B) into part (3), then using screw (L) attach Door stopper (K) to part (3) with Philips head screwdriver as per diagram.

Step 2



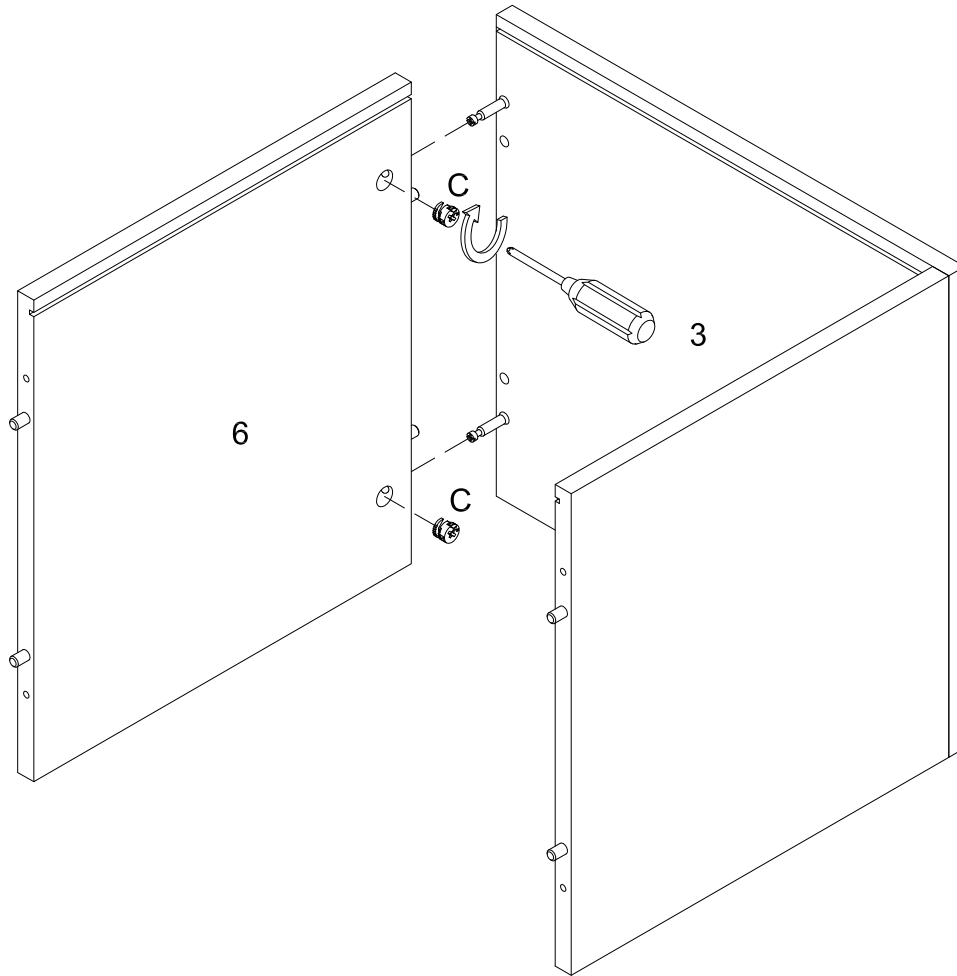
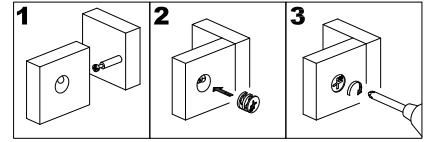
Insert wooden dowel (A) into parts (5,6) as per diagram.

Step 3



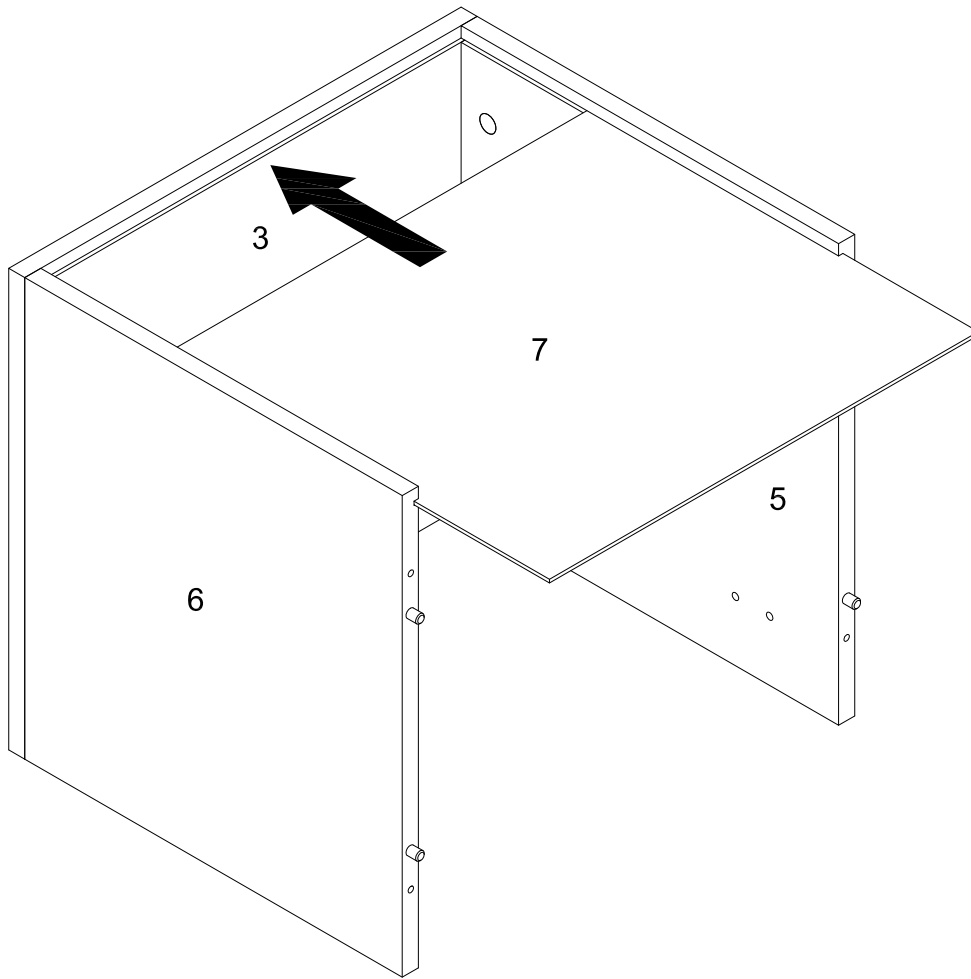
Using Cam lock(C) attach part (3) to part (5) with Philips head screwdriver as per diagram.

Step 4



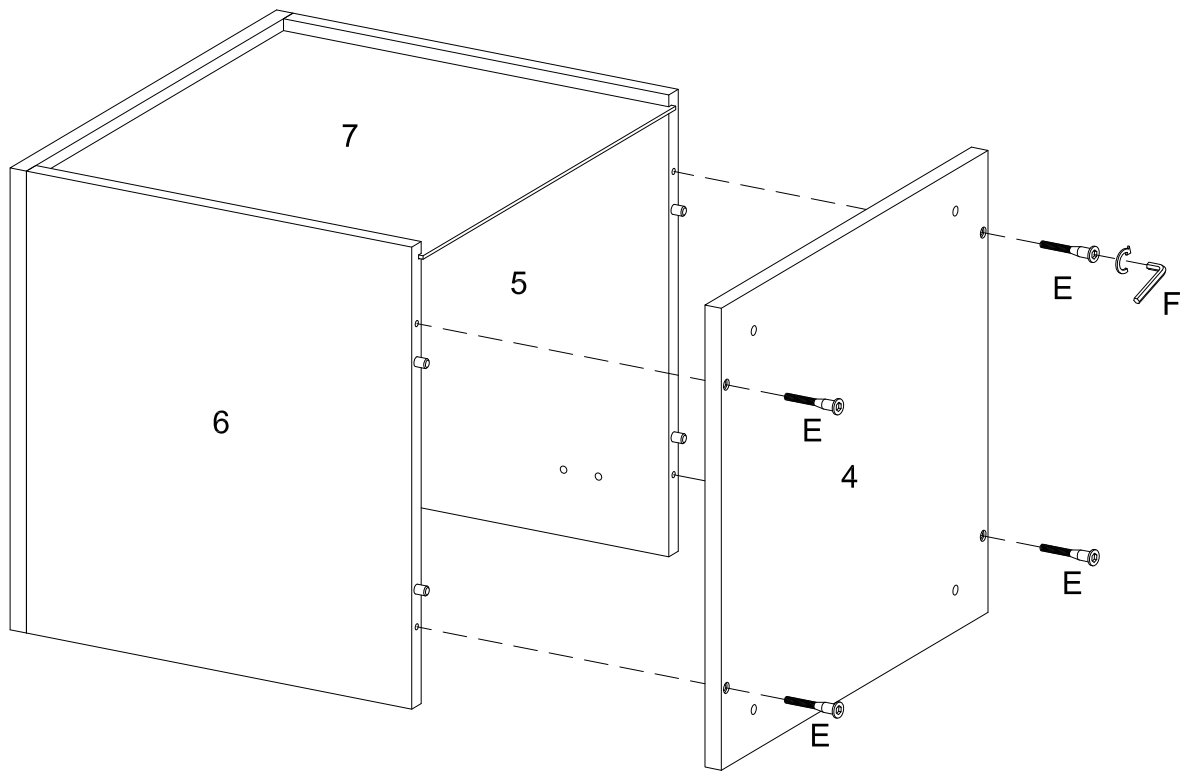
Using Cam lock(C) attach part (3) to part (6) with Philips head screwdriver as per diagram.

Step 5



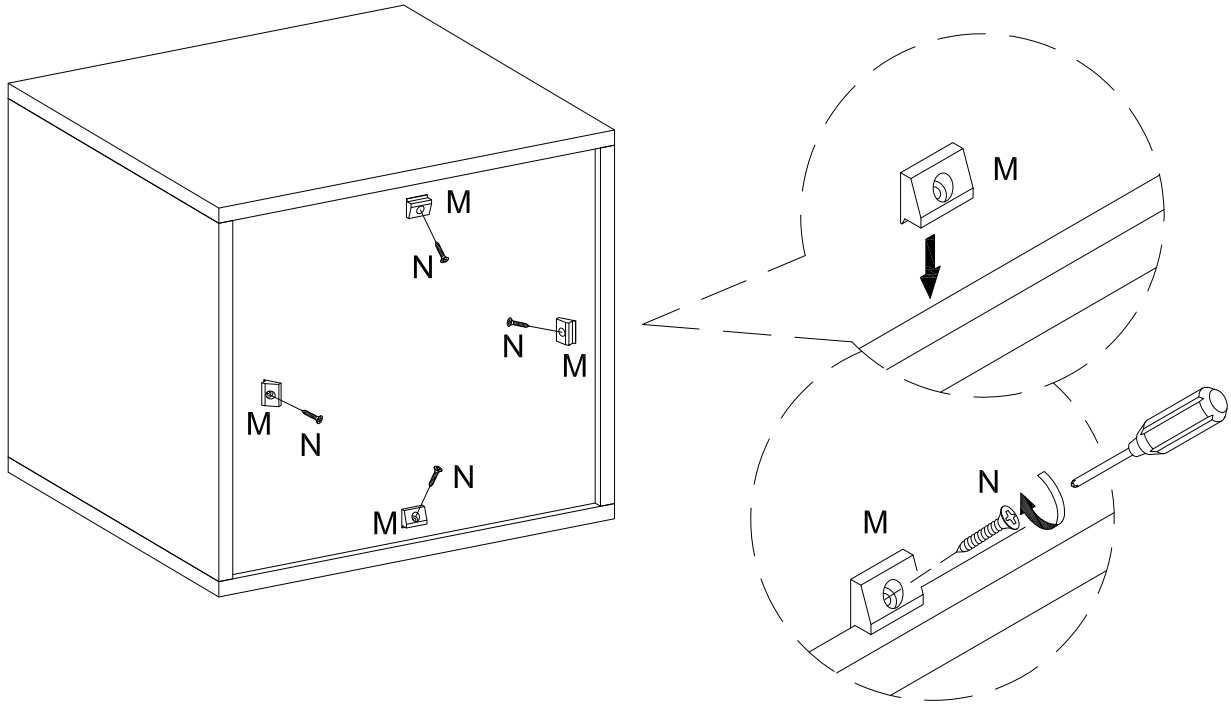
Place part (7) as per diagram.

Step 6



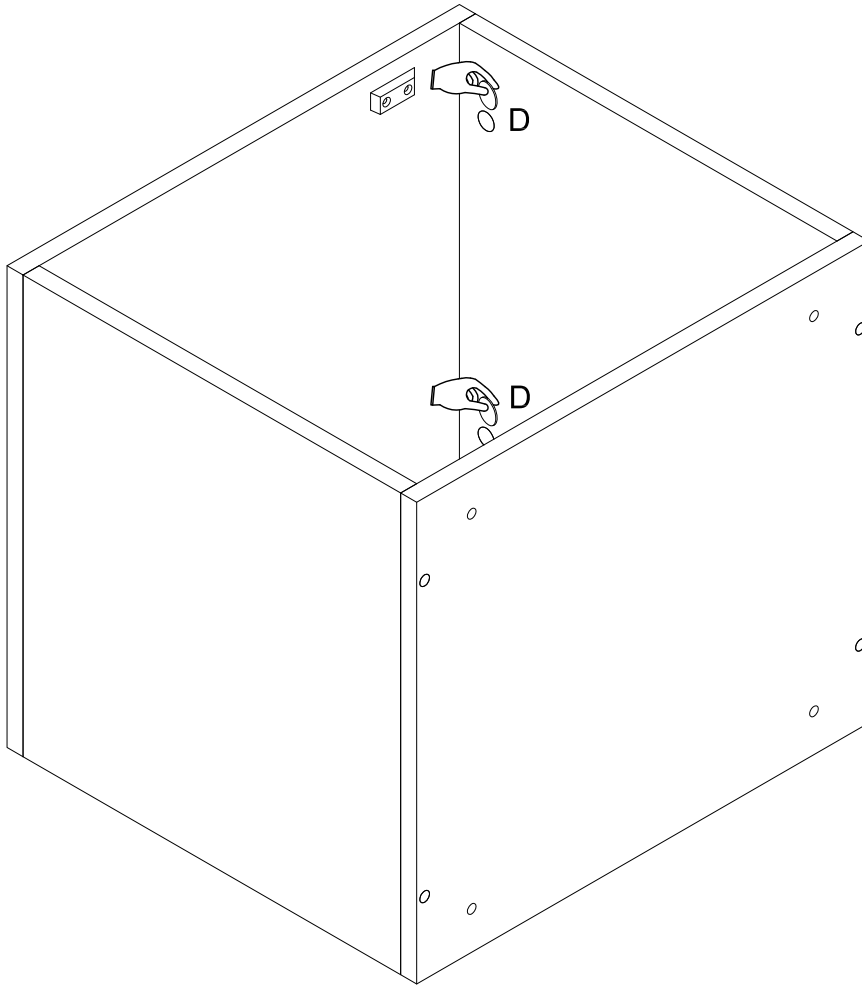
Using bolt (E) attach part (4) into parts (5,6,7) with hex key (F) as per diagram.

Step 7



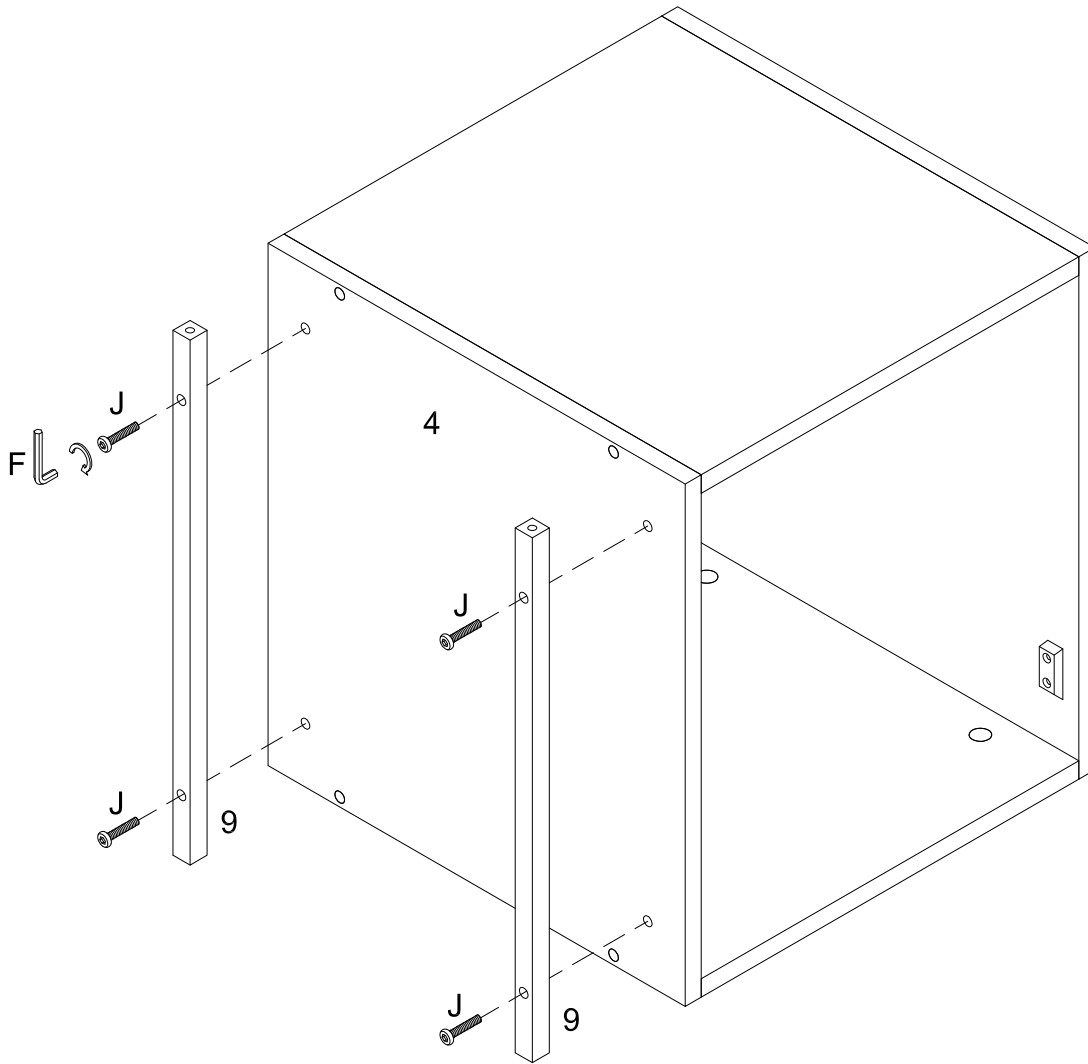
Using screw (N) secure plastic wedge (M) with Philips head screwdriver as per diagram.

Step 8



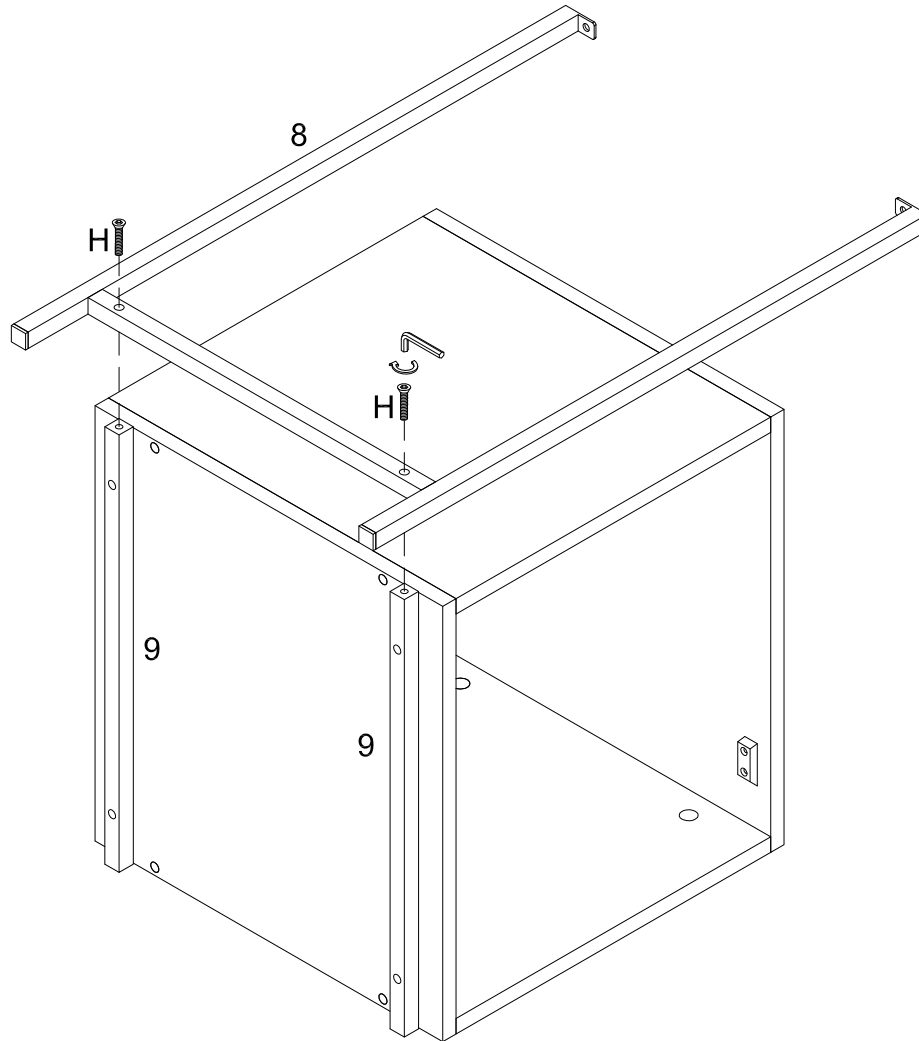
Place sticker (D) cover the holes as per diagram .

Step 9



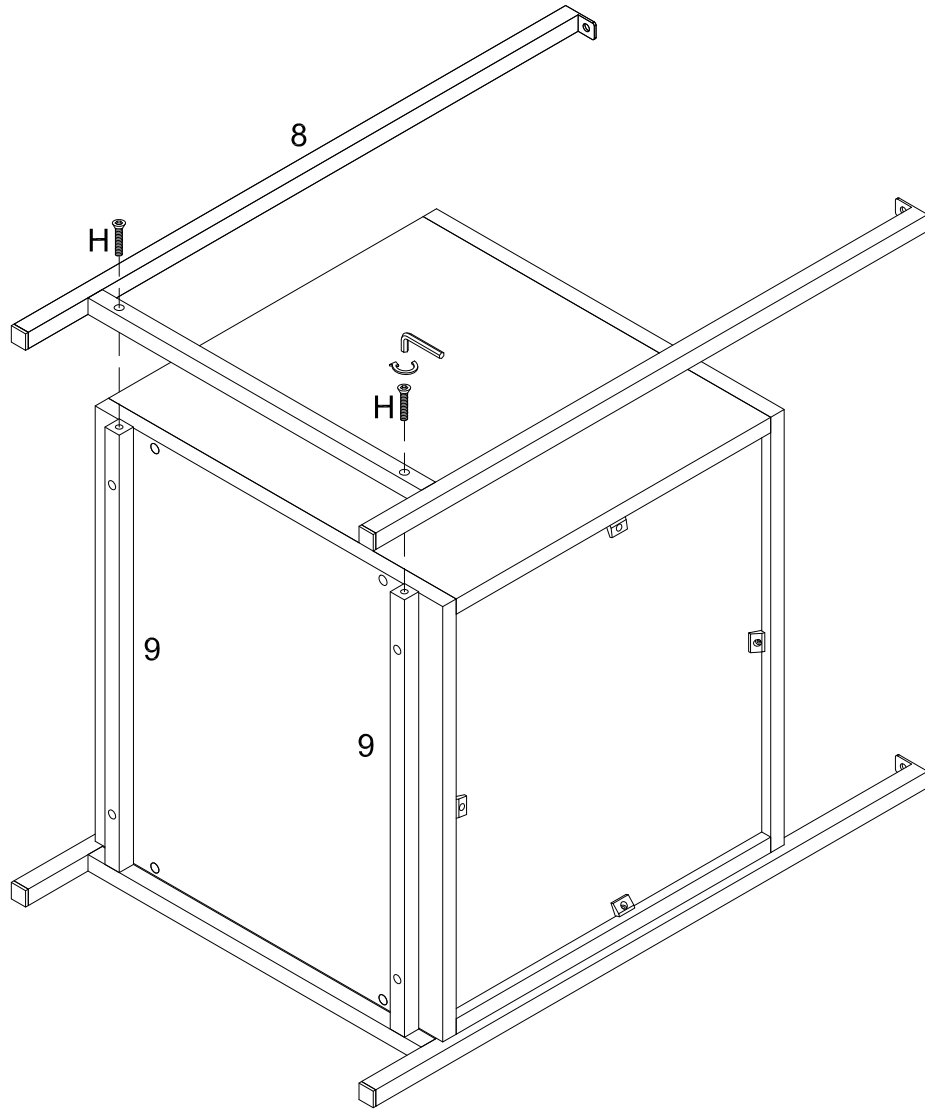
Using bolt (J) attach part (9) to part (4) with hex key (F) as per diagram.
Note: Do not fully tighten all the bolts.

Step 10



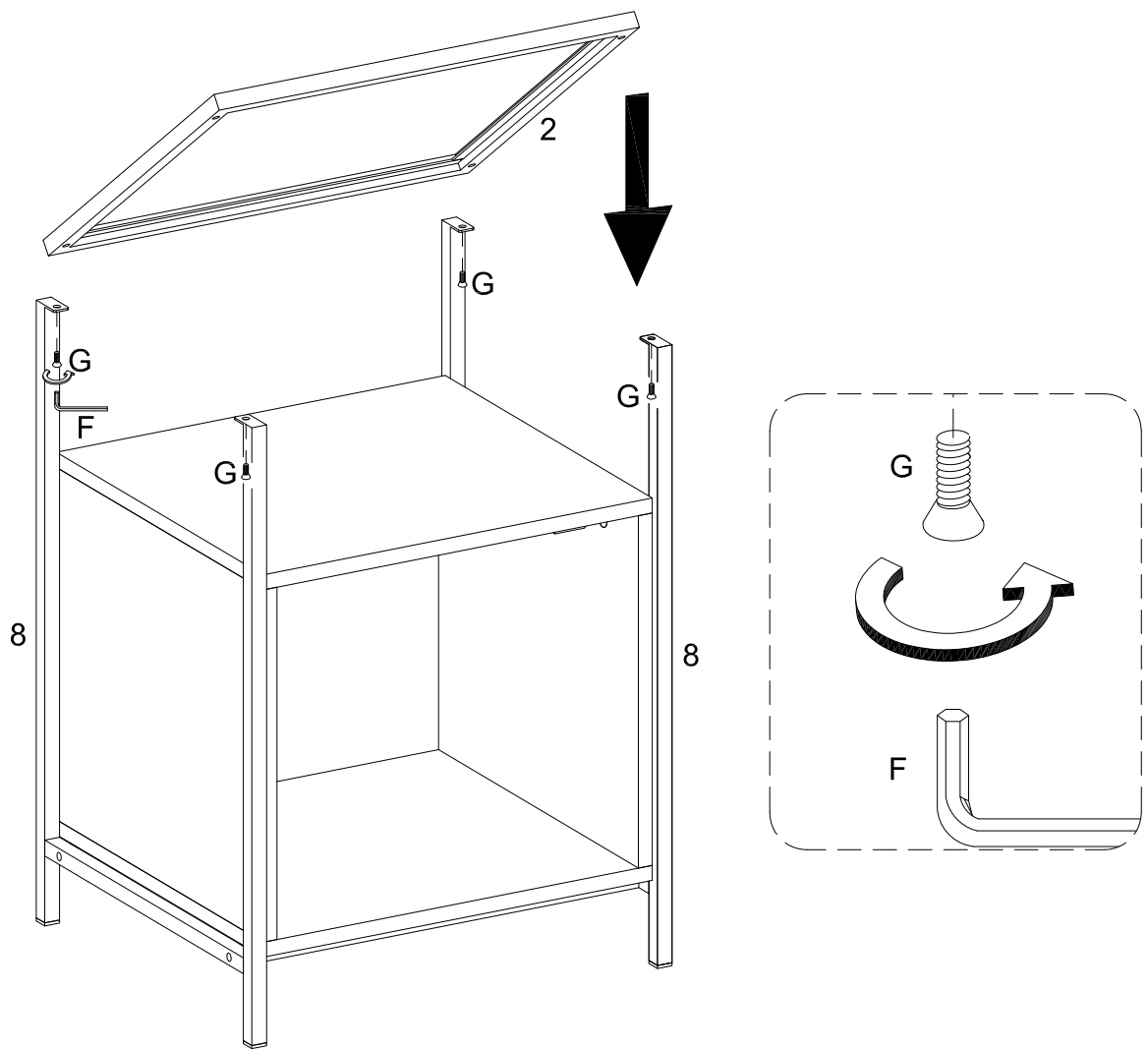
Using bolt (H) attach part (8) to part (9) with hex key (F) as per diagram.

Step 11



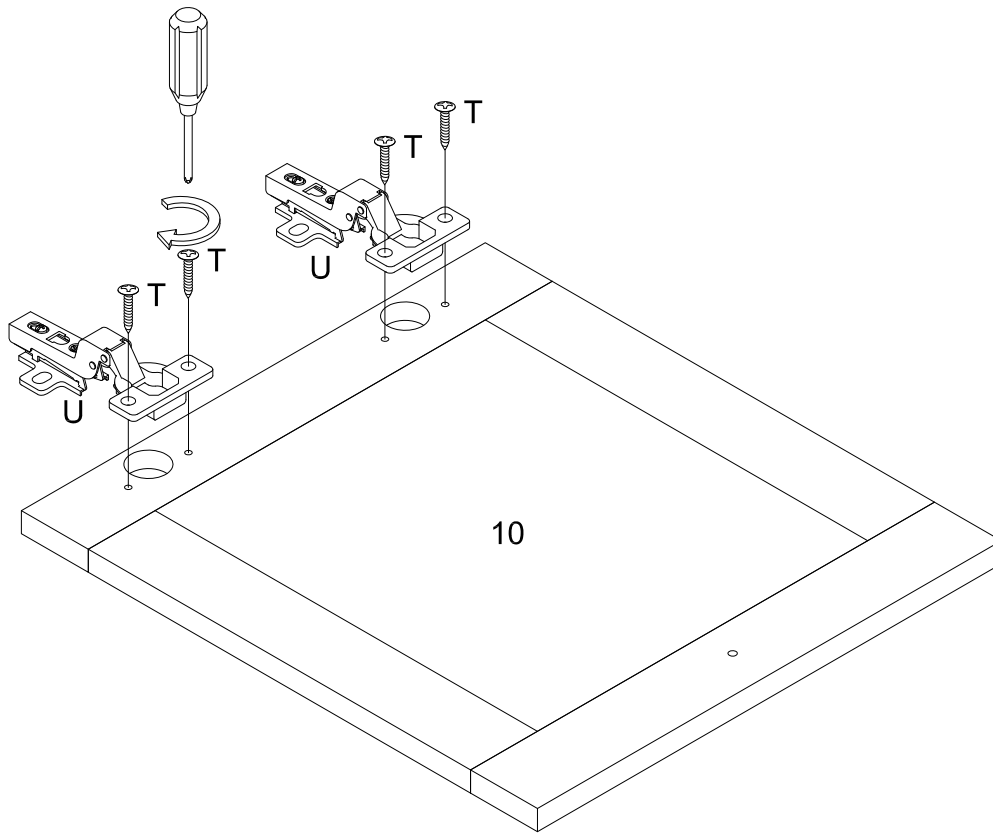
Repeat the action same as last step 10.

Step 12



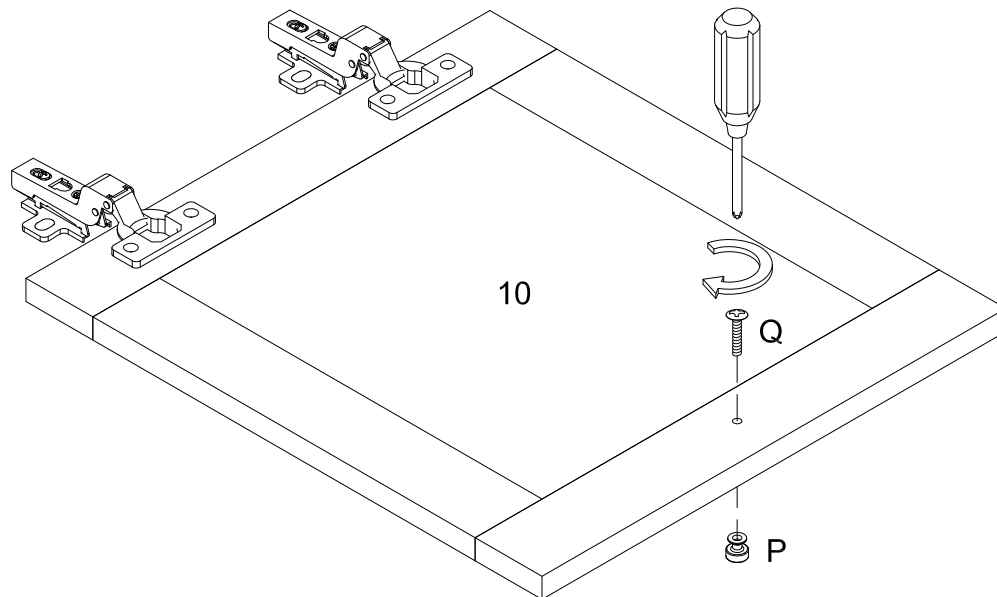
Using bolt (G) attach part (8) to part (2) with hex key (F) as per diagram.
Note : Fully tighten all the bolts.

Step 13



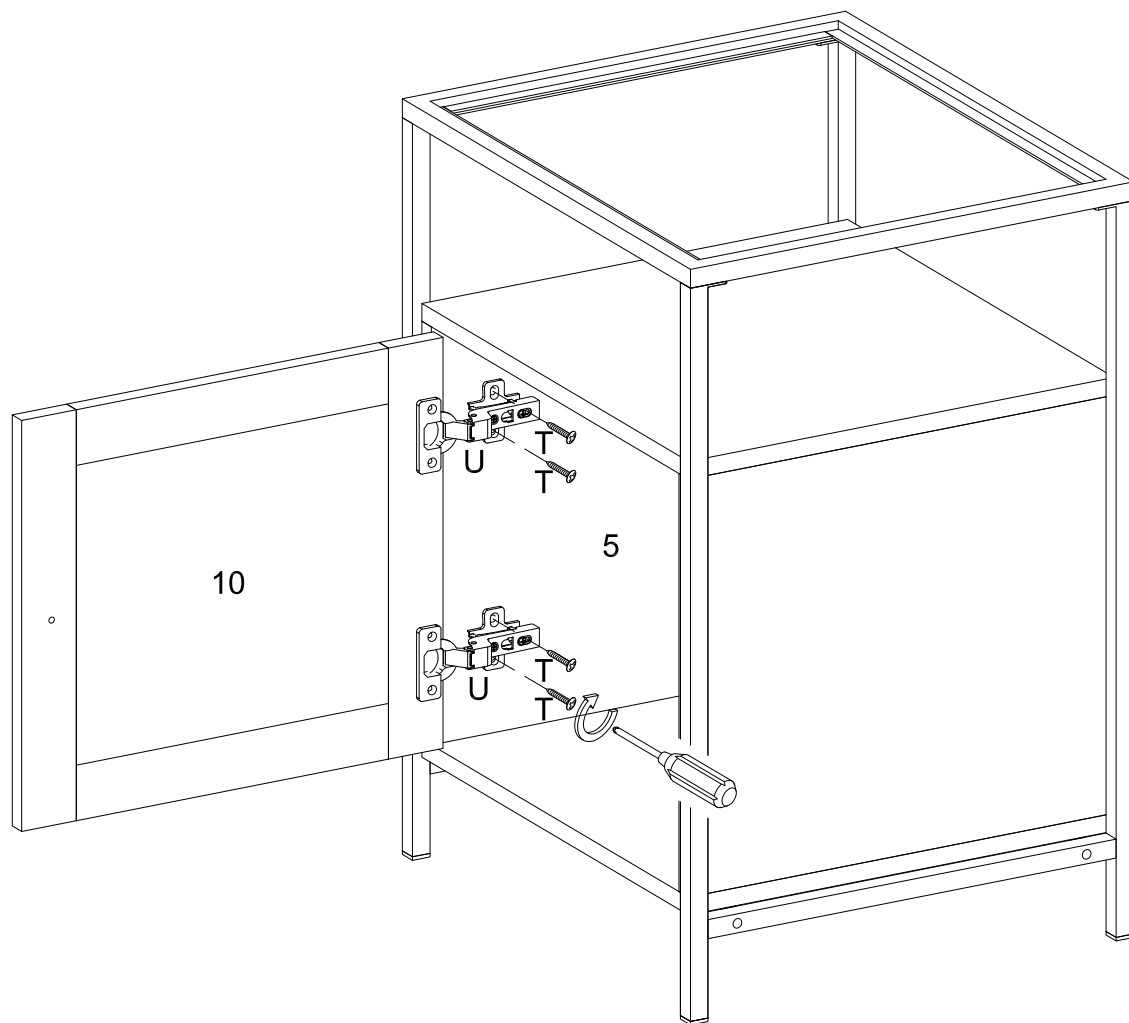
Using screw (T) attach Europe hinge (U) to part (10) with Philips head screwdriver as per diagram.

Step 14



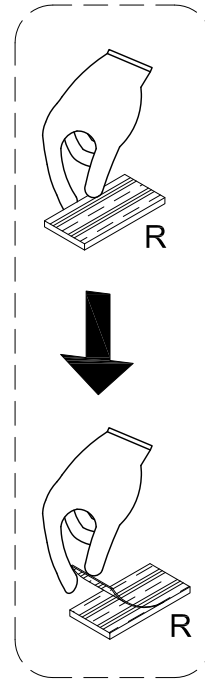
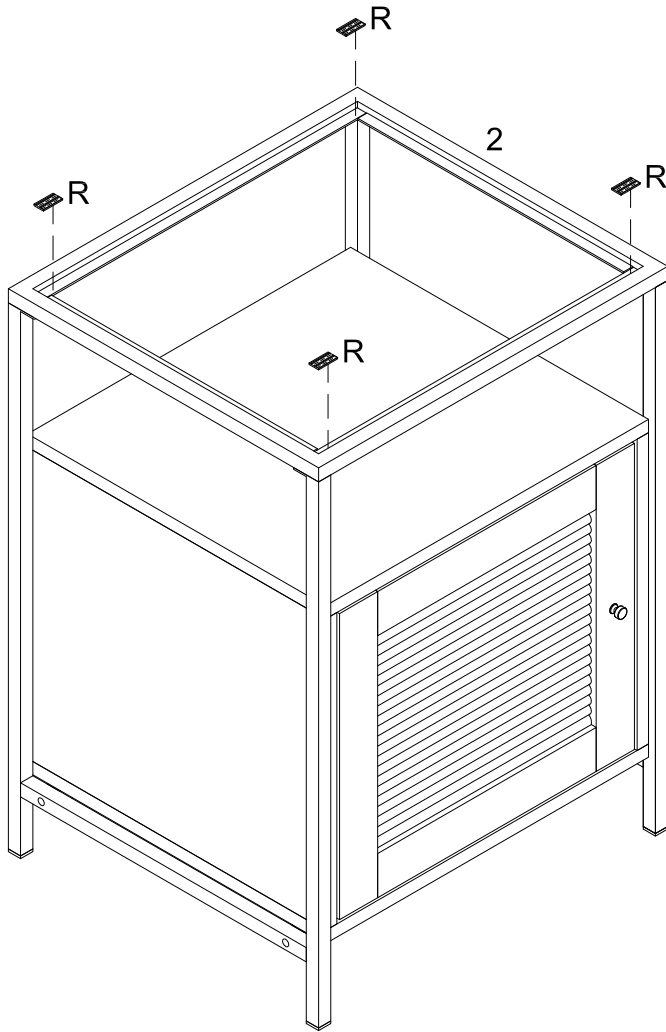
Using Handle bolt (Q) attach Handle (P) into part (10) with Philips head screwdriver as per diagram.

Step 15



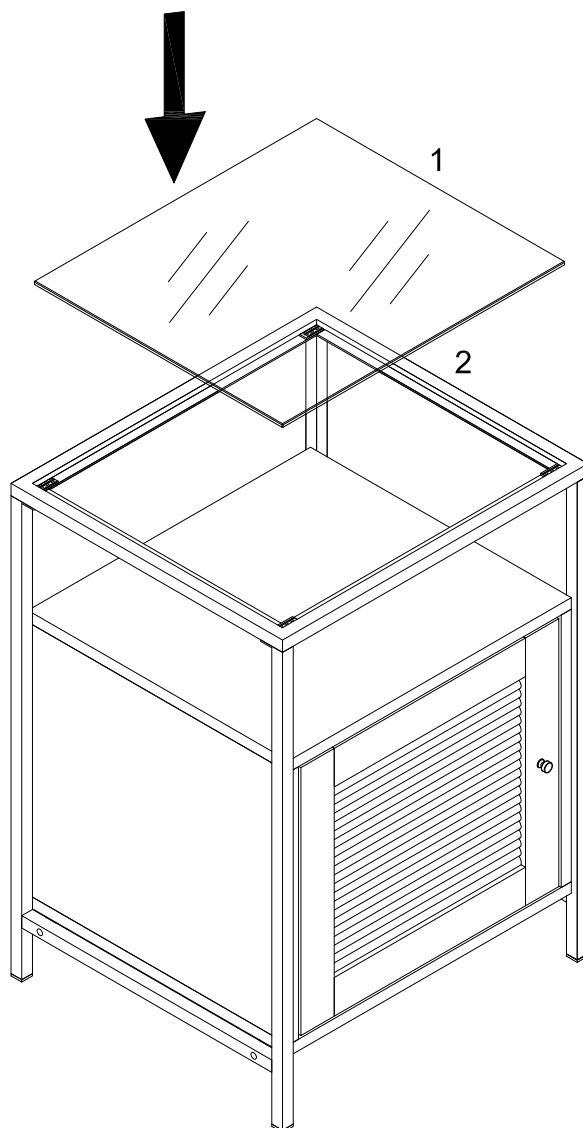
Using screw (T) attach Europe hinge (U) to part (5) with Philips head screwdriver as per diagram.

Step 16



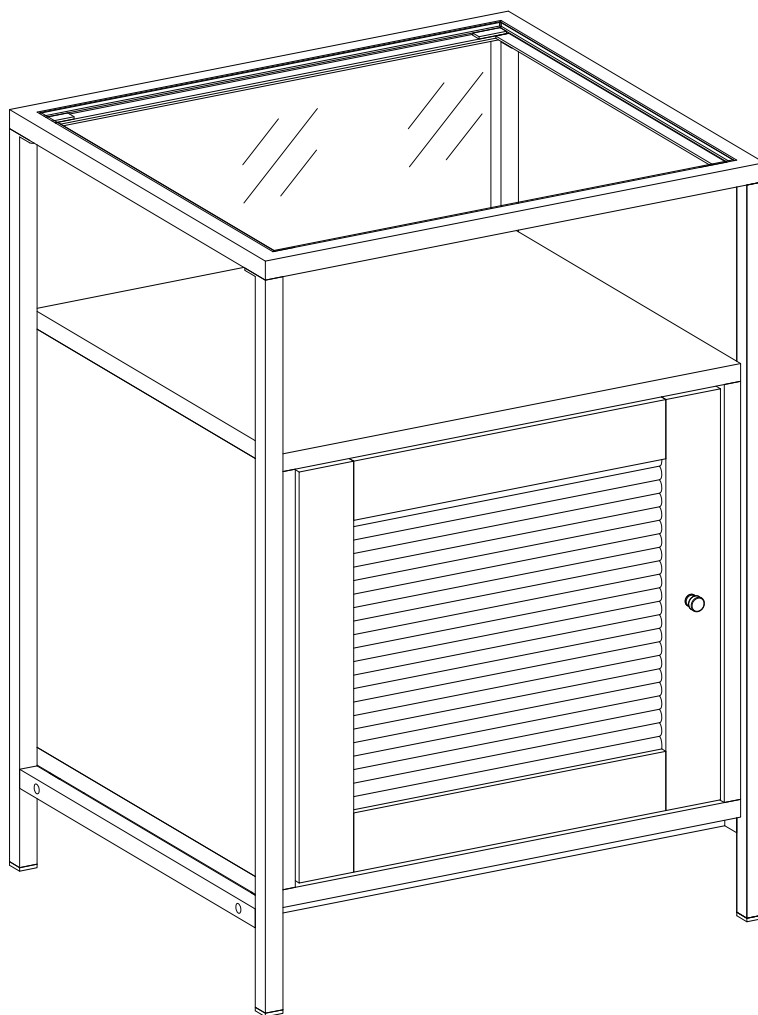
Tear off glass pad (R) and place glass pad (R) upon the part (2) as per diagram.

Step 17



Put part (1) carefully as per diagram.

Step 18



Final Assembly