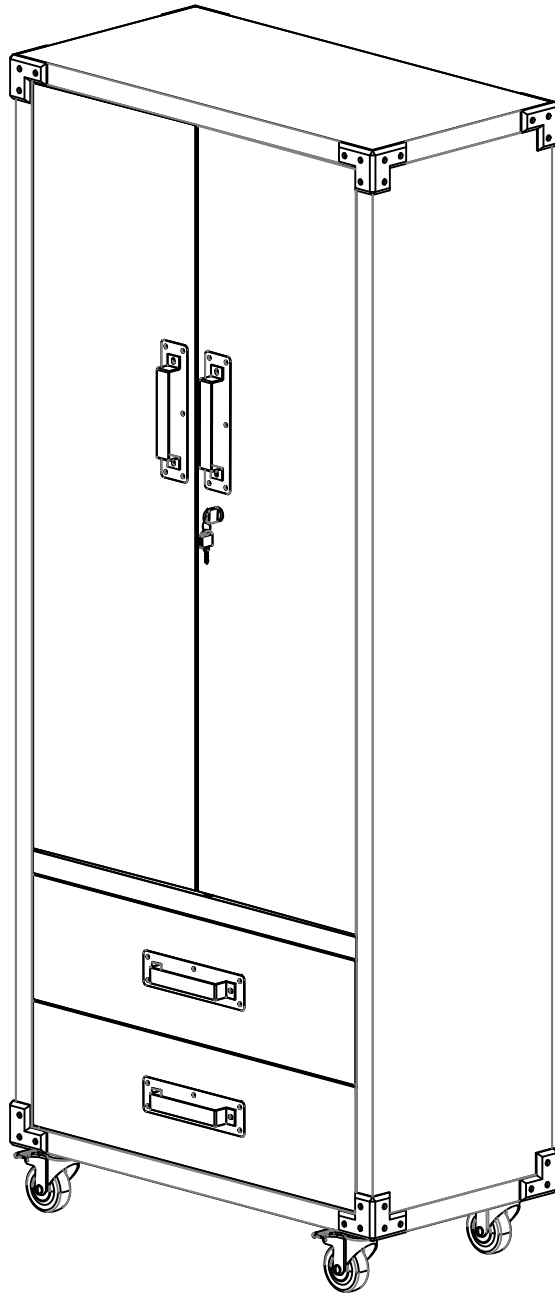
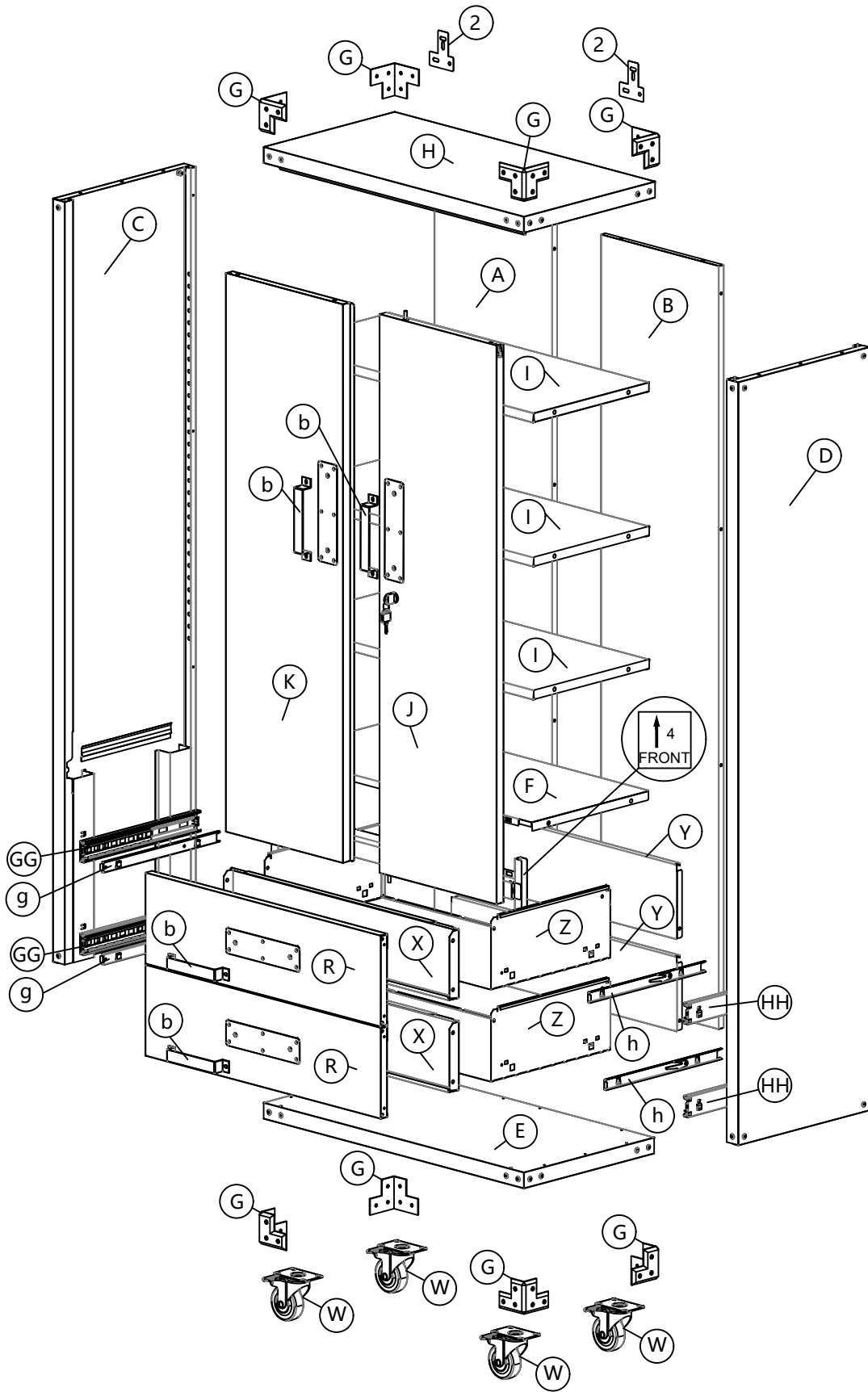
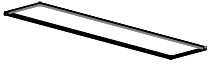





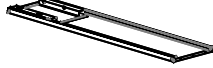














Assembly Instructions


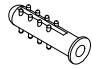










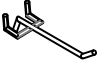







PARTS LIST

Name		Part	Qty.	Spare	Name		Part	Qty.	Spare
A	Left Back Panel		1		GG/g	Left Slide Rail		2	
B	Right Back Panel		1		HH/h	Right Slide Rail		2	
C	Left Side Panel		1		K	Left Door		1	
D	Right Side Panel		1		 4 FRONT	Middle Frame		1	
E	Bottom Panel		1		X	Drawer Front Baffle		2	
F	Waist Panel		1		Y	Drawer Back Panel		2	
H	Top Panel		1		Z	Drawer Bucket		2	
I	Shelf		3		R	Drawer Front Panel		2	
J	Right Door		1		W	Wheel		4	

PARTS LIST

Name		Part	Qty.	Spare	Name		Part	Qty.	Spare
G	Corner Protector		8		M	Wall Anchor		2	1
J1	Key	 Already attached on right door J	1		N	13/32" Screw		36	3
S	Door Pivot		2	1	O	Shelf Clasp		12	1
T	Shim		4	2	P	5*15 Allen Screw		52	4
U	Magnet		4		Q	Locking Rod Sleeve	 Already pre-installed at the top of locking rod		2
L	1-3/16" Screw		2	1	V	6*15 Flat Head Bolt		16	2
a	Hook		6		b	Handle		4	
2	Hanging Piece		2			Spring Shaft	 Already pre-installed on the doors	2	

 **CAUTION**

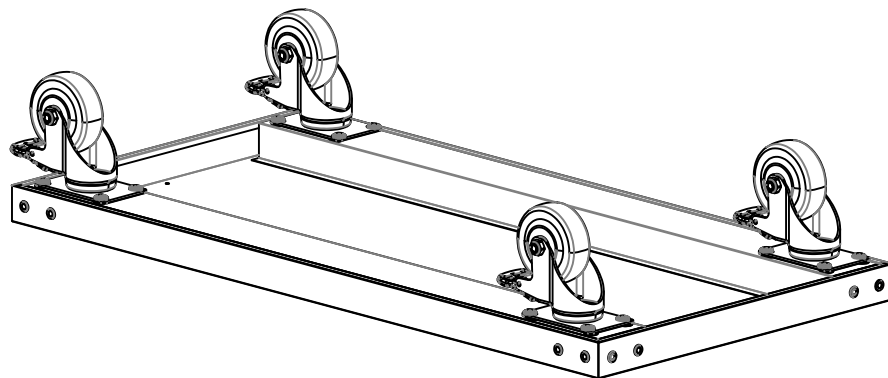
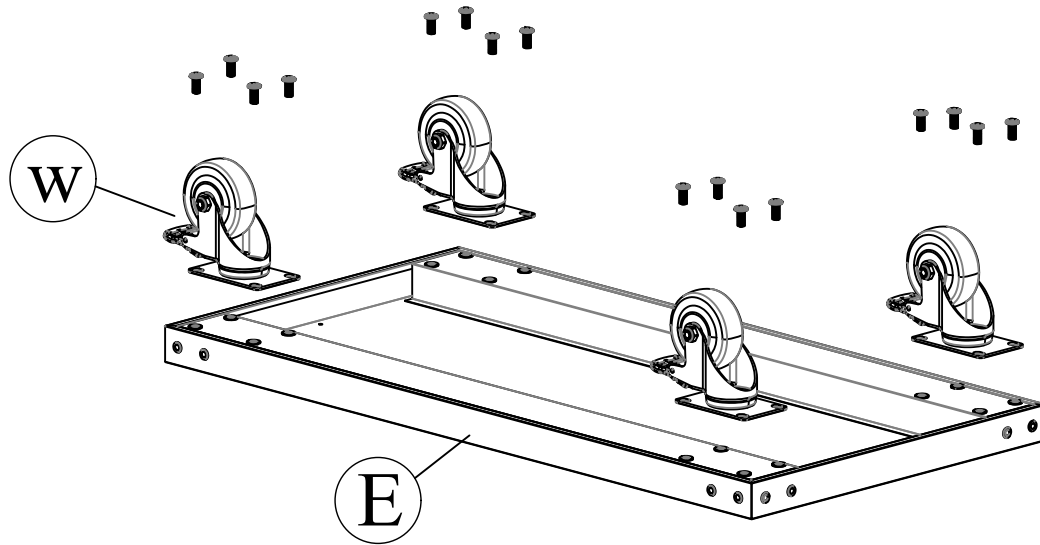
An assistant is required.

CUSTOMER FIRST, SERVICE FOREMOST!
Questions? Issues?
CONTACT US
REPLY WITHIN 24 HOURS IN BUSINESS DAYS

Step 1

Ⓟ x 16 Install 4 wheels W on the bottom panel F with 16 screws V

Ⓜ x 4



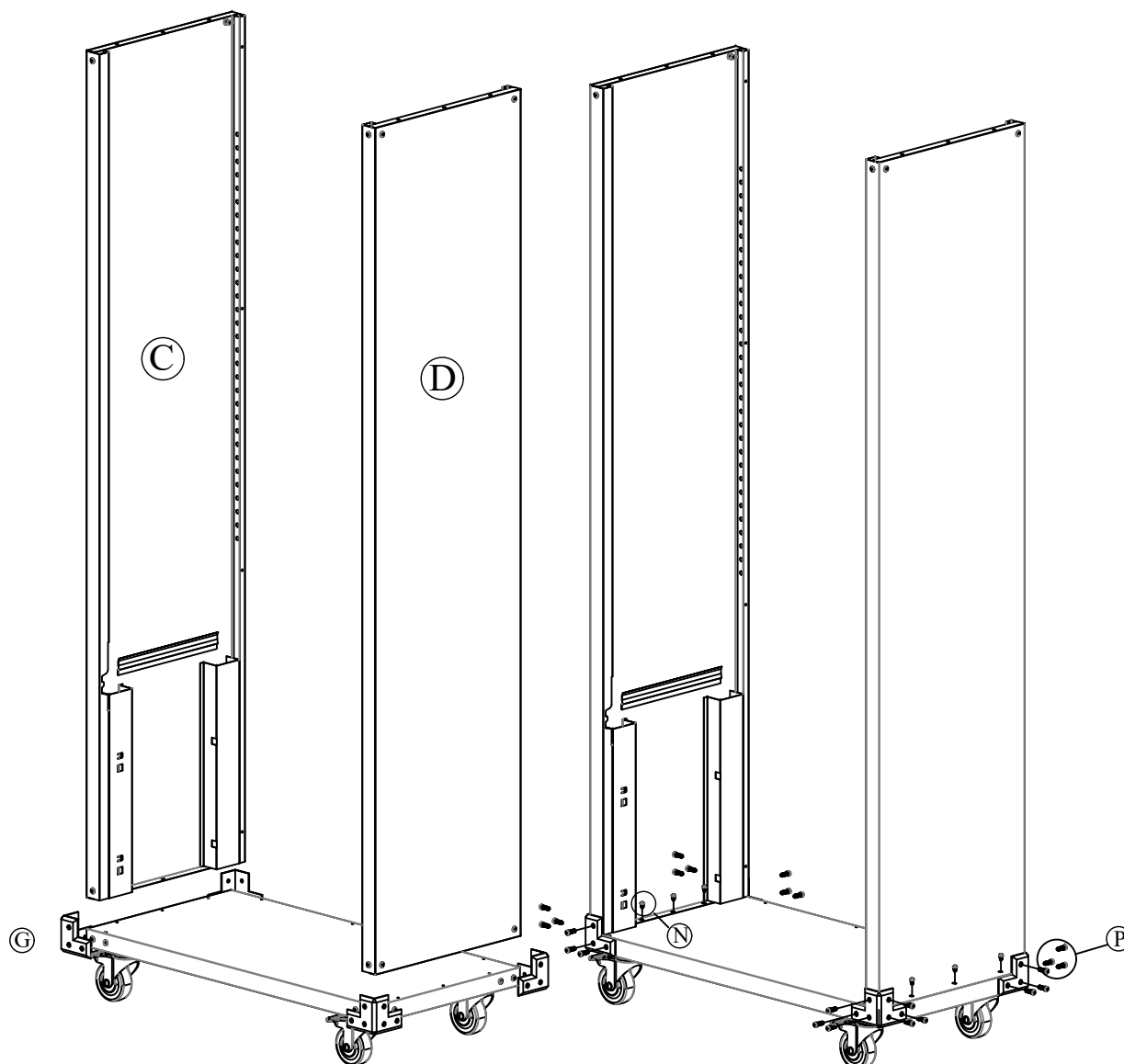
Please lock the 4 wheels to keep stable before your next installation steps

Step 2

Connect left side panel C and right side panel D with bottom panel E by 4 corner protectors G and 24 screws P





Fix the side panels C, D with bottom panel E with 6 screws N from inside

④ x 4

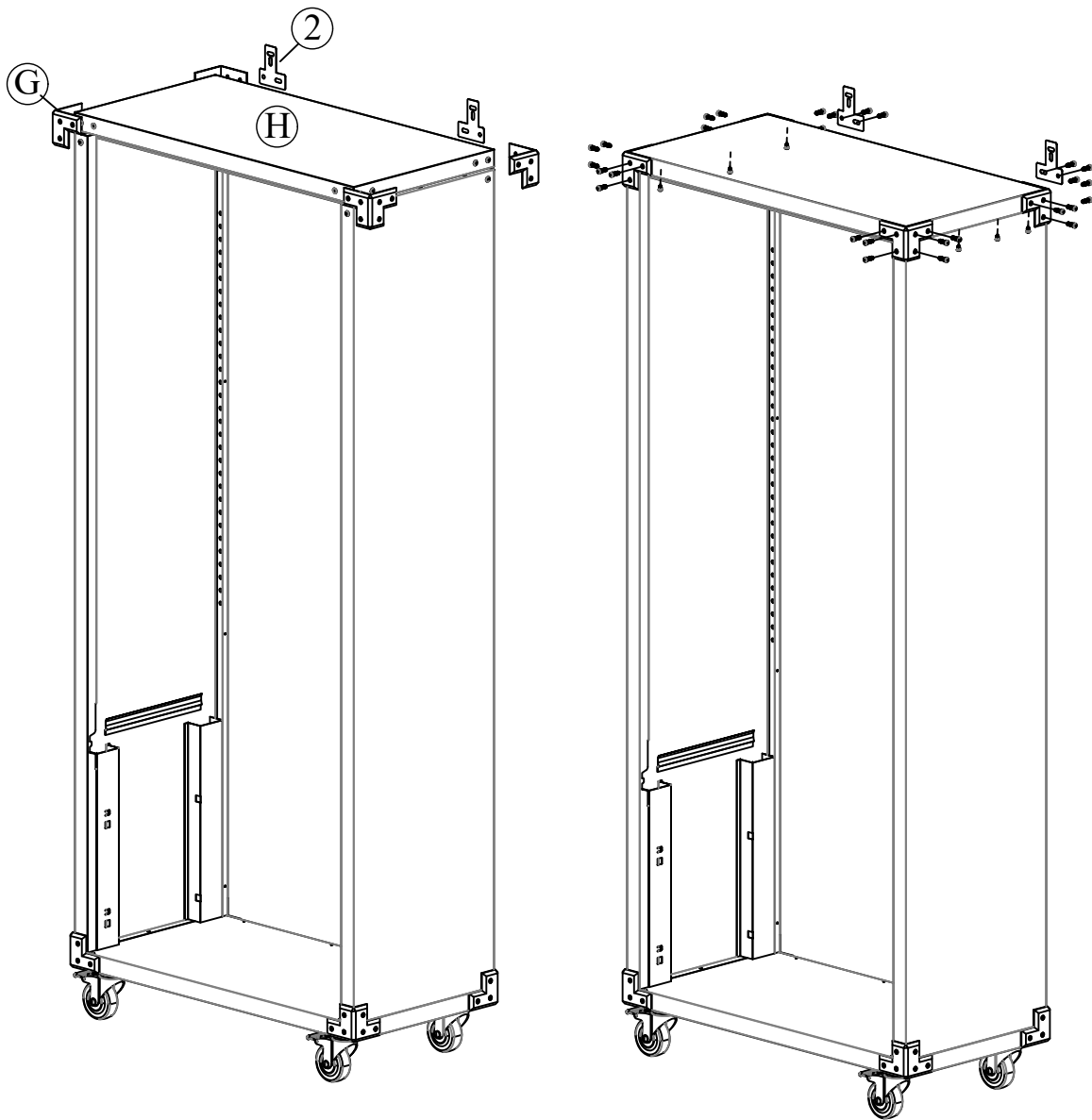


When you are fixing the corner protectors, please do not tighten the screws at once. It is recommended to tighten all corner protectors after they are installed, so that all holes can be aligned more easily (The same goes for Step 3)

Step 3

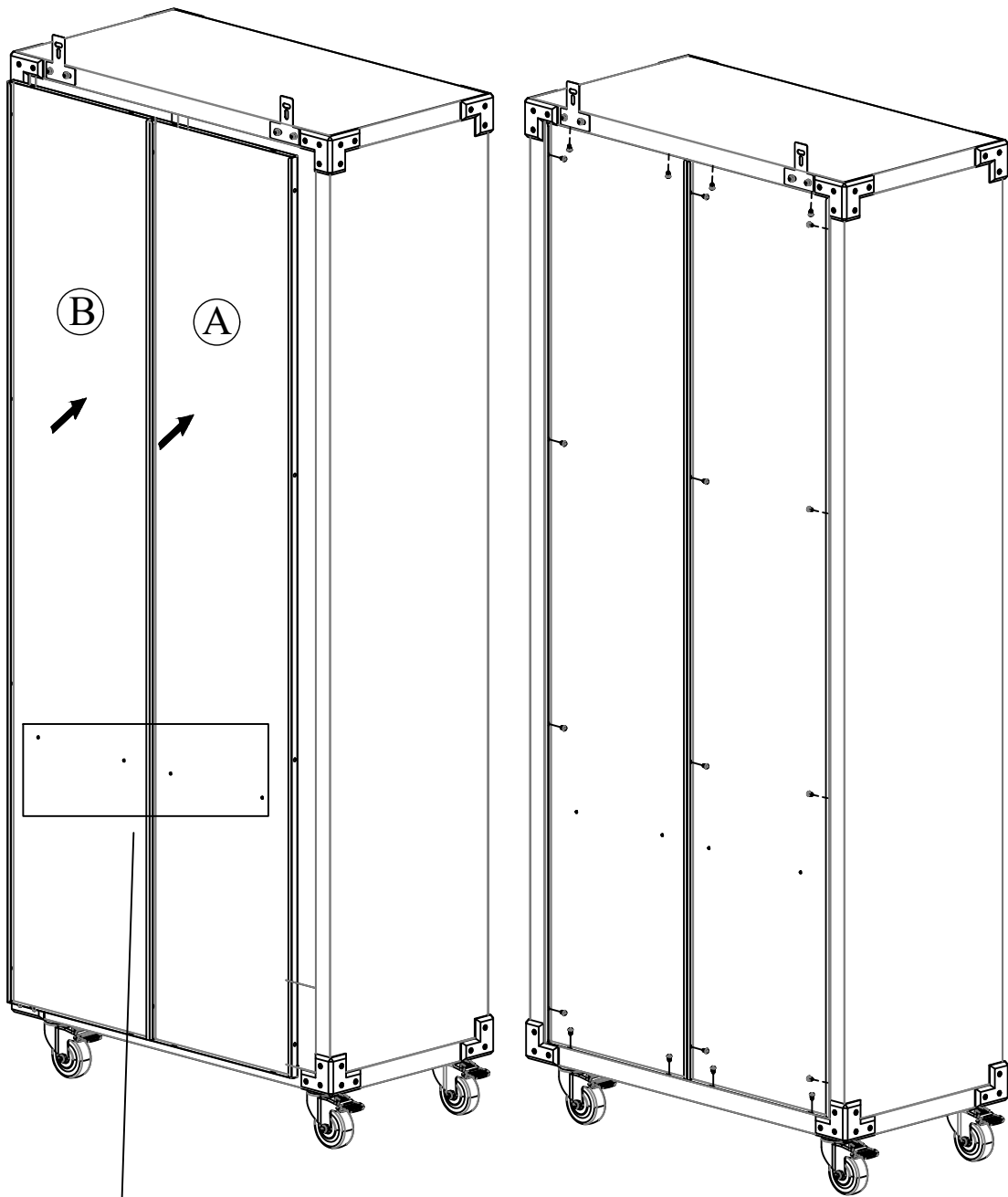
- Ⓟ  x 28
- ②  x 2
- ⓐ  x 4
- Ⓝ  x 6

Connect top panel H with side panels C, D by 4 connectors G and 24 screws P
Fix 2 hanging pieces on the cabinet with 4 screws P



Step 4

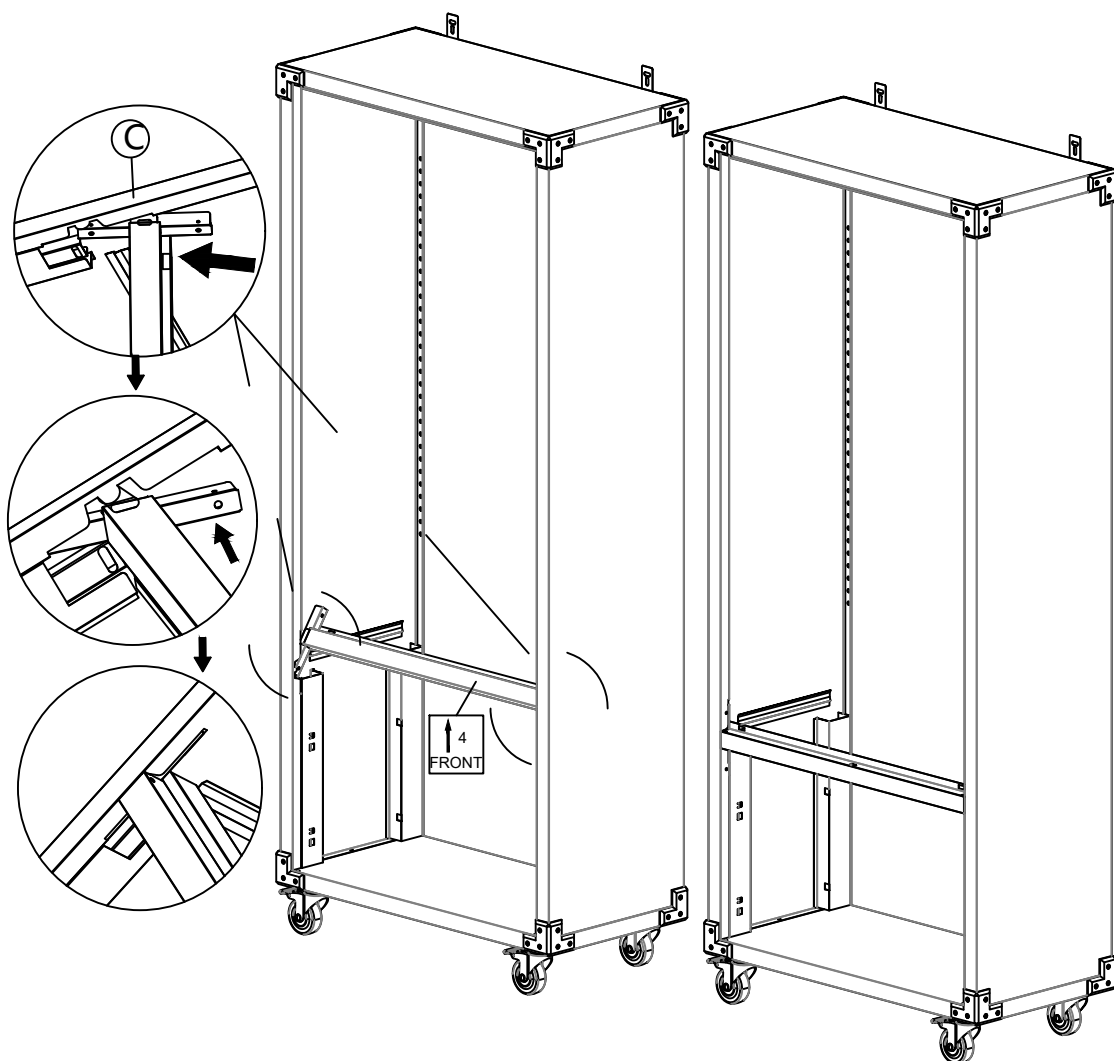
Ⓝ x 20 Install back panels A, B with 20 screws N



Attention: The four holes are closer to the bottom


Step 5

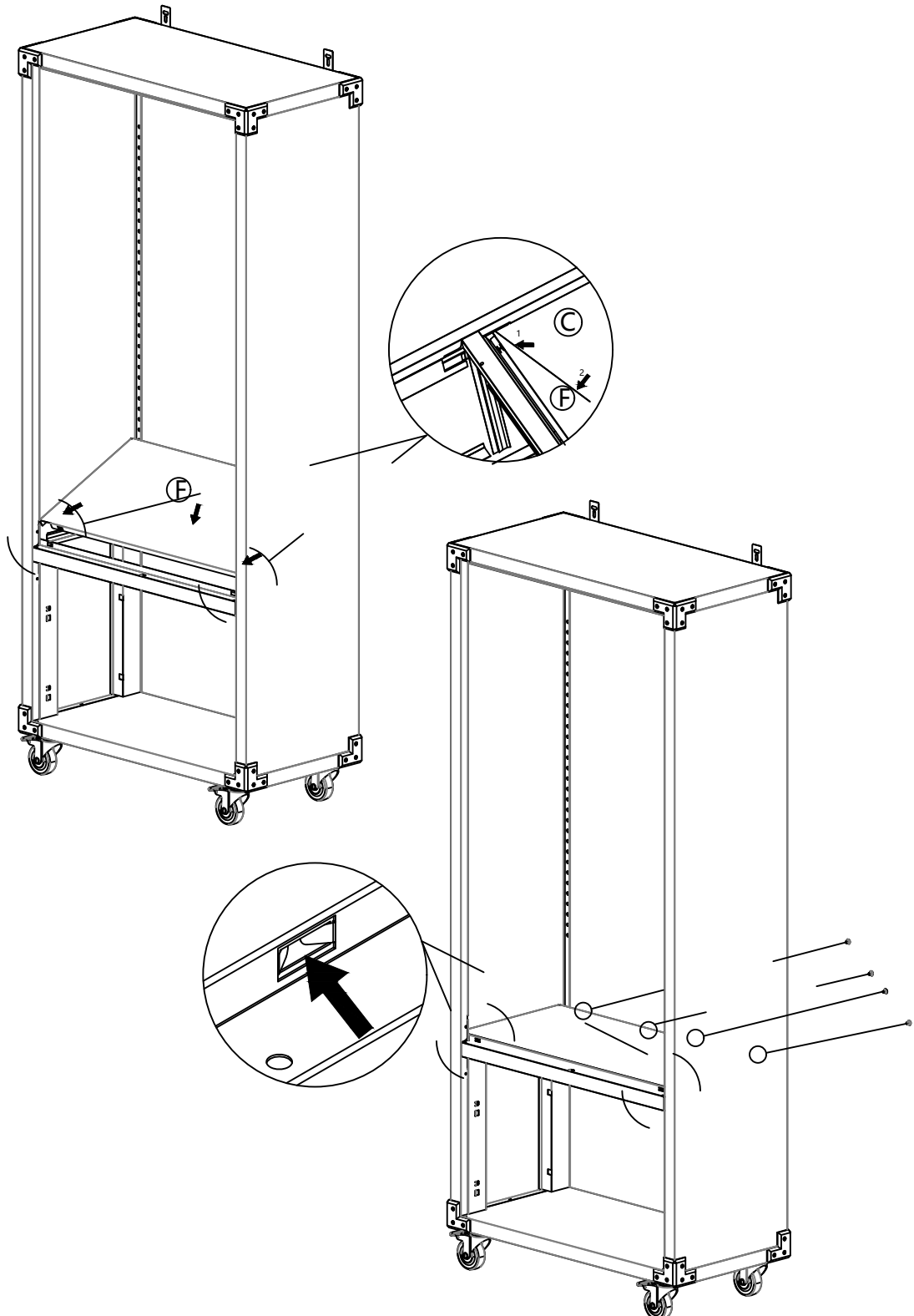
Tilt middle frame into the gap of side panels C, D



The middle frame is needed to be inserted into side panels C, D simultaneously

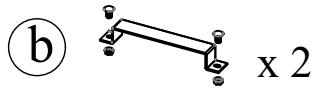
Step 6

- Ⓝ  x 4 Tilt waist panel F into the cabinet and press it down
Then fix it with 4 screws N

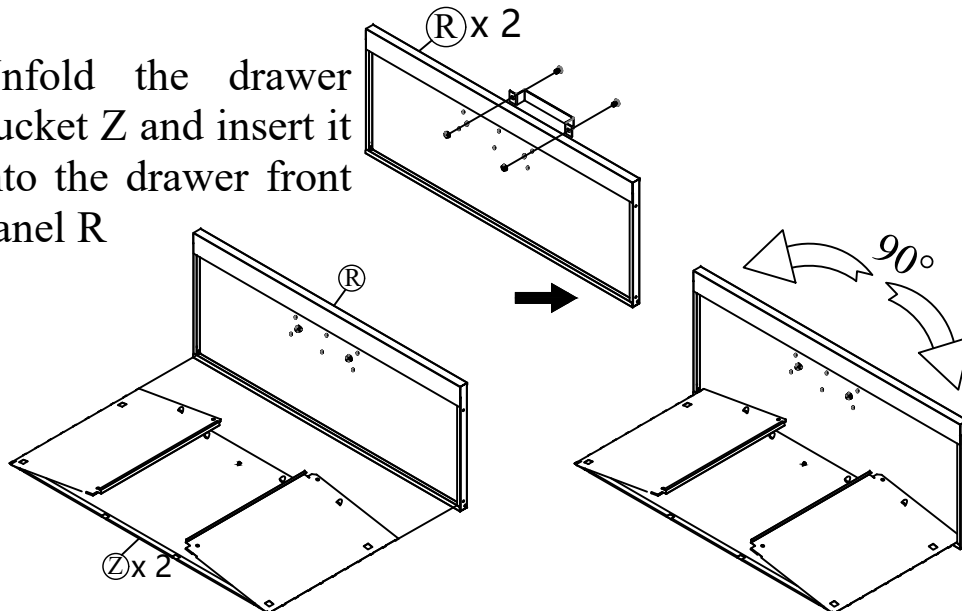


Step 7

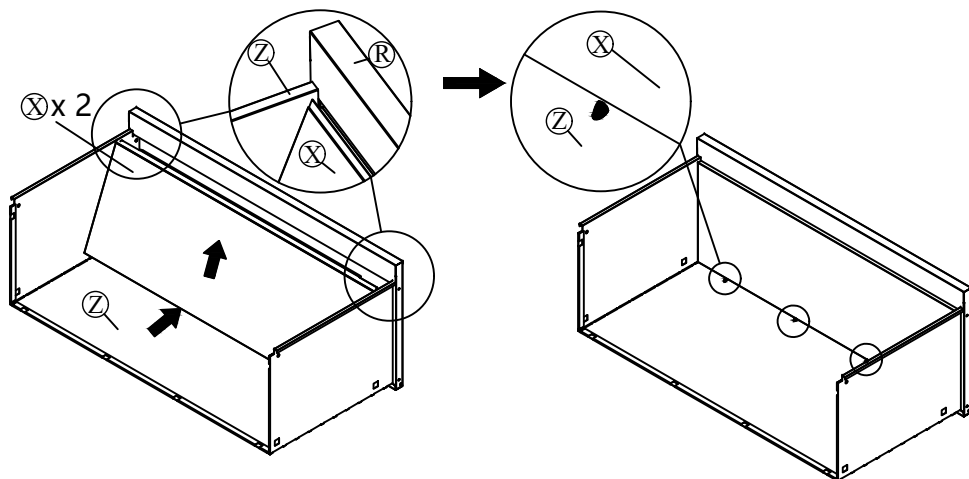
Install handle b on the drawer front panel R with screws



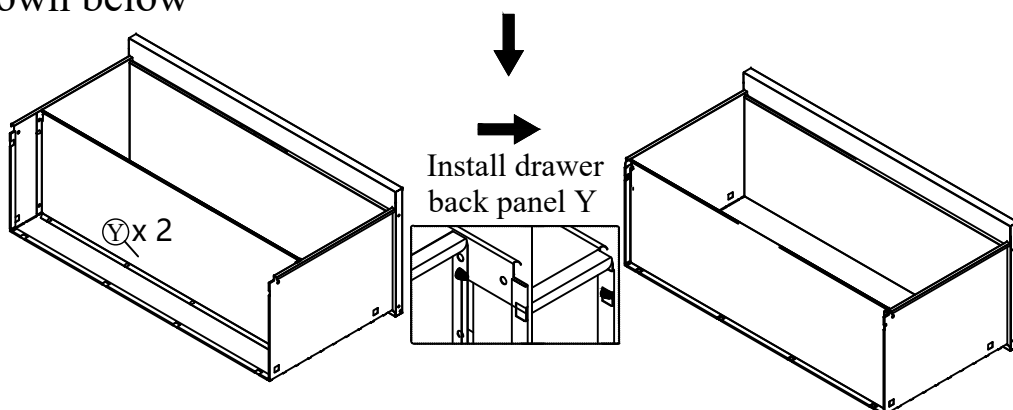
Unfold the drawer bucket Z and insert it into the drawer front panel R



Tilt drawer front baffle X into the drawer, lift it up and fasten it to lower drawer front panel R
Then press down the small pieces to fix the drawer bucket

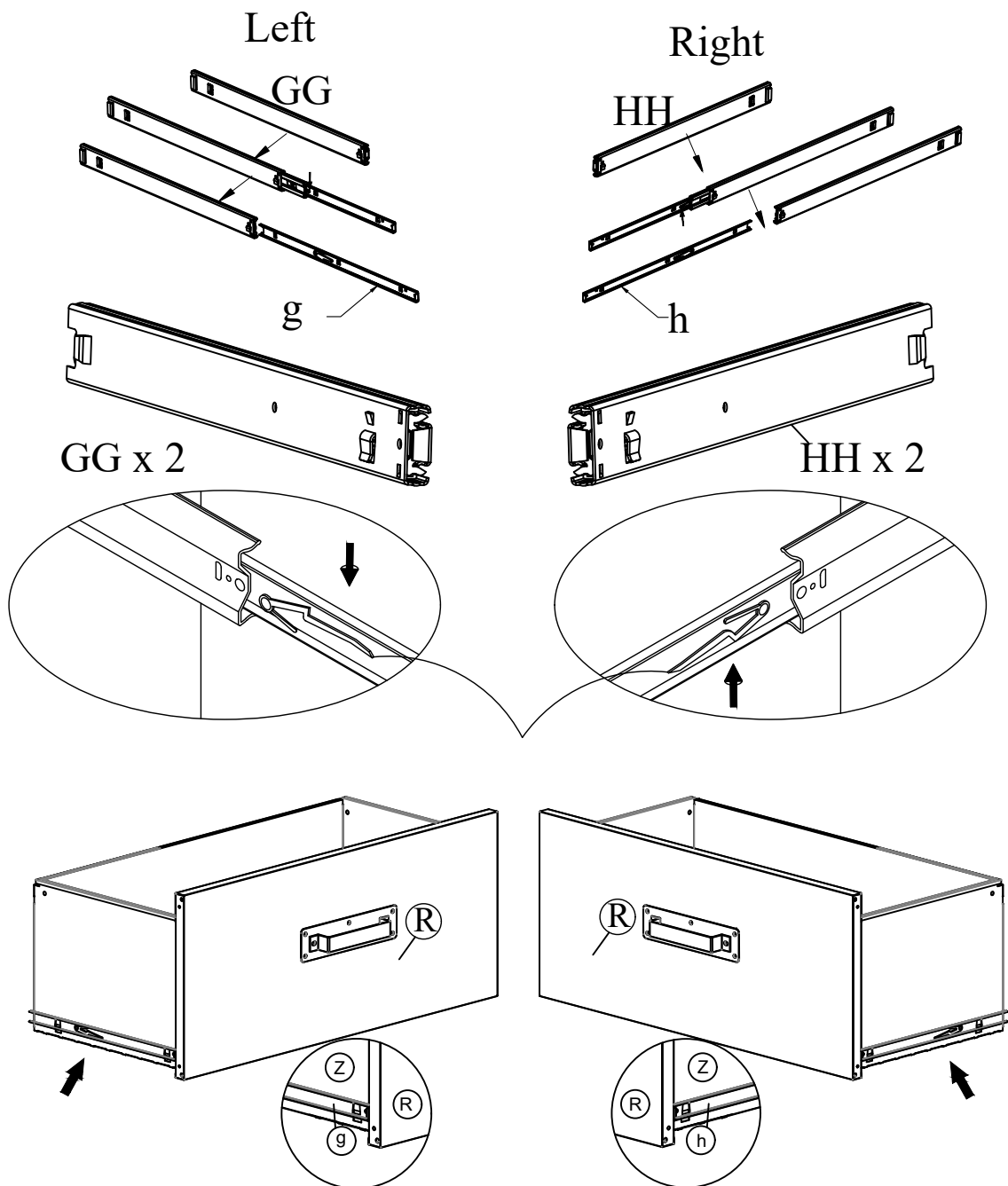


Insert the drawer back panel into the drawer bucket as shown below





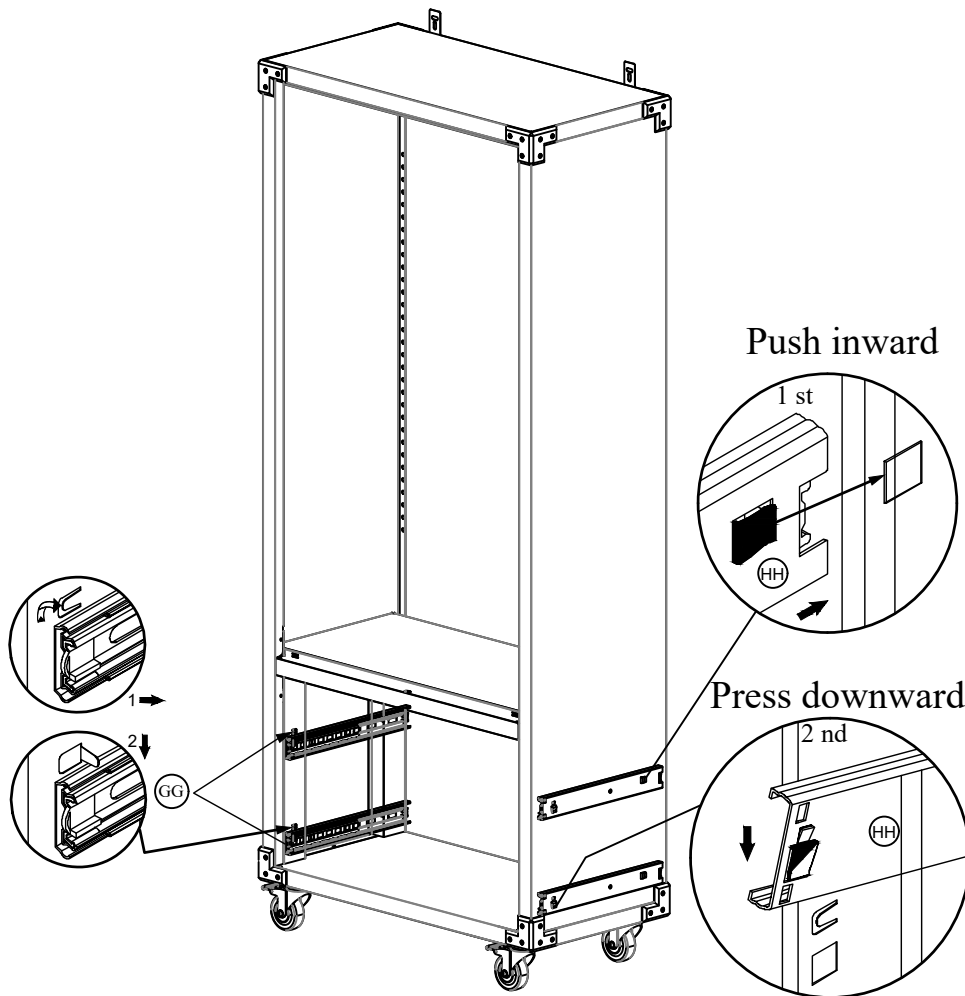
Step 8

Completely pull out all the inner slide rails as shown below
Install inner slide rails h, g on the both sides of the drawers



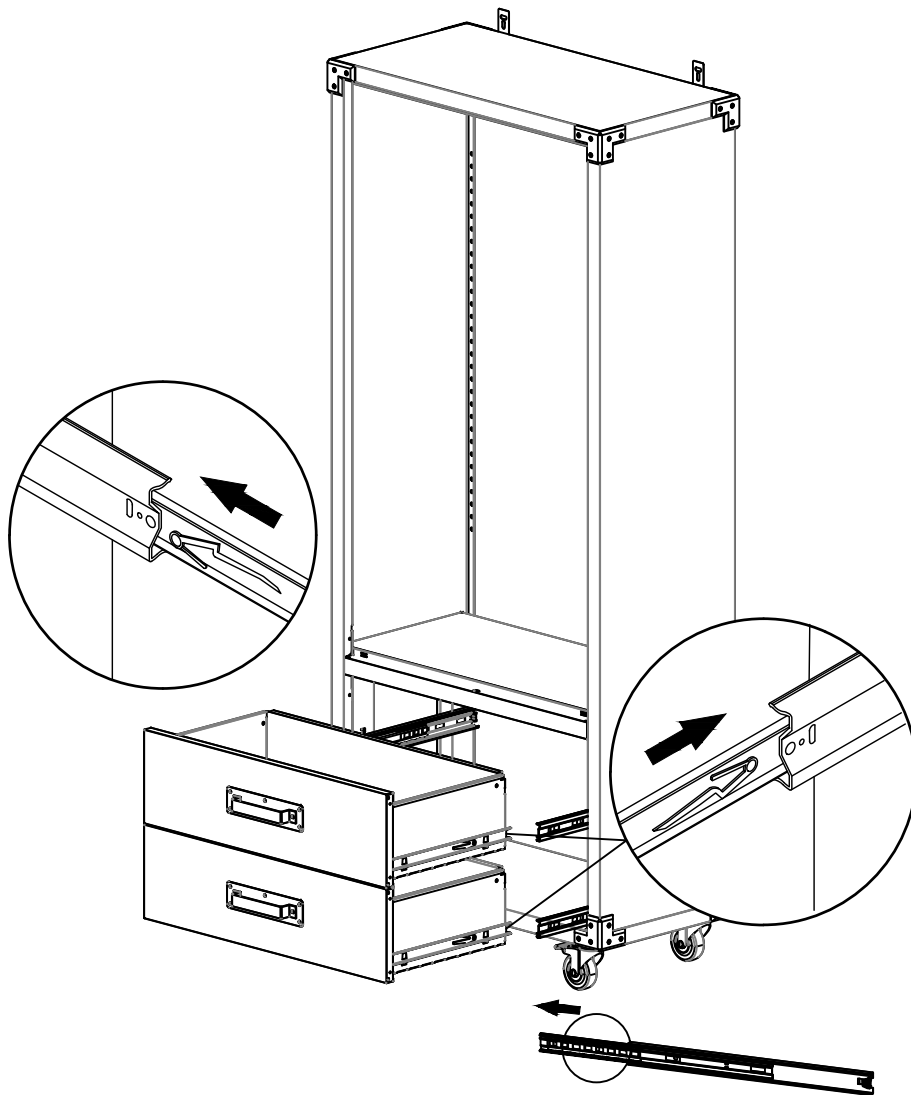
Step 9

- GG  x 2 Install rail brackets GG and HH on the side
HH  x 2 panels C, D



Step 10

Insert inner slide rails into outer slide rails
and install the drawers on the cabinet

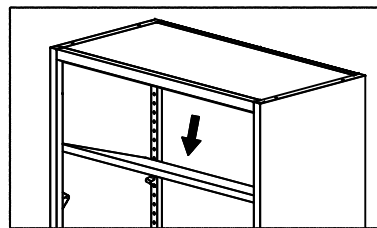
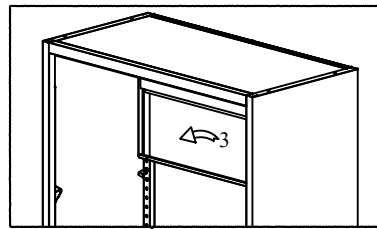
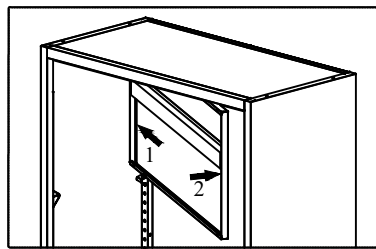
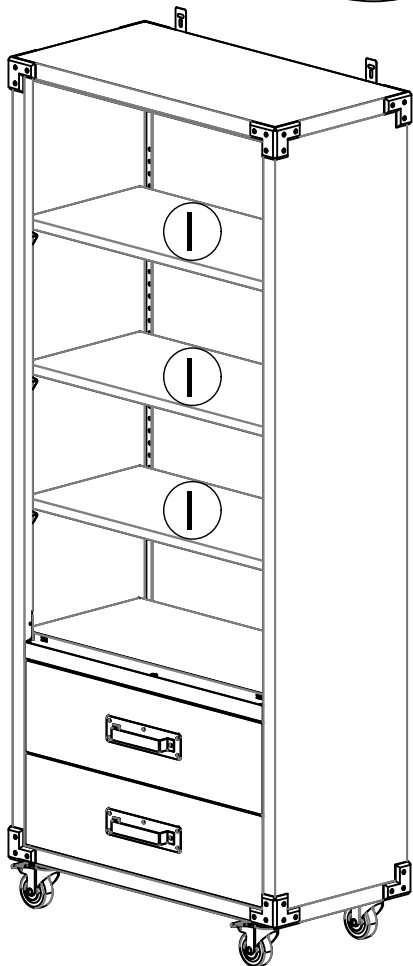
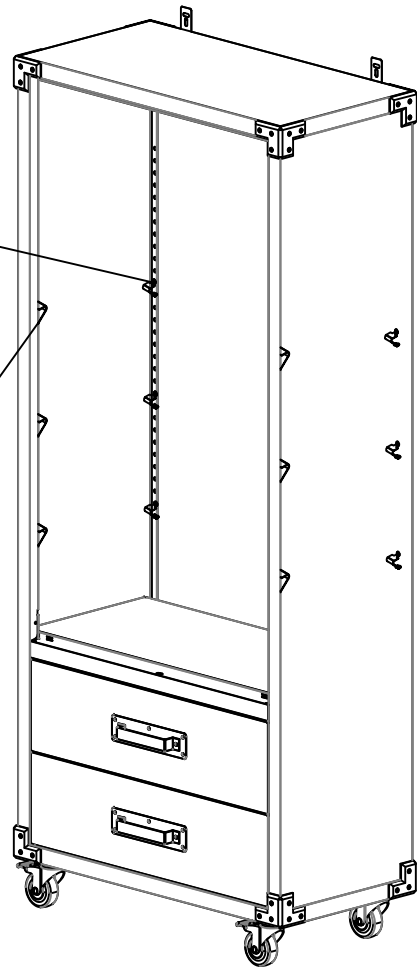
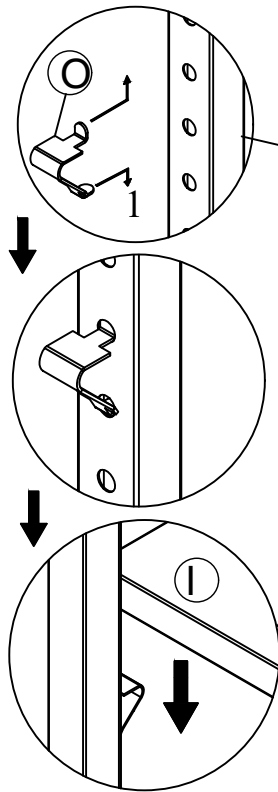


Pull out the outer slide rails

Step 11

Install 12 shelf clasps O and put the shelves I on them (Pay attention to the level)

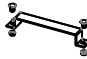
⊙  x 8



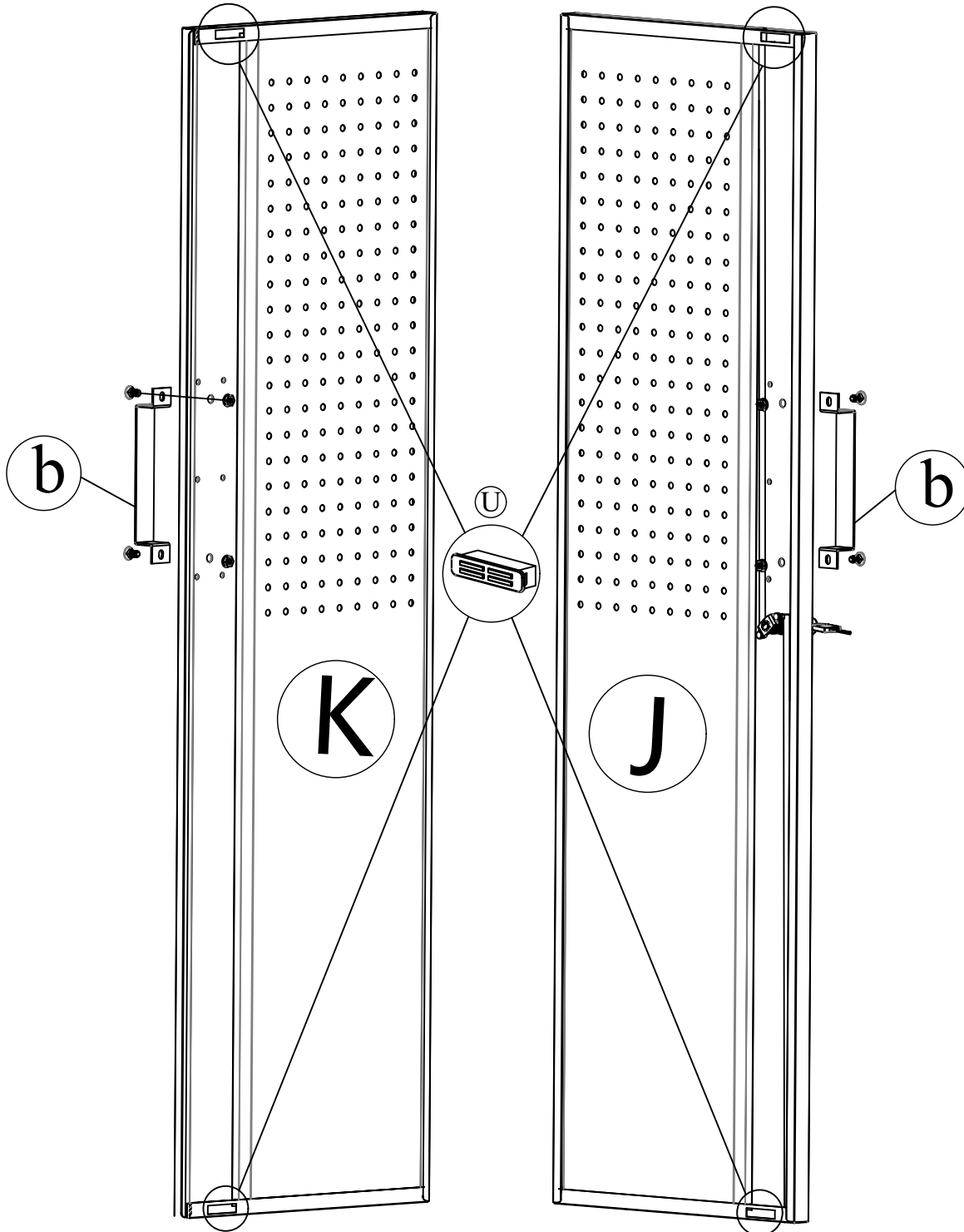
The height of shelves can be adjusted according to the needs

Step 12

Install 2 handles **b** on the doors with 4 screws
Install 4 magnets **U** at the top and bottom of
the doors as shown below

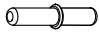
ⓑ  x 2

ⓐ  x 4



Please remove the keys from the door and store them properly
before installing the door

Step 13

Ⓢ  x 2

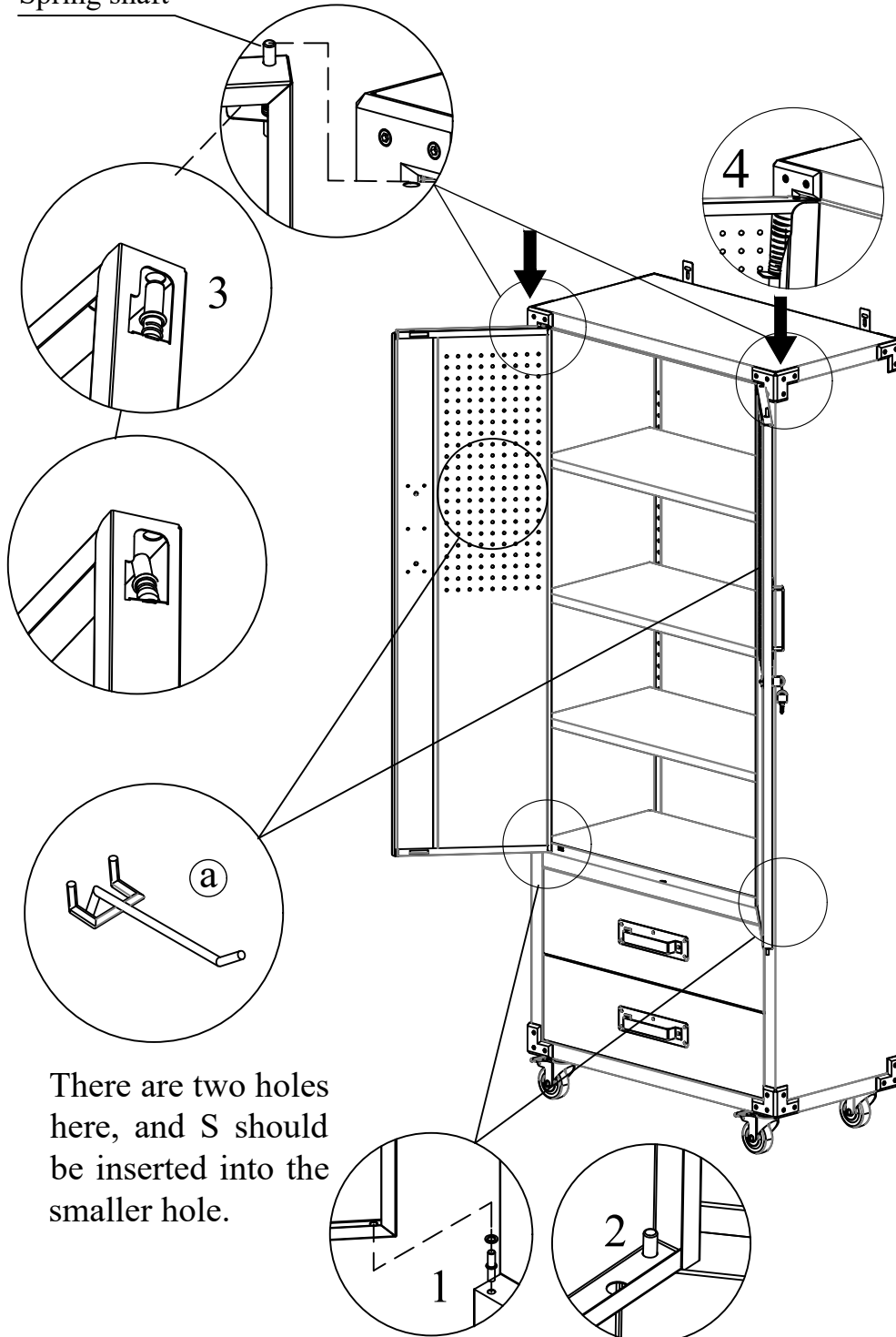
Ⓣ  x 4

ⓐ  x 6

Insert door pivots S into the holes of the both sides of the bottom corner (shims T can be used to adjust), then insert the doors into the door pivots on the bottom and adjust the spring shafts on the top

Install the hooks a on the pegboards of the door as your needs

Spring shaft

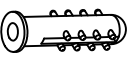


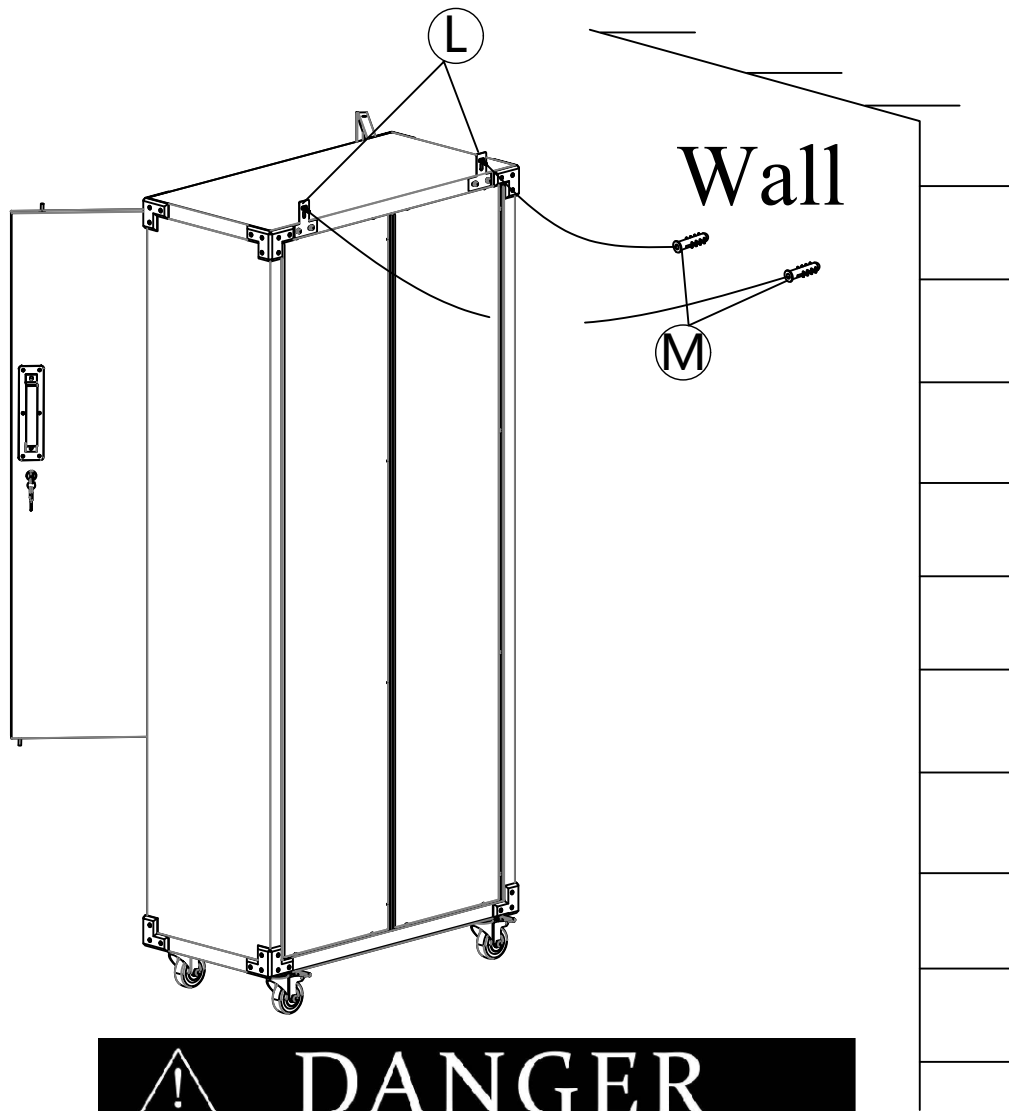
There are two holes here, and S should be inserted into the smaller hole.

Step 14

(L)  x 2

Fix the cabinet to the wall with screws L, M to prevent tipping

(M)  x 2



 **DANGER**



Always secure this furniture with an anchor device.

Unsecured furniture can cause serious injury or death to children.

Never allow children to stand, climb or hang on drawers, doors or shelves.

Never open more than one drawer or door at a time.

Place the heavy items on the lower position.

Never place a television on this furniture.

This is a permanent label. Do not remove!

