

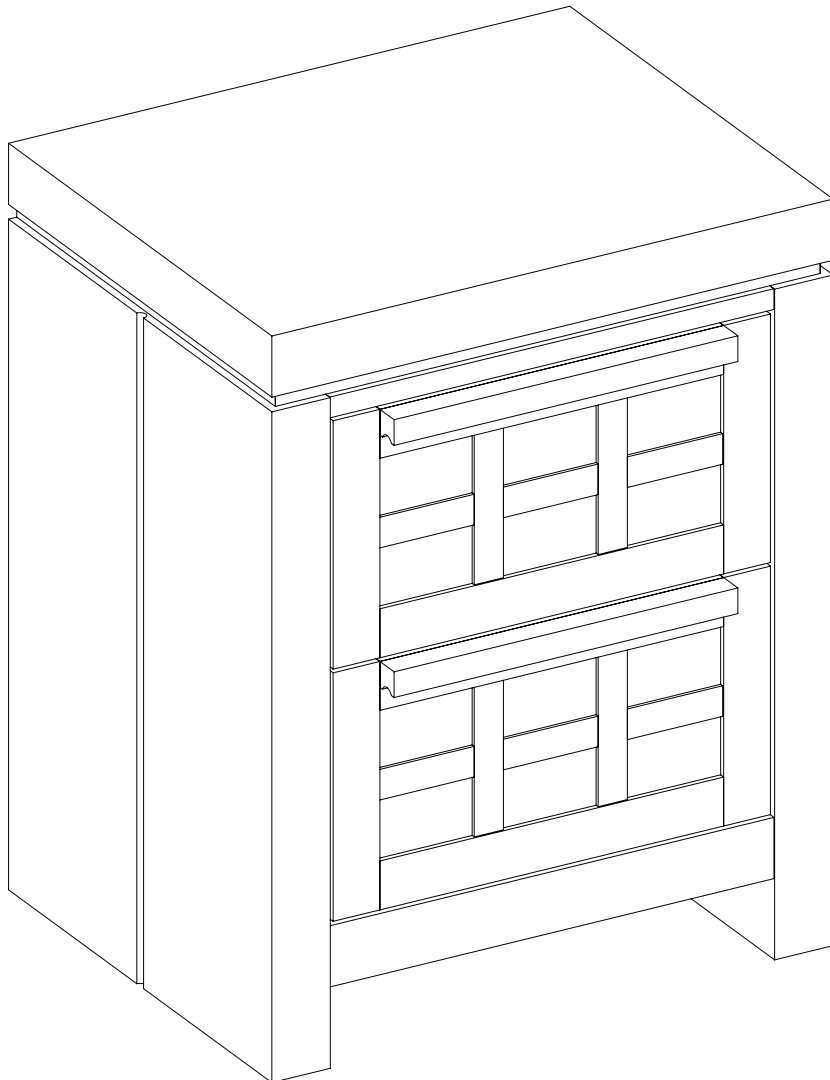
# WALKER EDISON

®

## Nightstand

SKU# WEBKR232D4HO1

SKU# WEBKR232D4BO1



For Residential Use Only

Please visit our website for the most current instructions, assembly tips, report damage, or request parts. [www.walkerredison.com](http://www.walkerredison.com)

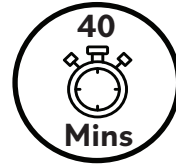


# Time to get started

Set up a clean and soft workplace to get started and avoid damage during the assembly. It also helps to double-check you've got all the pieces and parts before diving in to assembly.

---

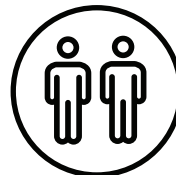
## Estimated time for assembly



---

## People recommended for assembly

Make it a team effort! Grab a friend for quicker, easier assembly.



2 People Build

---

## Tools Needed

Grab a Phillips head screwdriver to conquer this assembly.  
Phillips head screwdriver is not included.



---

## Use power tools with caution

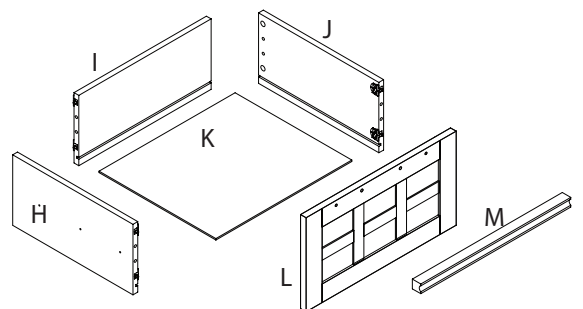
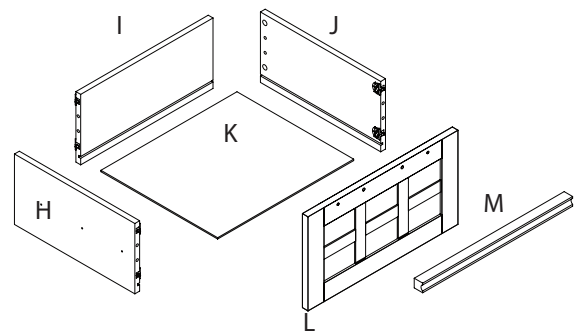
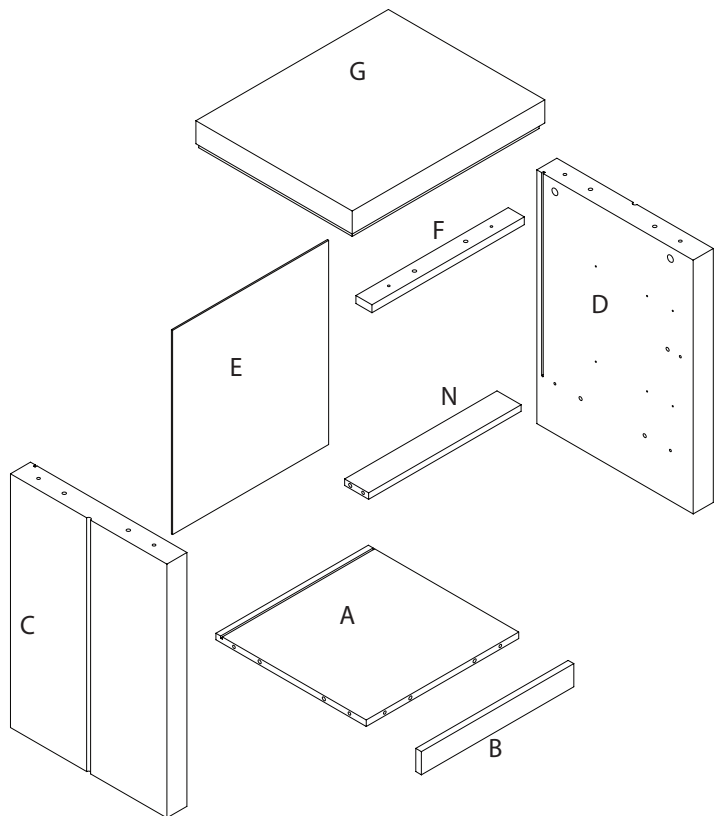
You can cause cracking or damage to the material and easily strip the hardware. If you choose to use a power tool, your product will no longer be covered under Walker Edison's warranty.





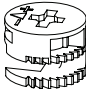

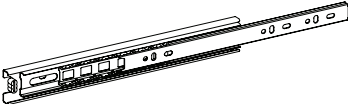
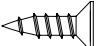
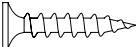





**Scan to get assembly tips and help!**

# WE Parts List

Part Number	Description	Quantity
A	Bottom Panel	1
B	Lower rail	1
C	Left Side Panel	1
D	Right Side Panel	1
E	Back panel	1
F	Top rail	1
G	Top Panel	1
H	Left drawer side panel	2
I	Drawer Back panel	2
J	Right drawer side panel	2
K	Drawer Bottom panel	2
L	Drawe Face Panel	2
M	Handle	2
N	Middle rail	1



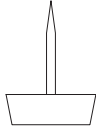
# WE Hardware List

	Part	Size	Name	Quantity	Part code
AA		Ø8x30mm	Wood Dowels	14	PH-DWLNTL001
BB		Ø6x34mm	Cam Bolt	12	PC-KDBZNCH34
CC			Cam Lock	12	PC-KDCZNCH11
DD		Ø30mm	Cover	12	PC-KDPXXX011
EE			Drawer Slide	4	WECHA01204
FF		Ø3.5x12mm	Screw	24	PH-SCRBLK017
GG		Ø4X25mm	Screw	2	PH-SCRBLK018
HH			Back Panel Bracket	4	PH-BKTBLK017
II		Ø6X30 mm	Wood Dowels	16	PH-DWLNTL002
JJ		Ø6x20mm	Wood Dowels	4	PC-DWLLCD6L20
KK		Ø4x20mm	Bolt	4	PC-BOTTBD4L20
LL			Tipping Restraint Hardware	1	PH-FTRHH510

*The hardware quantities listed above are required for proper assembly.  
Extra hardware pieces may be included.*

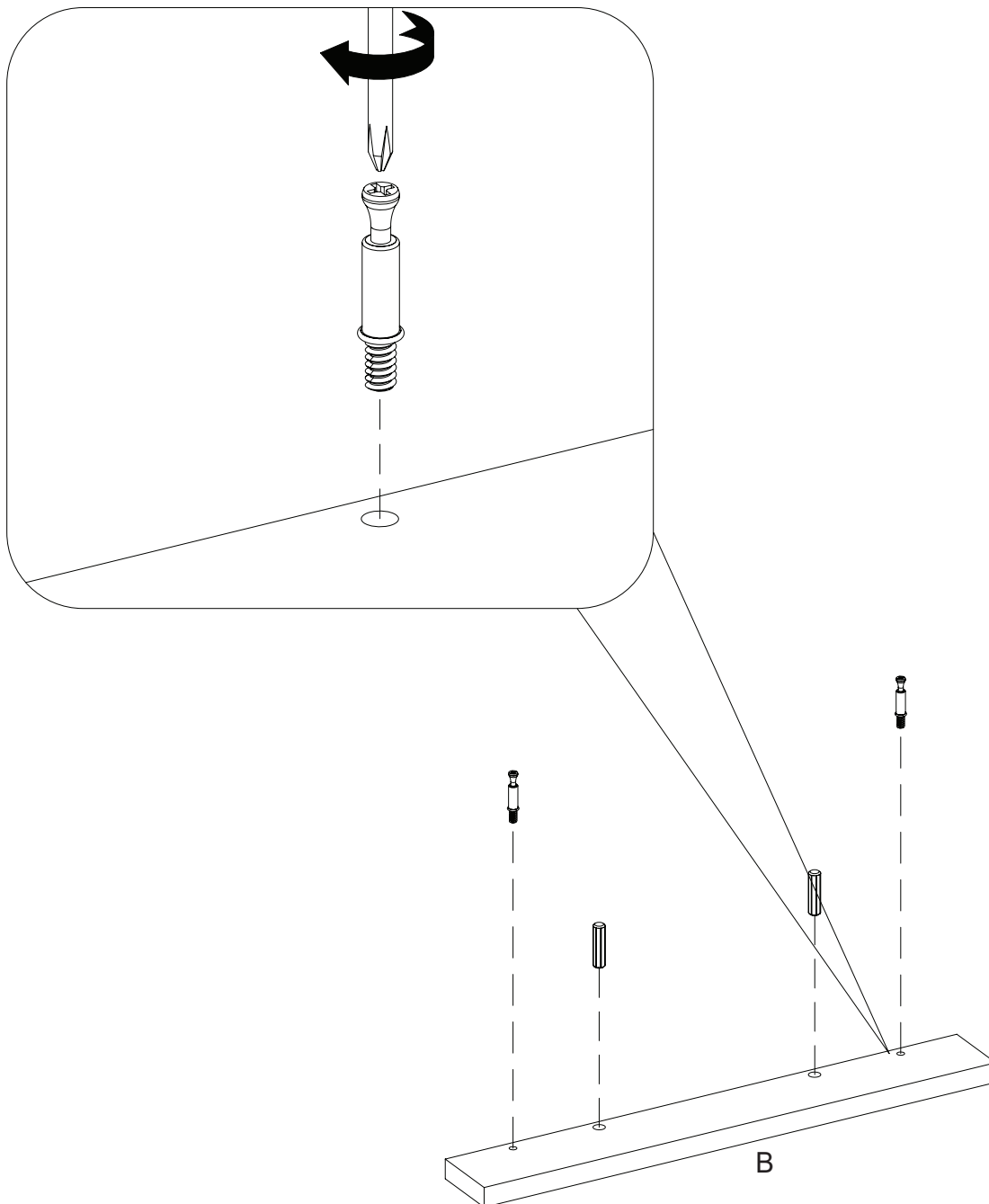


# Installed Replacements Parts

Part	Size	Name	Quantity	Part code
MM		Floor glide	4	PH-GLDWHT001

# Step 1

Let's get started! First, screw the cam bolts (BB) and insert the wood dowels (AA) into the lower rail (B).



AA



[x2]

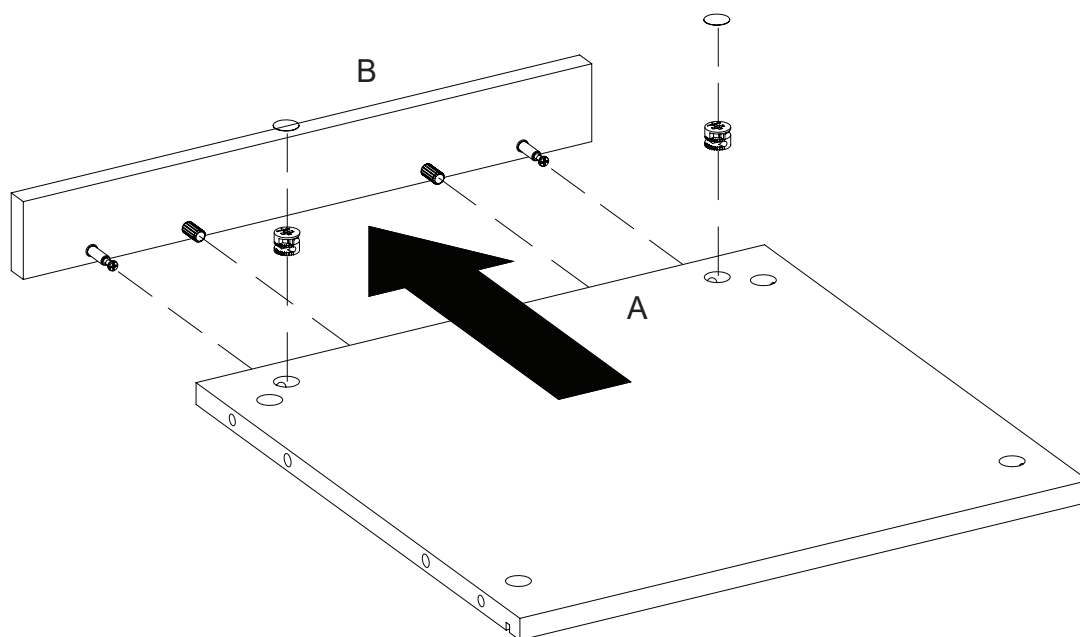
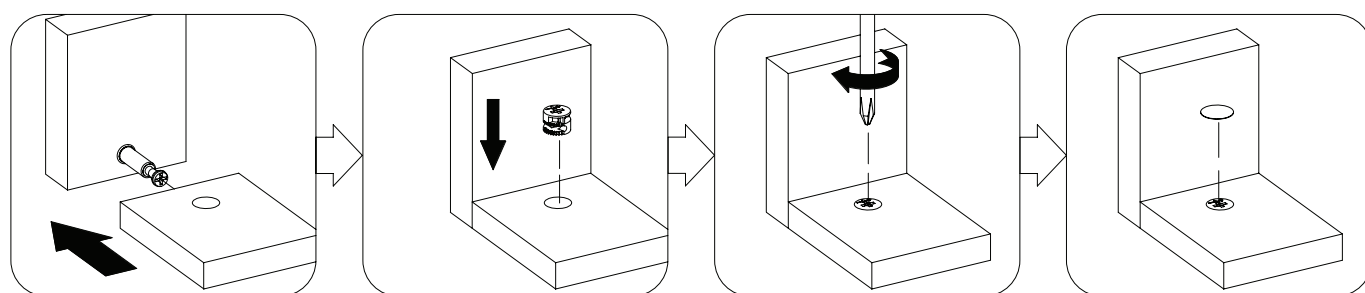
BB



[x2]

## Step 2

Align the pre-drilled holes in the bottom panel (A) to the cam bolts and wood dowels in the lower rail (B) and attach them together. Insert and tighten the cam locks (CC) and place a cover (DD) over each cam lock.



CC



[x2]

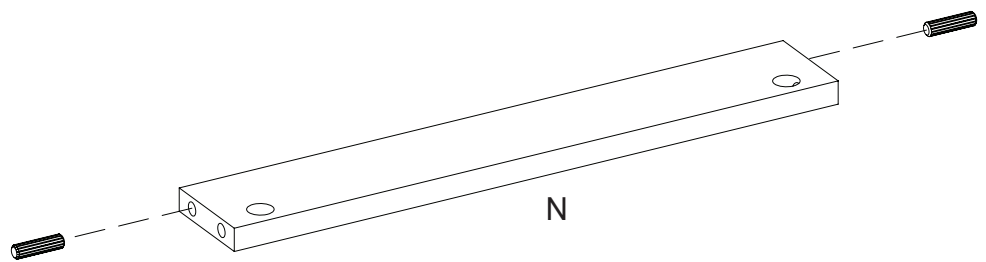
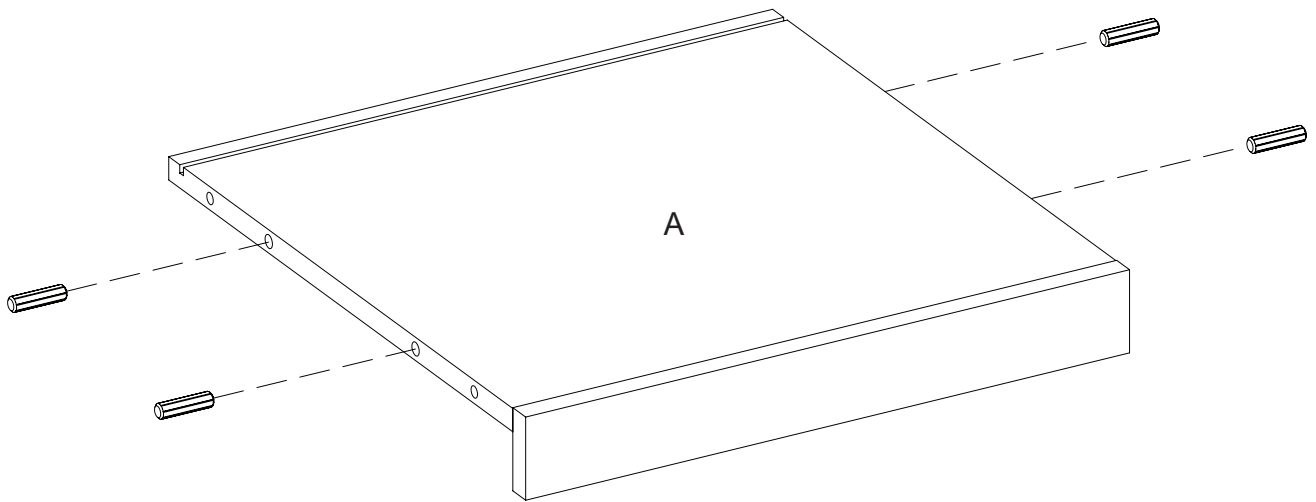
DD



[x2]

# Step 3

Now, insert the wood dowels (AA) into both the bottom panel (A) and the middle rail (N).



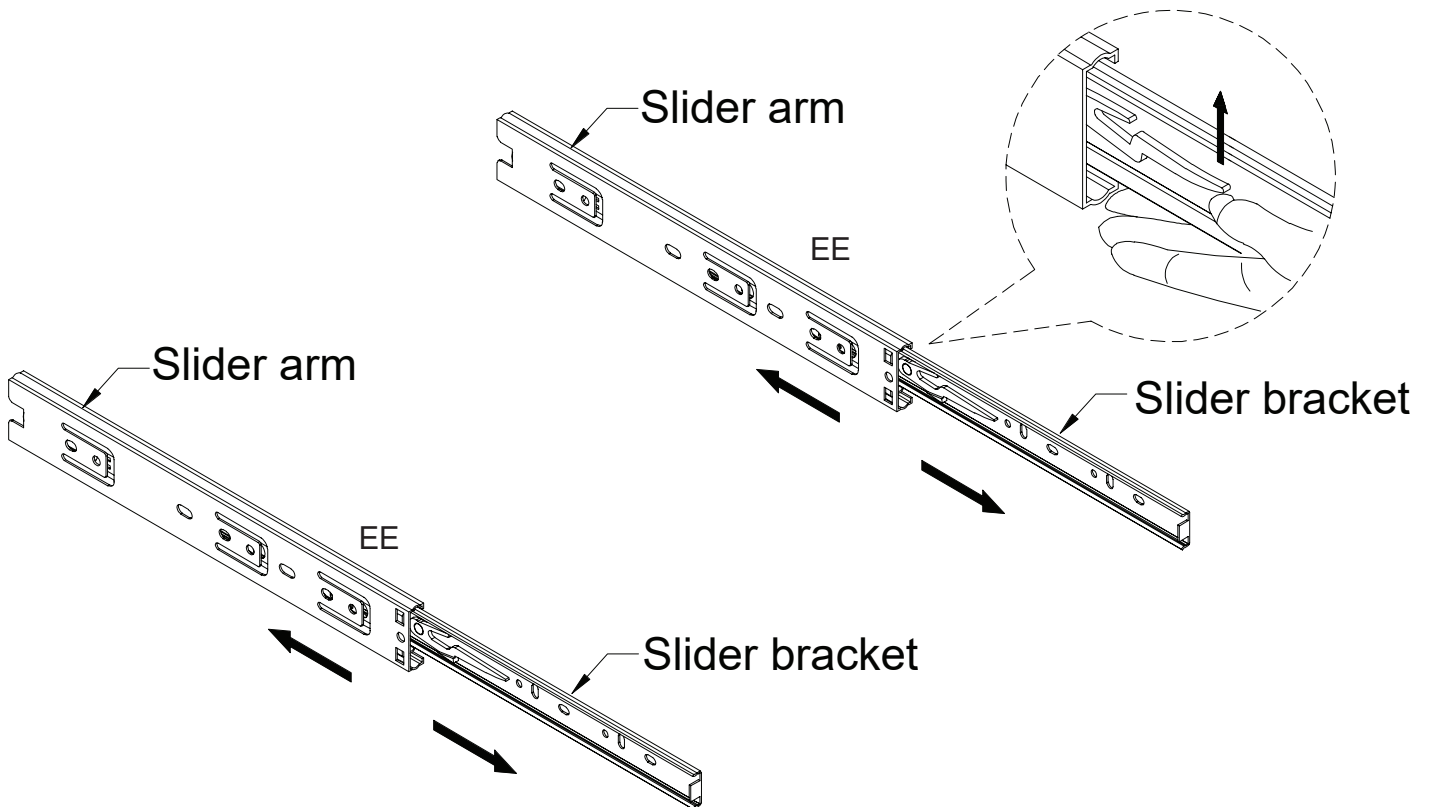
AA



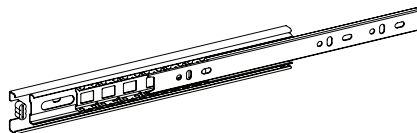
[x6]

# Step 4

Separate the slider arm from the slider bracket.



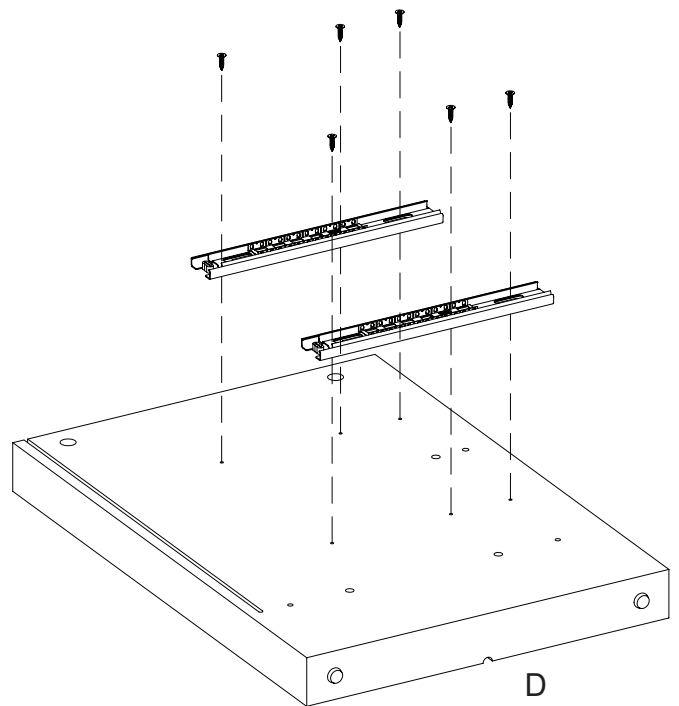
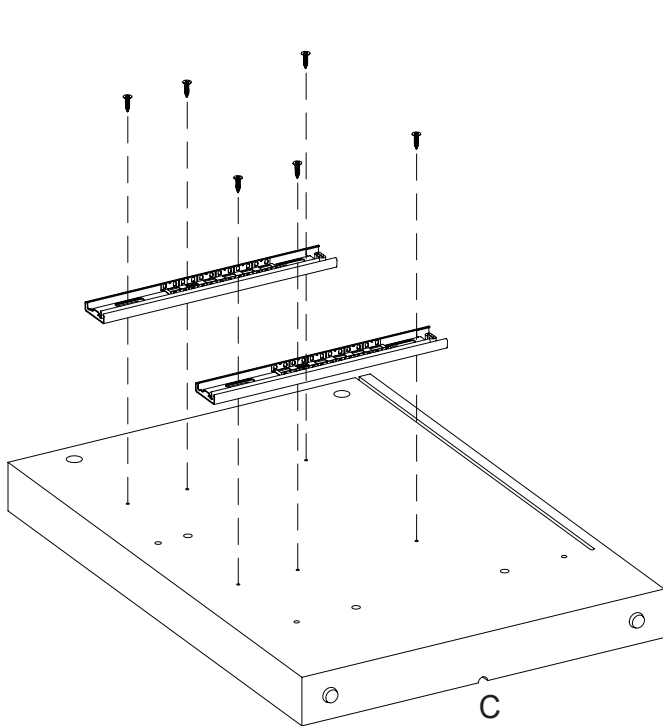
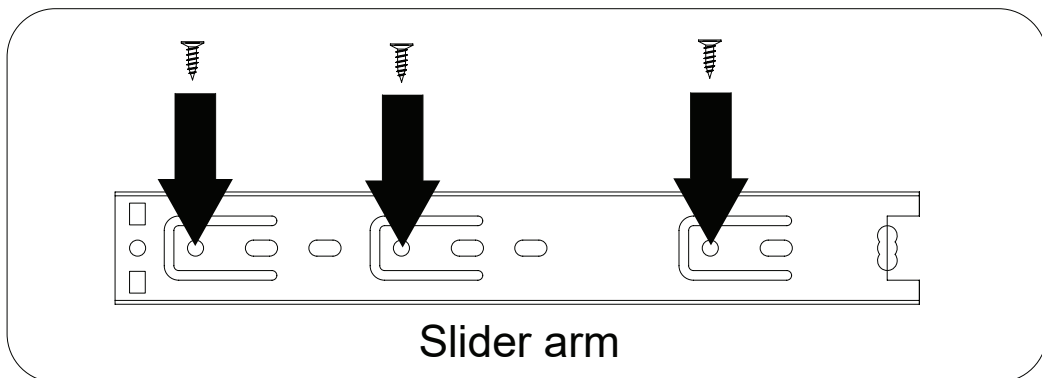
EE



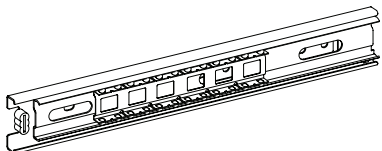
[x4]

# Step 5

Attach the slider arm to the left and right panel sides (C and D) using the screws (FF).



EE



[x4]

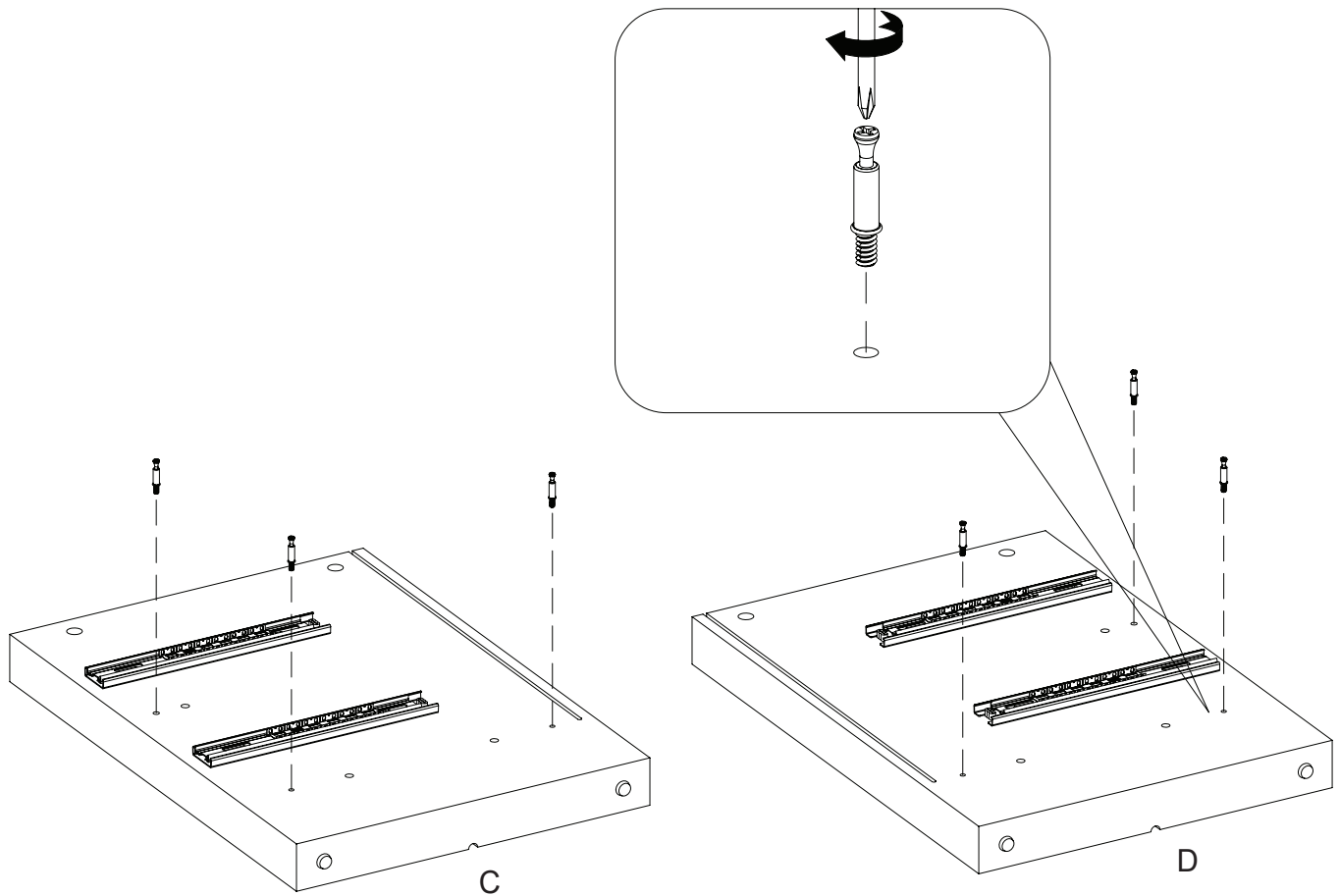
FF



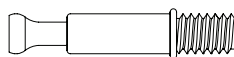
[x12]

# Step 6

Now, screw the cam bolts (BB) into the left and right panel sides (C and D).



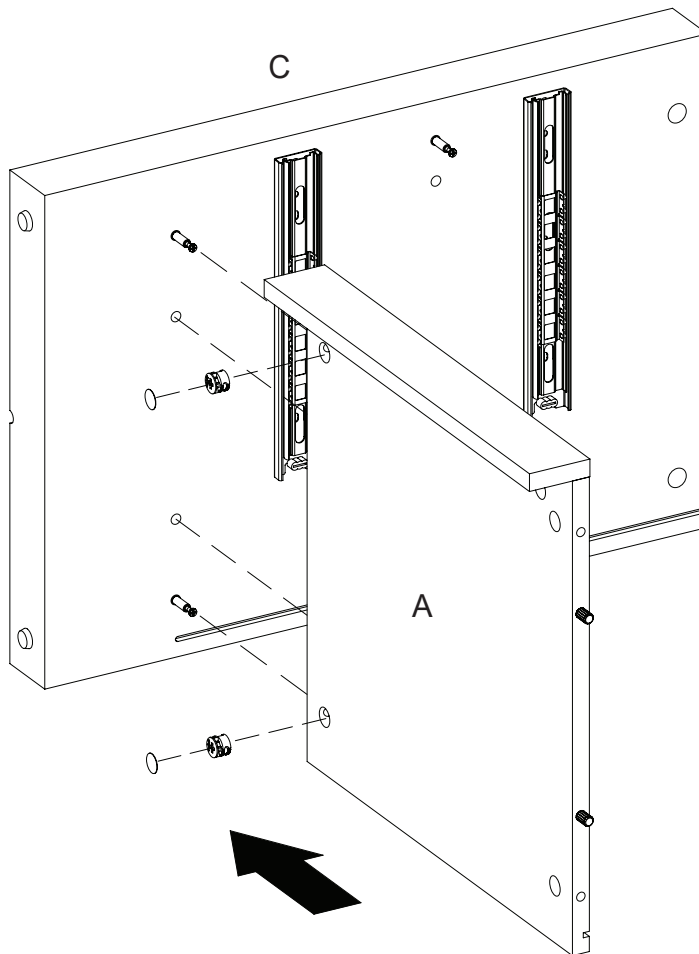
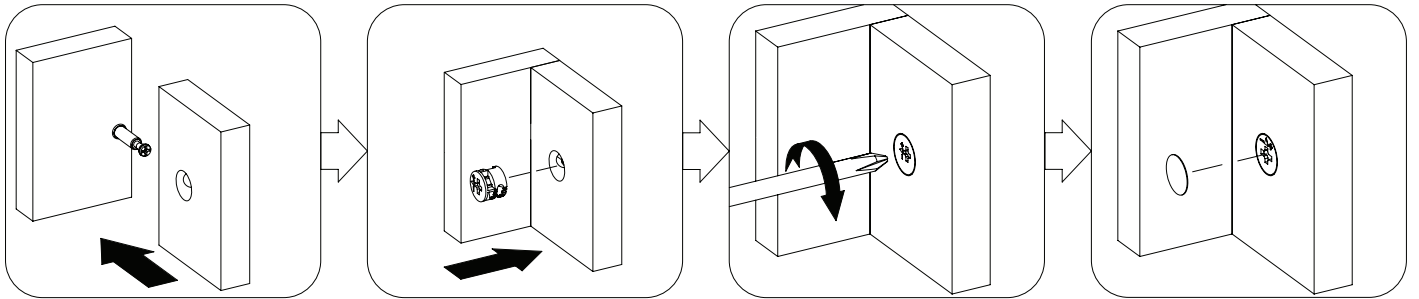
BB



[x6]

# Step 7

Align the cam bolts to the pre-drilled holes and attach the left panel side (C) to the bottom panel (A). Secure using the cam locks (CC) and place a cover (DD) over each cam lock.



CC



[x2]

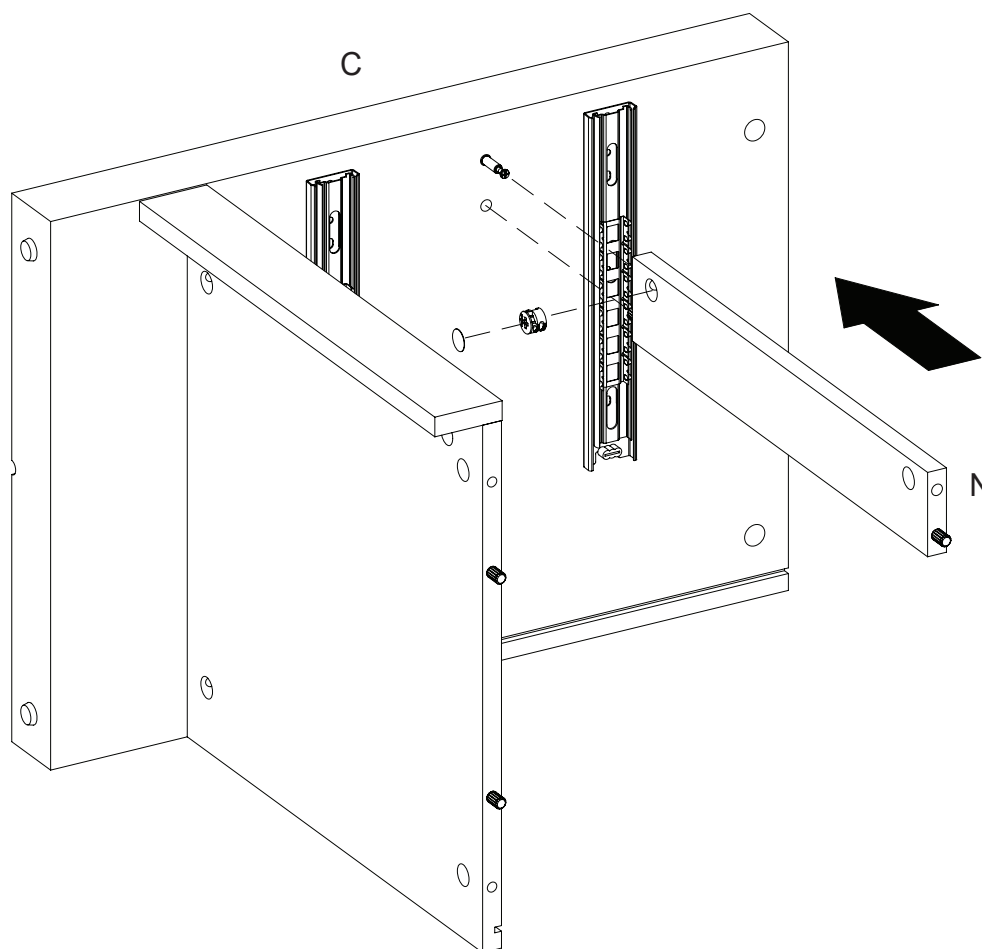
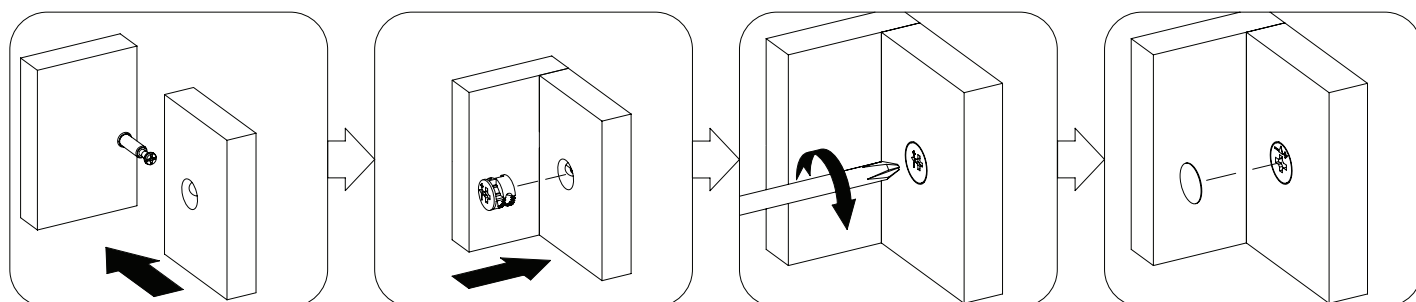
DD



[x2]

# Step 8

Repeat a similar process for the middle rail (N), taking care to follow the image below.



CC



[x1]

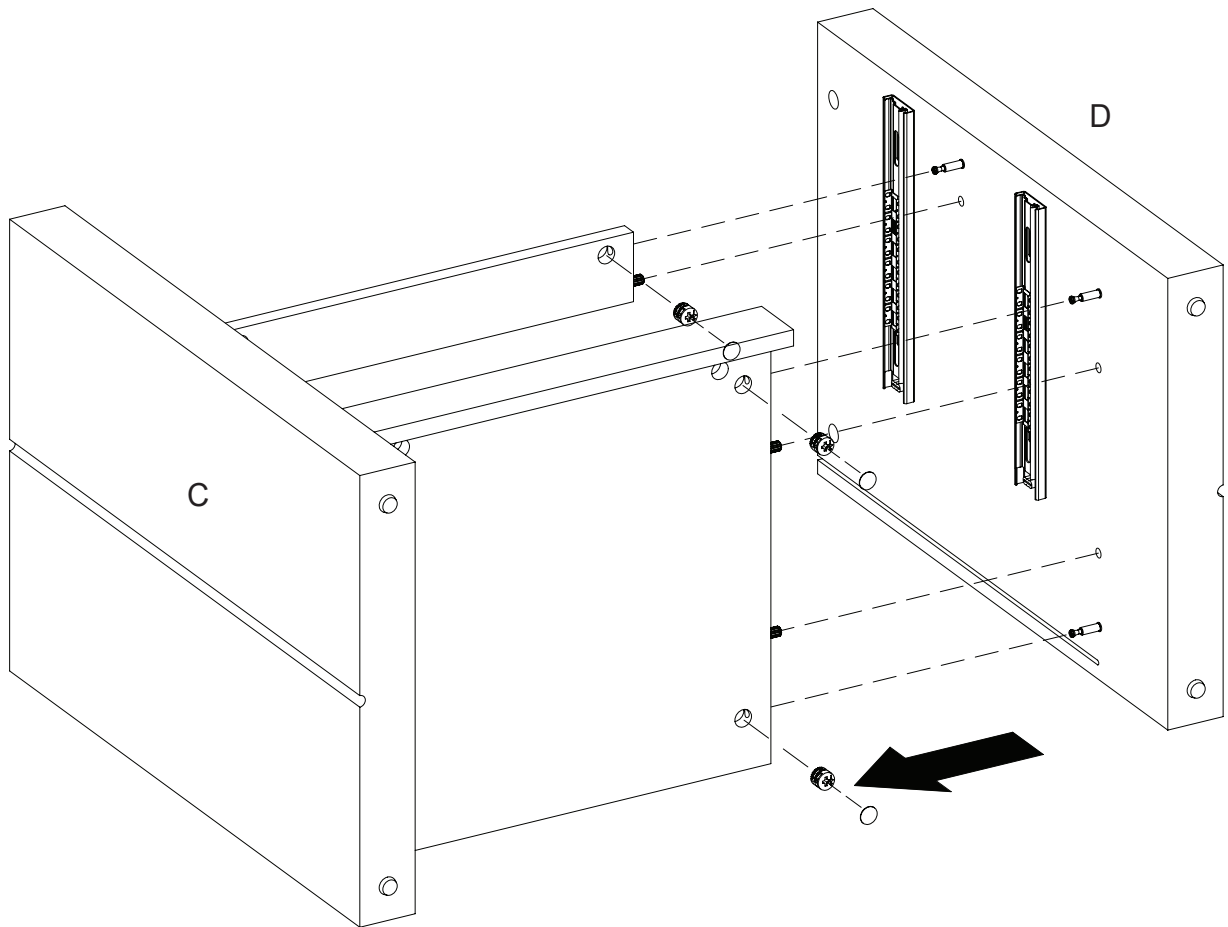
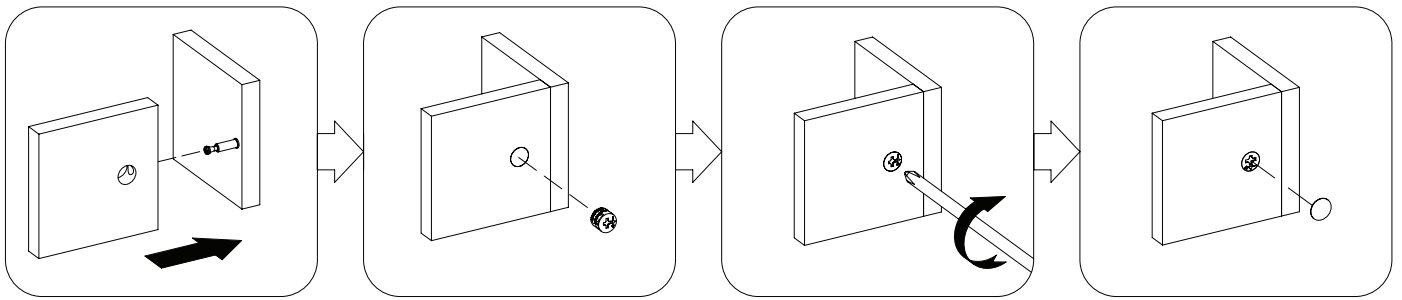
DD



[x1]

# Step 9

Then, attach the right side panel (D) to the main assembly using the cam locks (CC) and place a cover (DD) over each cam lock.



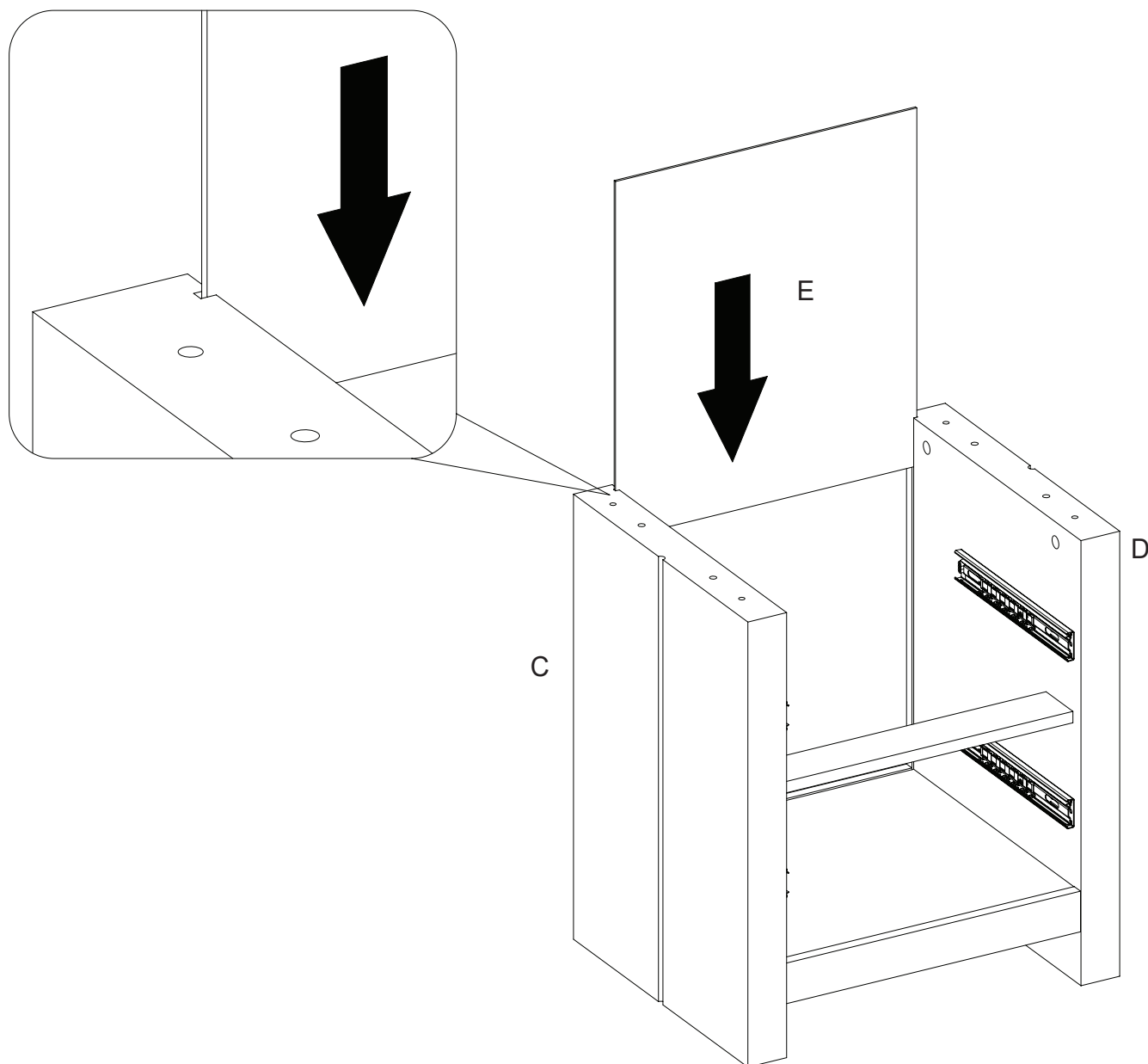
[x3]



[x3]

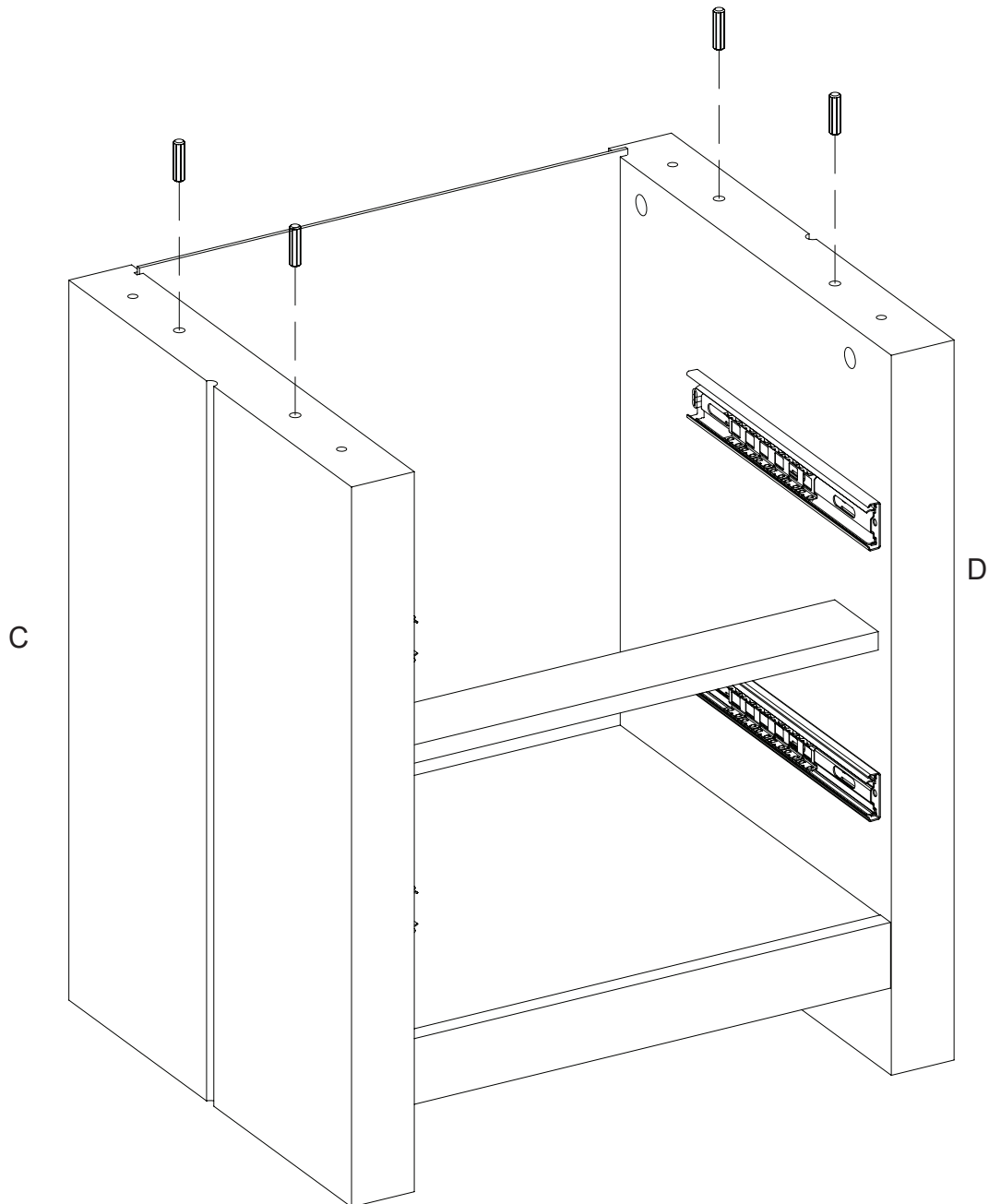
# Step 10

Slide the back panel (E) into position as shown.



# Step 11

Insert the wood dowels (AA) into the main assembly.



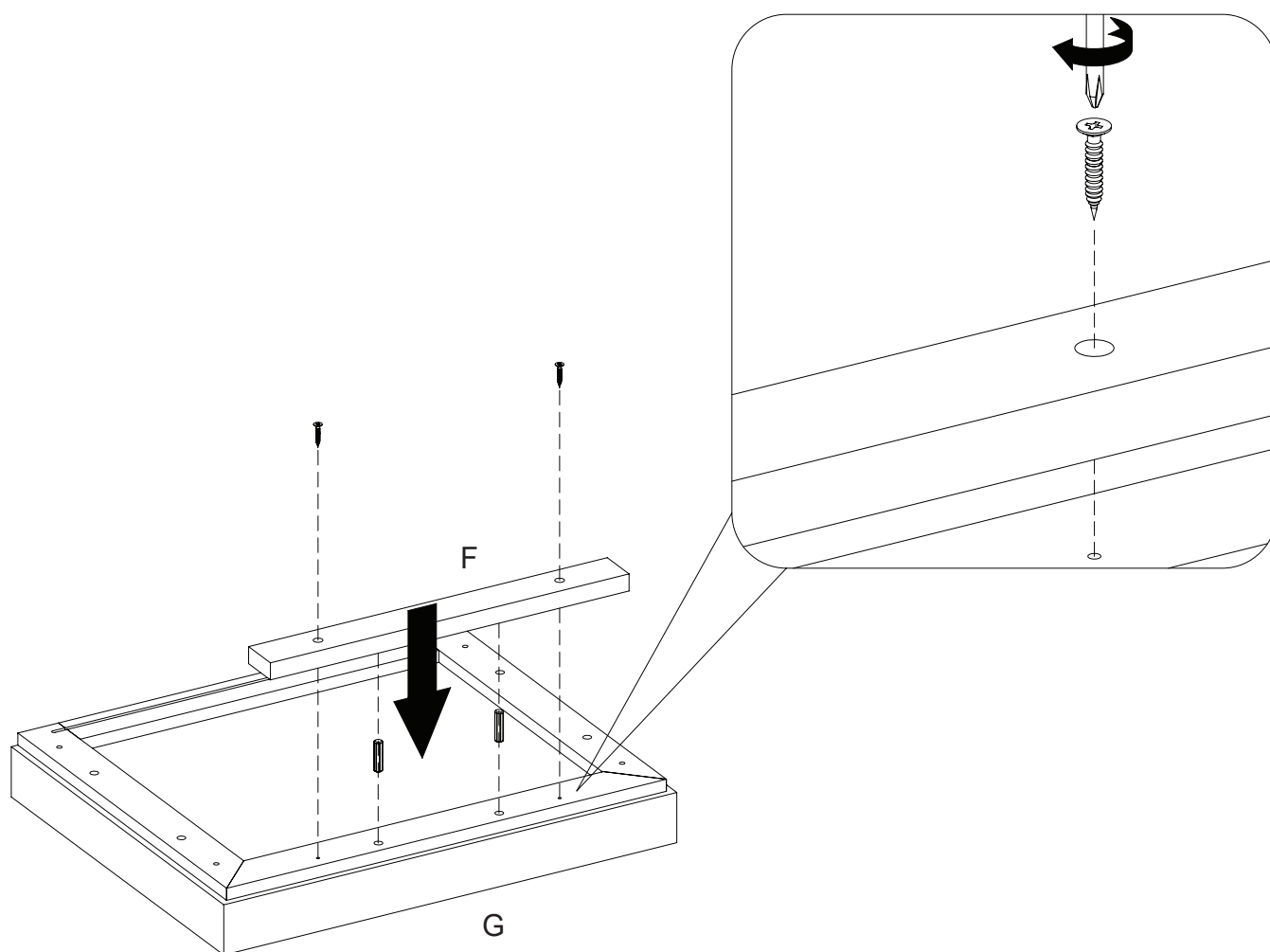
AA



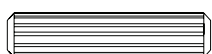
[x4]

# Step 12

Insert wood dowels (AA) in the top panel (G) and then attach the top rail (F) using the screws (GG).



AA



[x2]

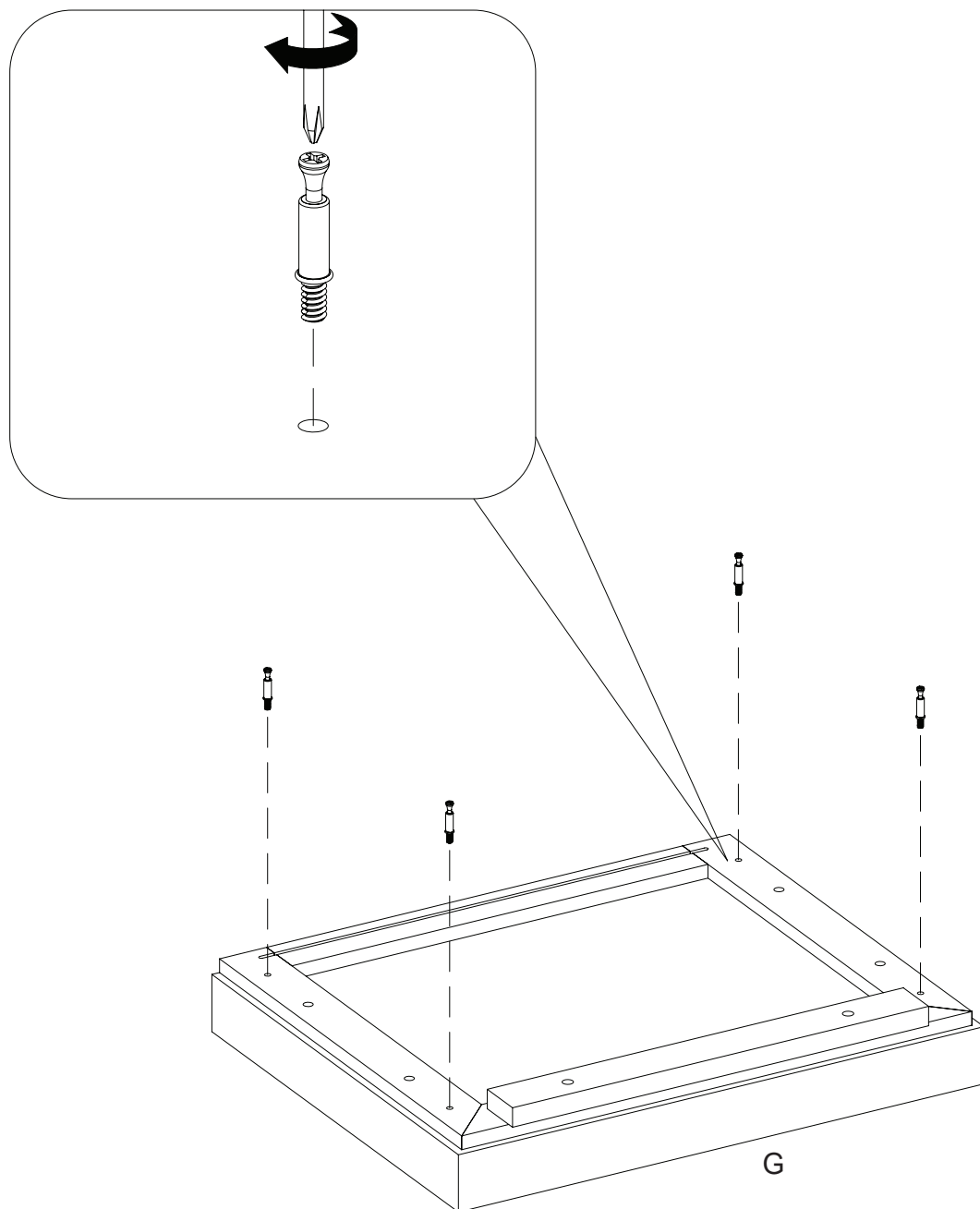
GG



[x2]

# Step 13

Screw the cam bolts (BB) into the top panel (G) as shown.



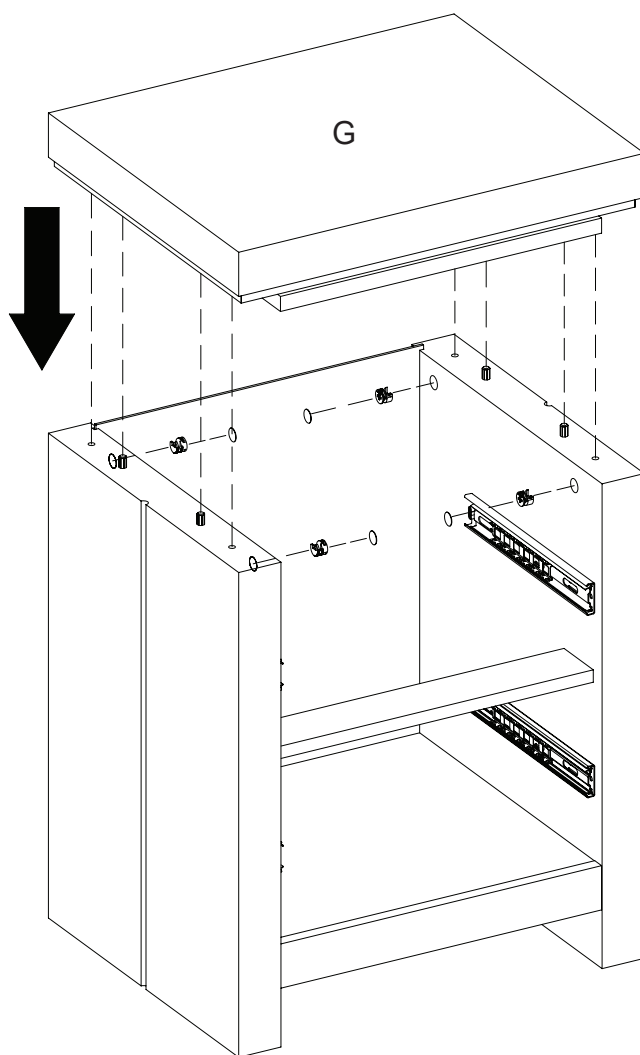
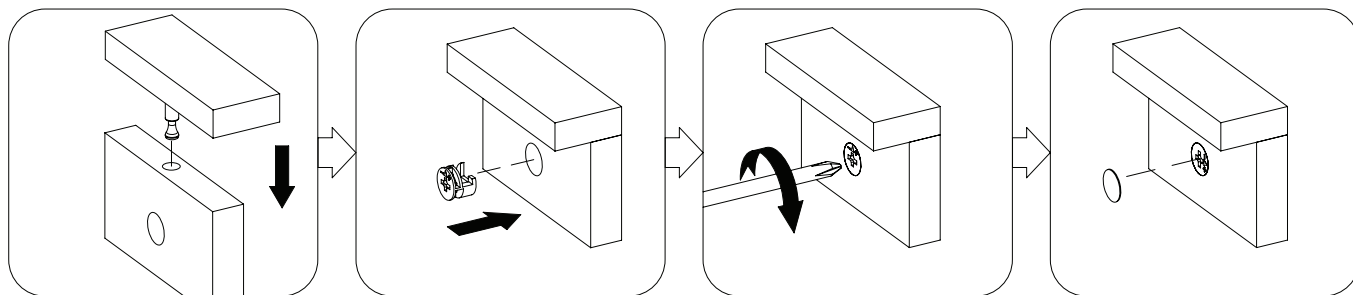
BB



[x4]

# Step 14

Flip the top panel (G) over, align the cam bolts to the pre-drilled holes and attach the top panel to the main assembly using the cam locks (CC). Then place a cover (DD) over each cam lock.



CC



[x4]

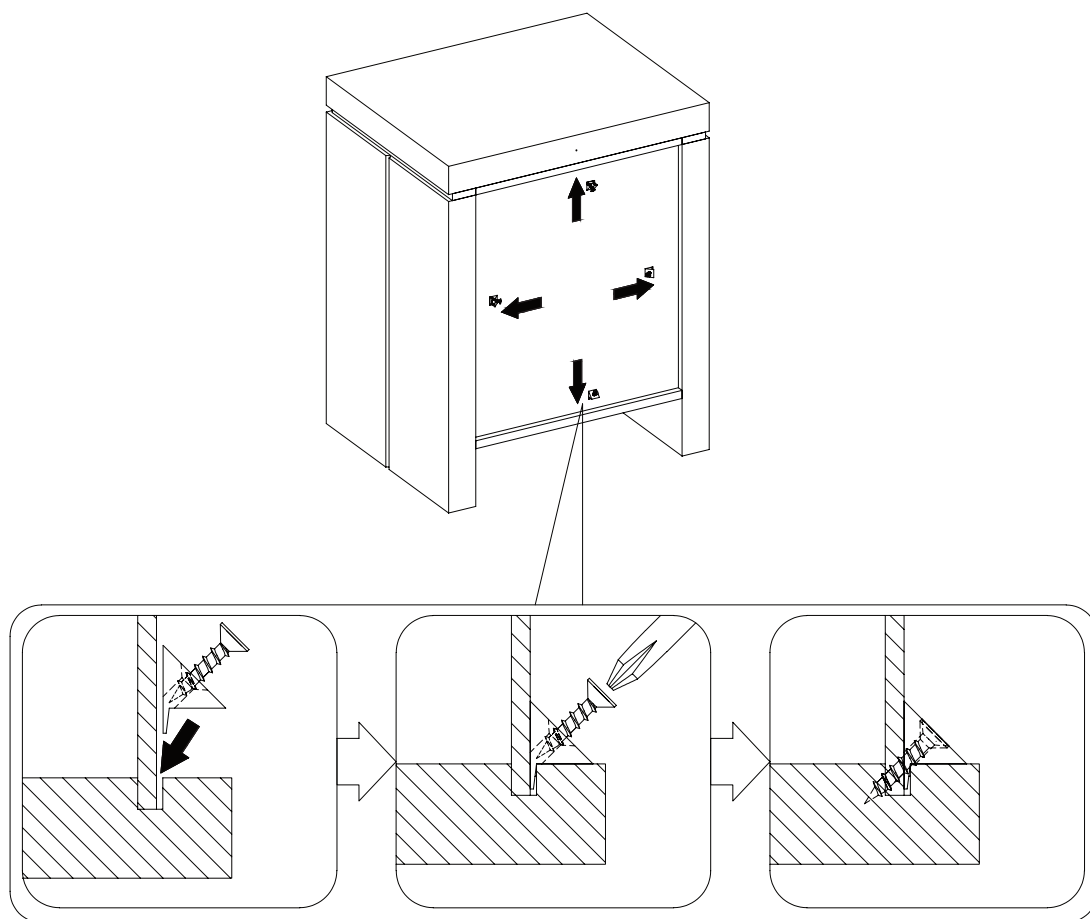
DD



[x4]

# Step 15

Place the back panel bracket (HH) between the back panels and the grooves of the assembly as shown. Fasten each back panel bracket (HH) using pre-attached screws.



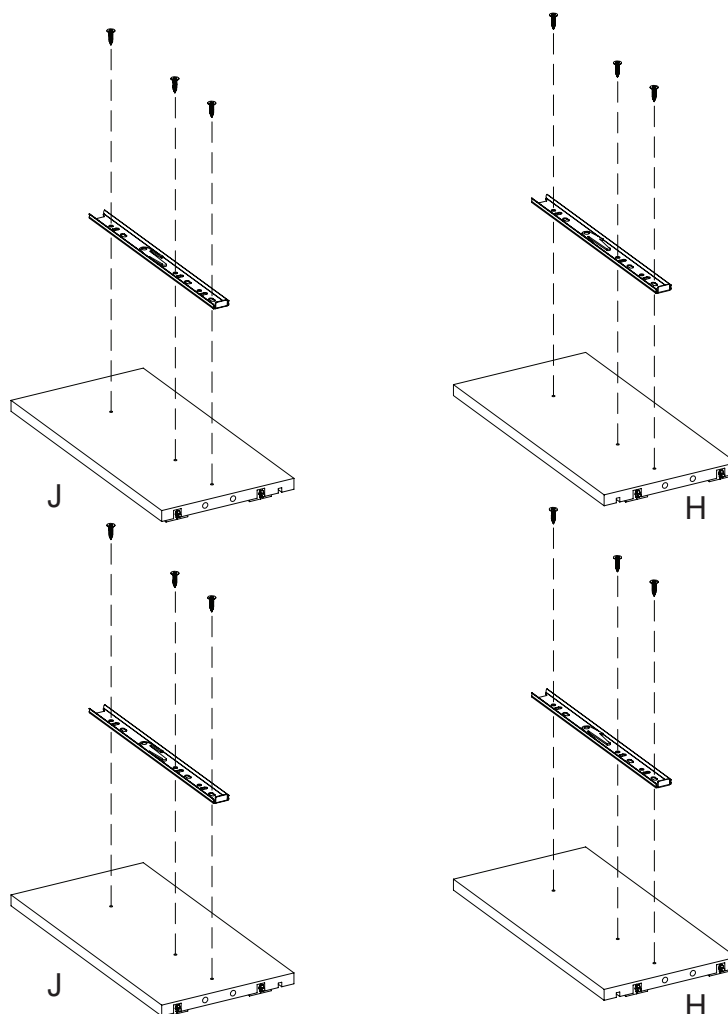
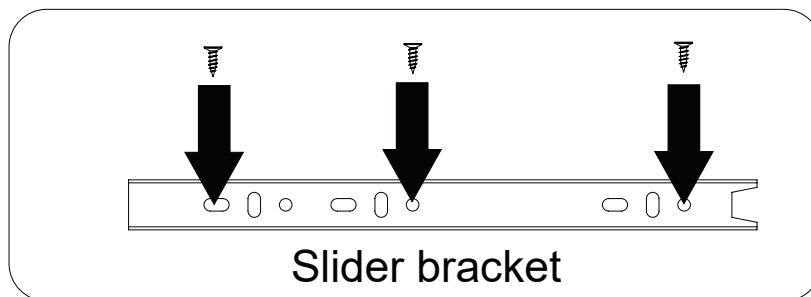
HH



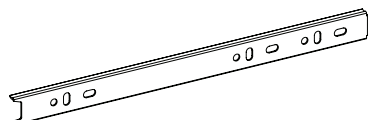
[x4]

# Step 16

Now, attach the slider bracket (EE) to the drawer side panels (J and H) using the screws (FF).



EE



[x4]

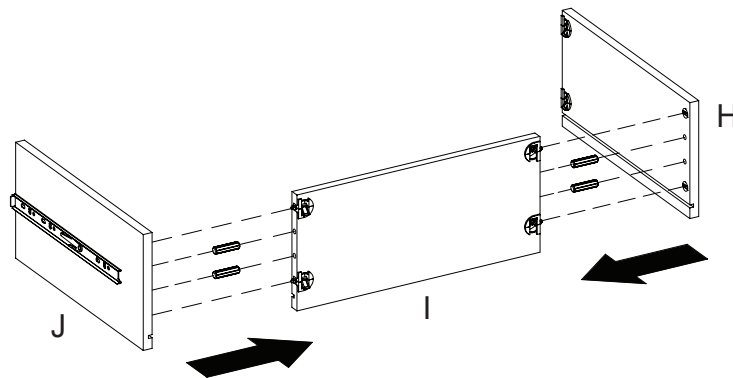
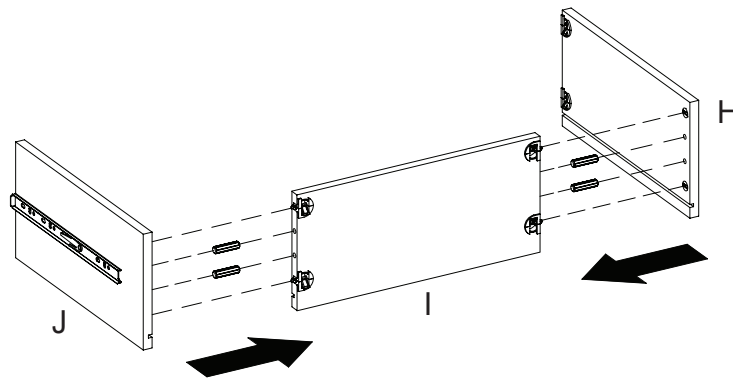
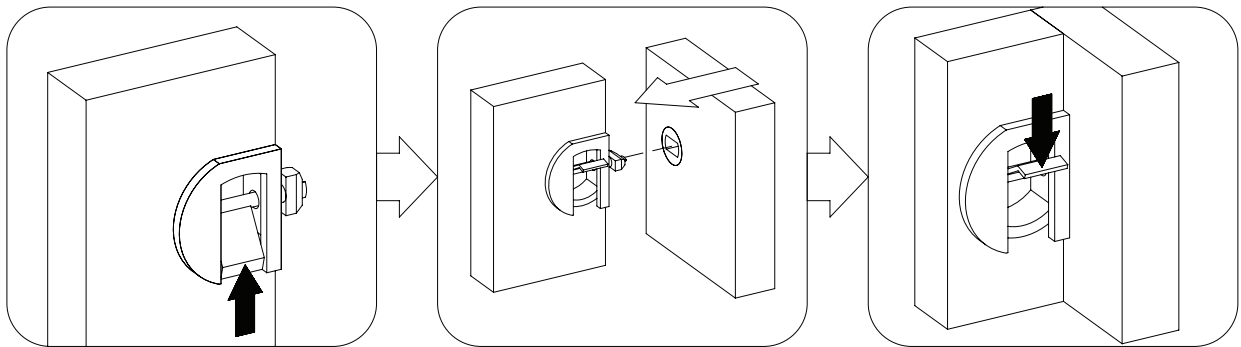
FF



[x12]

# Step 17

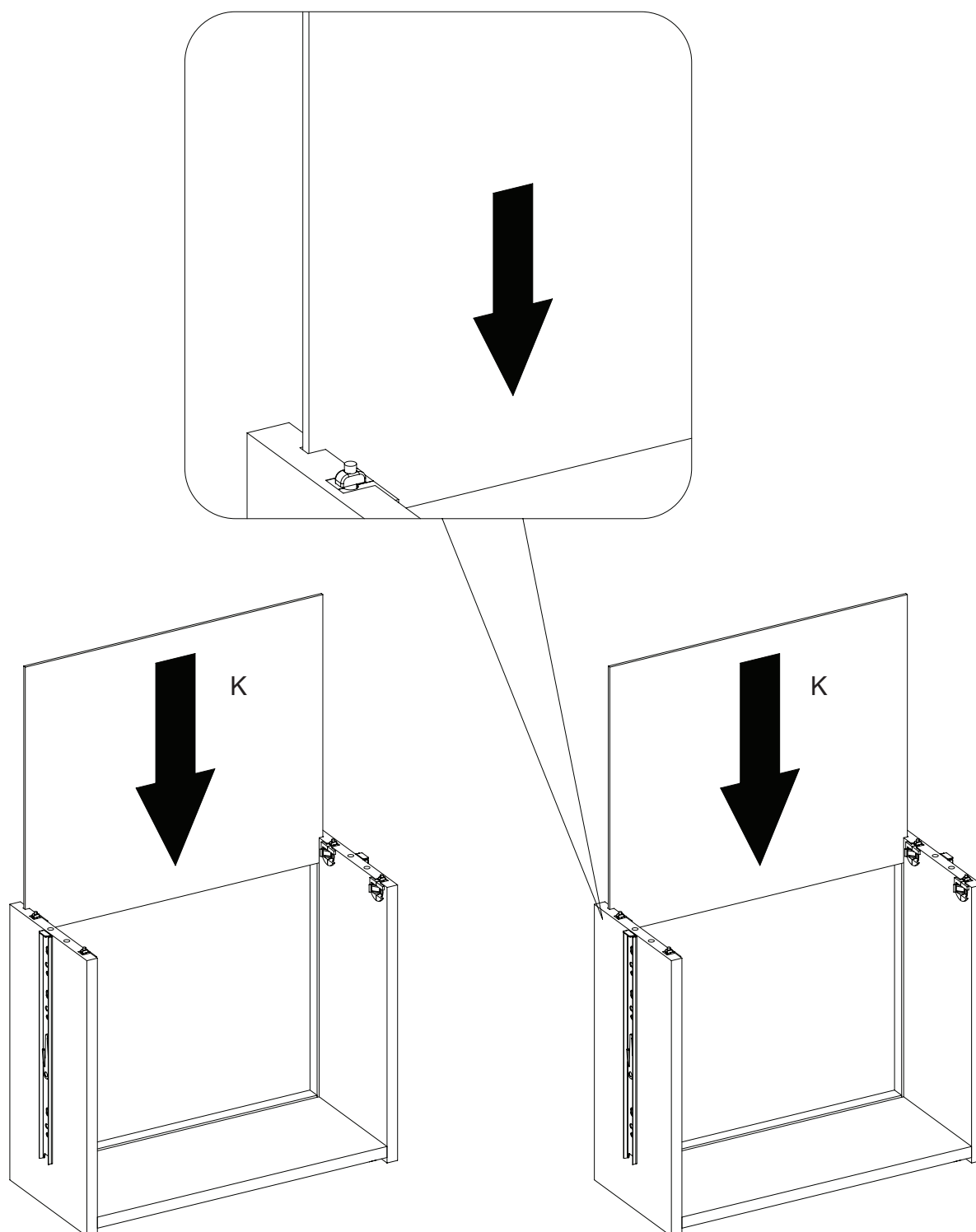
Insert the wood dowels (II) into the back panel (I). Following the directions of the arrows below, push the tabs up before attaching the side panels to the back panel (I). Once the panels are in place, push the tabs back down.



[x8]

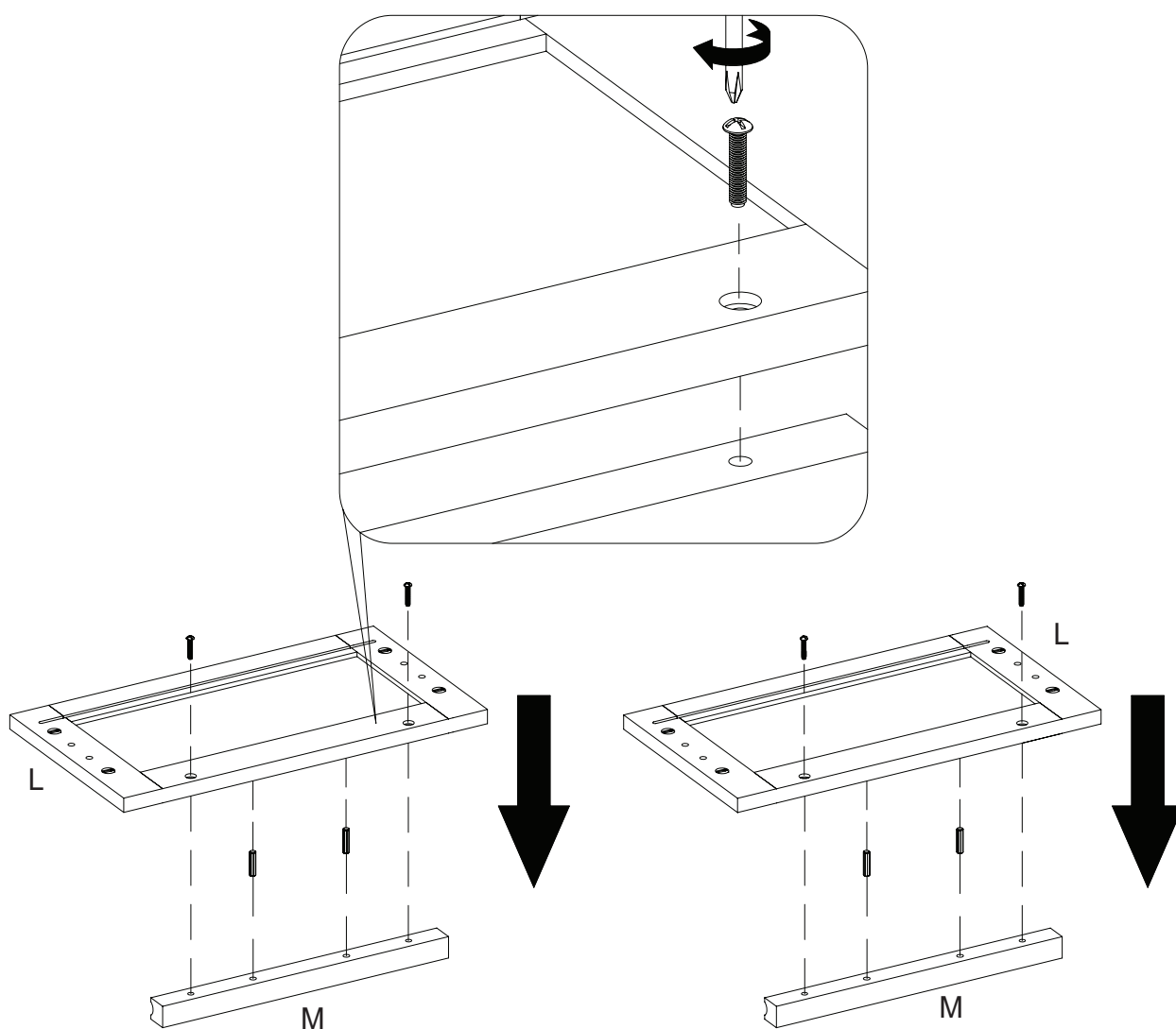
# Step 18

Slide the drawer bottom panel (K) down into place.



# Step 19

Insert the wood dowels (JJ) into the handle (M). Then, attach the drawer face panel (L) to the handle (M) and secure using the bolts (KK).



JJ



[x4]

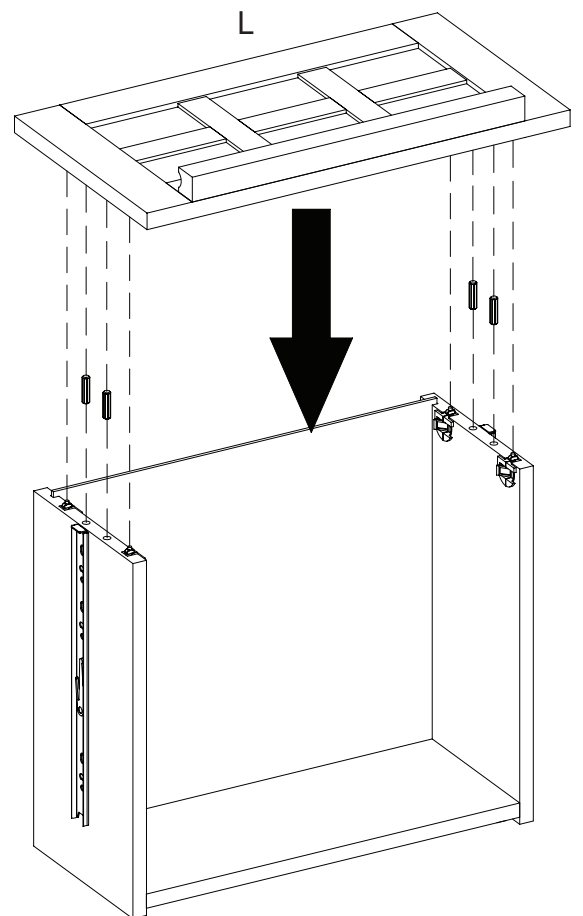
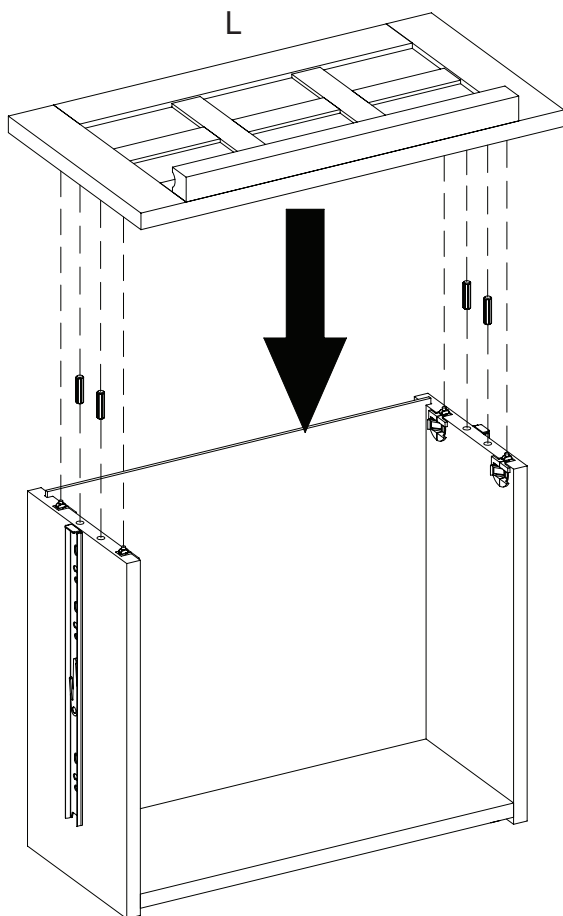
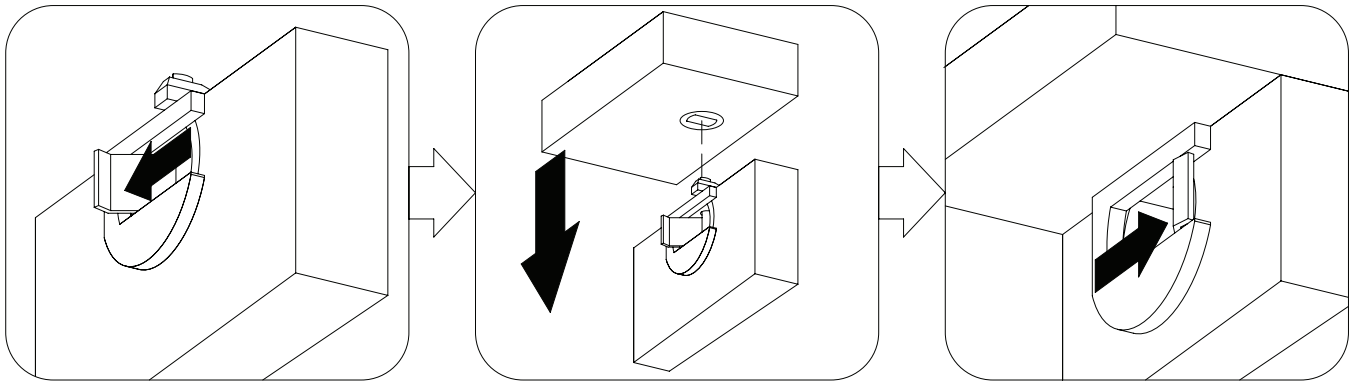
KK



[x4]

# Step 20

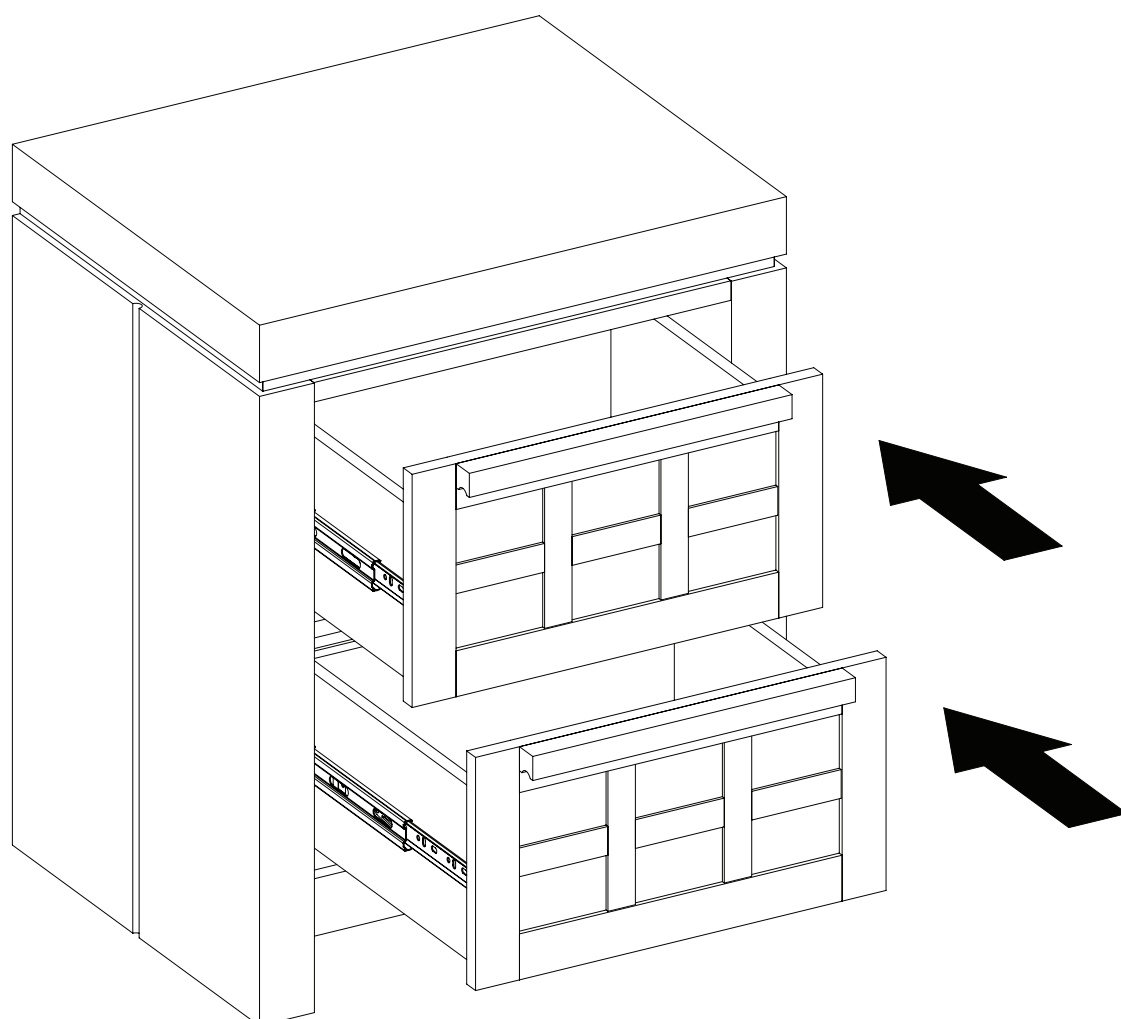
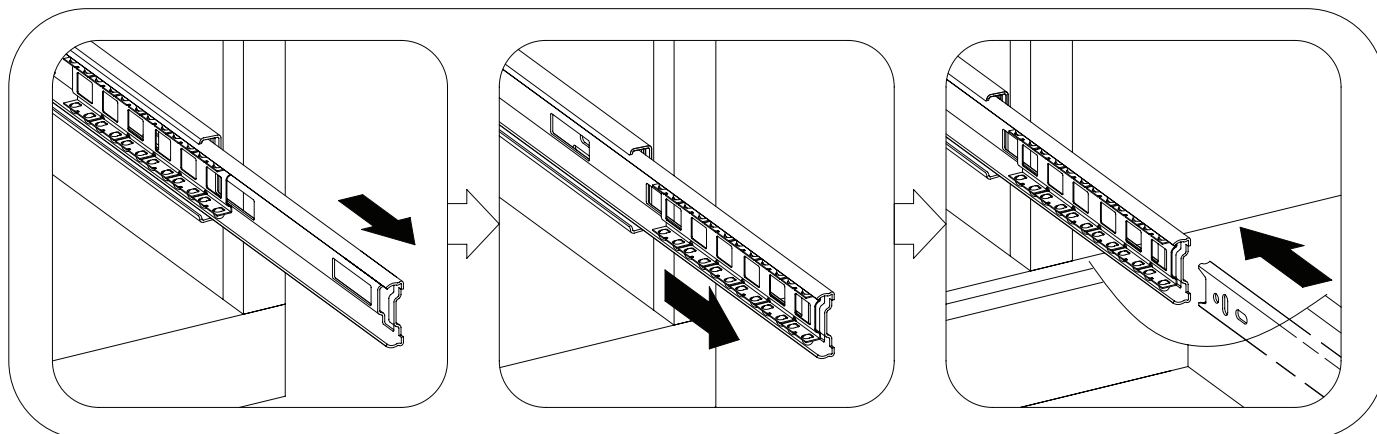
Insert the wood dowels (II) into the assembled drawer. Then, following the direction of the arrows below, push the tabs back before attaching the drawer face panel to the drawers. Then push the tabs forward to secure them in place.



[x8]

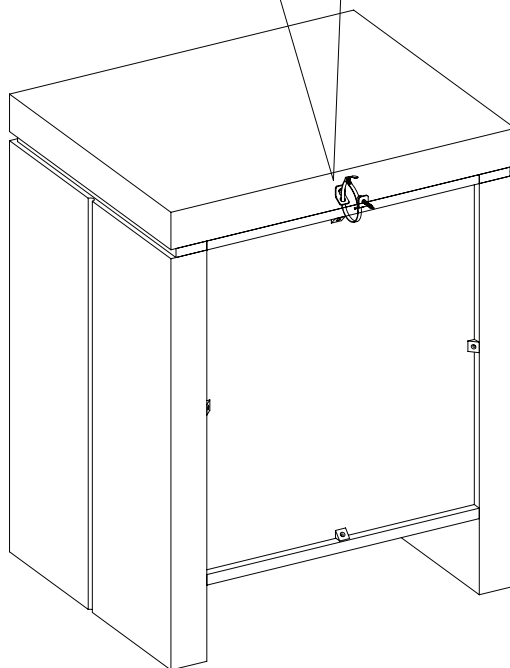
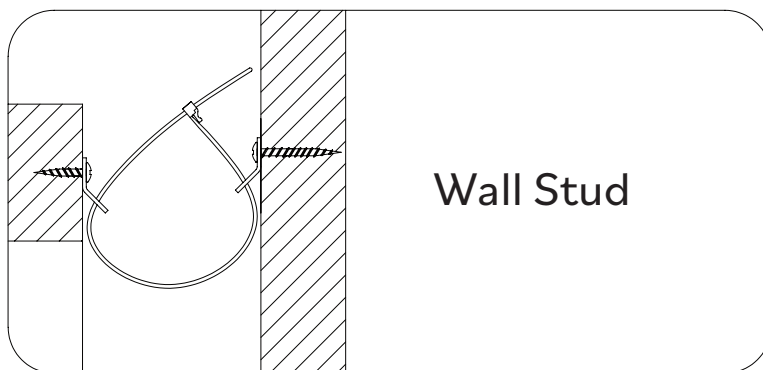
# Step 21

Now, align the slider brackets to the slider arms and glide the drawers closed.



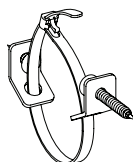
## Step 22

Attach the tip-restraint hardware (LL) to the back before securing it to the wall, as shown below.



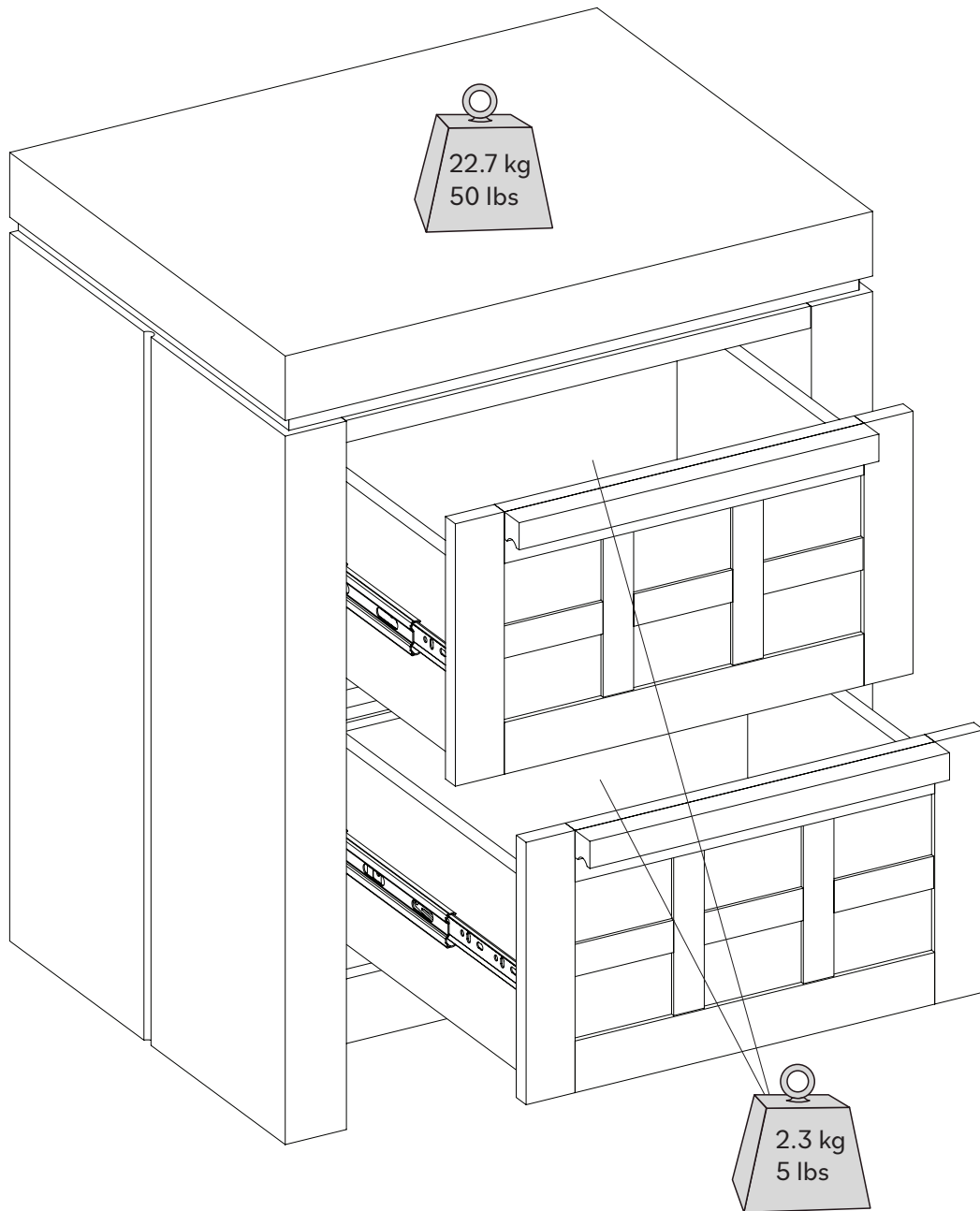
**Warning:** You must install the tip restraint hardware to help prevent any accidents or damage to the unit. We strongly recommend attaching the tip restraint hardware to a wall stud and your unit. For all other wall types, please visit your local hardware store to obtain the proper hardware.

LL



[x1]

# Final Assembly



**Congratulations on your new piece of furniture!**

We would love to hear about it and see it.  
Please leave us a review or post a picture with  
**#mywalkerredisonhome**

# Assembling furniture can be tricky sometimes.

Our customer service team, located in Utah, is here for product information, help assembling a product, or for any other customer support issue

Call us at **801-433-3008**

Email us at **[service@walkeredison.com](mailto:service@walkeredison.com)**

We are available to help Monday -Thursday 8am-5pm, Friday 8am-3pm MST



**Scan to sign up for your warranty**