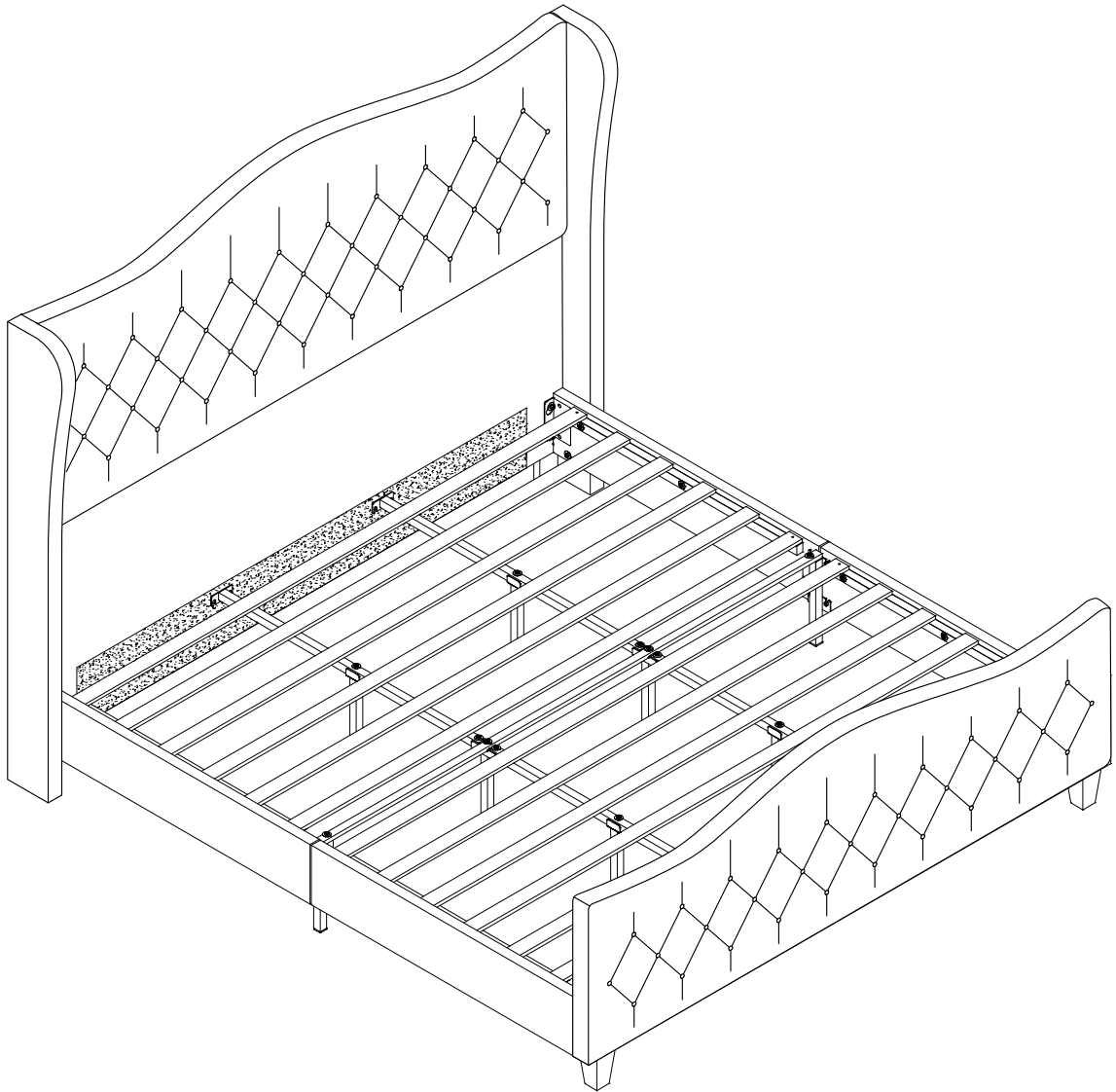


User's Manual

Bed Frame



King Size

KLV-UP-186 / KLV-UP-243 V1.0

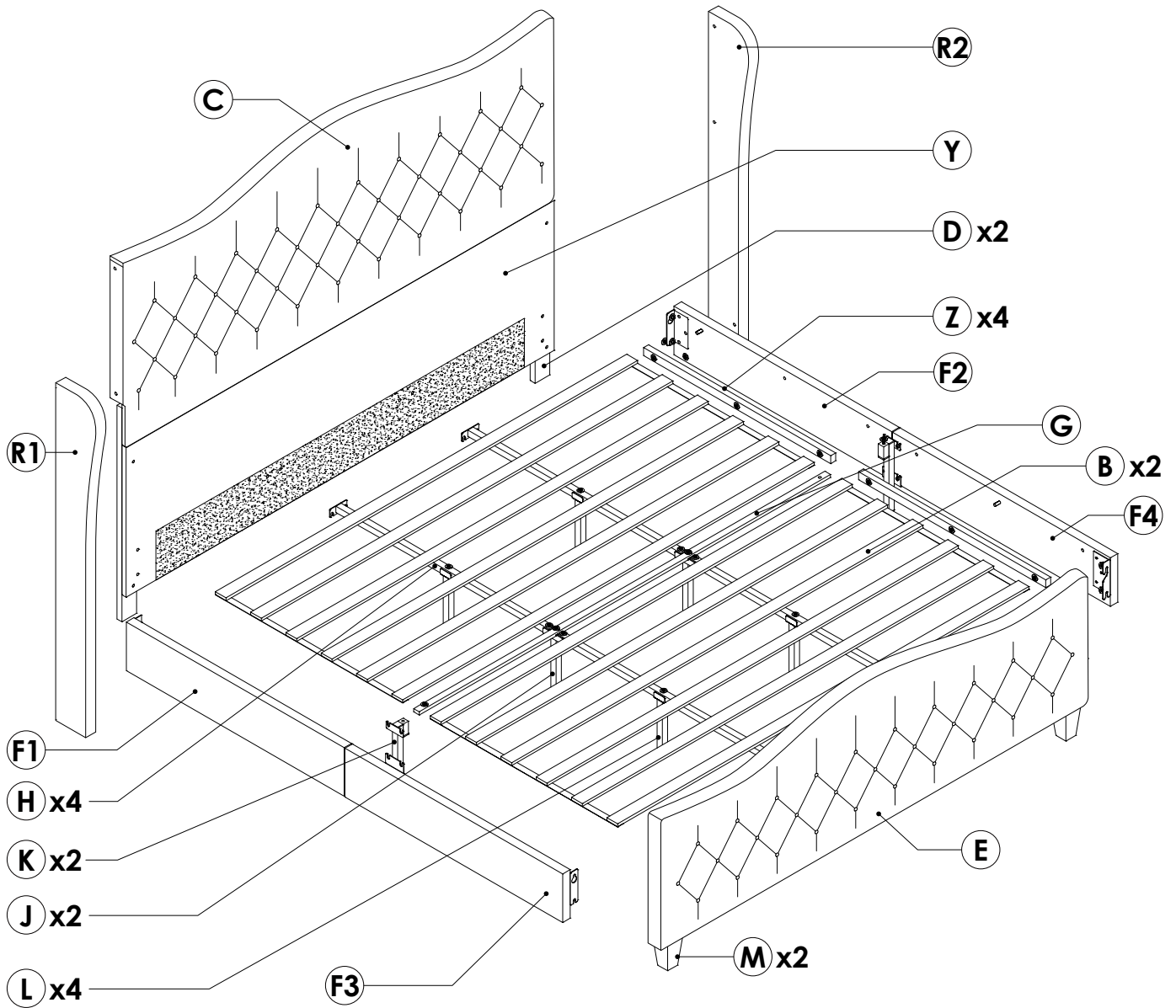
EN | ES

Contact us first if you have any problems, we would do better than Amazon's official service. Replacement for missing or damaged parts will be shipped ASAP!

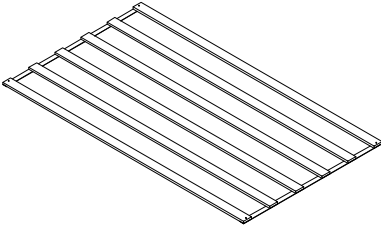
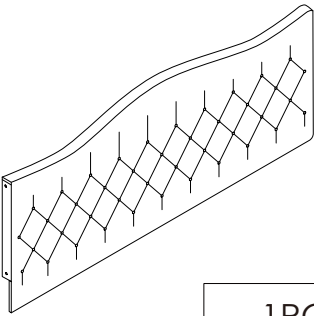

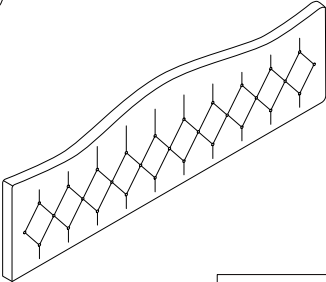
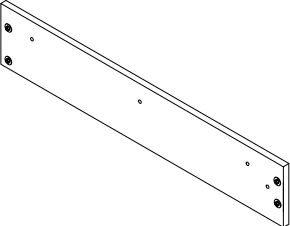
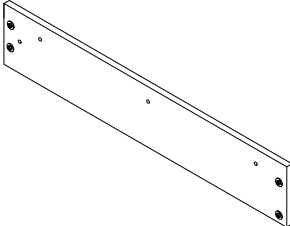
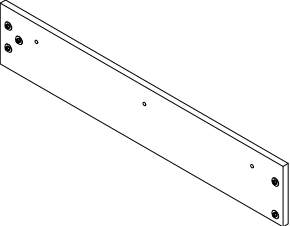
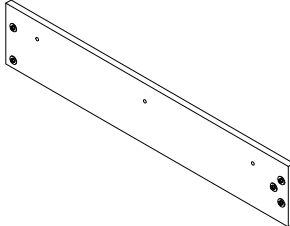
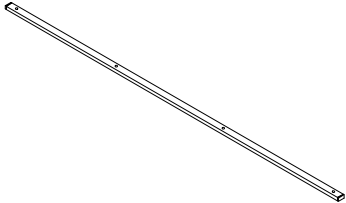
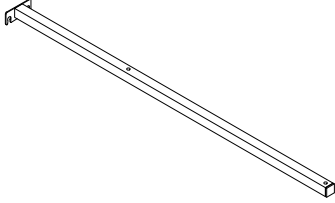


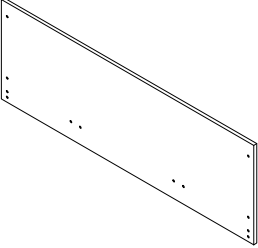
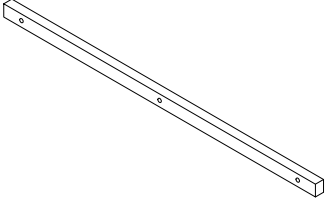
EN | ES

Si tiene algún problema con su producto o pedido, póngase en contacto con nosotros antes de consultar con el servicio de atención al cliente de Amazon, le resolveremos su problema con mayor brevedad. ¡Reemplazamos piezas perdidas o dañadas enviándolas rápidamente

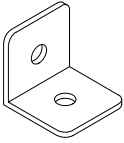
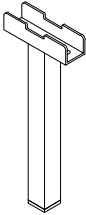
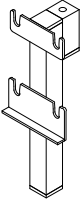
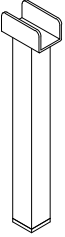
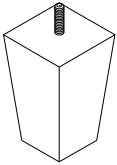
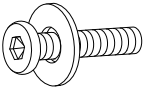

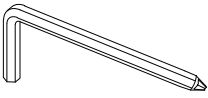
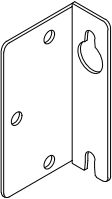
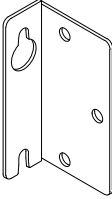
Assembly Instruction of (Bed)



Assembly Instruction

B  <div style="text-align: right; border: 1px solid black; padding: 2px;">2PCS</div>	C  <div style="text-align: right; border: 1px solid black; padding: 2px;">1PC</div>	D  <div style="text-align: right; border: 1px solid black; padding: 2px;">2PCS</div>
E  <div style="text-align: right; border: 1px solid black; padding: 2px;">1PC</div>	F1  <div style="text-align: right; border: 1px solid black; padding: 2px;">1PC</div>	F2  <div style="text-align: right; border: 1px solid black; padding: 2px;">1PC</div>
F3  <div style="text-align: right; border: 1px solid black; padding: 2px;">1PC</div>	F4  <div style="text-align: right; border: 1px solid black; padding: 2px;">1PC</div>	G  <div style="text-align: right; border: 1px solid black; padding: 2px;">1PC</div>
H  <div style="text-align: right; border: 1px solid black; padding: 2px;">4PCS</div>	R1  <div style="text-align: right; border: 1px solid black; padding: 2px;">1PC</div>	R2  <div style="text-align: right; border: 1px solid black; padding: 2px;">1PC</div>
Y  <div style="text-align: right; border: 1px solid black; padding: 2px;">1PC</div>	Z  <div style="text-align: right; border: 1px solid black; padding: 2px;">4PCS</div>	

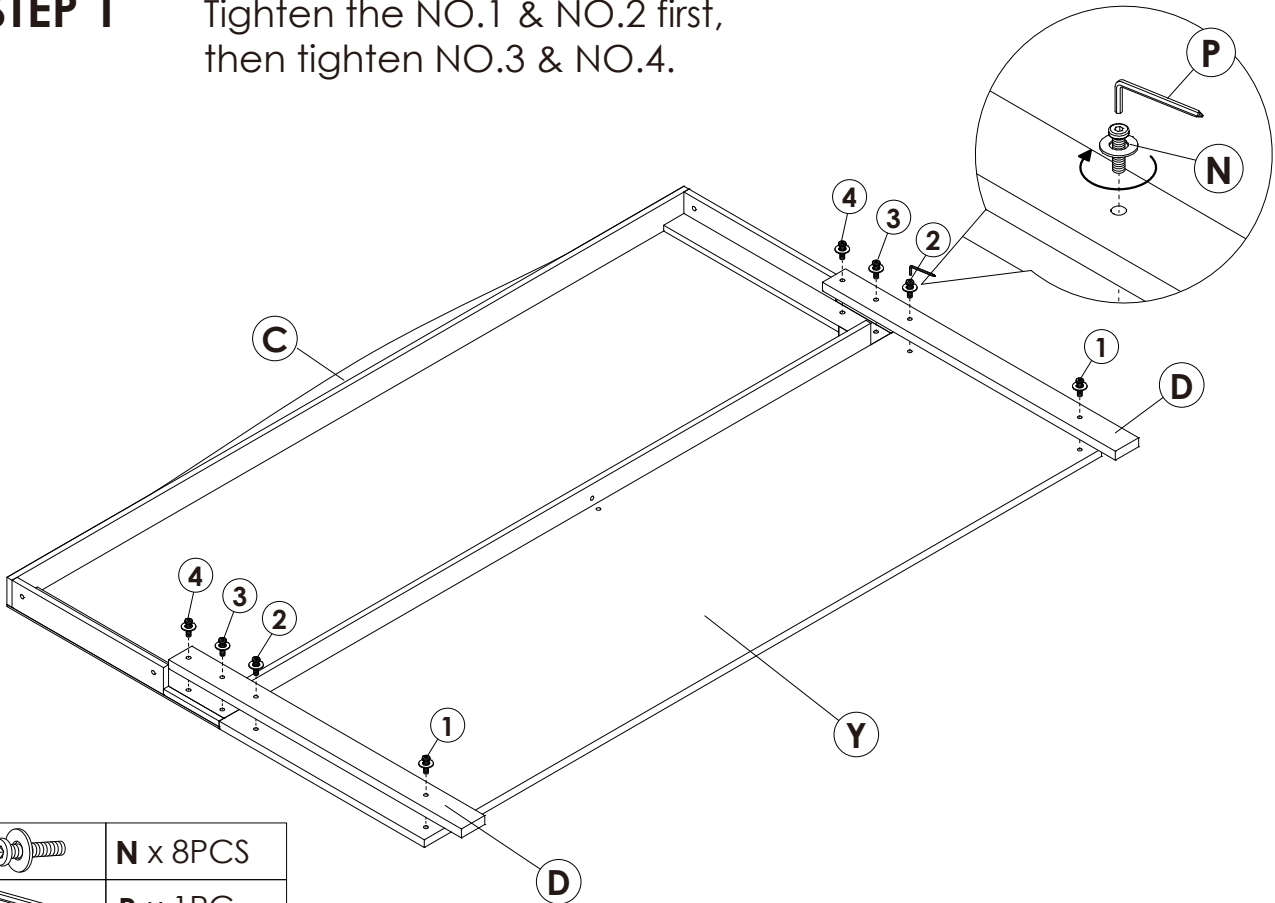
Assembly Instruction

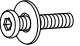

<p>I</p>  <p>1PC</p>	<p>J</p>  <p>2PCS</p>	<p>K</p>  <p>2PCS</p>
<p>L</p>  <p>4PCS</p>	<p>M</p>  <p>2PCS</p>	<p>N</p>  <p>38+1PCS</p>
<p>O</p>  <p>8+1PCS</p>	<p>P</p>  <p>1PC</p>	<p>W</p>  <p>2PCS</p>
<p>X</p>  <p>2PCS</p>		

Assembly Instruction of (Bed)

STEP 1

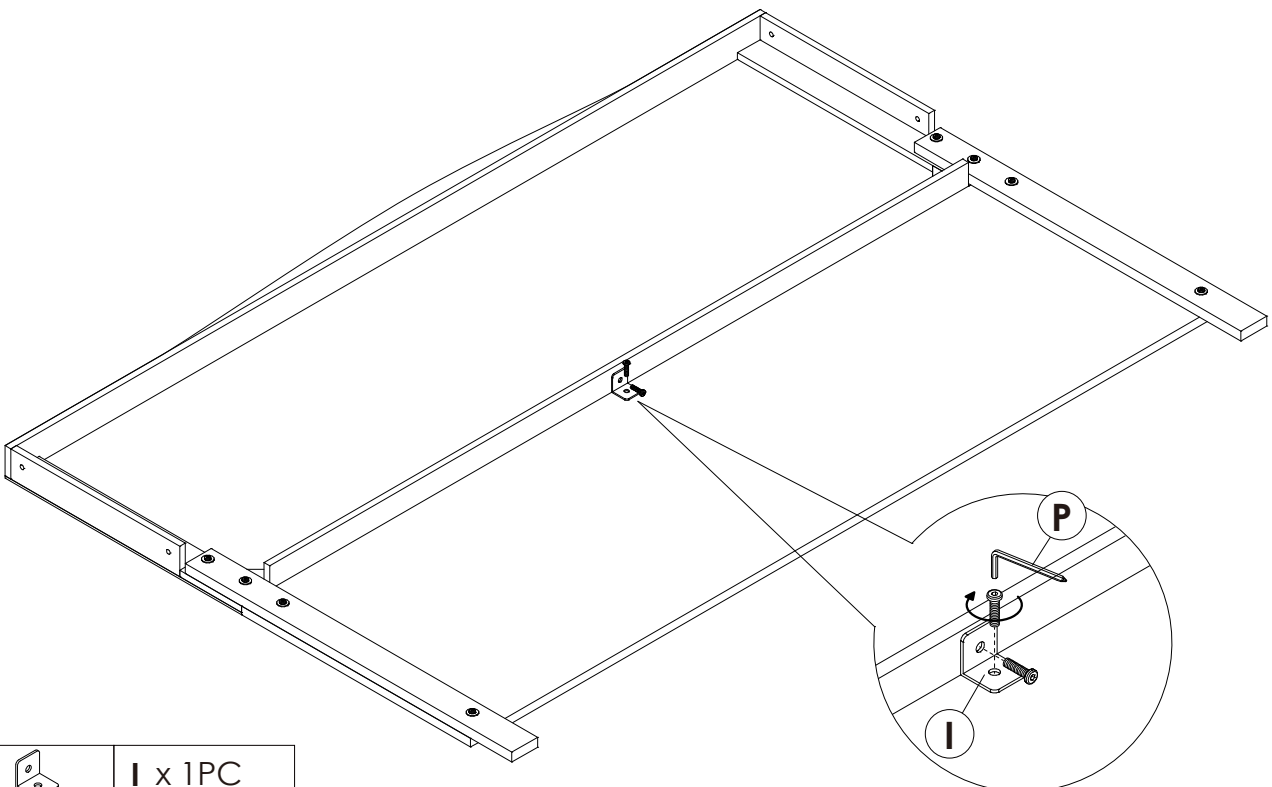
Tighten the NO.1 & NO.2 first,
then tighten NO.3 & NO.4.





	N x 8PCS
	P x 1PC

STEP 2

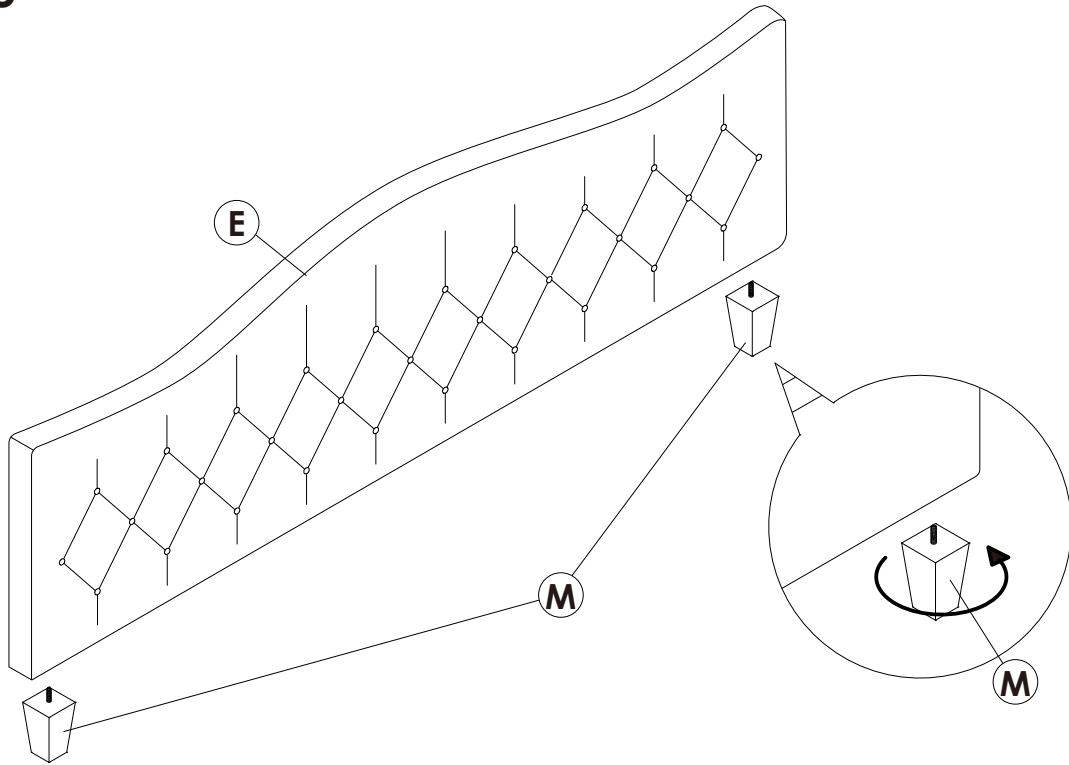
L Shape connector Iron plate



	I x 1PC
	P x 1PC

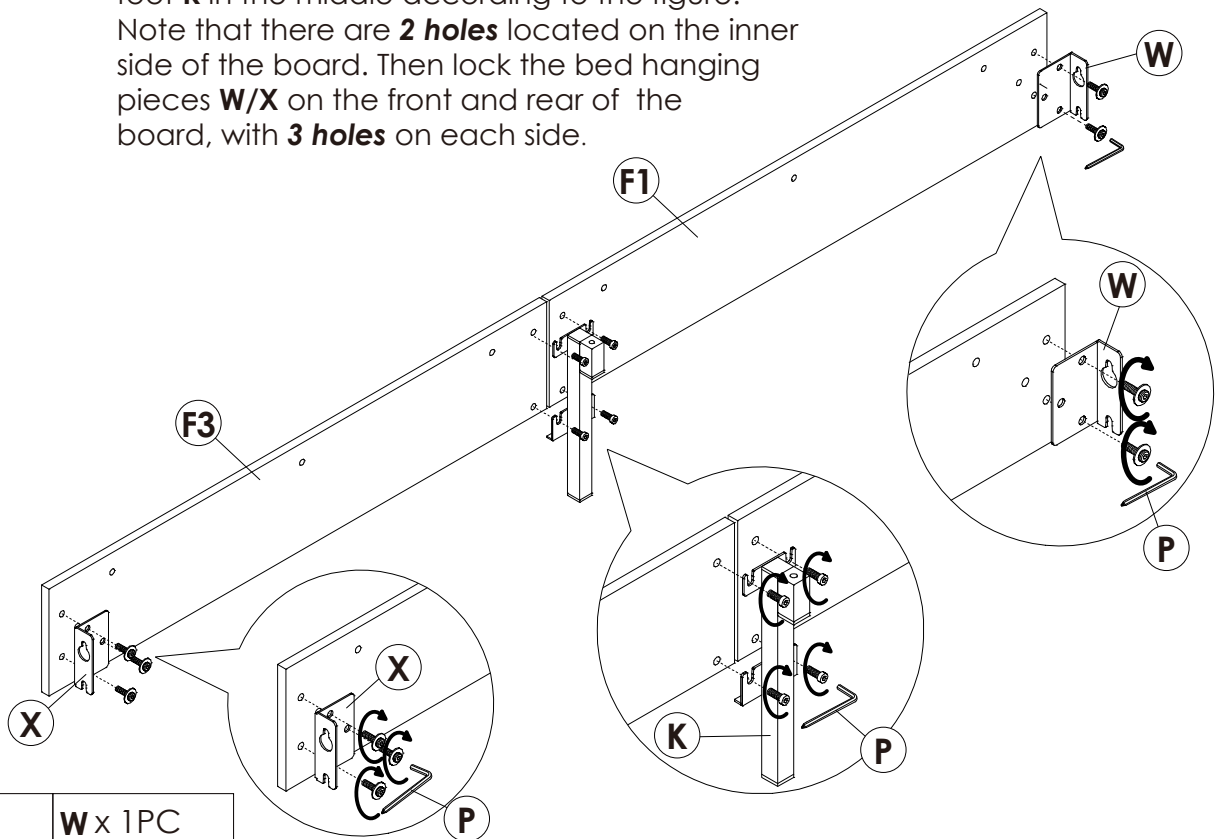
Assembly Instruction of (Bed)

STEP 3



STEP 4

Take out parts **F1** and **F3**, and lock the iron frame foot **K** in the middle according to the figure. Note that there are **2 holes** located on the inner side of the board. Then lock the bed hanging pieces **W/X** on the front and rear of the board, with **3 holes** on each side.

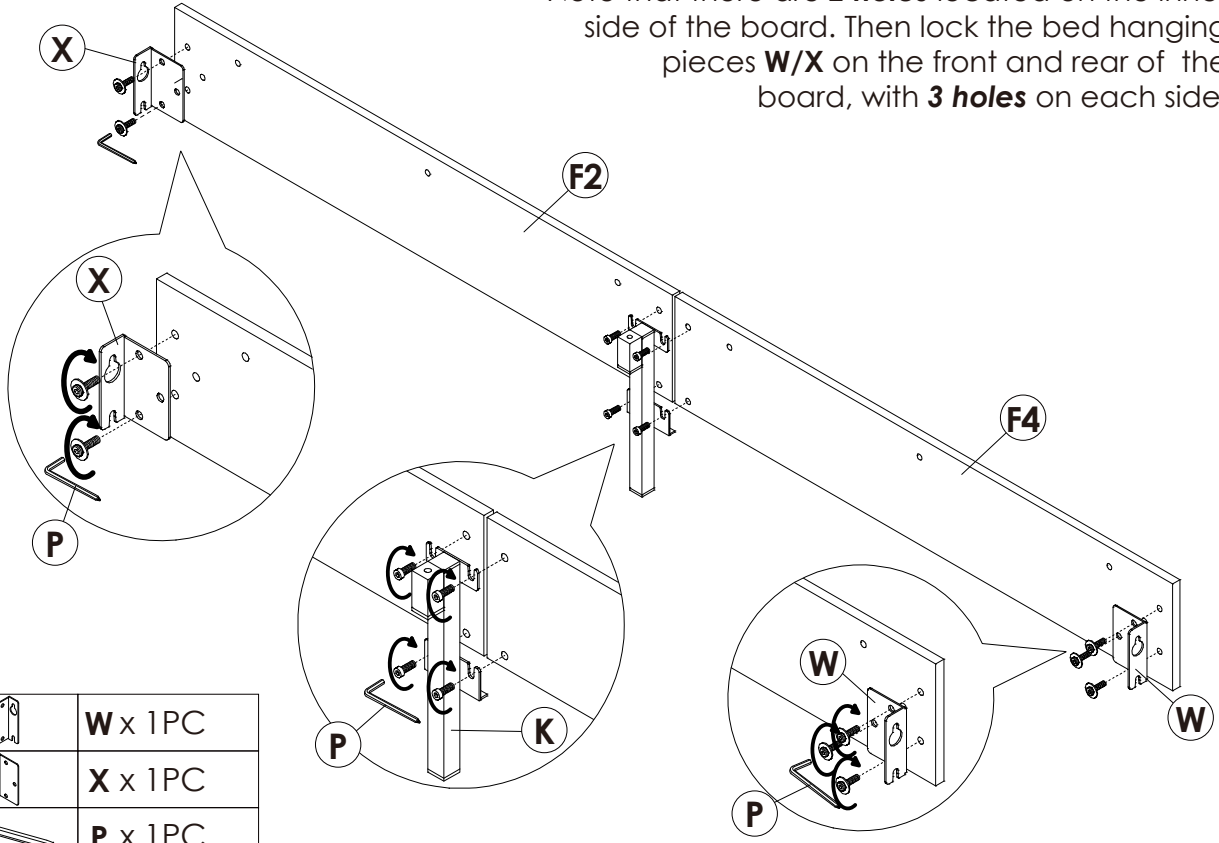





	W x 1PC
	X x 1PC
	P x 1PC

Assembly Instruction of (Bed)

STEP 5

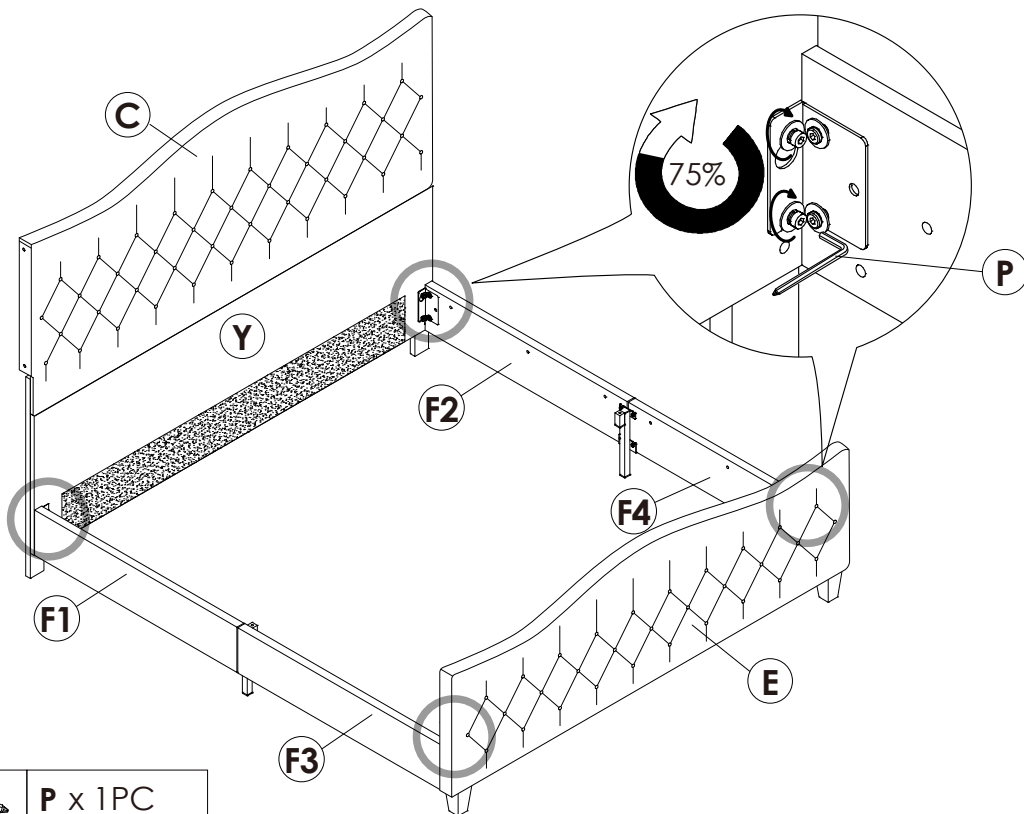
Take out parts **F2** and **F4**, and lock the iron frame foot **K** in the middle according to the figure. Note that there are **2 holes** located on the inner side of the board. Then lock the bed hanging pieces **W/X** on the front and rear of the board, with **3 holes** on each side.



	W x 1PC
	X x 1PC
	P x 1PC

STEP 6

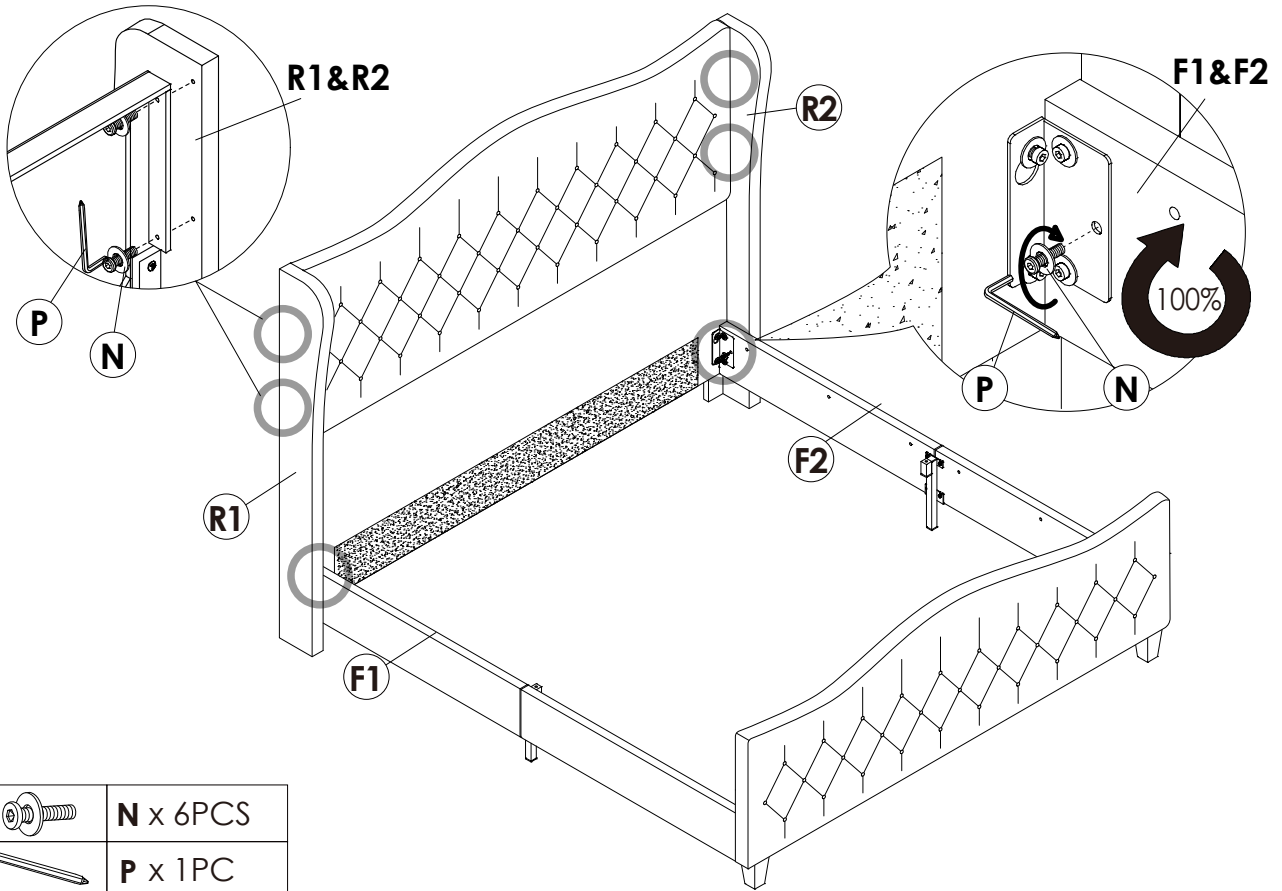
Loosen the screws on both sides of the headboard and both sides of the footboard, please refer to the picture below to connect the parts. When retightening the screws, please do not tighten them too much to leave some clearance for the next step.



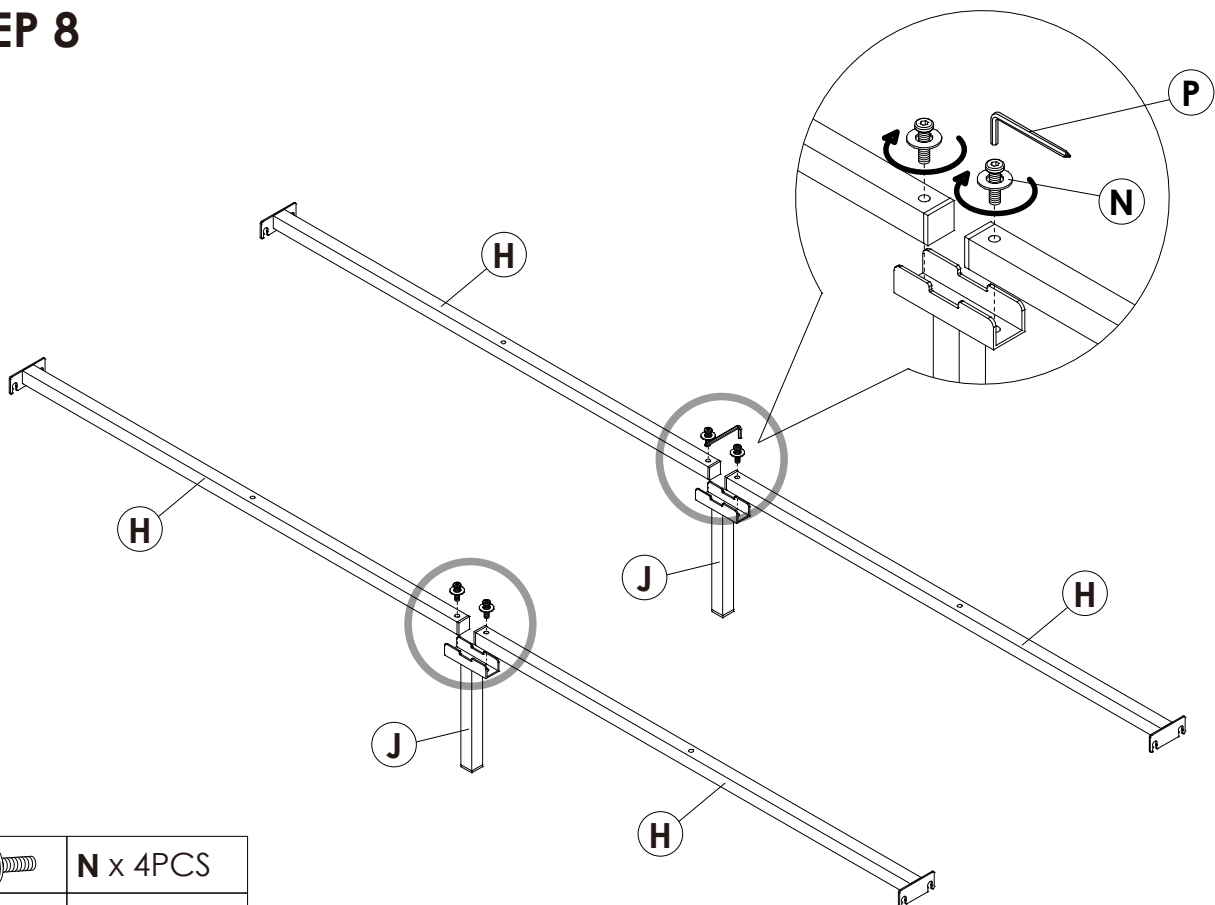
	P x 1PC
---	---------

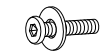

Assembly Instruction of (Bed)

STEP 7 Tight all the innerscrew after all holes are aligned.



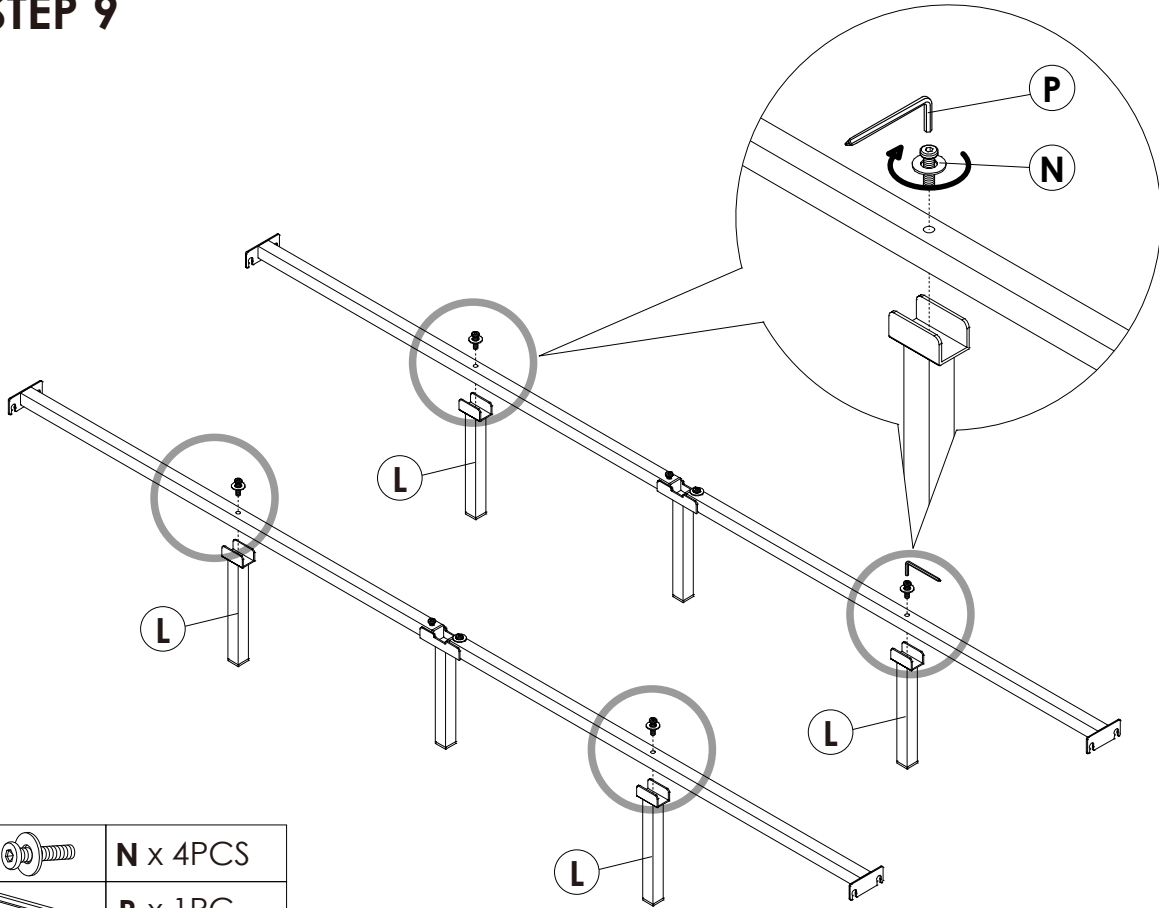
STEP 8

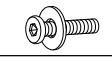



	N x 4PCS
	P x 1PC

Assembly Instruction of (Bed)

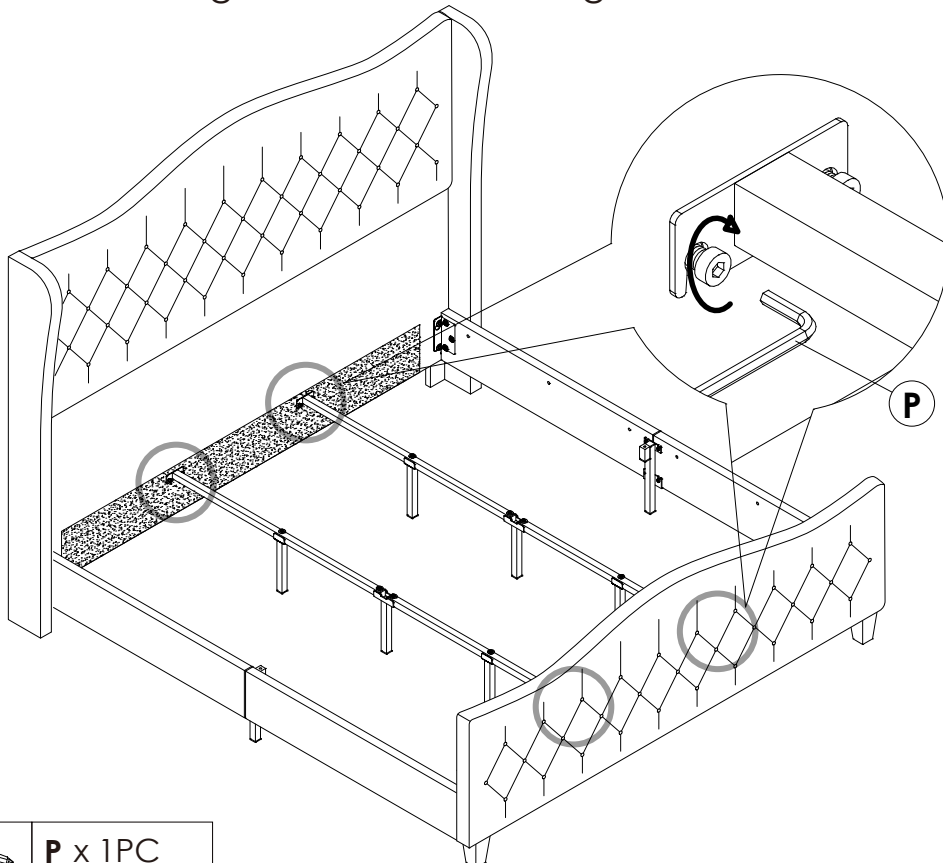
STEP 9



	N x 4PCS
	P x 1PC

STEP 10

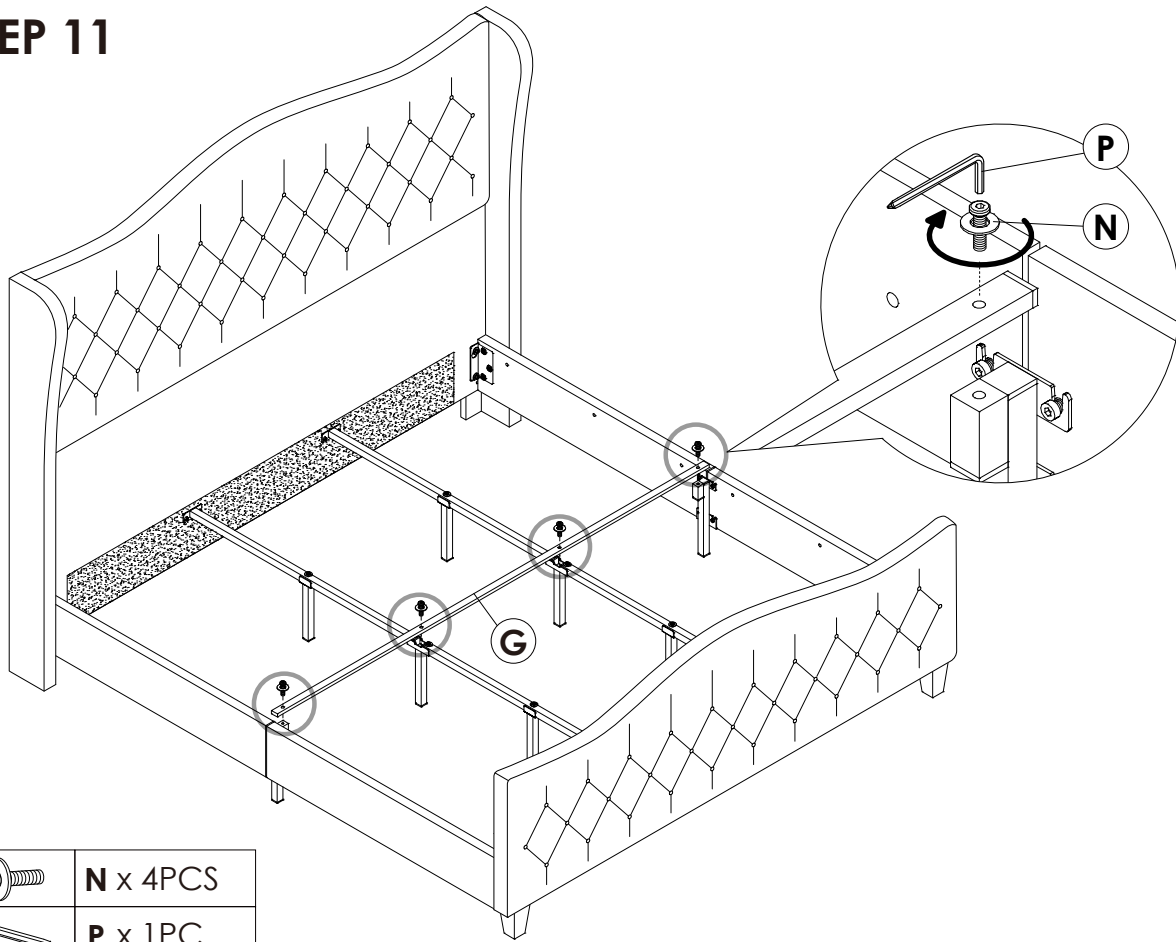
Loosen the screws in the middle of the footboard, hang the bracket, and tighten the innerscrews.

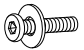



	P x 1PC
---	----------------

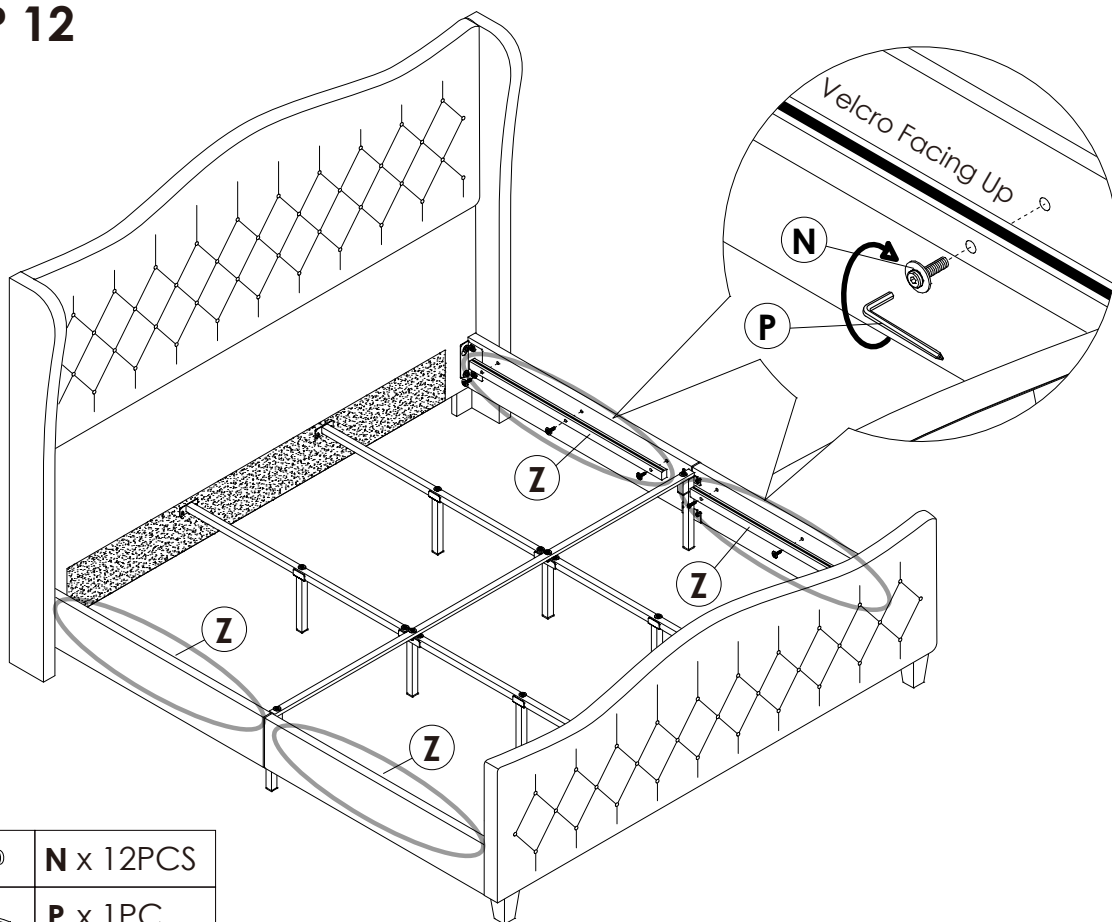
Assembly Instruction of (Bed)

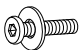

STEP 11



	N x 4PCS
	P x 1PC

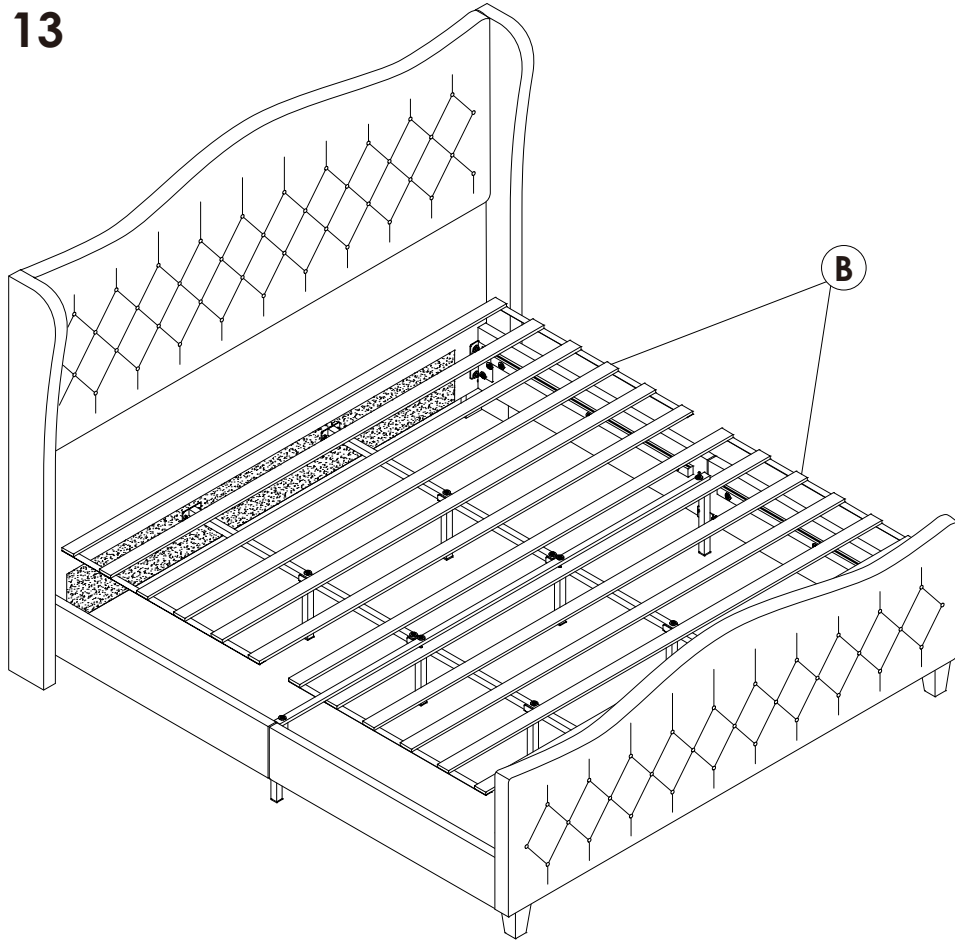
STEP 12



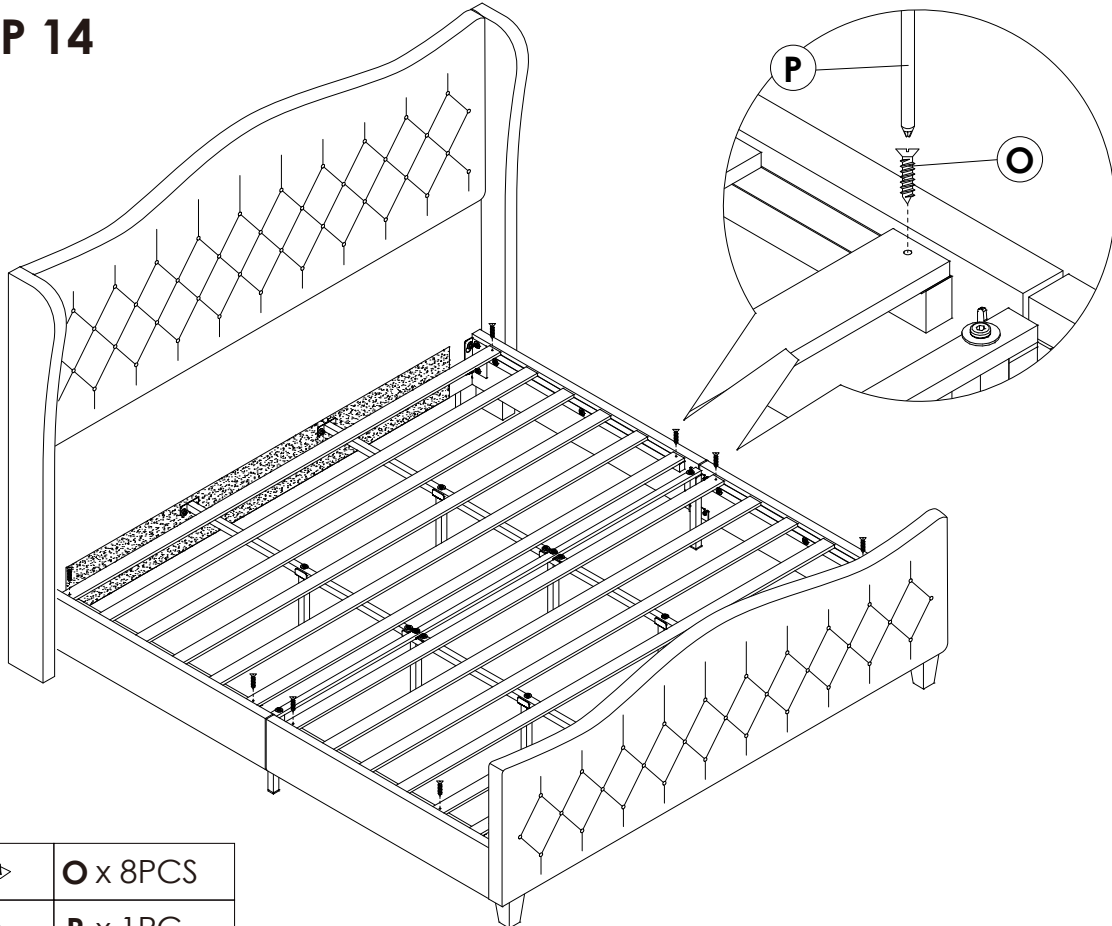
	N x 12PCS
	P x 1PC



Assembly Instruction of (Bed)

STEP 13



STEP 14



	O x 8PCS
	P x 1PC