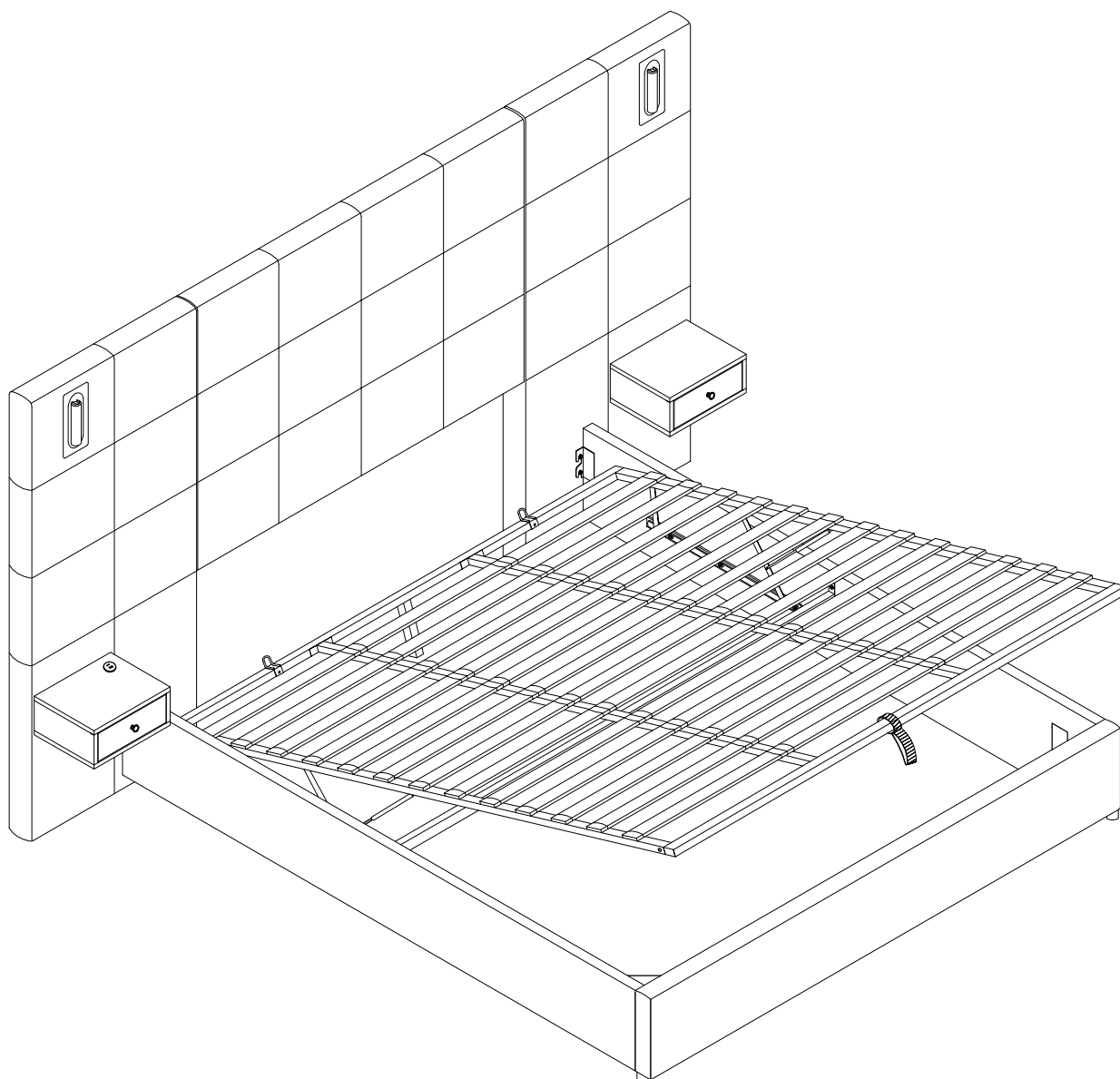
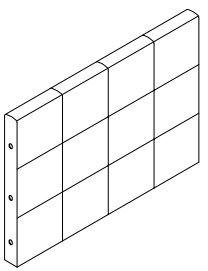
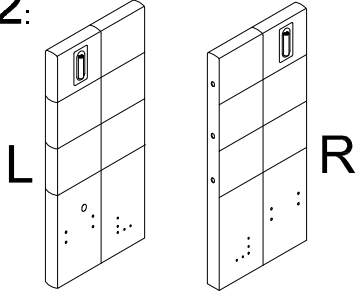
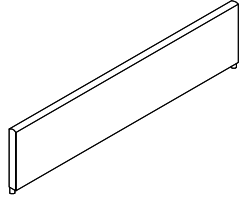
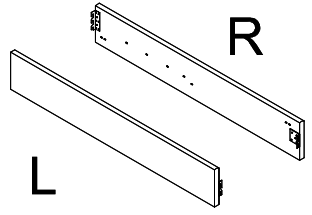
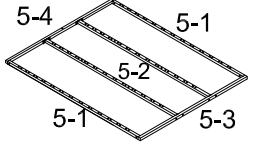

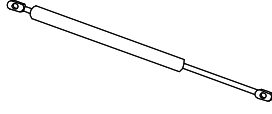
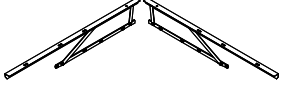
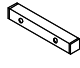
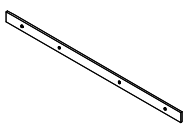
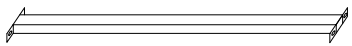
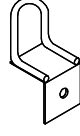
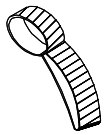


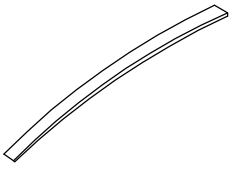

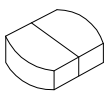
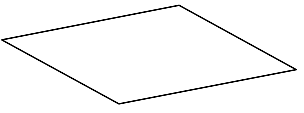
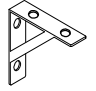
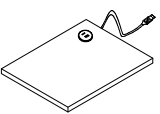
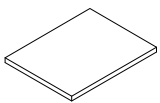
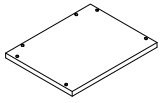
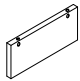


ASSEMBLY DIAGRAM

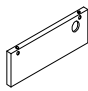
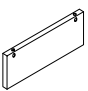
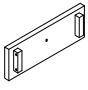
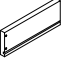
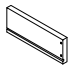
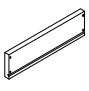
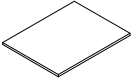
263



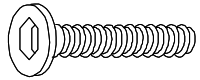
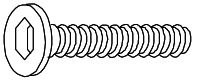

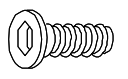
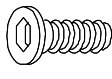
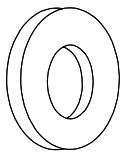
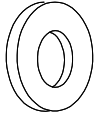
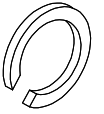
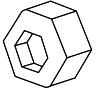

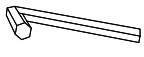
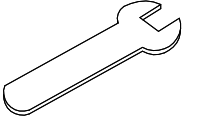
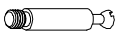



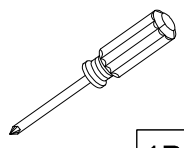


Parts List

<p>1:</p>  <p style="text-align: center; border: 1px solid black; padding: 2px;">1PC</p>	<p>2:</p>  <p style="text-align: center; border: 1px solid black; padding: 2px;">2PCS</p>	<p>3:</p>  <p style="text-align: center; border: 1px solid black; padding: 2px;">1PC</p>	<p>4:</p>  <p style="text-align: center; border: 1px solid black; padding: 2px;">2PCS</p>
<p>5:</p>  <p style="text-align: center; border: 1px solid black; padding: 2px;">1SET</p>	<p>6:</p>  <p style="text-align: center; border: 1px solid black; padding: 2px;">4PCS</p>	<p>7:</p>  <p style="text-align: center; border: 1px solid black; padding: 2px;">2PCS</p>	<p>8:</p>  <p style="text-align: center; border: 1px solid black; padding: 2px;">2PCS</p>
<p>9:</p>  <p style="text-align: center; border: 1px solid black; padding: 2px;">1PC</p>	<p>10:</p>  <p style="text-align: center; border: 1px solid black; padding: 2px;">2PCS</p>	<p>11:</p>  <p style="text-align: center; border: 1px solid black; padding: 2px;">1PC</p>	<p>12:</p>  <p style="text-align: center; border: 1px solid black; padding: 2px;">2PCS</p>
<p>13:</p>  <p style="text-align: center; border: 1px solid black; padding: 2px;">1PC</p>	<p>14:</p>  <p style="text-align: center; border: 1px solid black; padding: 2px;">2PCS</p>	<p>15:</p>  <p style="text-align: center; border: 1px solid black; padding: 2px;">1PC</p>	<p>16:</p>  <p style="text-align: center; border: 1px solid black; padding: 2px;">39PCS</p>
<p>17:</p>  <p style="text-align: center; border: 1px solid black; padding: 2px;">26PCS</p>	<p>18:</p>  <p style="text-align: center; border: 1px solid black; padding: 2px;">26PCS</p>	<p>19:</p>  <p style="text-align: center; border: 1px solid black; padding: 2px;">1PC</p>	<p>20:</p>  <p style="text-align: center; border: 1px solid black; padding: 2px;">4PCS</p>
<p>21:</p>  <p style="text-align: center; border: 1px solid black; padding: 2px;">1PC</p>	<p>22:</p>  <p style="text-align: center; border: 1px solid black; padding: 2px;">1PC</p>	<p>23:</p>  <p style="text-align: center; border: 1px solid black; padding: 2px;">2PCS</p>	<p>24:</p>  <p style="text-align: center; border: 1px solid black; padding: 2px;">4PCS</p>

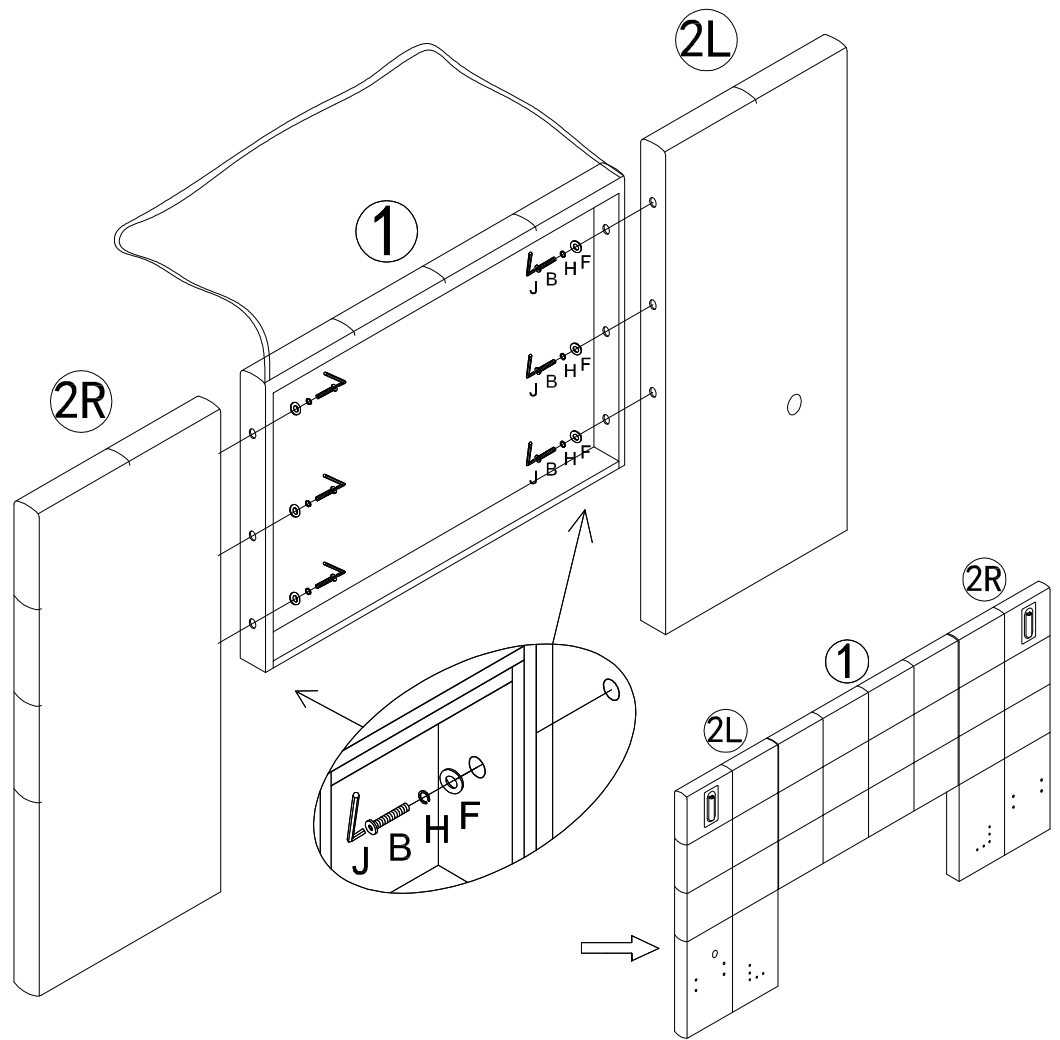
Parts List





<p>25:</p>  <div style="text-align: right; border: 1px solid black; padding: 2px; width: fit-content; margin-left: auto;">1PC</div>	<p>26:</p>  <div style="text-align: right; border: 1px solid black; padding: 2px; width: fit-content; margin-left: auto;">1PC</div>	<p>27:</p>  <div style="text-align: right; border: 1px solid black; padding: 2px; width: fit-content; margin-left: auto;">2PCS</div>	<p>28:</p>  <div style="text-align: right; border: 1px solid black; padding: 2px; width: fit-content; margin-left: auto;">2PCS</div>
<p>29:</p>  <div style="text-align: right; border: 1px solid black; padding: 2px; width: fit-content; margin-left: auto;">2PCS</div>	<p>30:</p>  <div style="text-align: right; border: 1px solid black; padding: 2px; width: fit-content; margin-left: auto;">2PCS</div>	<p>31:</p>  <div style="text-align: right; border: 1px solid black; padding: 2px; width: fit-content; margin-left: auto;">2PCS</div>	

Hardware List

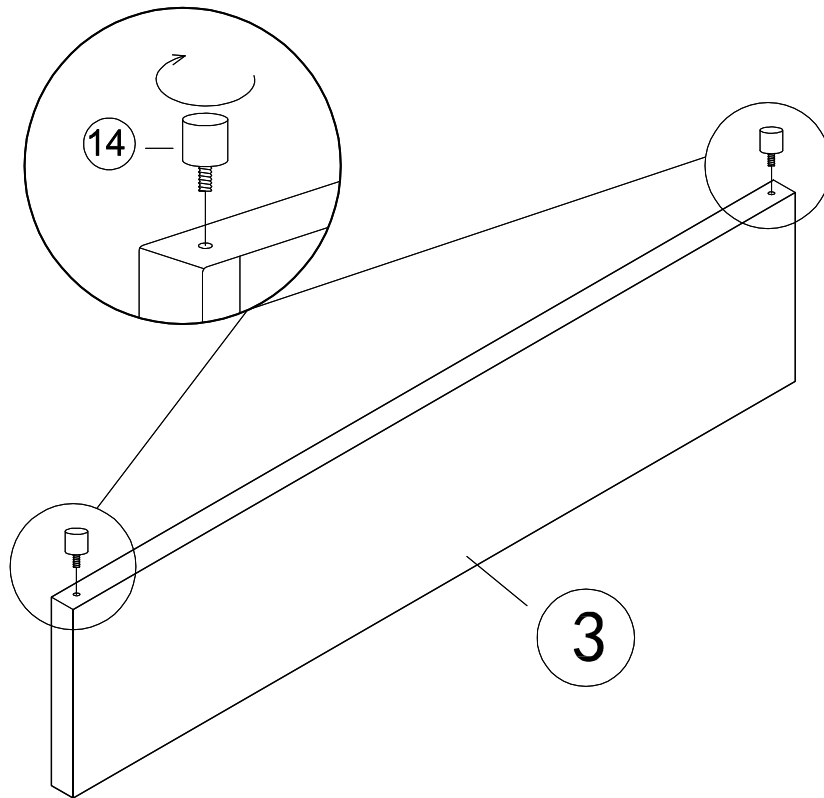
<p>A:</p>  <div style="display: flex; justify-content: space-between; margin-top: 5px;"> M8*35mm <div style="border: 1px solid black; padding: 2px;">10PCS</div> </div>	<p>B:</p>  <div style="display: flex; justify-content: space-between; margin-top: 5px;"> M8*50mm <div style="border: 1px solid black; padding: 2px;">27PCS</div> </div>	<p>C:</p>  <div style="display: flex; justify-content: space-between; margin-top: 5px;"> M6*40mm <div style="border: 1px solid black; padding: 2px;">8PCS</div> </div>	<p>D:</p>  <div style="display: flex; justify-content: space-between; margin-top: 5px;"> M6*20mm <div style="border: 1px solid black; padding: 2px;">28PCS</div> </div>
<p>E:</p>  <div style="display: flex; justify-content: space-between; margin-top: 5px;"> M6*15mm <div style="border: 1px solid black; padding: 2px;">8PCS</div> </div>	<p>F:</p>  <div style="display: flex; justify-content: space-between; margin-top: 5px;"> M8*19mm <div style="border: 1px solid black; padding: 2px;">37+1PCS</div> </div>	<p>G:</p>  <div style="display: flex; justify-content: space-between; margin-top: 5px;"> M6*16mm <div style="border: 1px solid black; padding: 2px;">44+1PCS</div> </div>	<p>H:</p>  <div style="display: flex; justify-content: space-between; margin-top: 5px;"> M8*13mm <div style="border: 1px solid black; padding: 2px;">37+1PCS</div> </div>
<p>I:</p>  <div style="display: flex; justify-content: space-between; margin-top: 5px;"> M8*14 <div style="border: 1px solid black; padding: 2px;">18+1PCS</div> </div>	<p>J:</p>  <div style="display: flex; justify-content: space-between; margin-top: 5px;"> M8 <div style="border: 1px solid black; padding: 2px;">1PC</div> </div>	<p>K:</p>  <div style="display: flex; justify-content: space-between; margin-top: 5px;"> M6 <div style="border: 1px solid black; padding: 2px;">1PC</div> </div>	<p>L:</p>  <div style="display: flex; justify-content: space-between; margin-top: 5px;"> M8 <div style="border: 1px solid black; padding: 2px;">1PC</div> </div>
<p>M:</p>  <div style="text-align: right; border: 1px solid black; padding: 2px; width: fit-content; margin-left: auto;">12PCS</div>	<p>N:</p>  <div style="text-align: right; border: 1px solid black; padding: 2px; width: fit-content; margin-left: auto;">12+1PCS</div>	<p>O:</p>  <div style="display: flex; justify-content: space-between; margin-top: 5px;"> 8*30mm <div style="border: 1px solid black; padding: 2px;">28PCS</div> </div>	<p>P:</p>  <div style="display: flex; justify-content: space-between; margin-top: 5px;"> M4*25 <div style="border: 1px solid black; padding: 2px;">2PCS</div> </div>
<p>Q:</p>  <div style="text-align: right; border: 1px solid black; padding: 2px; width: fit-content; margin-left: auto;">1PC</div>	<p>R:</p>  <div style="text-align: right; border: 1px solid black; padding: 2px; width: fit-content; margin-left: auto;">6PCS</div>	<p>S:</p>  <div style="text-align: right; border: 1px solid black; padding: 2px; width: fit-content; margin-left: auto;">2PCS</div>	

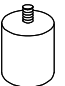
STEP 1



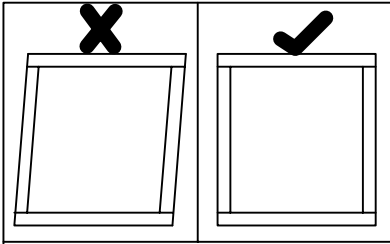
	B x 6PCS
	F x 6PCS
	H x 6PCS
	J x 1PC

STEP 2

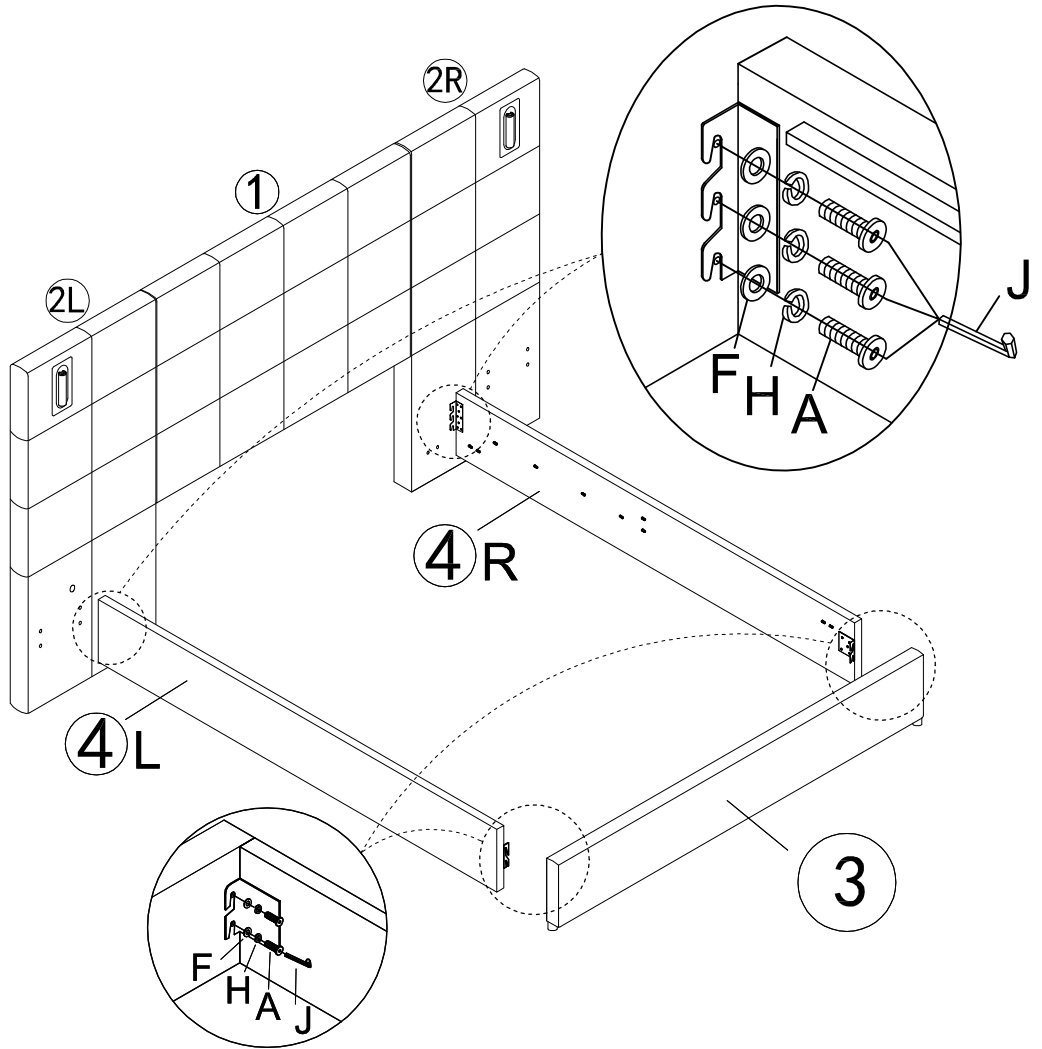


	14 x 2PCS
---	-----------

STEP 3

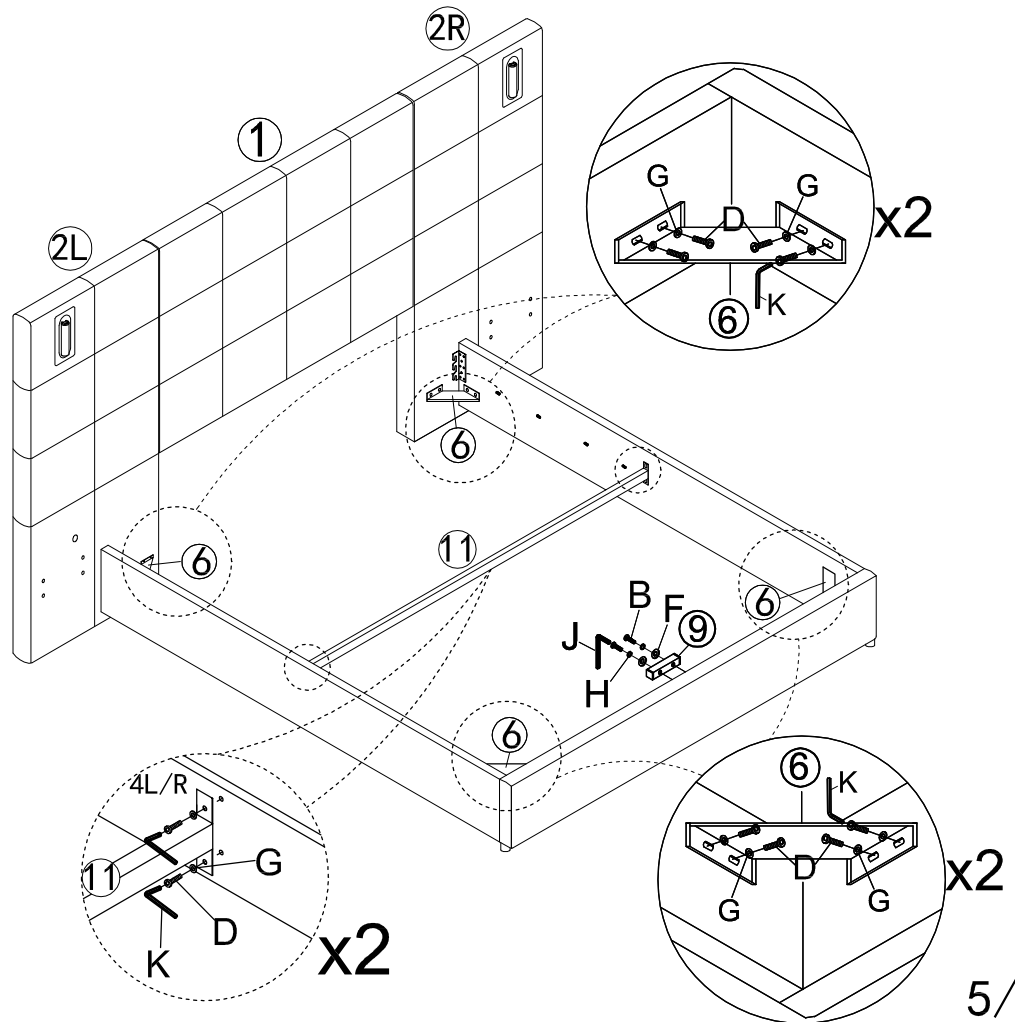


Note: Ensure that footboard, headboard and side rails are square.



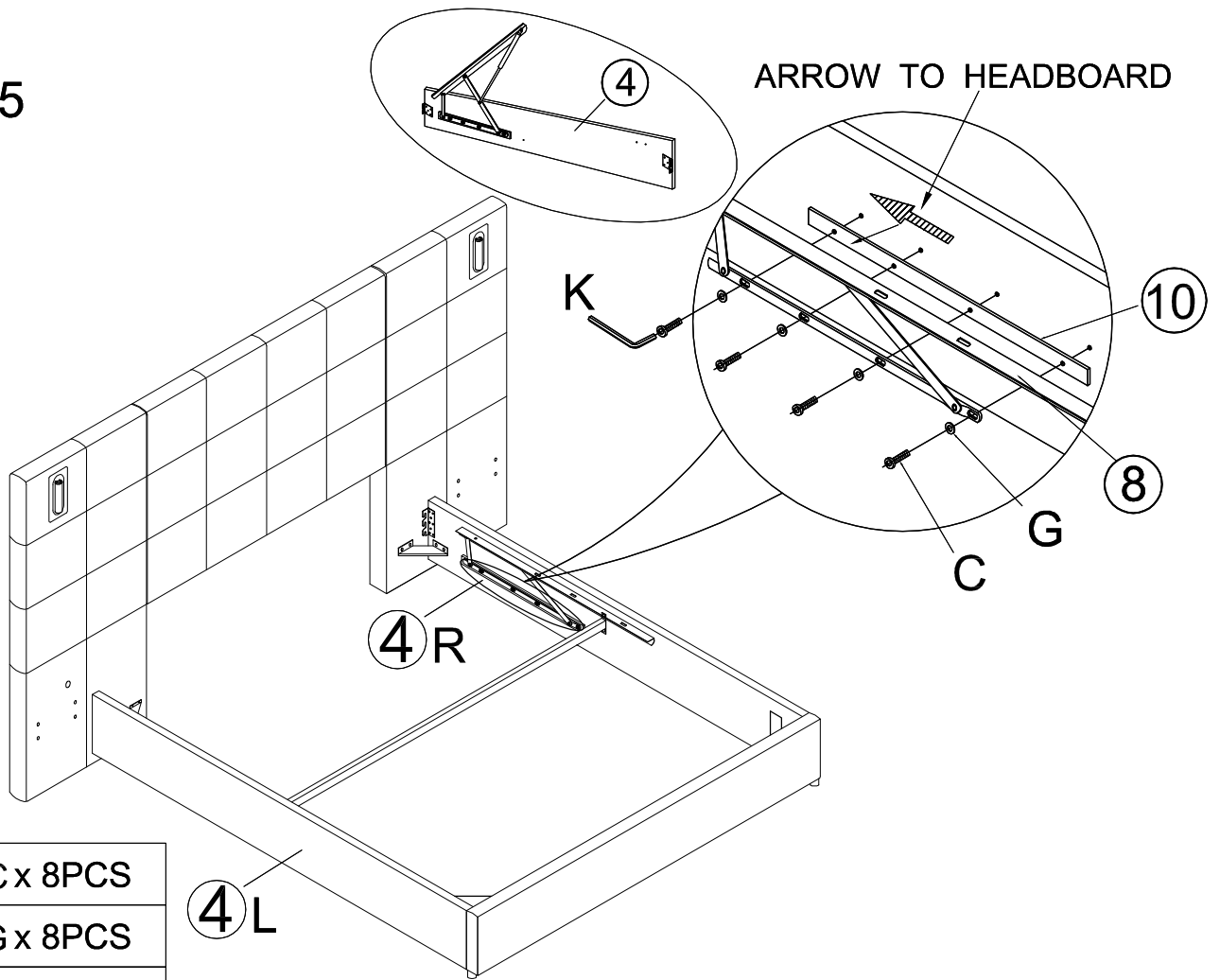
	A x 10PCS
	F x 10PCS
	H x 10PCS
	J x 1PC

STEP 4



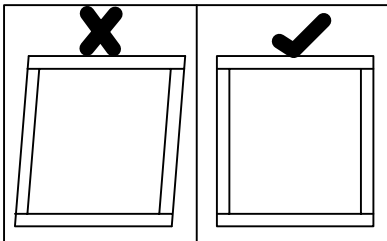
	B x 2PCS
	D x 20PCS
	F x 2PCS
	G x 20PCS
	H x 2PCS
	J x 1PC
	K x 1PC
	⑥ x 4PCS
	⑨ x 1PC

STEP 5



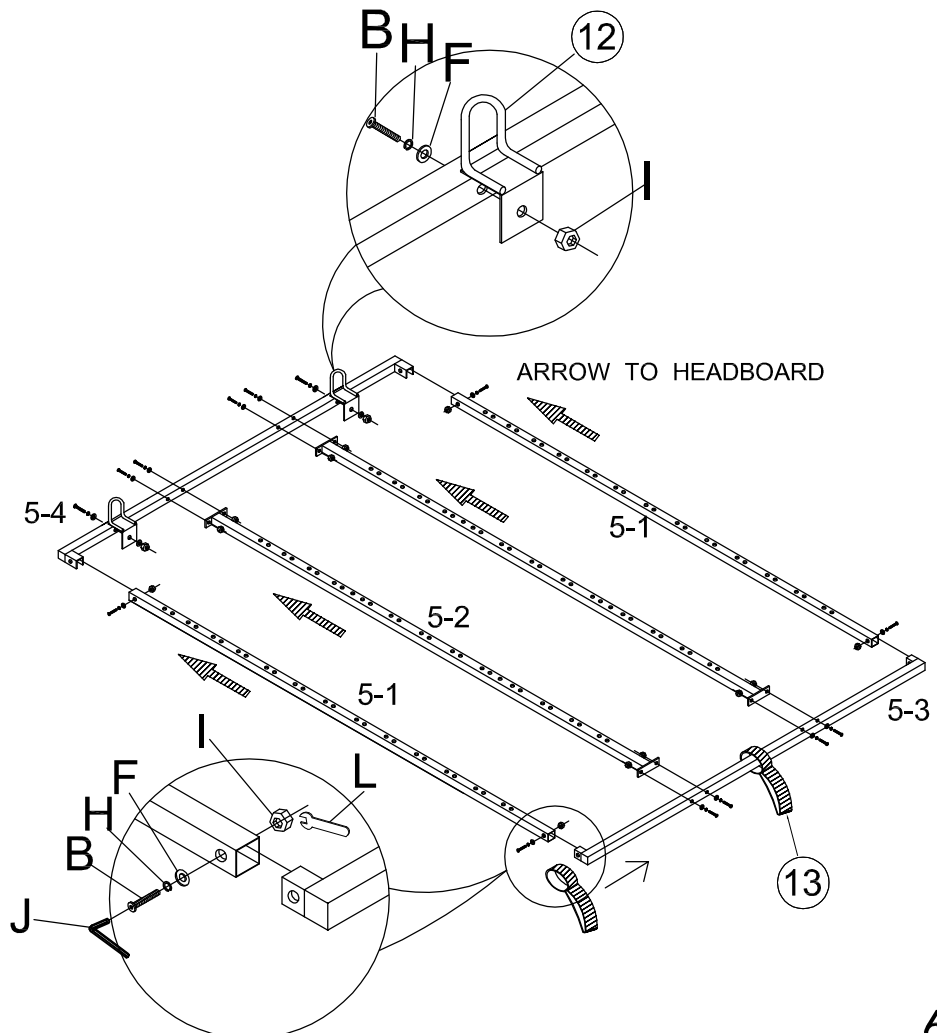
	C x 8PCS
	G x 8PCS
	K x 1PC

STEP 6

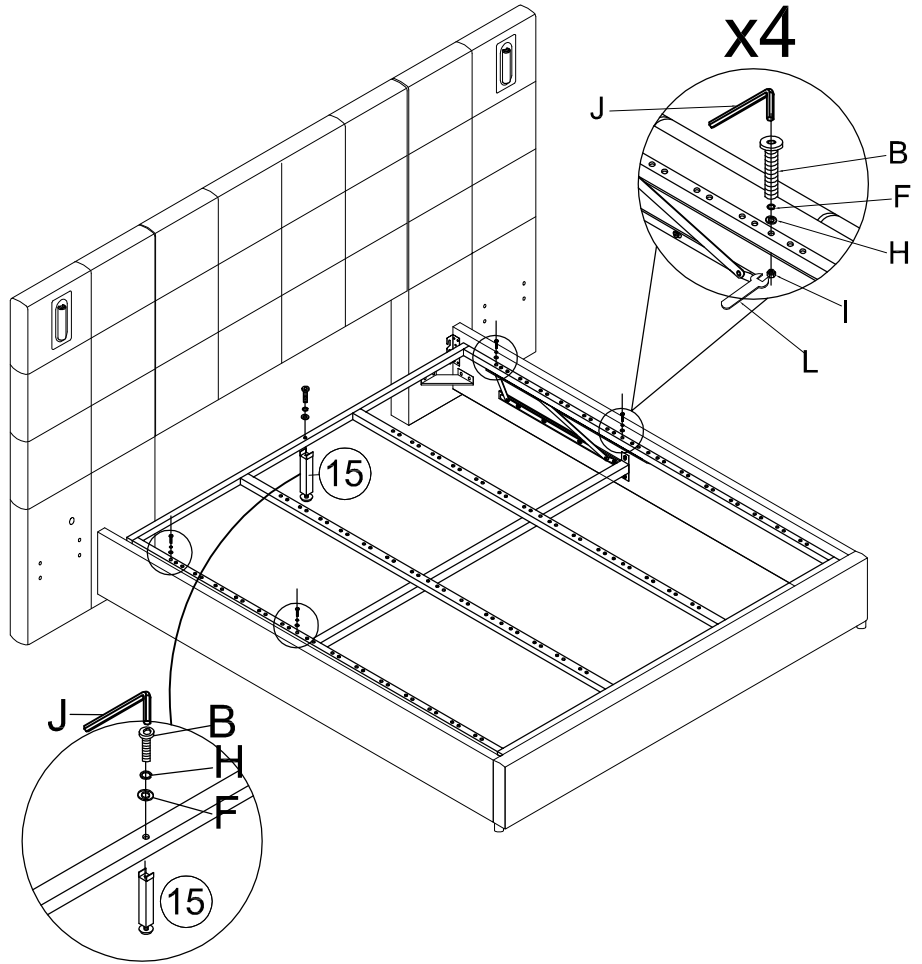


Note: Ensure that Frame assembly s are square.

	B x 14PCS
	F x 14PCS
	H x 14PCS
	I x 14PCS
	J x 1PC
	L x 1PC
	12 x 2PCS
	13 x 1PC

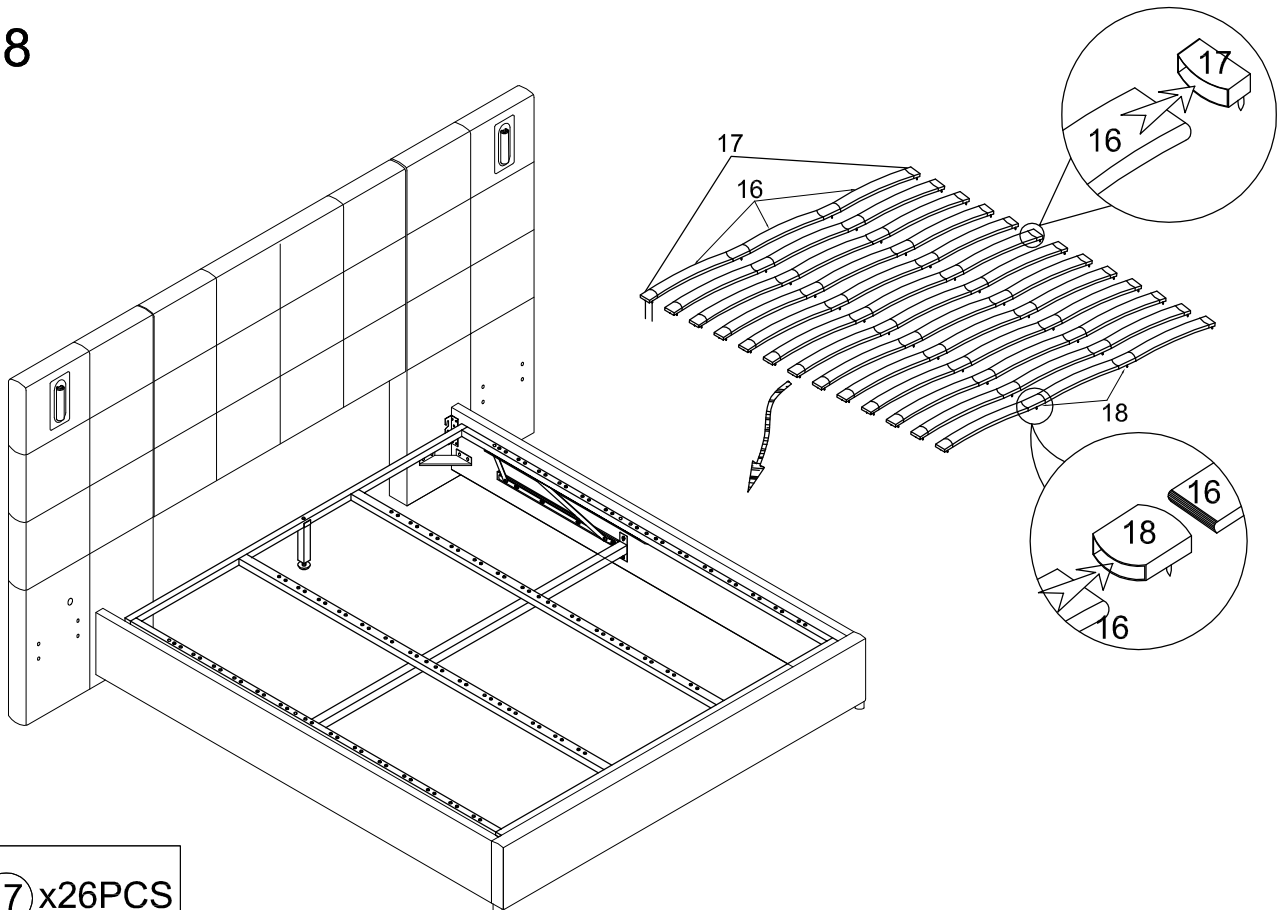


STEP 7



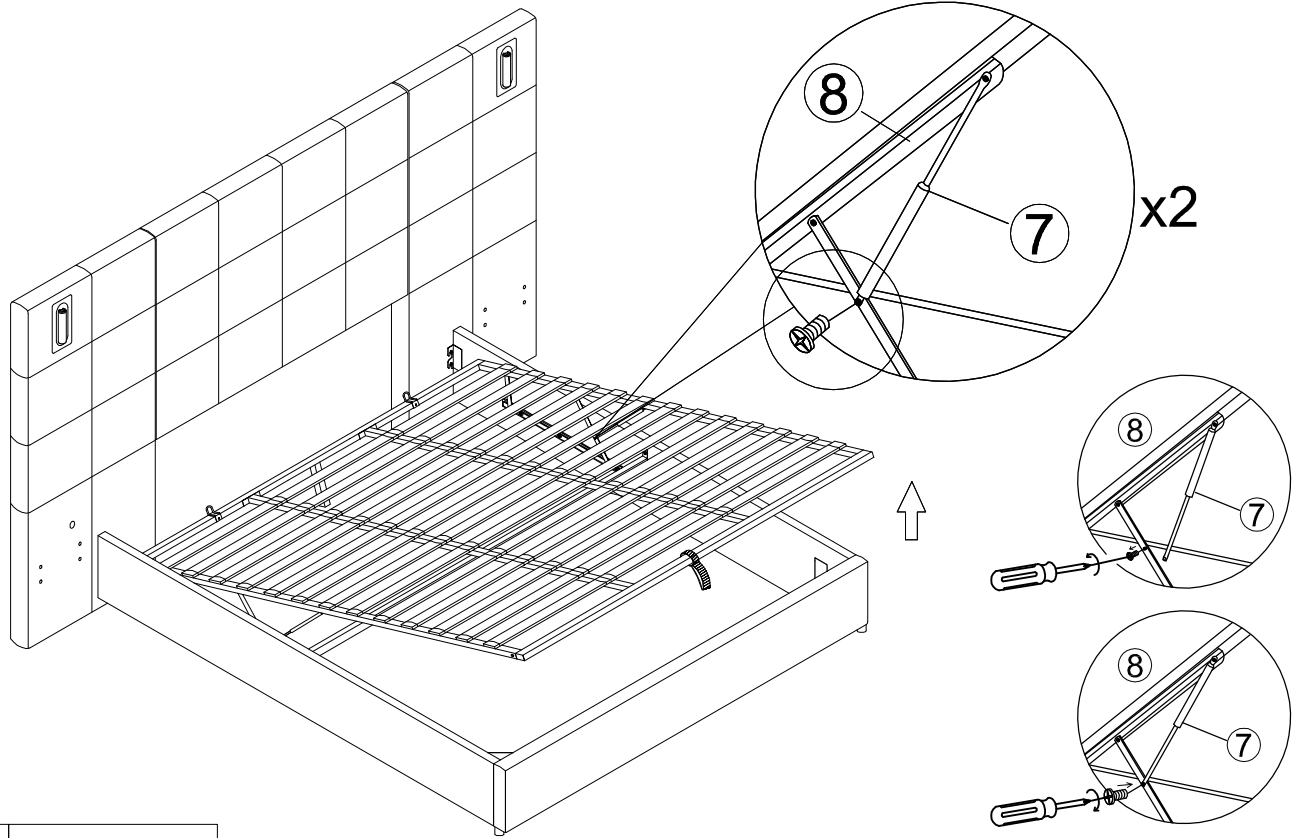
	B x 5PCS
	F x 5PCS
	H x 5PCS
	I x 4PCS
	J x 1PC
	L x 1PC

STEP 8



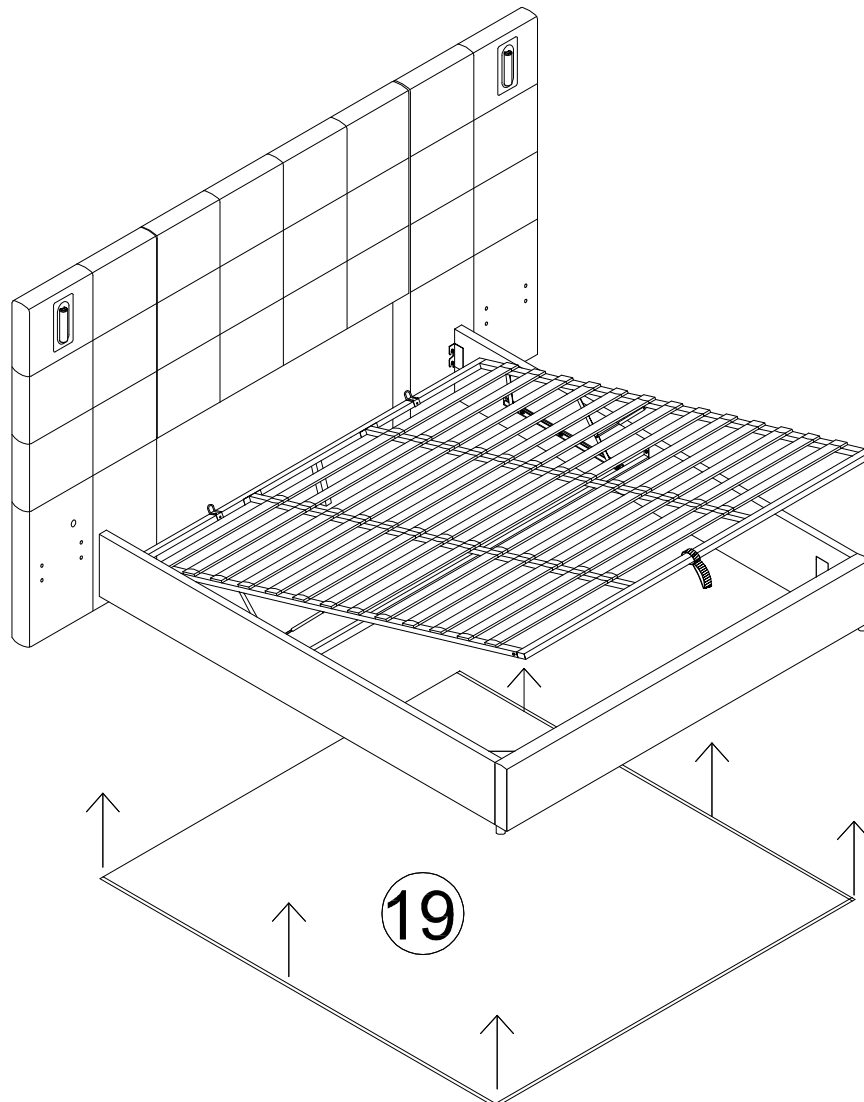
	17 x26PCS
	18 x26PCS

STEP 9

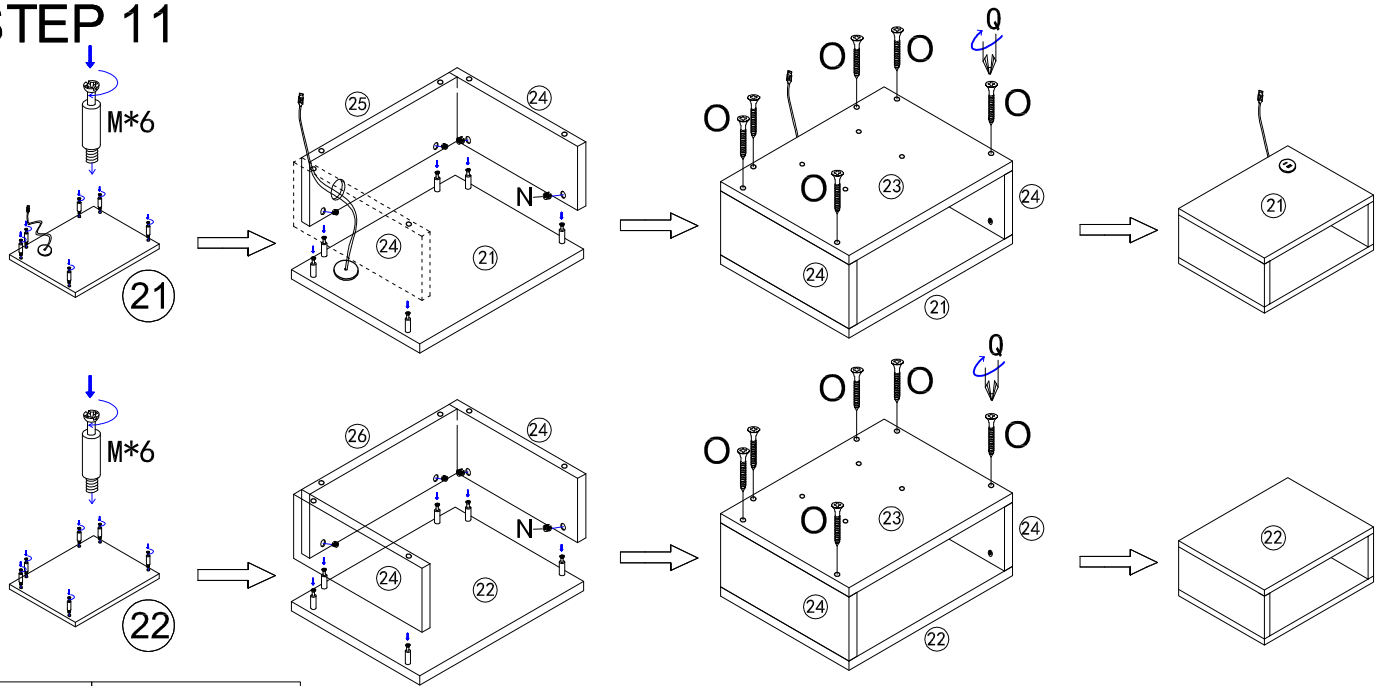


Q x 1PC

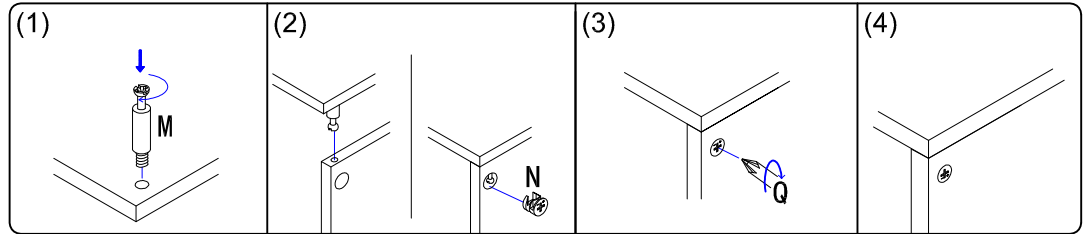
STEP 10



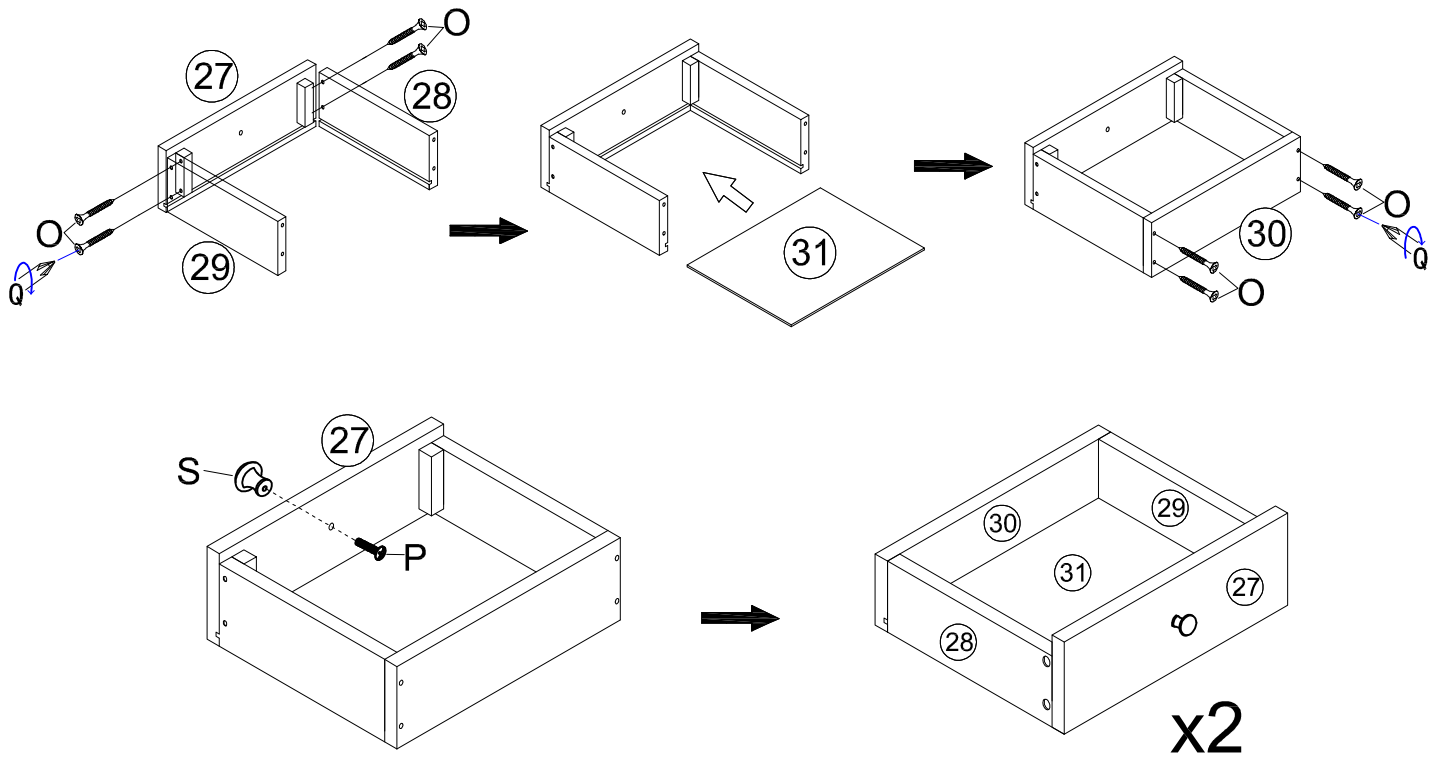
STEP 11



	Mx 12PCS
	N x 12PCS
	Ox 12PCS
	Qx 1PC



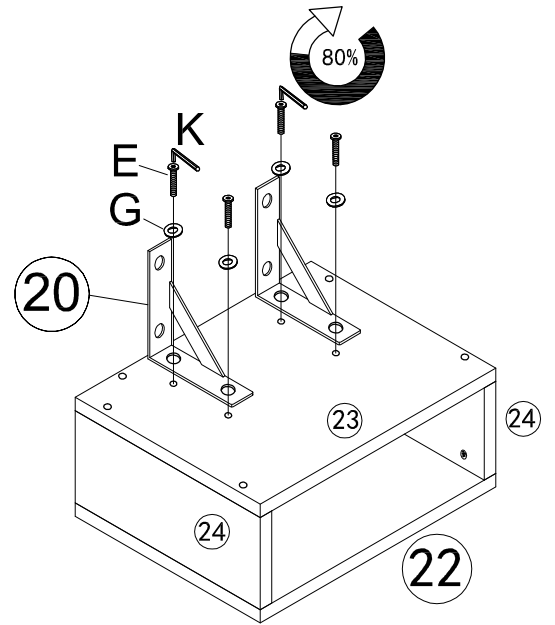
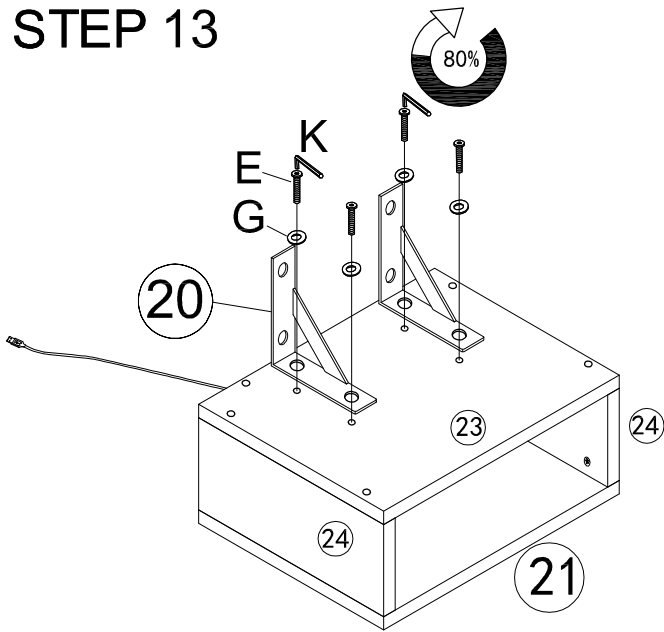
STEP 12





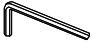
	Ox 16PCS
	P x 2PCS
	Qx 1PC

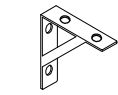
	S x2PCS
--	---------

STEP 13



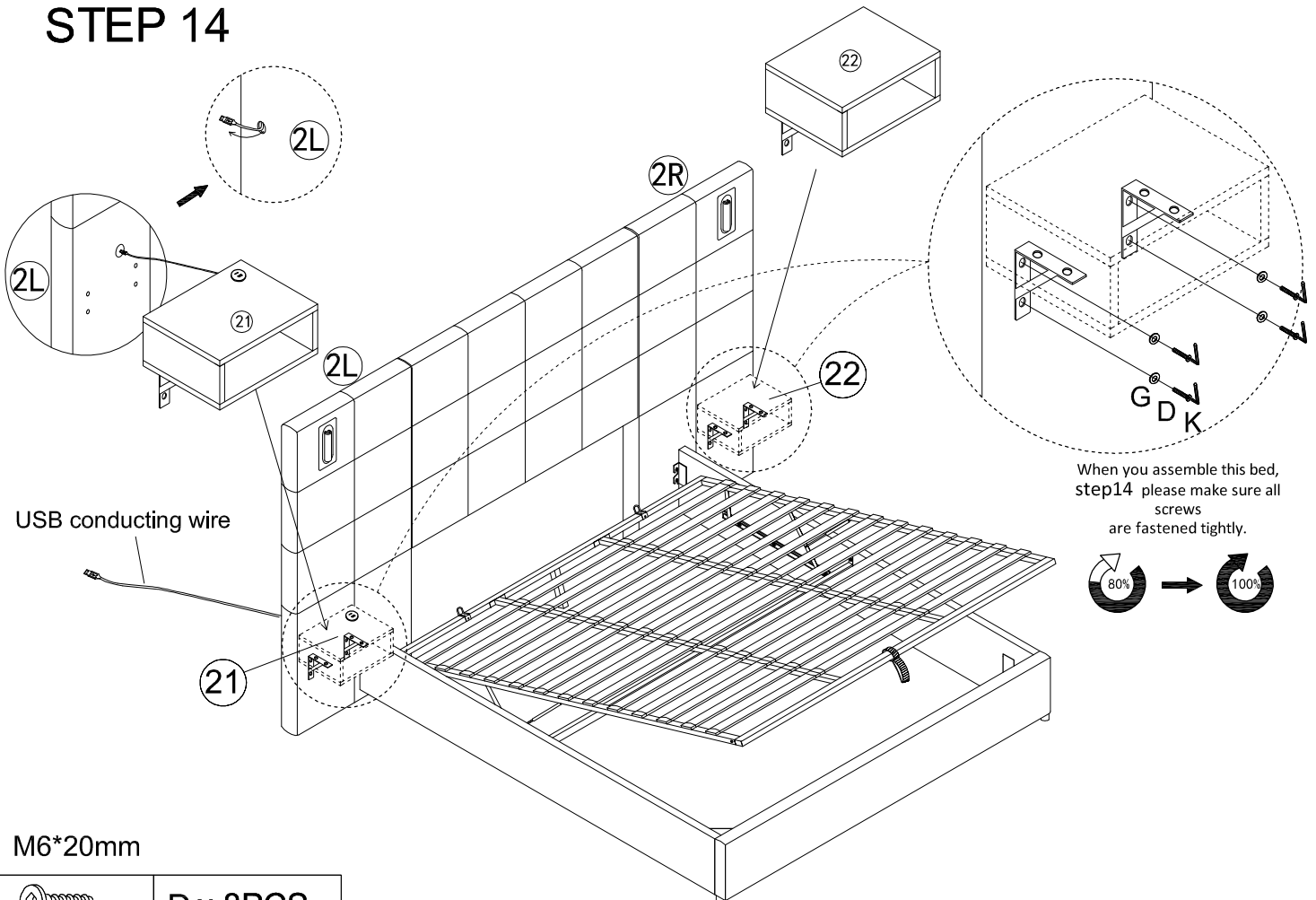
M6*15mm

	E x 8PCS
	G x 8PCS
	K x 1PC



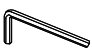


20 x 4PCS

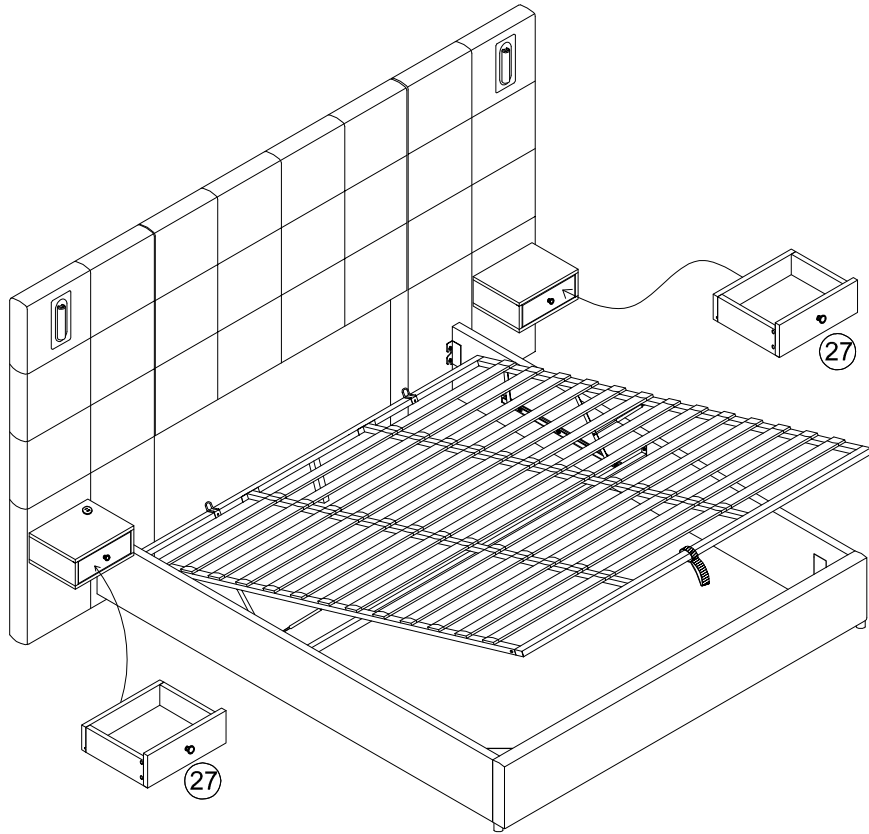
STEP 14



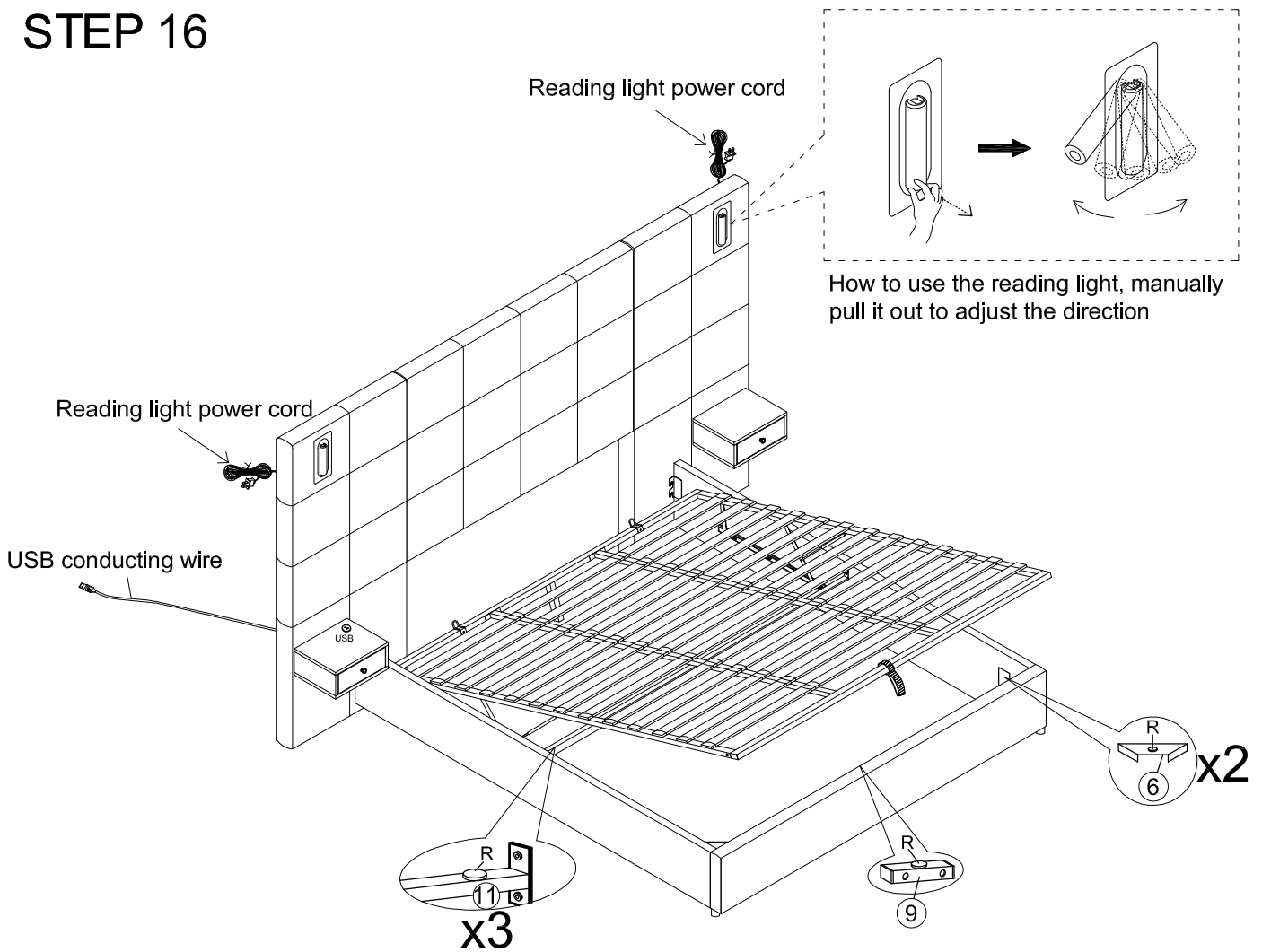
M6*20mm

	D x 8PCS
	G x 8PCS
	K x 1PC

STEP 15



STEP 16



R x 6PCS

STEP 14

In order to install ②1 ②2 more smoothly, the bed should be erected as a whole when necessary, and the bed frame must be open when the bed is lifted, and pay attention to safety.

