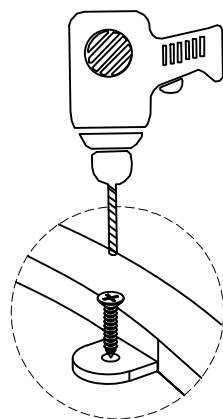
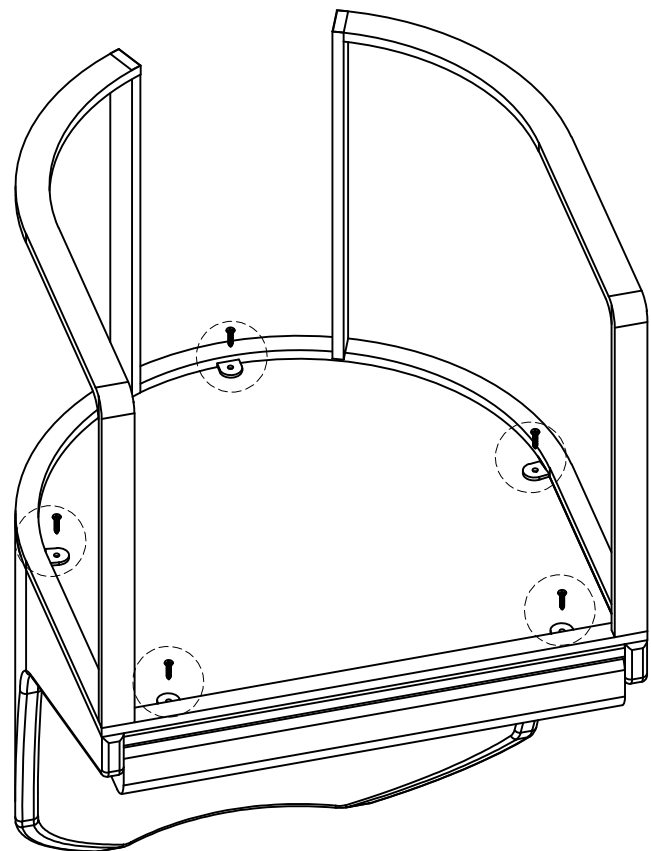
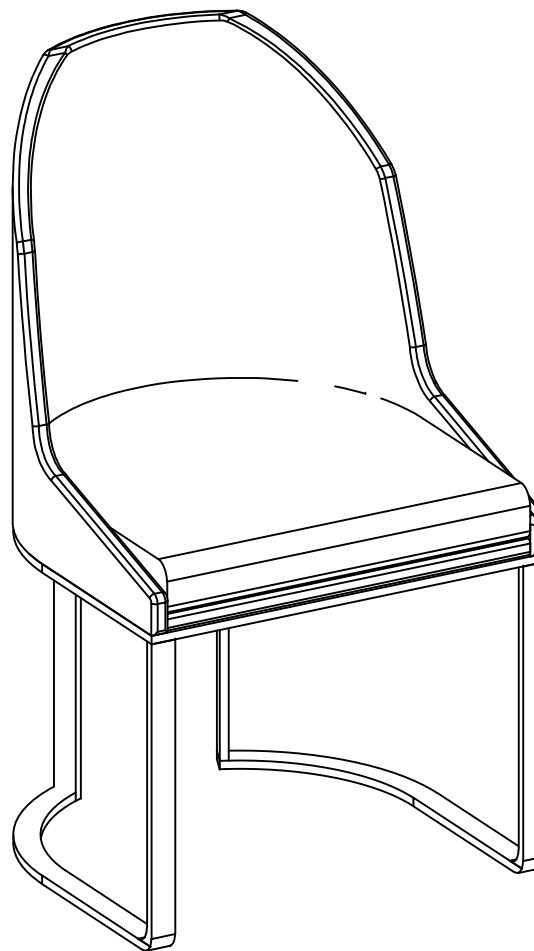


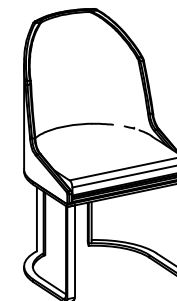
1. Put the seat upside down, place the base on the bottom of the seat, align the position, put in the self-tapping screws and tighten with an electric drill.



2. Installation complete




Installation instruction



The number of people needed for installation: 1

- ① Please read the manual carefully before installing this product. And strictly follow the installation process
- ② Please take good care of this manual for your next installation

Parts list

Serial number	Shape	Name	Quantity
A		Self-tapping screws (M4*30mm)	5