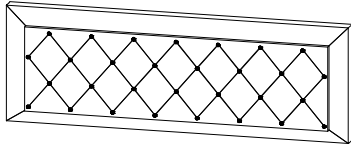
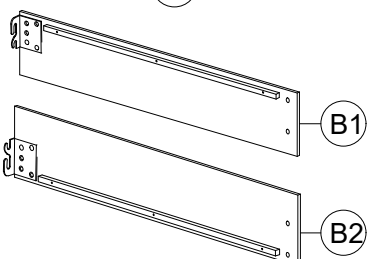
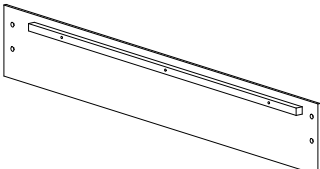
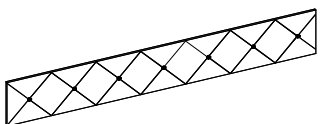
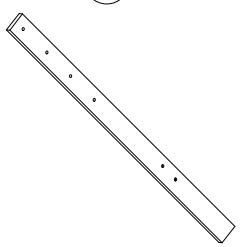
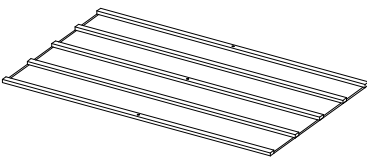
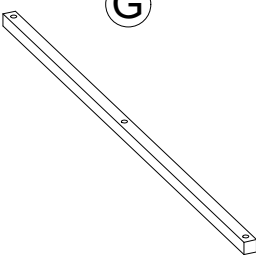
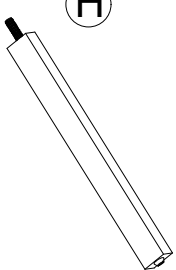
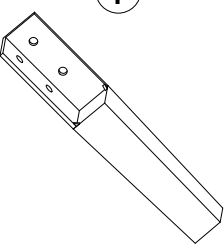
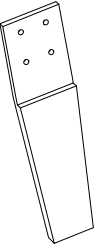







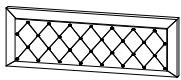
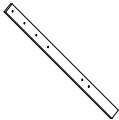



Instruction Manual

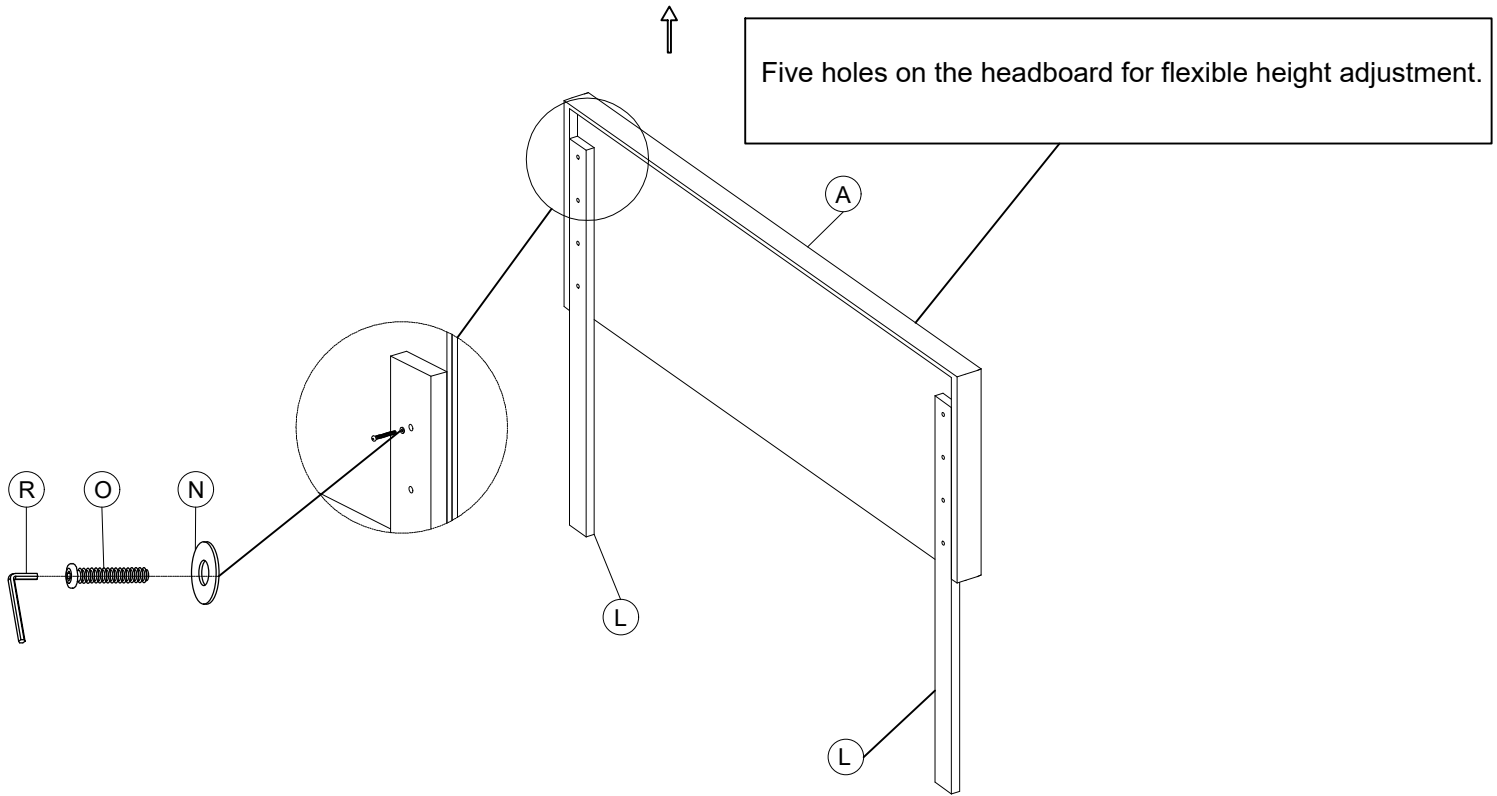
<p style="text-align: center;">(A)</p> 	<p style="text-align: center;">(B)</p> 	<p style="text-align: center;">(C)</p> 	<p style="text-align: center;">(D)</p> 
<p style="text-align: center;">Bed headboard 1 pcs</p>	<p style="text-align: center;">Bed side 1 pair (L/R)</p>	<p style="text-align: center;">Bed side 2 pcs</p>	<p style="text-align: center;">Footboard 1 pcs</p>
<p style="text-align: center;">(L)</p> 	<p style="text-align: center;">(F)</p> 	<p style="text-align: center;">(G)</p> 	<p style="text-align: center;">(H)</p> 
<p style="text-align: center;">Legs for the headboard 2 pcs</p>	<p style="text-align: center;">Bedrail with holes 2 set</p>	<p style="text-align: center;">Bedrail support rail 2 pcs</p>	<p style="text-align: center;">Bedrail support legs 6 pcs</p>
<p style="text-align: center;">(I)</p> 	<p style="text-align: center;">(K)</p> 		
<p style="text-align: center;">Legs for the footboard 2pcs</p>	<p style="text-align: center;">Middle leg of the bed 2 pcs</p>		

HARDWARELIST

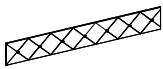
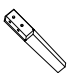


NO.	Drawing	Description	Qty
O		Screw(M8x45mm)	8pcs
P		Screw(M8x25mm)	12pcs
E		Screw(M8x30mm)	8pcs
N		Gasket(M8x19mm)	28pcs
R		Allen key (4mm)	1pcs

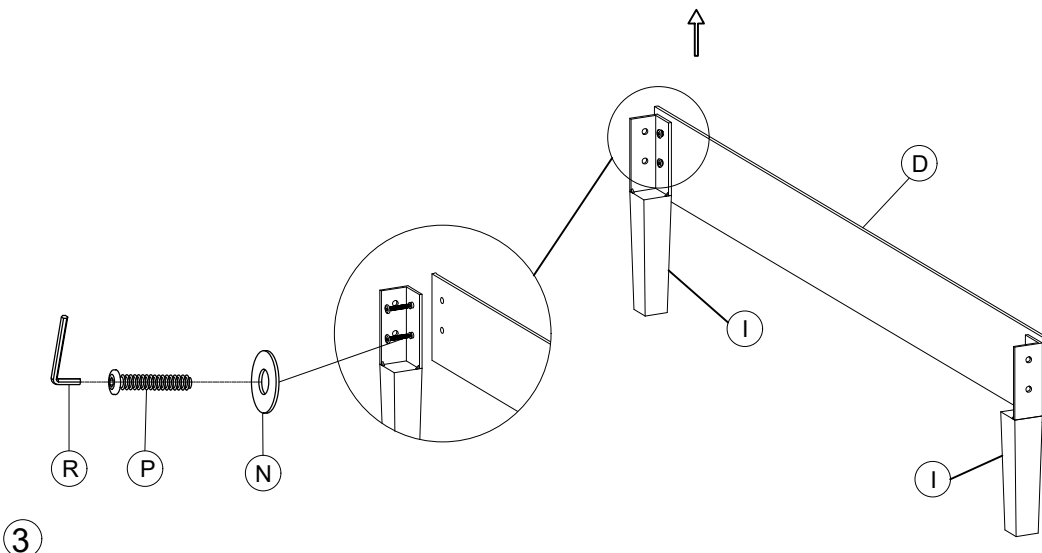
Step 1: Fix the legs to the headboard.

<p>A</p> 	<p>L *2</p> 	<p>O*8</p>  <p>M8x45mm</p>	<p>N*8</p>  <p>M8x19mm</p>	<p>R</p>  <p>Allen key 4mm</p>
--	---	---	---	---

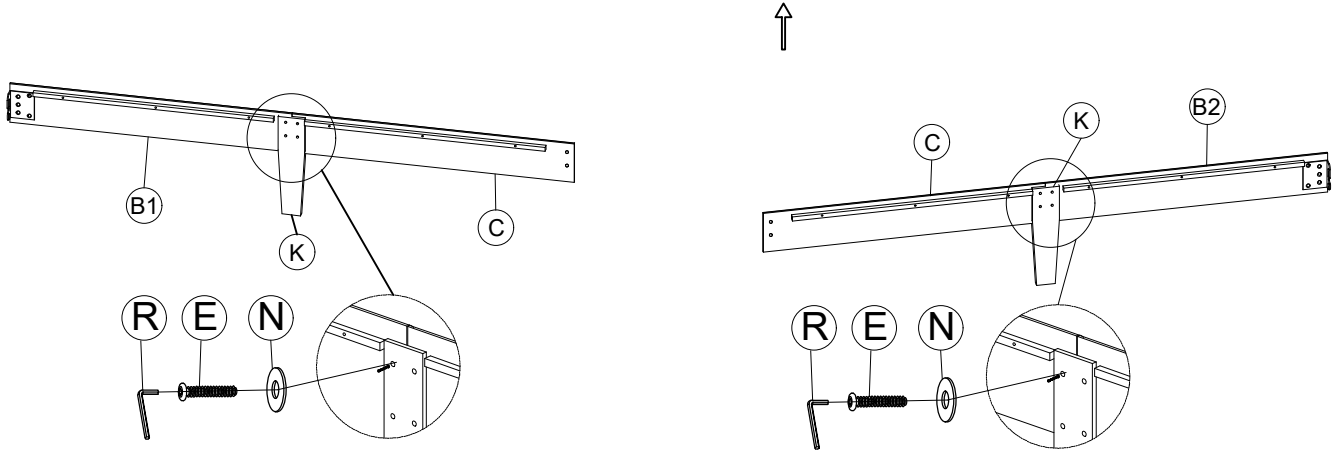
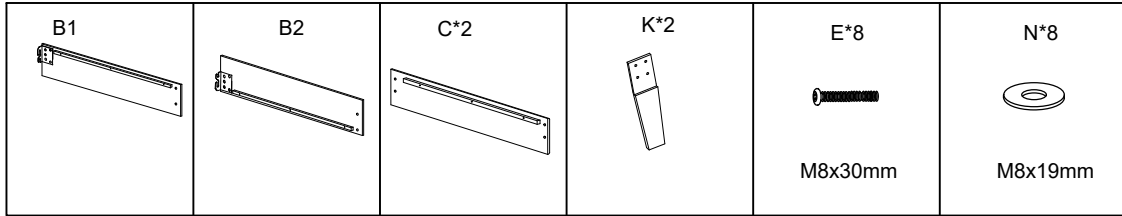


Step 2: Fix the legs to the footboard.

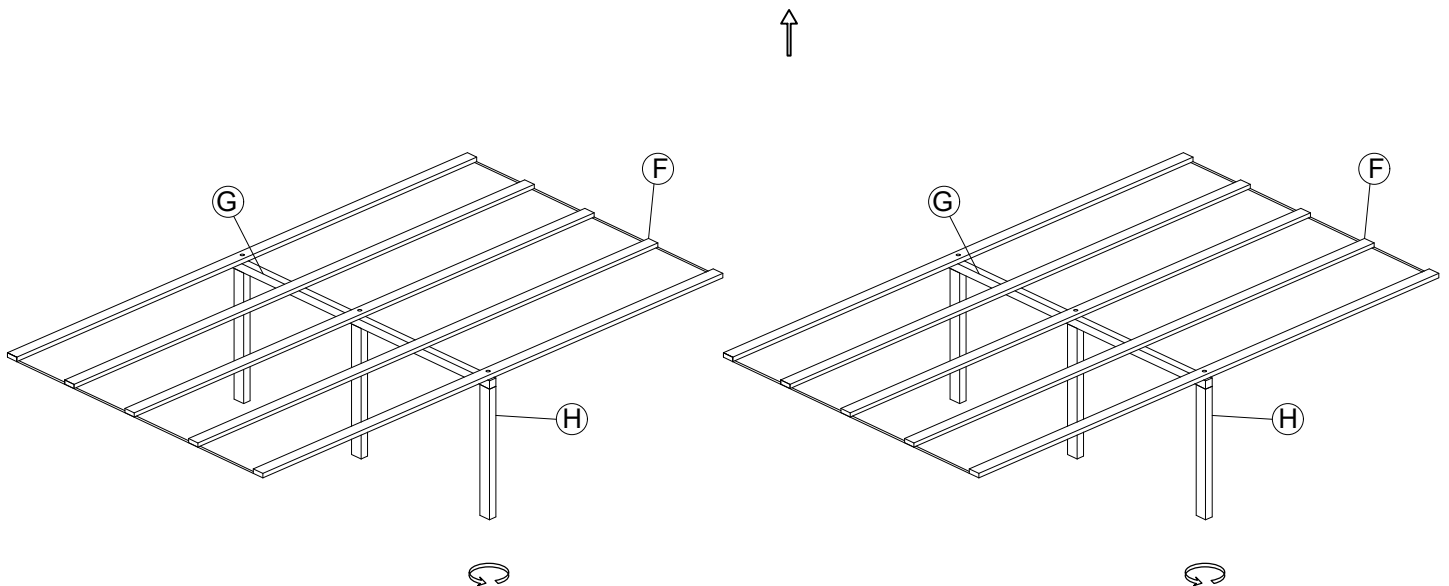
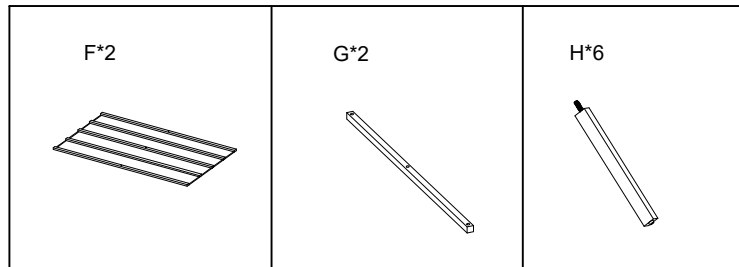
<p>D</p> 	<p>I*2</p> 	<p>P*4</p>  <p>M8x25mm</p>	<p>N*4</p>  <p>M8x19mm</p>
--	--	---	---



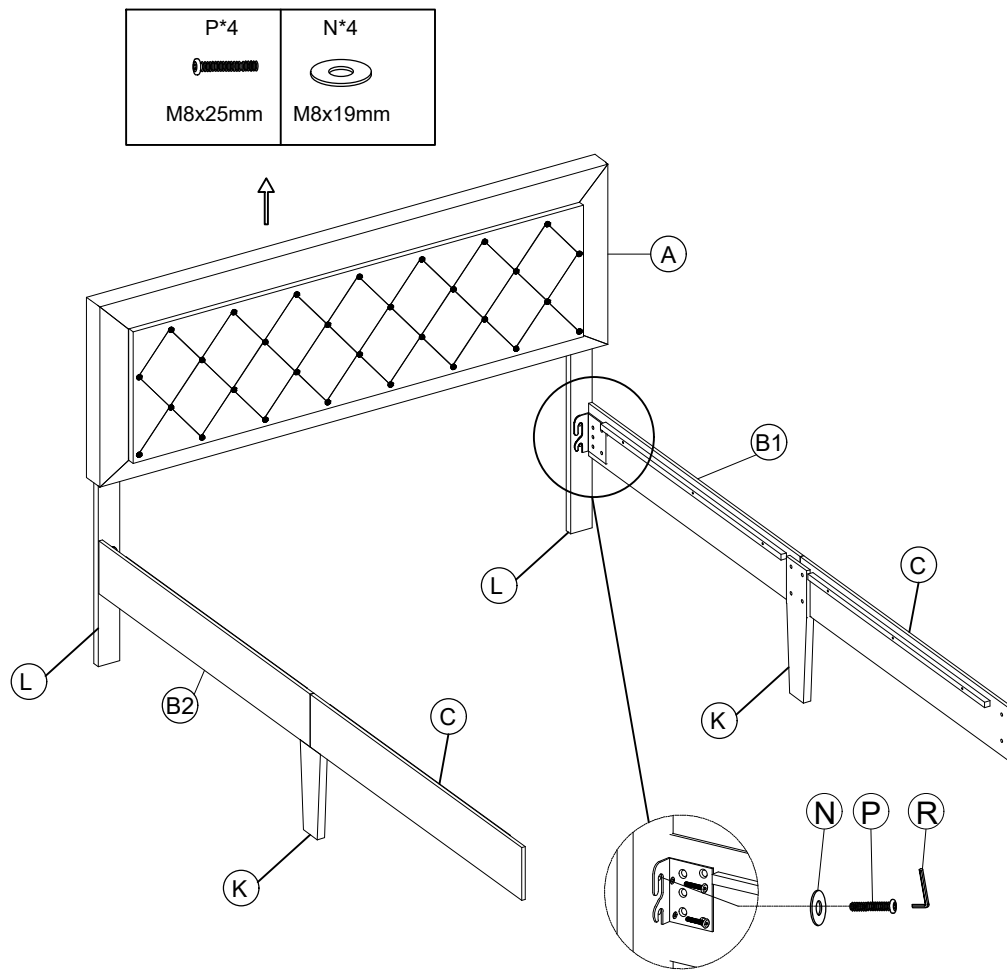
Step 3: Connect the bed sides together with the middle leg ks.



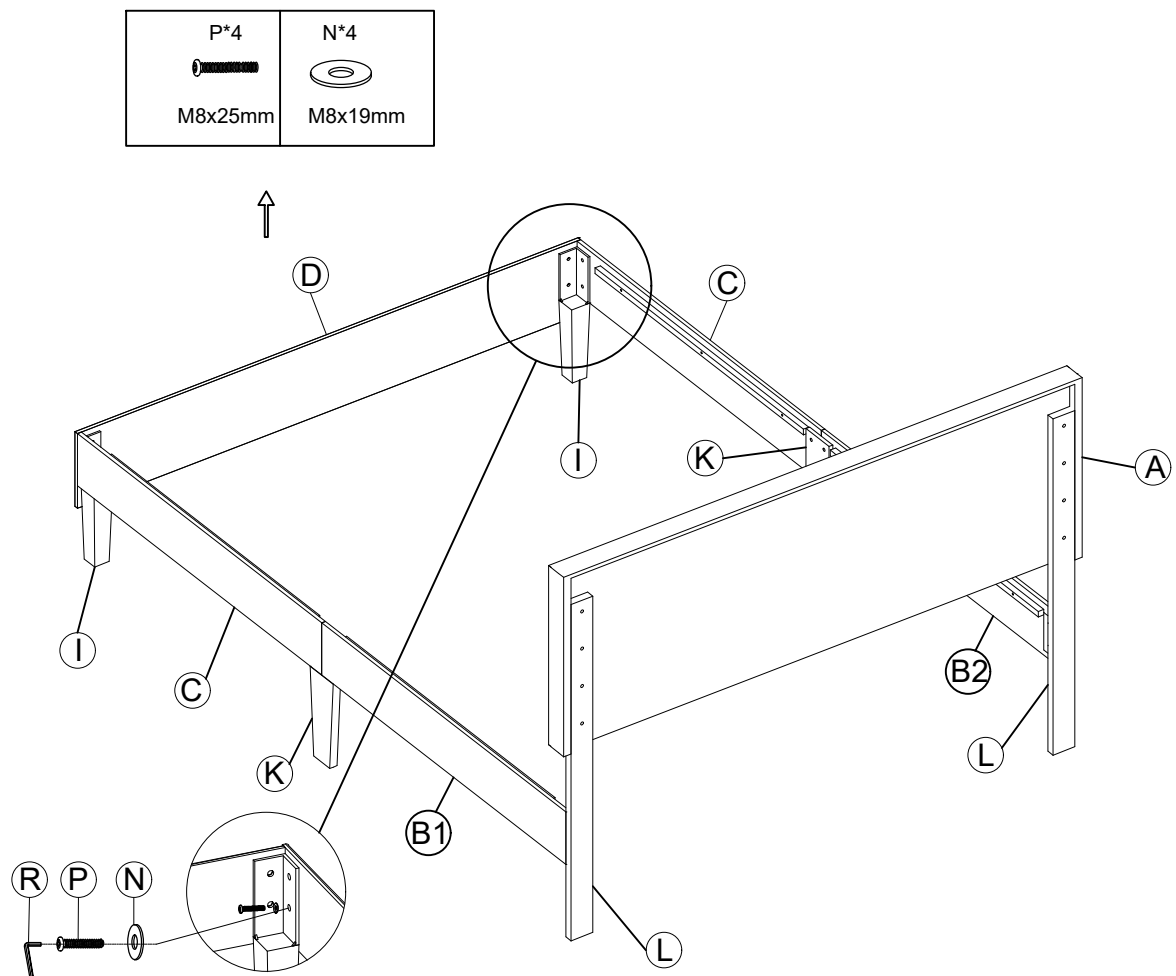
Step 4: Fix the bedrails to the bed support rail and the bedrail support legs.



Step 5: Attach the bed sides to the headboard and tighten.



Step 6: Fix the legs of the footboard to the bed sides.



Step 7: Put the bedrail sets on bed frame and the assembly is completed.

