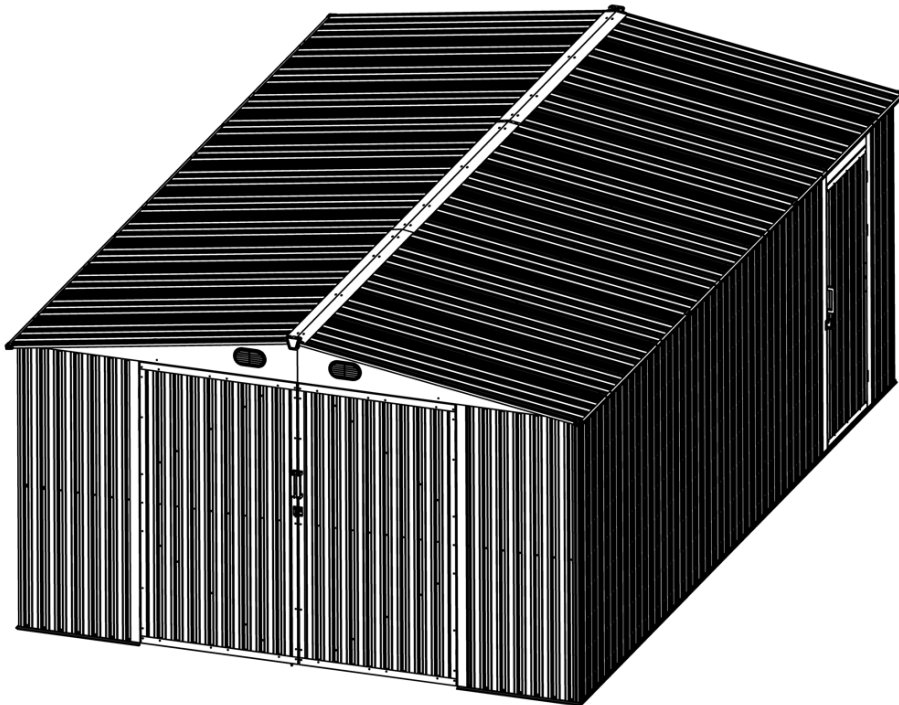


ASSEMBLY INSTRUCTIONS

13*20ft Garden Metal Garage Shed Installation Instructions W157"xD238.6"xH91.3"



Site Selection

Avoid overhanging trees as much as possible as leaves will make regular cleaning necessary and broken branches are a potential hazard.
Small trees, bushes or fences nearby can be helpful, acting as a windbreak.

Site Preparation

1. The site must be prepared so that the base of the shed is level all round and checking with a spirit level is required.
2. The base can be constructed by treated timber or concrete, in order to stop the moisture getting into the shed.
3. The shed is not designed to be built onto lawn directly. Also the ground will get muddy during rainy days.
4. If a concrete pad is made, it is important that this slopes towards the edges to prevent water ingress.
5. Time must be allowed for any concrete or cement to dry before building the shed on top.
6. Bases can also be constructed from bricks, blocks, or mounted on a concrete pad. The bricks or blocks should be cemented onto firm and level concrete footings.

Please prepare below tools before installation. (Not Included)



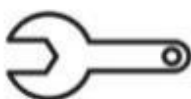
Electric Screwdriver



+ Manual Screwdriver



Ladder



Spanner

Package included Tools



Gloves X 1 Pair

(Included)



1. Please check the quantity of all parts before installation (refer to the Parts Lists) and the appearance of the products. Make sure the product is correct before installation.
2. Protect spare parts carefully in case any losing, scratch or damage occurred during installation. Manufacturer and seller expressly disclaim any and all liability for personal injury, property damage or loss, whether direct, indirect, or incidental, resulting from the incorrect attachment, improper use, inadequate maintenance, unapproved modification, or **neglect** of this product.

Installation Notes

Please read this instruction carefully before installation and follow it strictly during installation. Ensure that there are no problems later due to installation errors.

Make sure the colored panels are facing outwards and all the holes match. please install the panels in the order specified in the instructions.

All lines and holes should be matched to make the shed more stable. If can't match pls stretch the panel.

Please ensure that all gaskets are used to prevent the leaking from the holes. Especially the roof screws must used with gaskets.

There is a protective film on the surface to protect the product, you can tear it off after installation. If you do not damage the film during installation, it can also remain on the product to protect.

Please place the product on a flat ground to prevent leaning and collapse. If the ground is uneven, the door may can't be closed.



Safety Precautions

We recommend **two adults** to complete the installation. Two adults installed together will make the installation process easier and safer.

The gloves must be carried to prevent hand cuts during installation.


















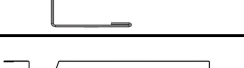
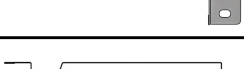
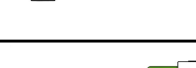
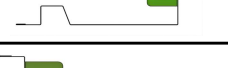
Take care when using power tools near water the use of a residual current device (RCD) is advised. Please use the electric driver carefully during screwing to prevent the screw from slipping and hurting your hand.

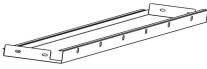










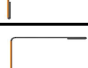
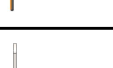
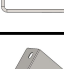

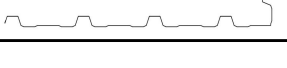

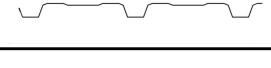

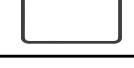

Be careful not to fall when installing the roof. Please steady the ladder and make sure the product placed on a flat ground.

PLEASE KEEP THIS INSTRUCTION FOR FUTURE REFERENCE.

ASSEMBLY INSTRUCTIONS


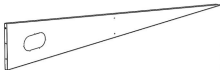

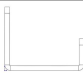







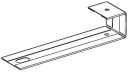
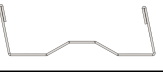
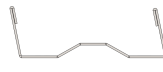
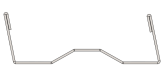






Component List

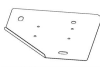

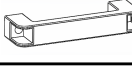


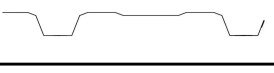
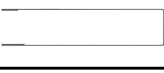


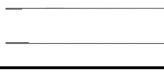






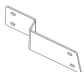


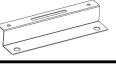

Part	No	Qty
	1L	2
	1R	1
	1M	2
	2	1
	3	1
	4L	1
	4R	1
	9L	1
	9R	1
	10R	2
	10L	1
	10M	2
	11R	1
	11L	2
	11M	2
	12R	1
	12L	1
	13L	1
	13R	1
	15L	1
	15R	1

Part	No	Qty
	15M	1
	7	1
	8	1
	14	4
	16	1
	17	1
	18	1
	19	1
	20	2
	21	4
	22L	1
	22R	1
	23	2
	24	2
	P1	4
	P2	28
	P3	2
	P4	2
	A1	1
	ABL	2
	ABM	2

ASSEMBLY INSTRUCTIONS




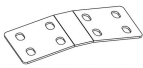






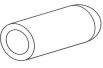






Component List

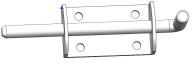


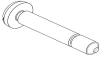
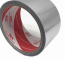
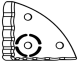

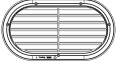

Part	No	Qty
	ABR	2
	APL	2
	APR	2
	PL	4
	AP2	26
	AP5	3
	AP6	4
	AP7	4
	AP8	2
	C2	2
	C3	2
	C4	4
	CR	2
	CM	2
	CL	2
	D1	2
	D2	4
	D3	2
	D4	2
	D5	1
	D6	1

Part	No	Qty
	D7	4
	D8	4
	D9	3
	D10	4
	D11	1
	D12	2
	D13	1
	D14	1
	D15	1
	D16	1
	D17	1
	D18	2
	D19	1
	D20	2
	D21	1
	E1	2
	E2	4
	E3	4
	E4	4
	E5	5
	E6	4

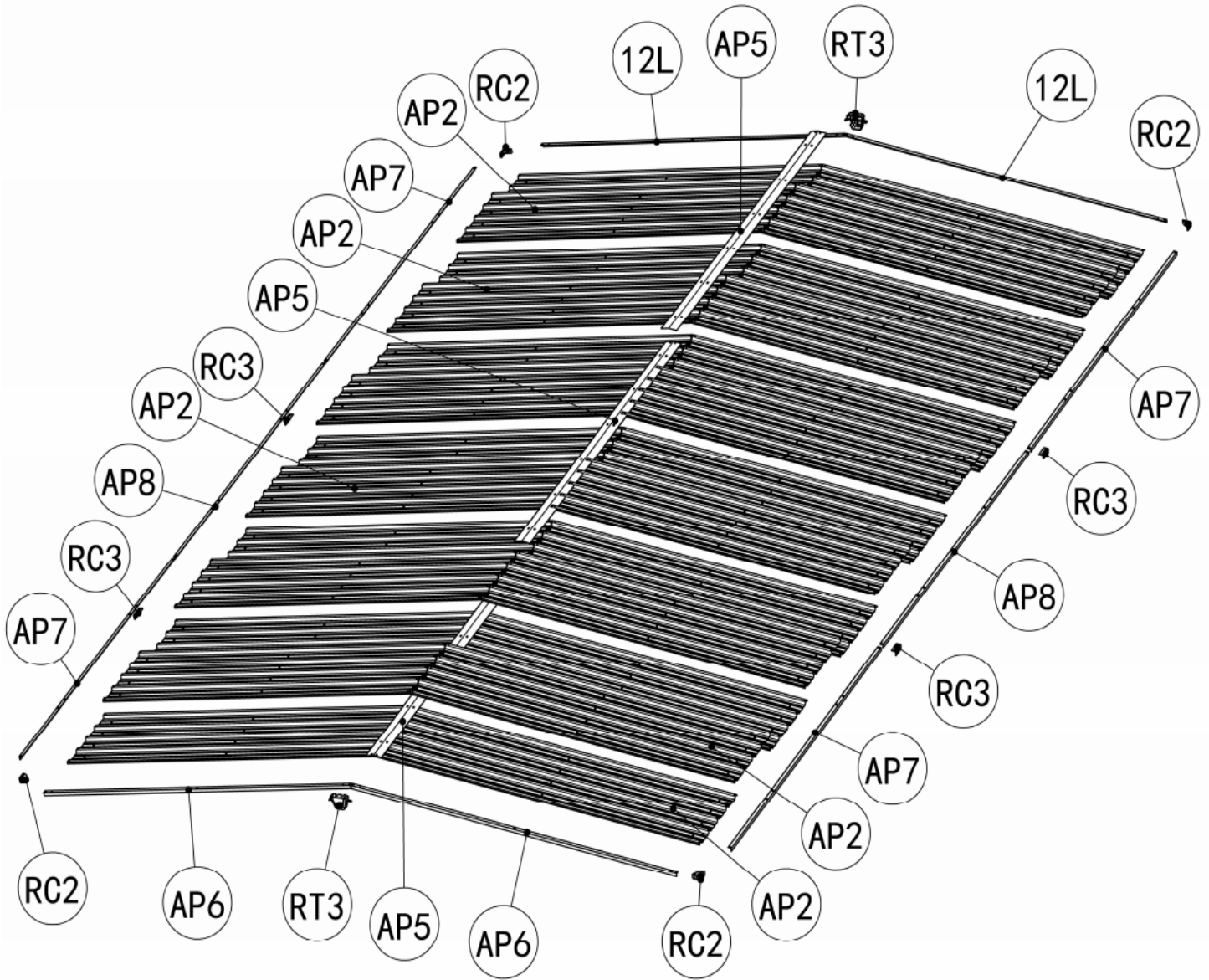
ASSEMBLY INSTRUCTIONS

Component List

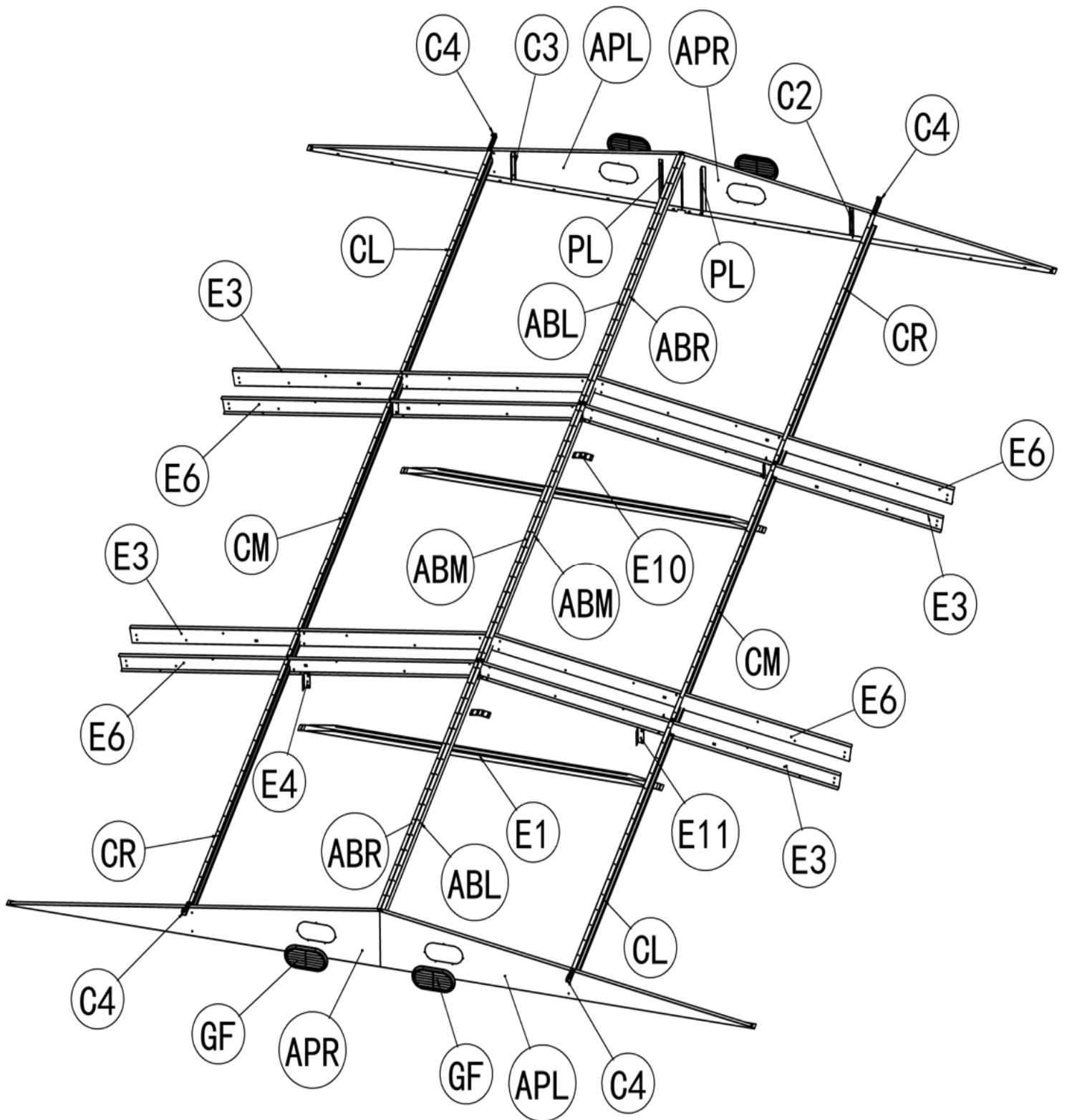
Part	No	Qty
	E7	4
	E8	4
	E9	26
	E10	2
	E11	4
	E12	4
	F1	996
	F2	158
	F4	20
	F6	230
	F8	302
	F7	761
	F11	66
	F12	6
	F13	60
	F16	12
	F17	6

Part	No	Qty
	GD	2
	S1	9
	GB	2
	GE	11
	H	1
	RC2	4
	RC3	4
	GF	4
	RT3	2

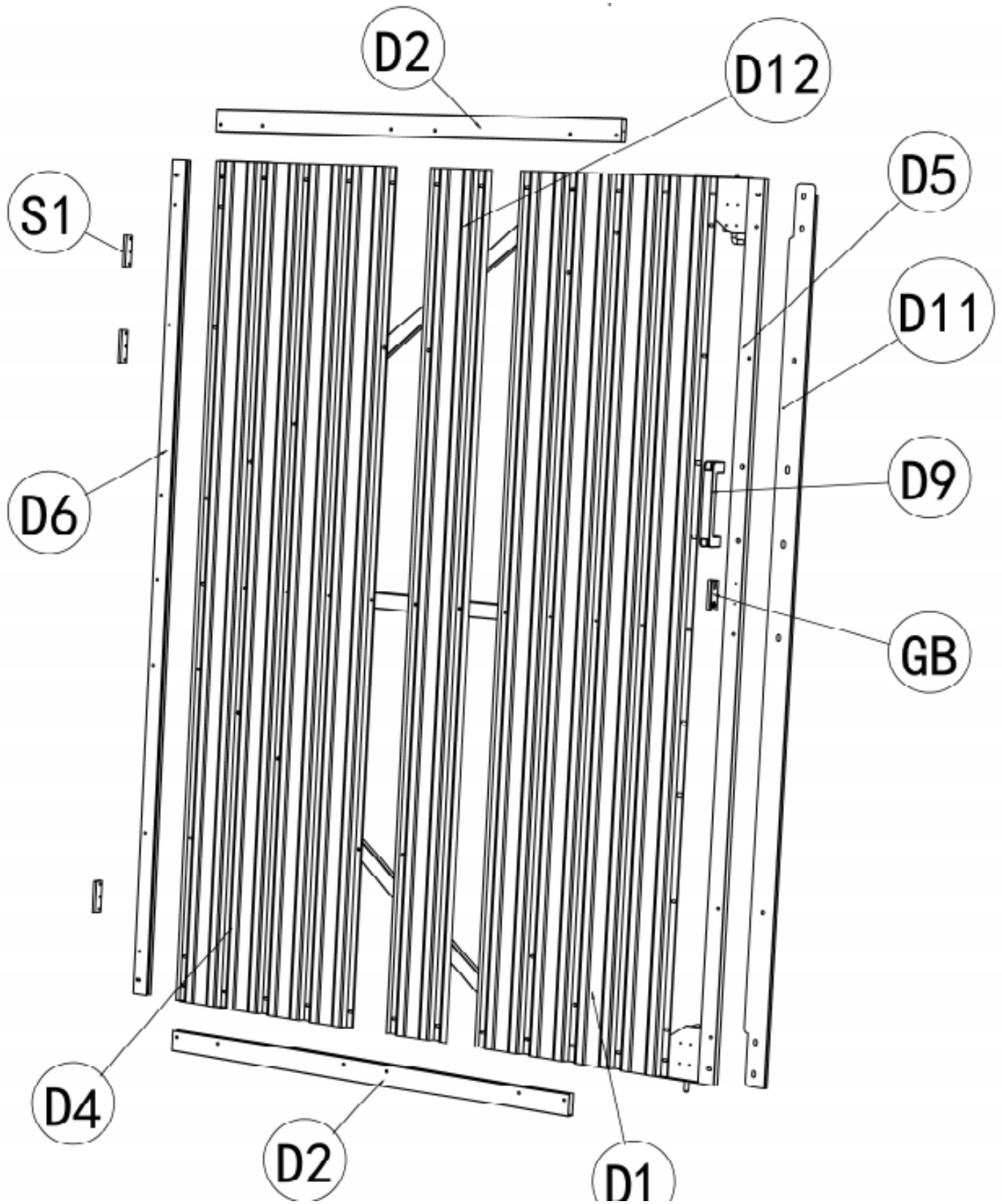
ASSEMBLY INSTRUCTIONS



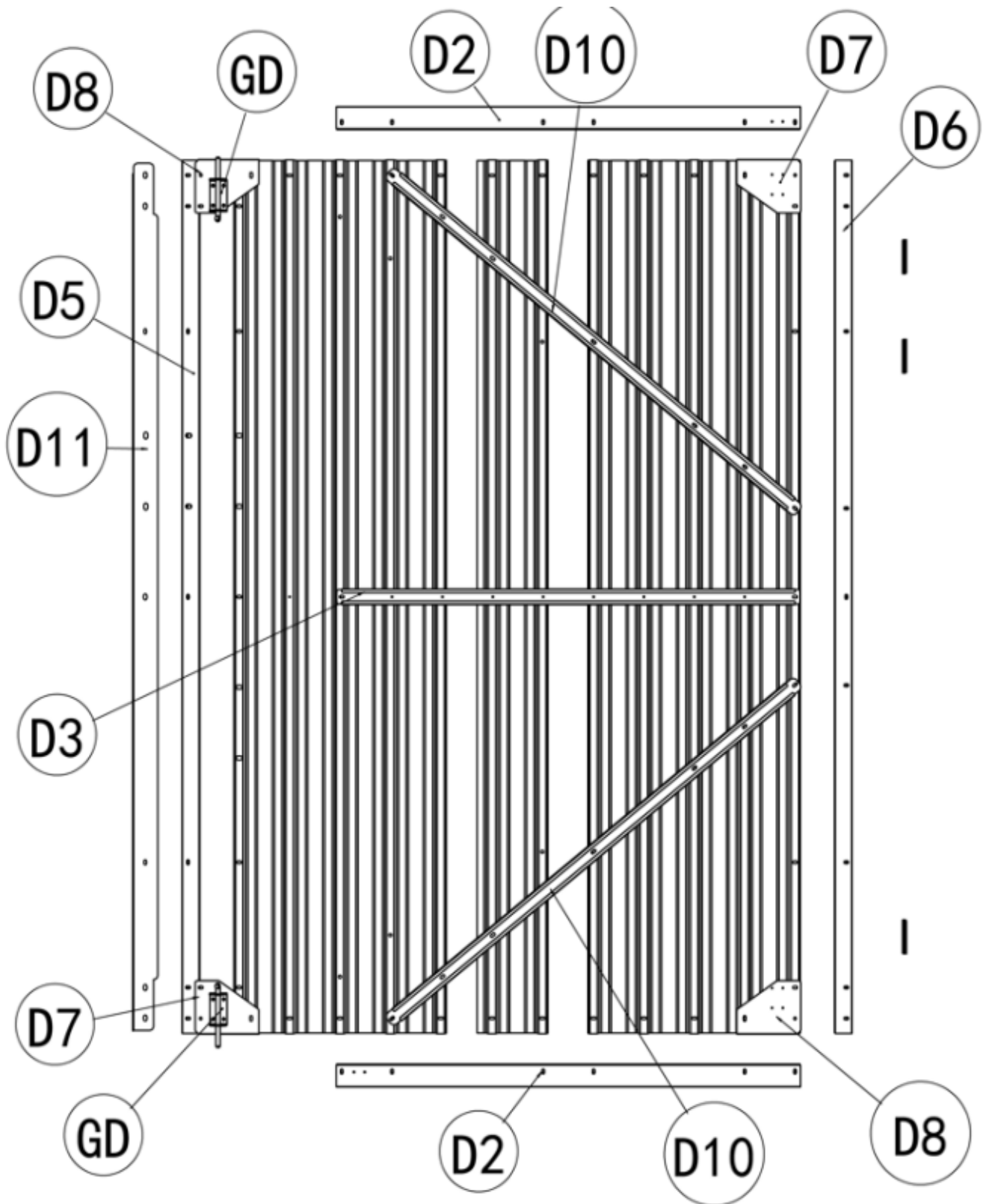
ASSEMBLY INSTRUCTIONS



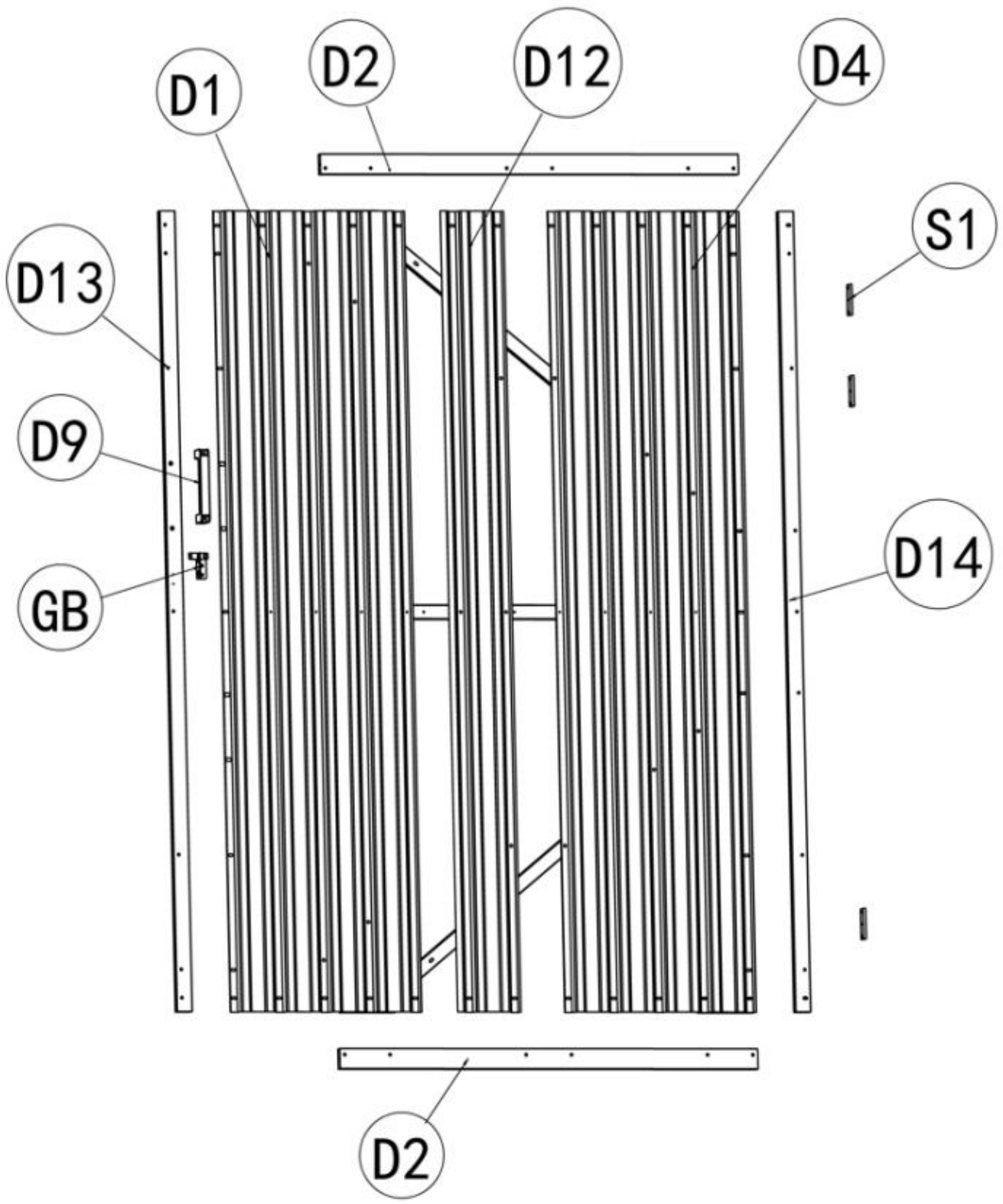
ASSEMBLY INSTRUCTIONS

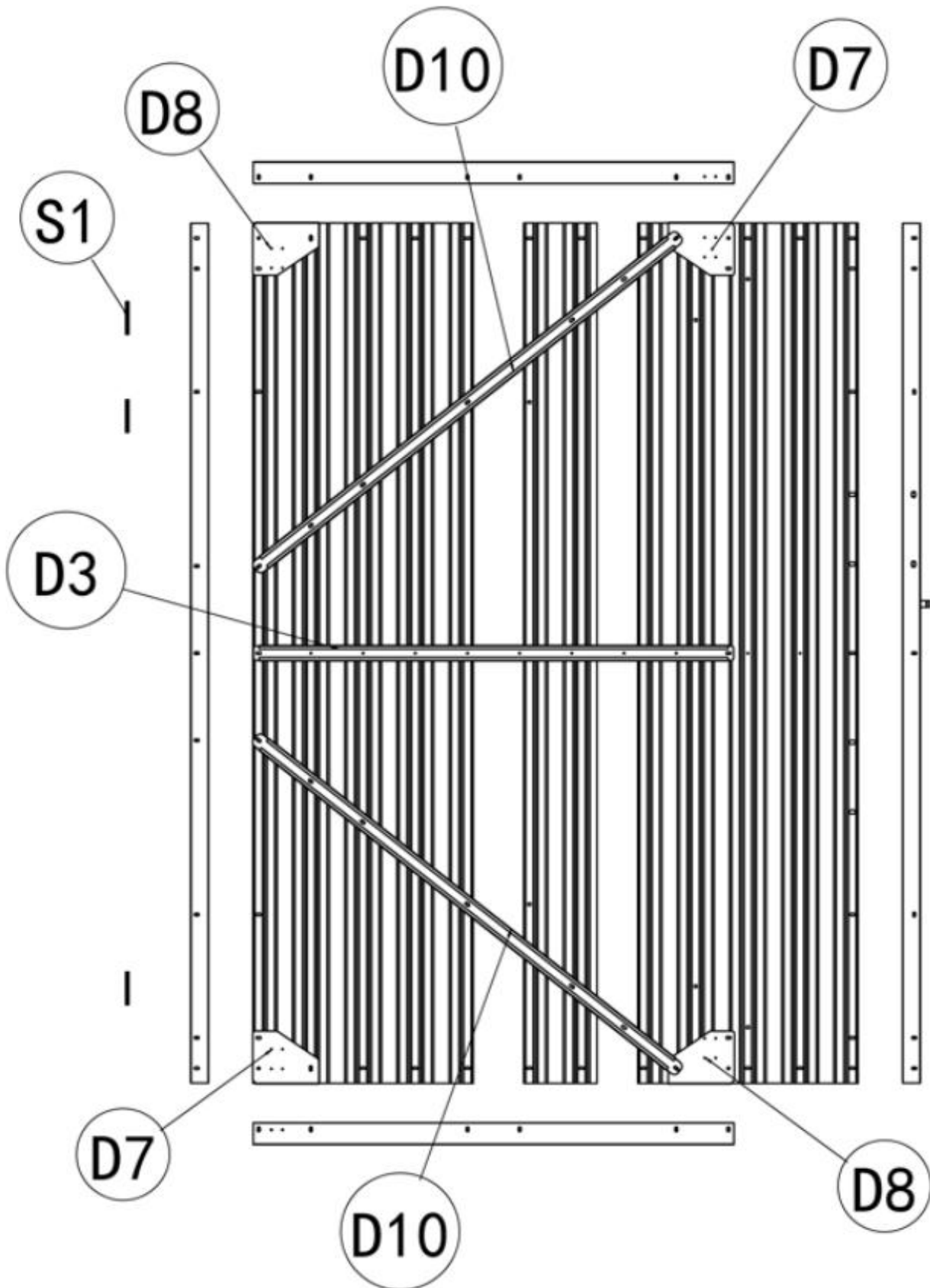


ASSEMBLY INSTRUCTIONS

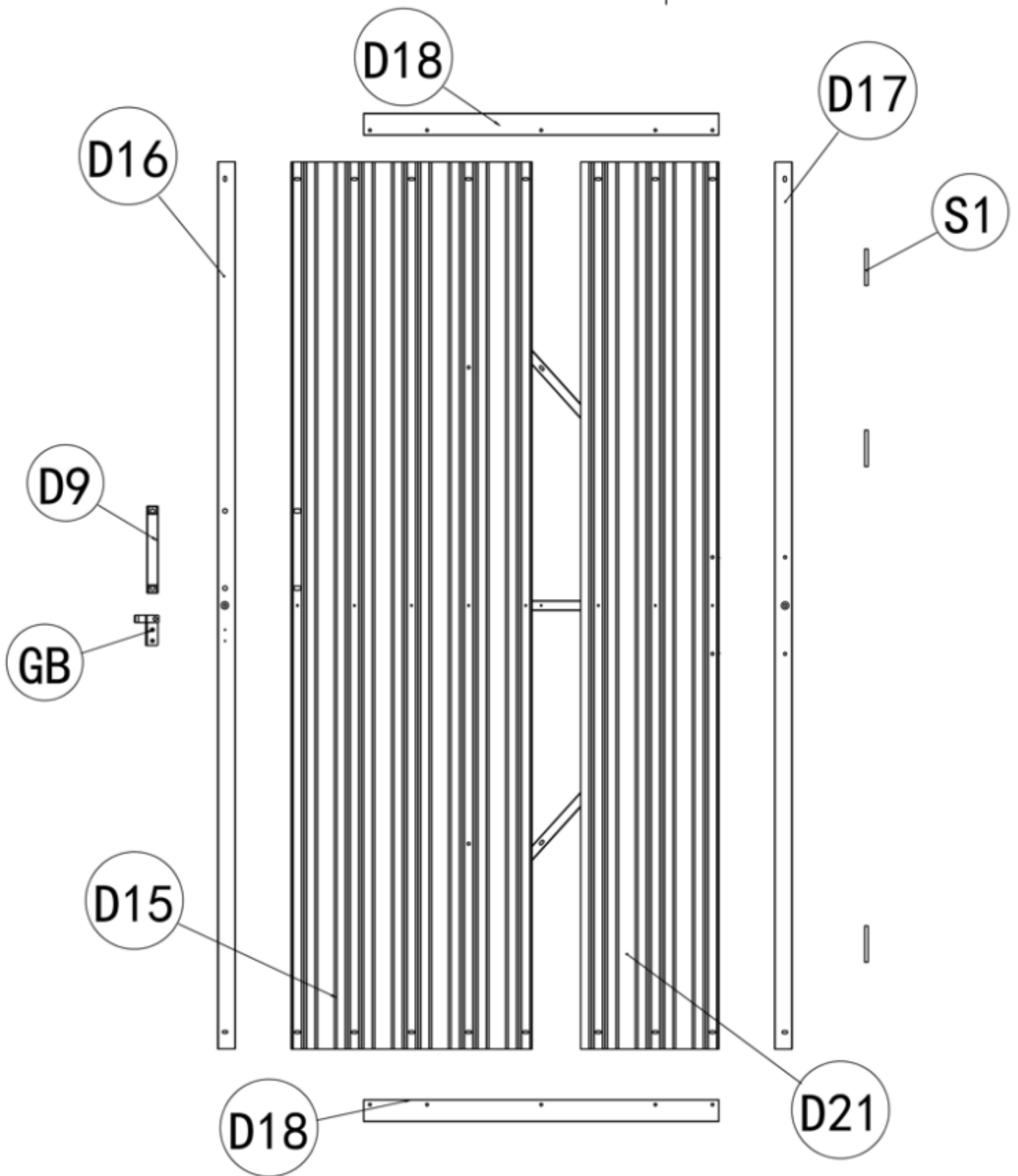


ASSEMBLY INSTRUCTIONS

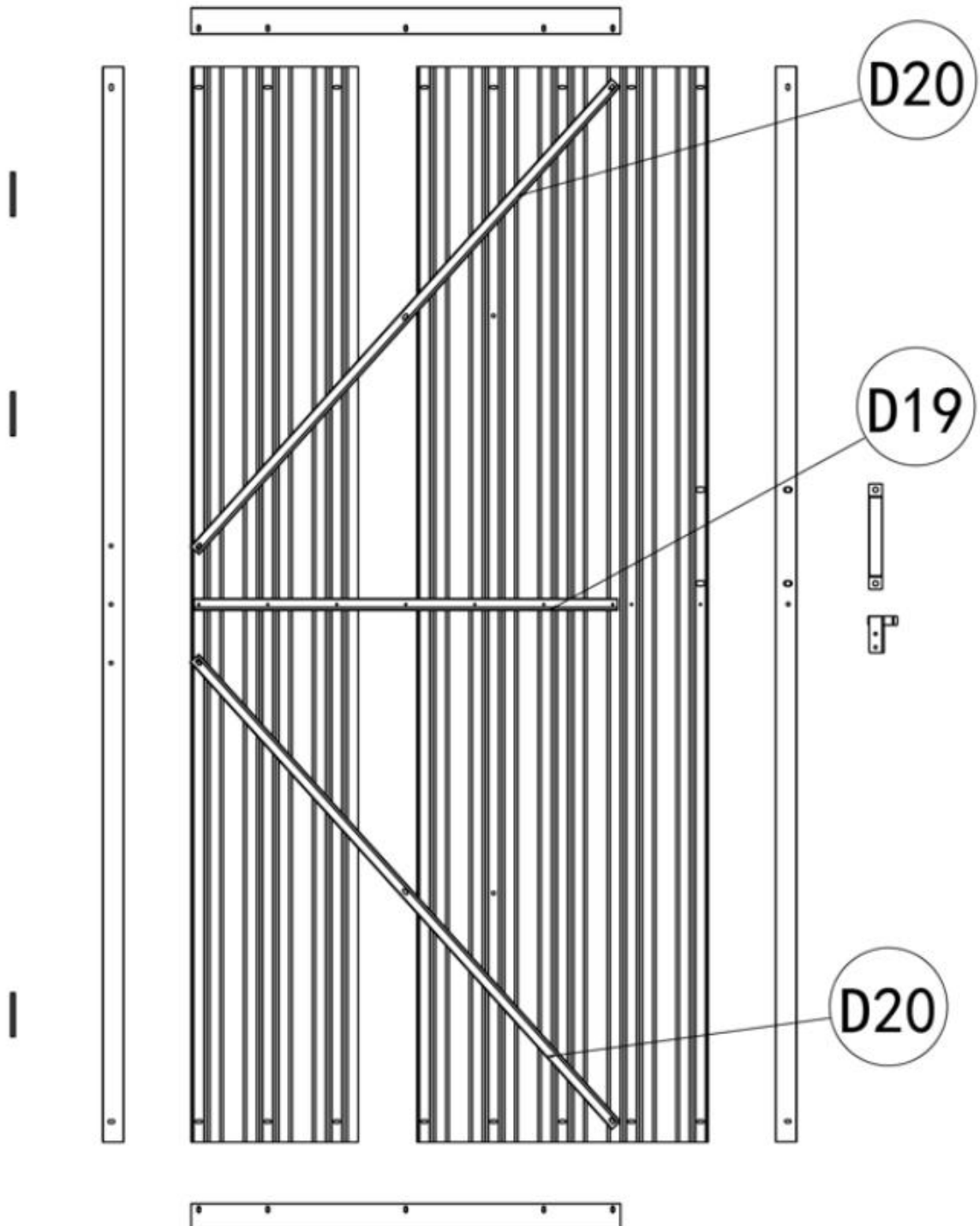




ASSEMBLY INSTRUCTIONS

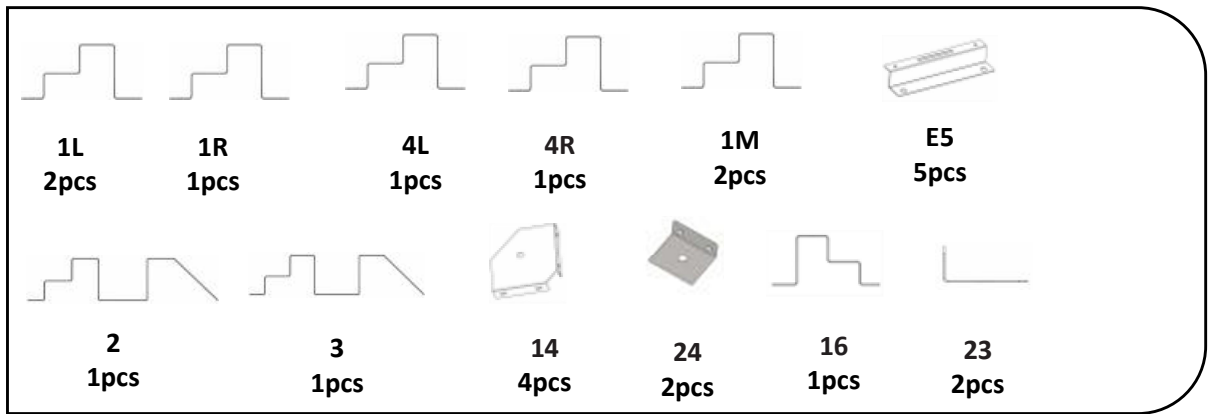


ASSEMBLY INSTRUCTIONS

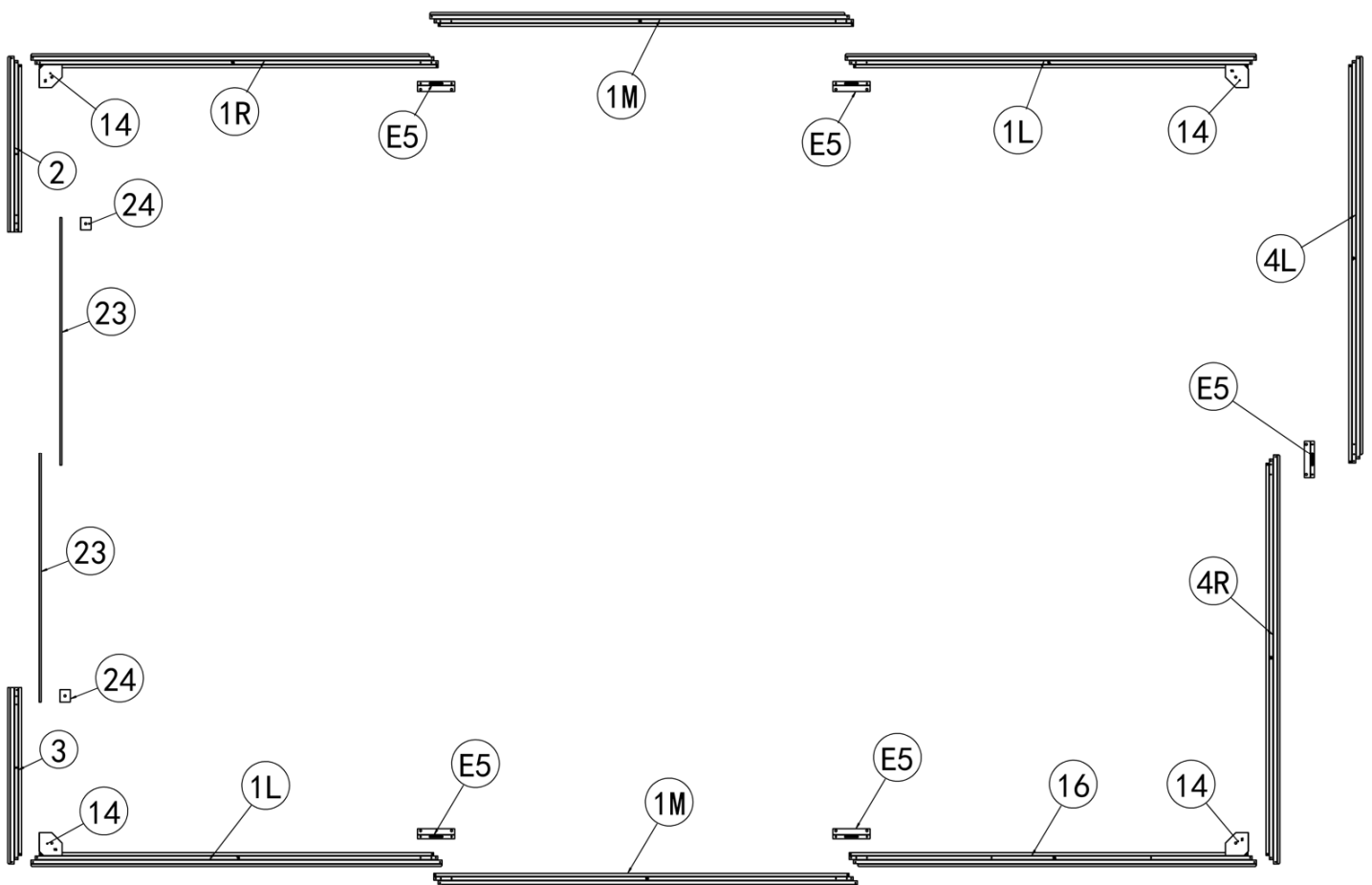


ASSEMBLY INSTRUCTIONS

1



Put all base parts as below picture

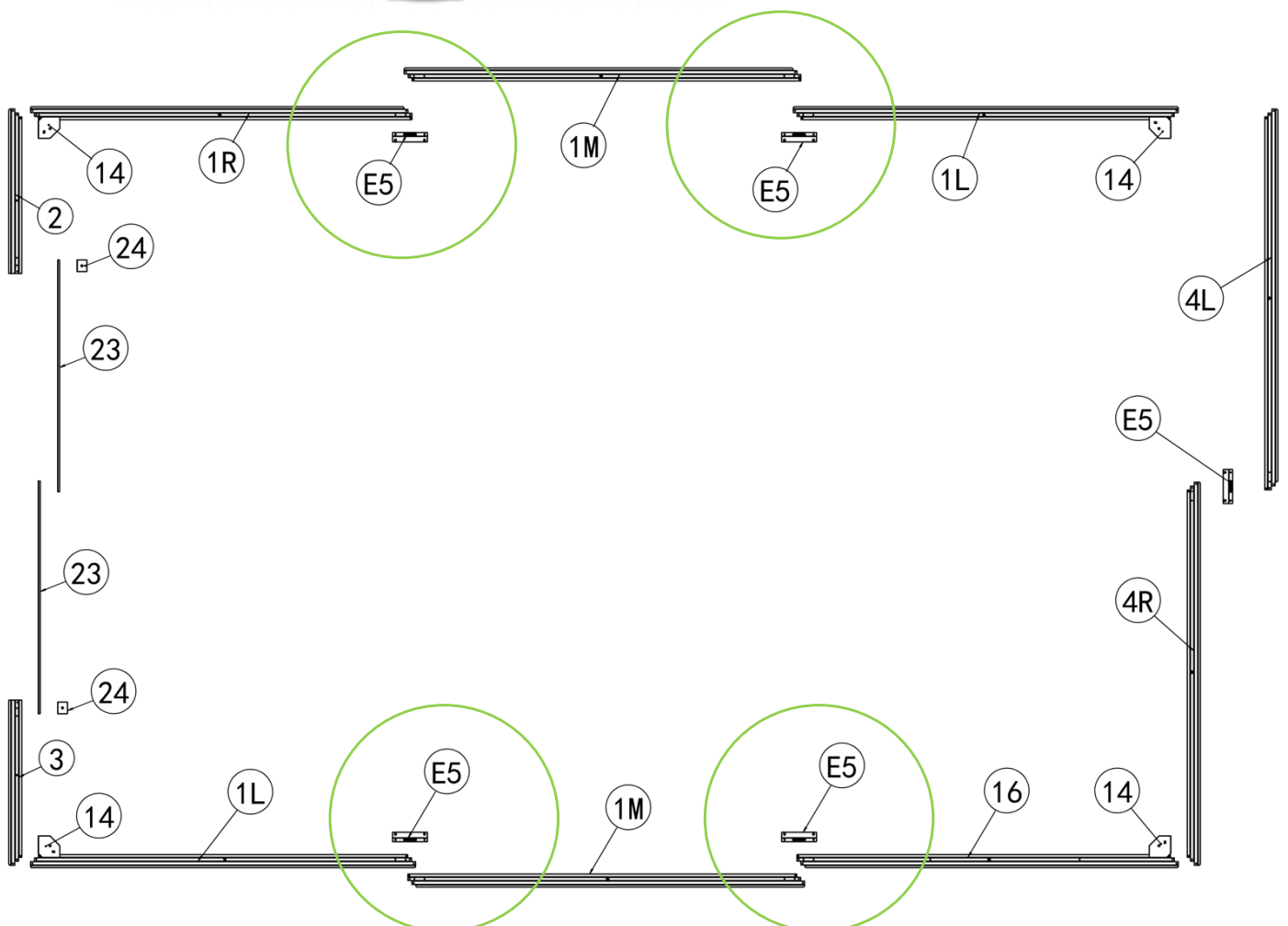
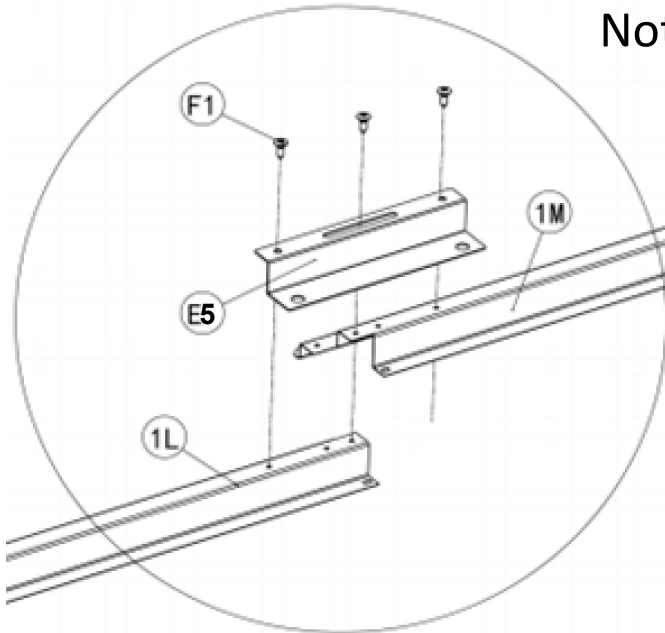


2



F1
15pcs

Note: Fix E5 with F1 screws.



ASSEMBLY INSTRUCTIONS

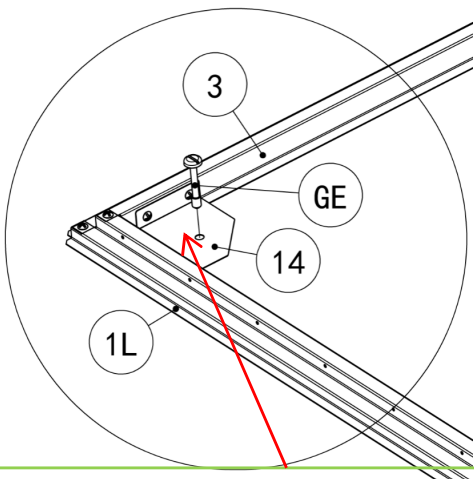
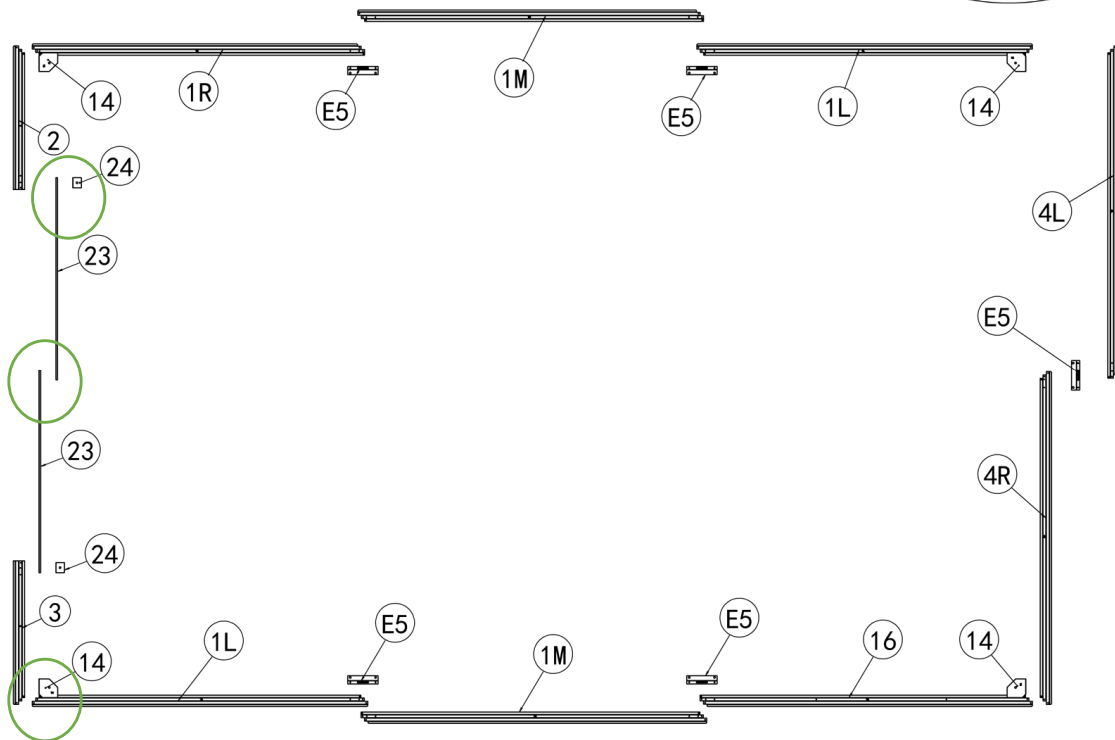
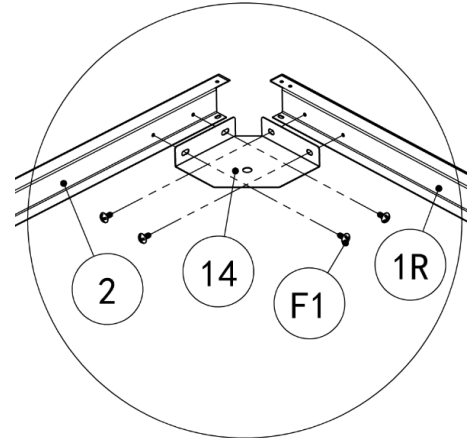
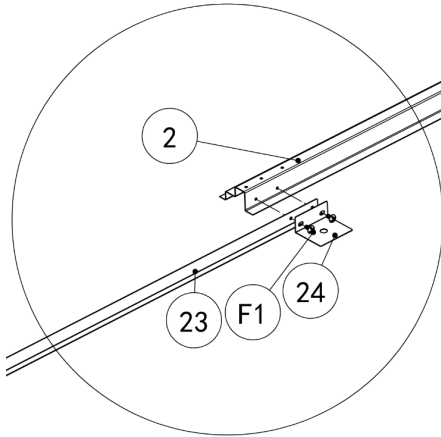
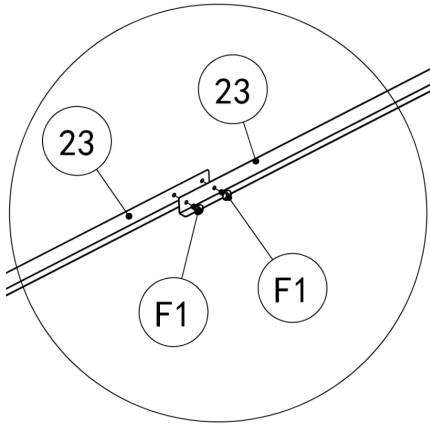
3



F1
18pcs



GE
11pcs



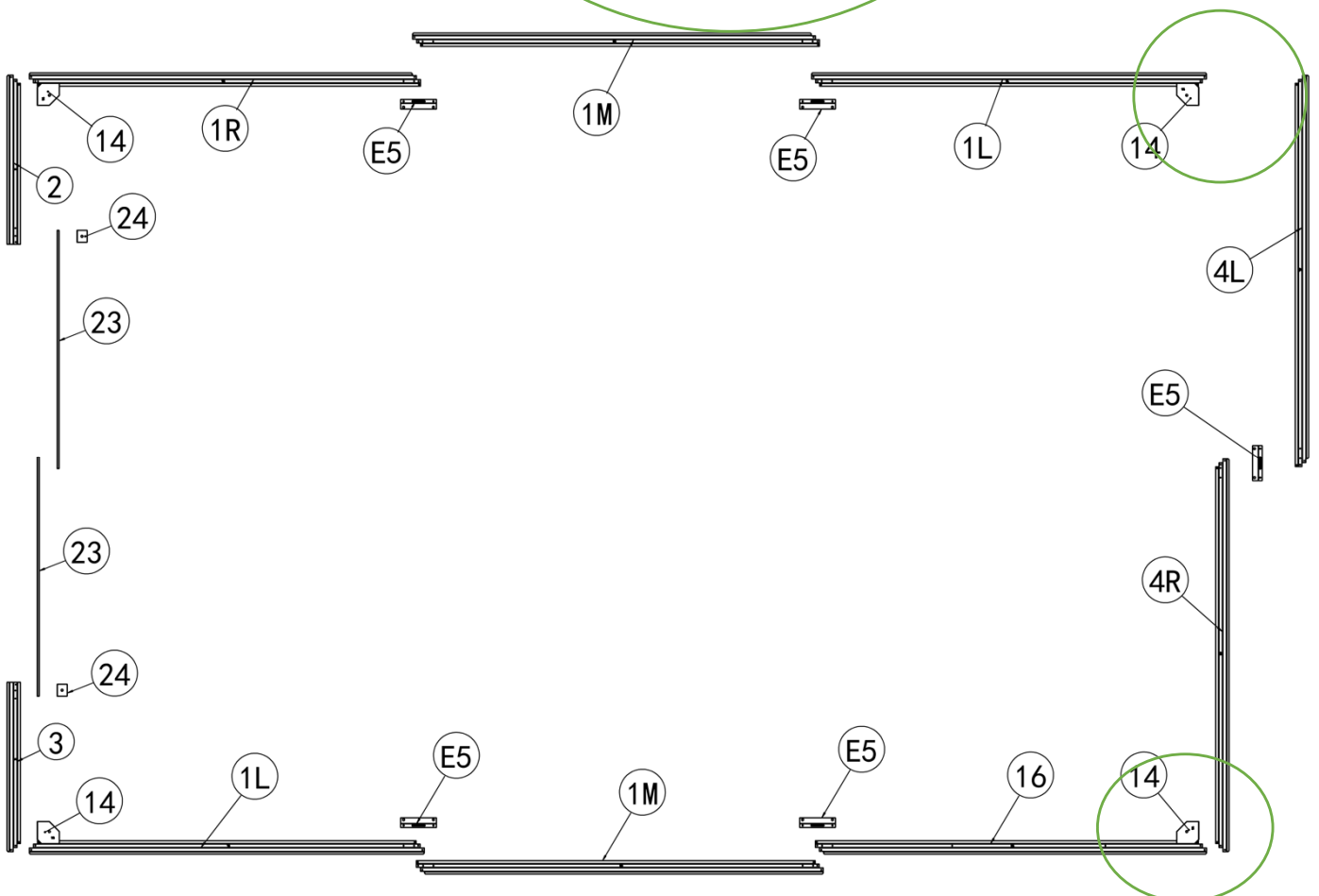
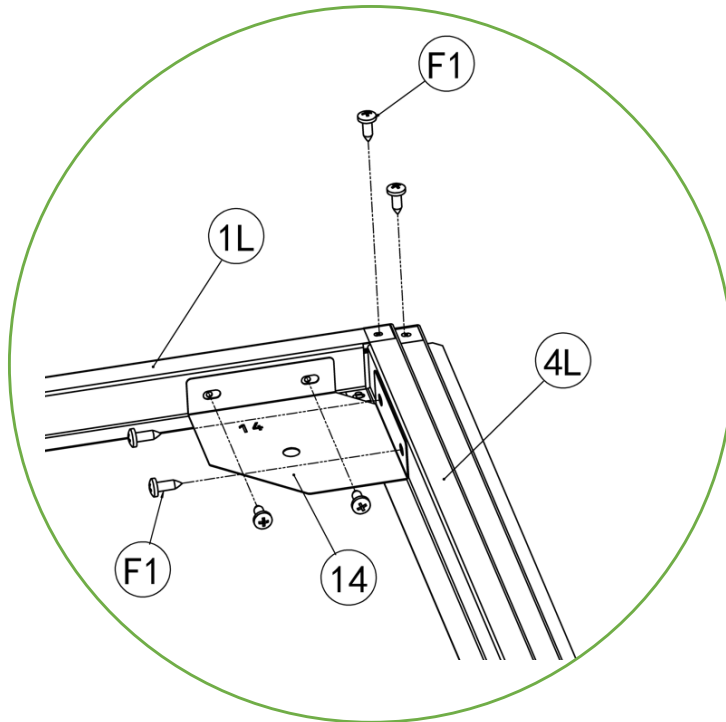
Note: Use expansion bolt GE to fix 14, 24 and E5.

Fix with GE the expansion screws after size confirmation

4



F1
12pcs



5



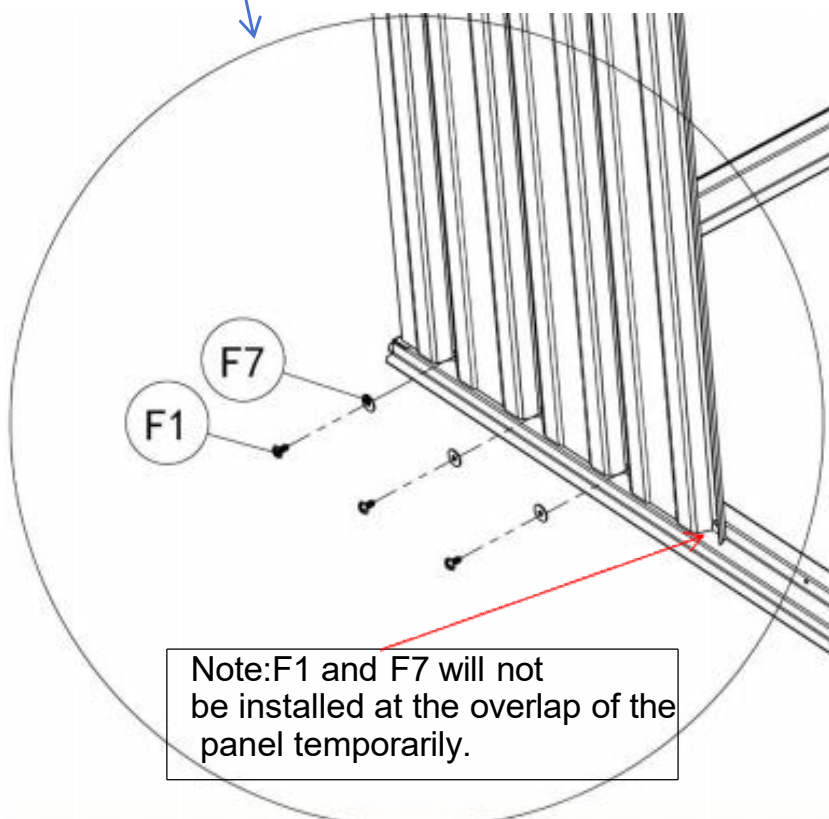
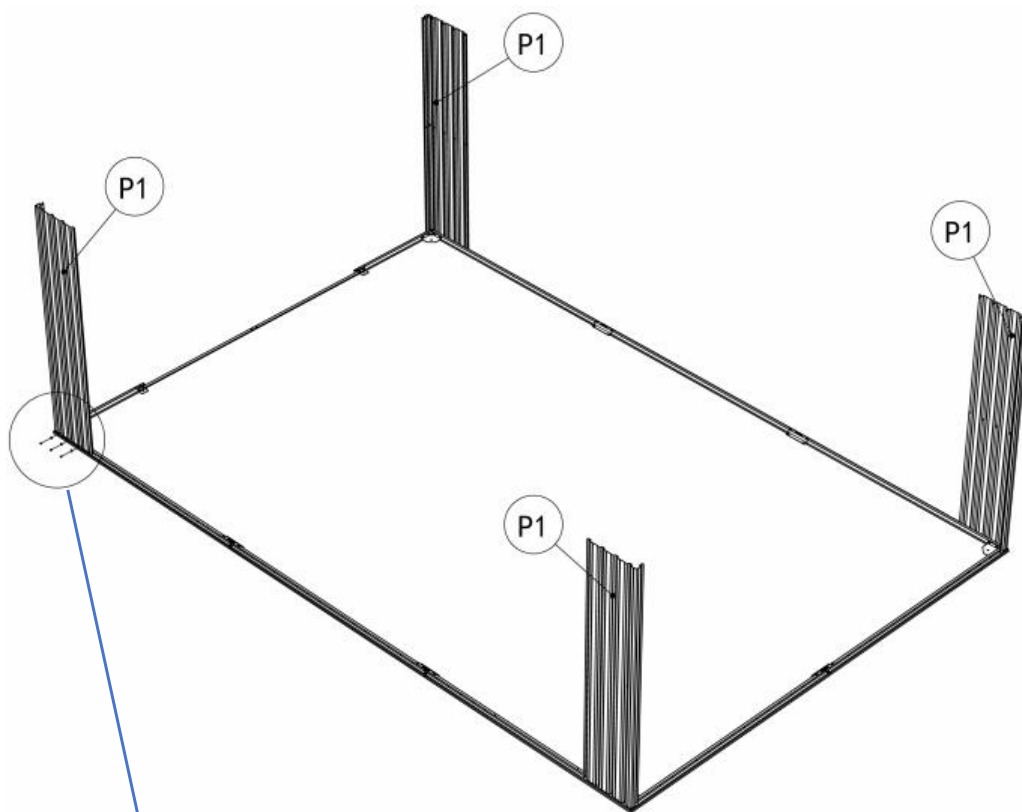
F1
12pcs



F7
12pcs



P1
4pcs



ASSEMBLY INSTRUCTIONS

6



F1
28pcs



F7
24pcs



P2
2pcs



12L
2pcs



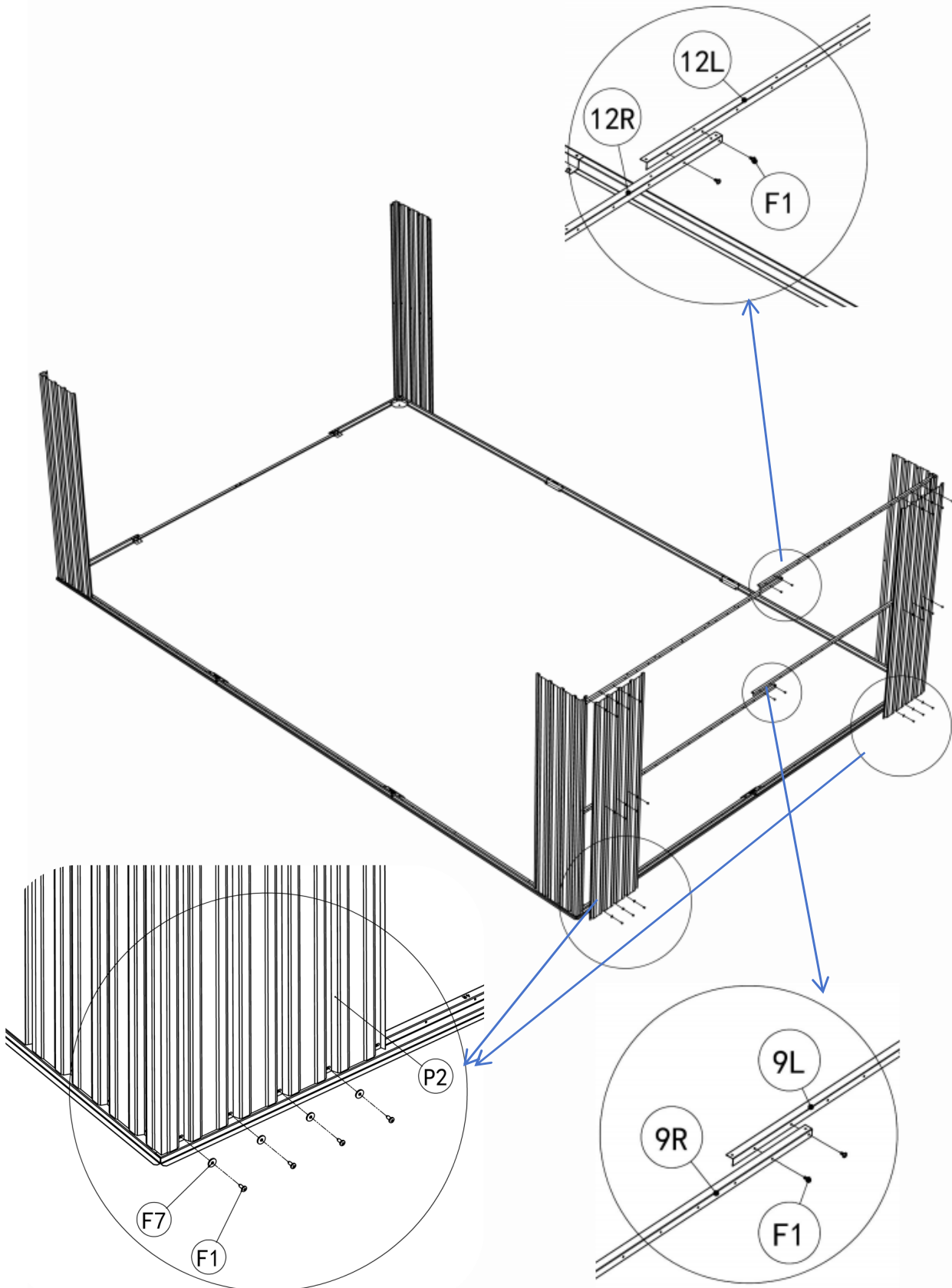
12R
2pcs



9L
2pcs



9R
2pcs



7



F1
12pcs



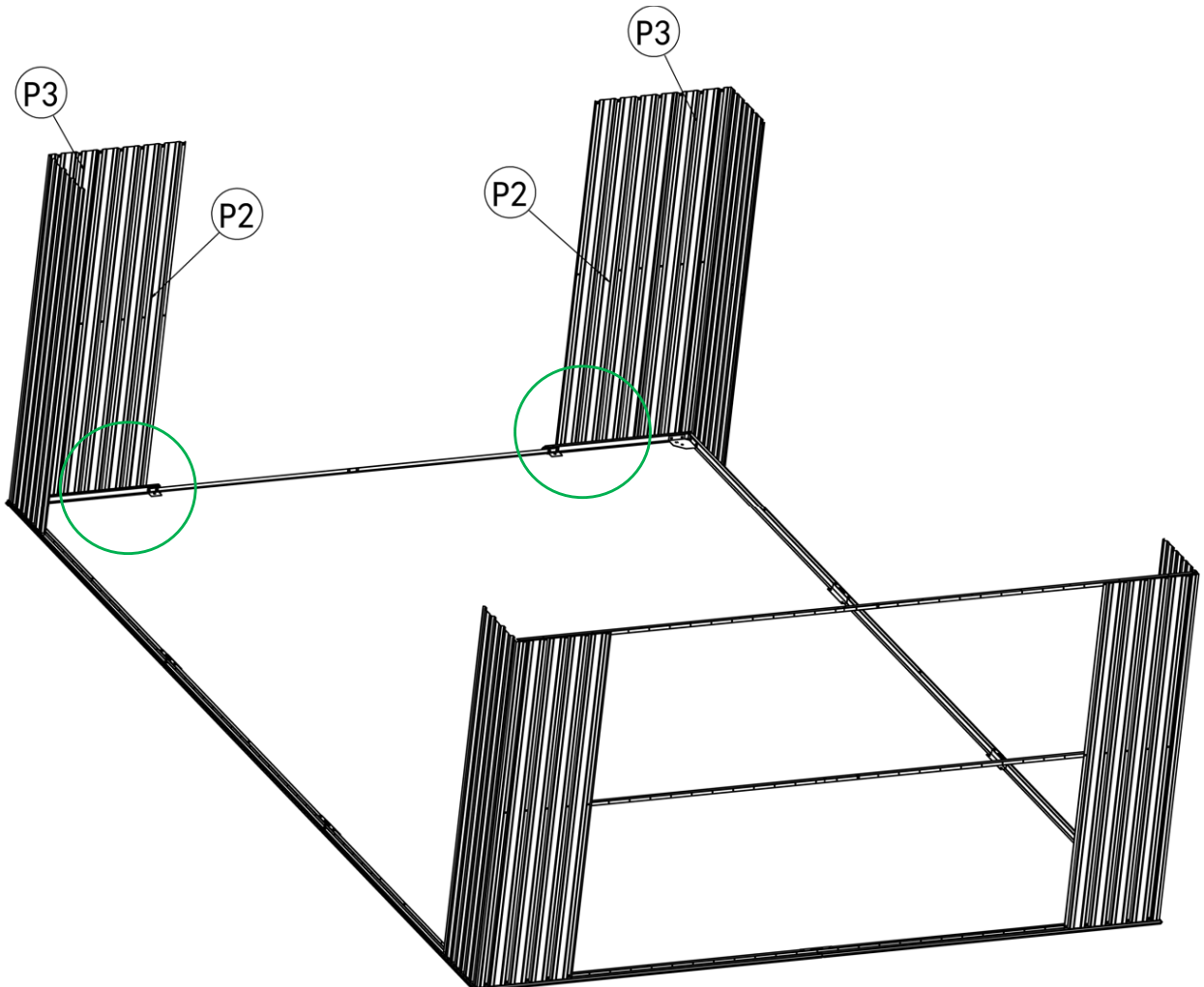
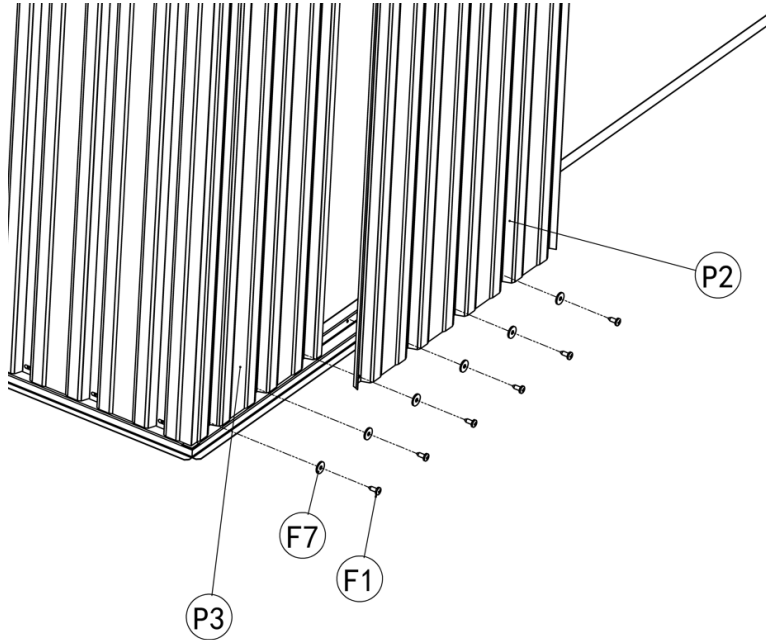
F7
12pcs



P3
2pcs



P2
2pcs



8



F1
12pcs



F7
12pcs



10L
1pcs



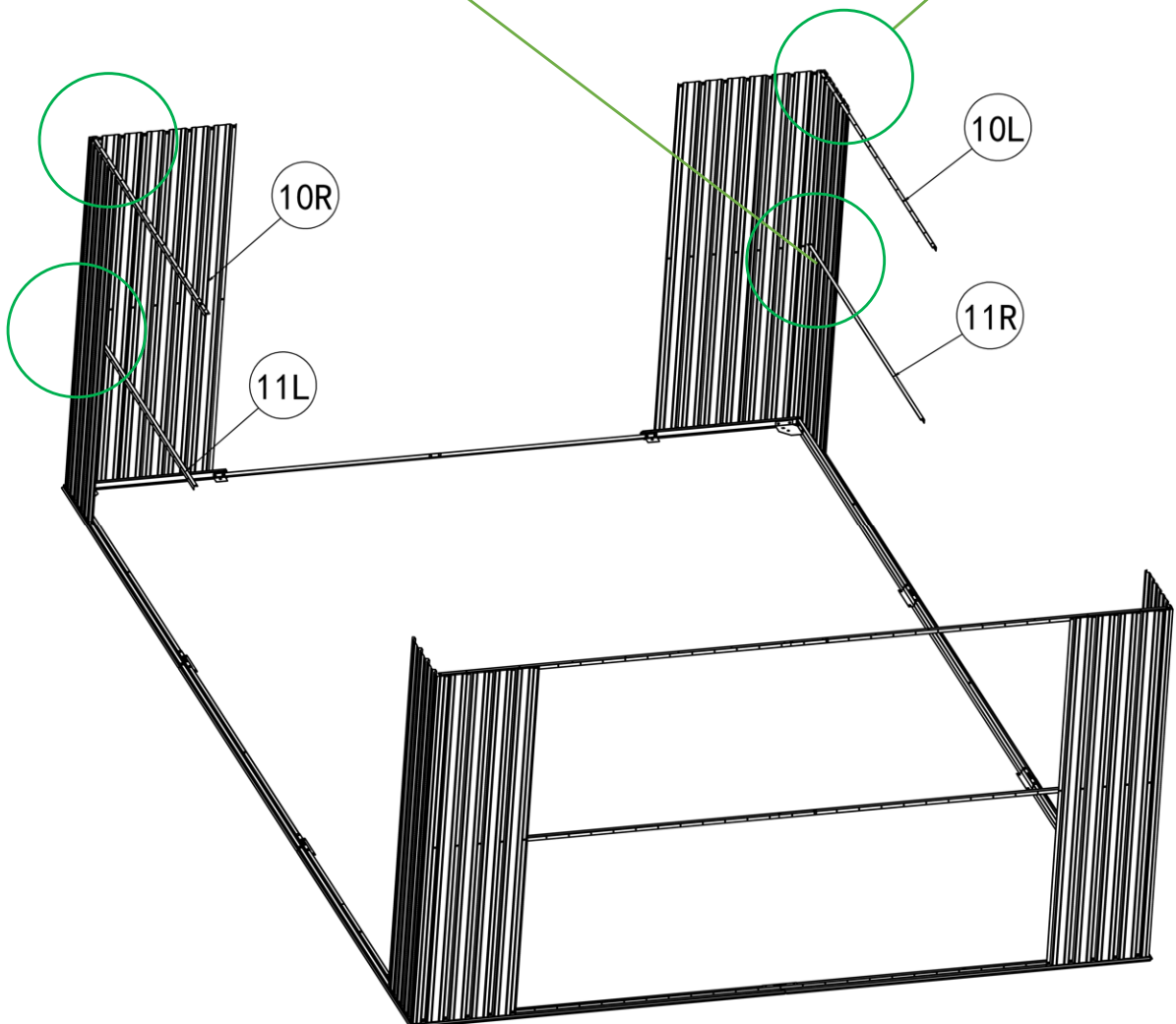
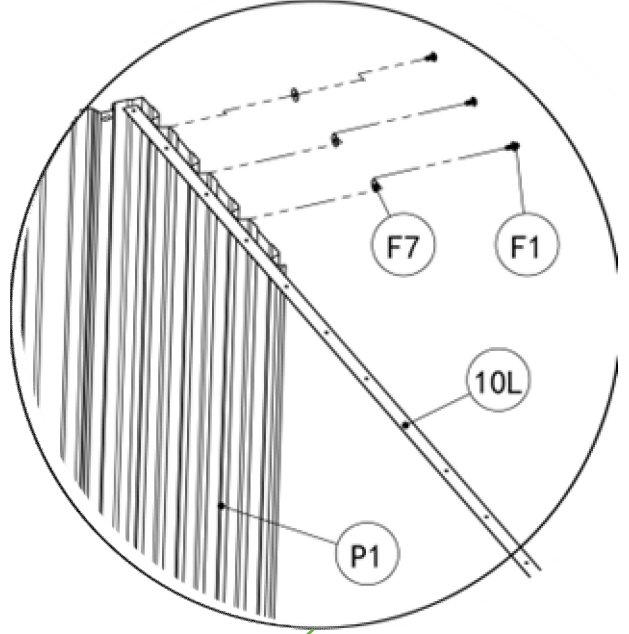
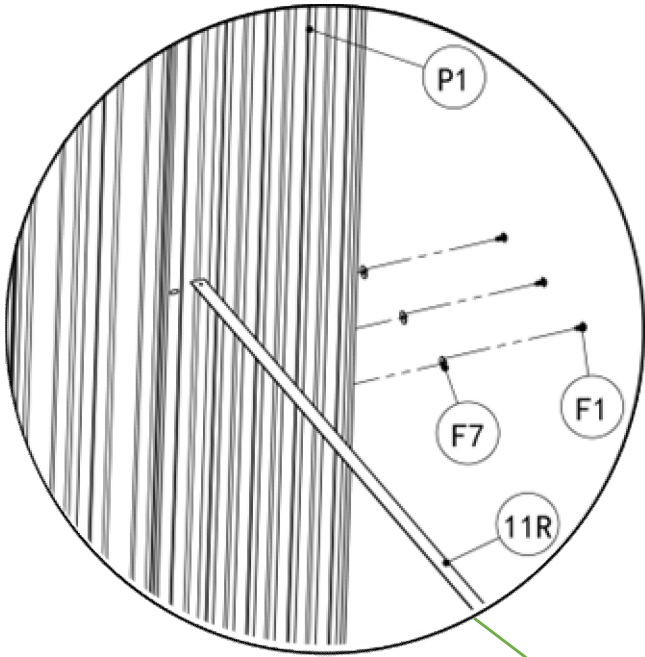
10R
1pcs



11L
1pcs



11R
1pcs



9



F1
14pcs



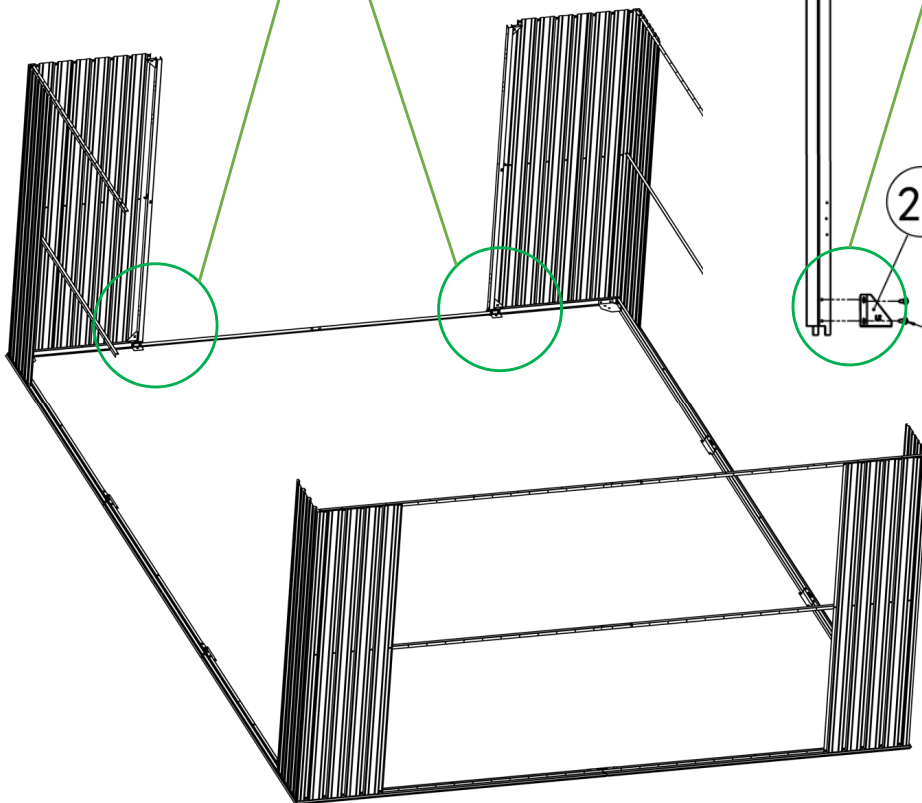
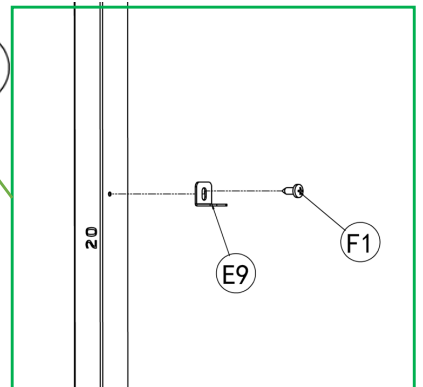
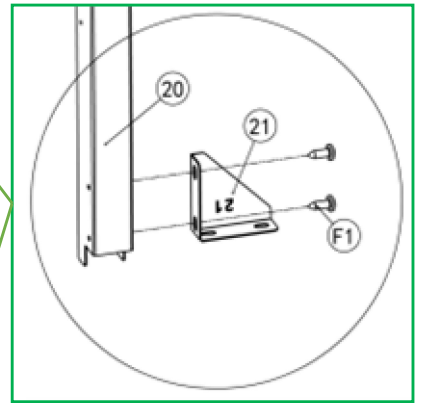
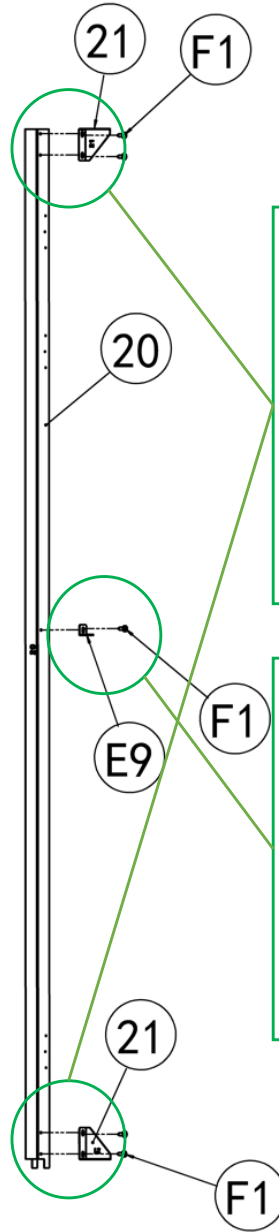
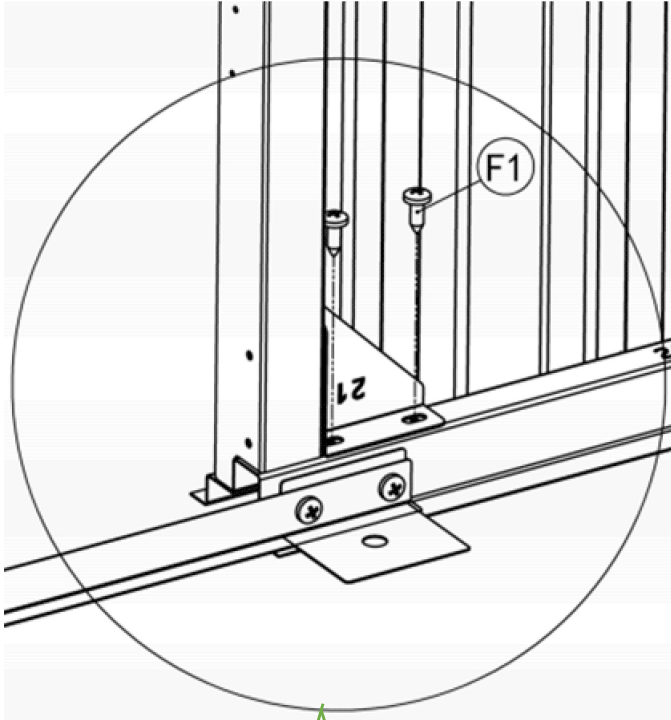
20
2pcs



21
4pcs



E9
2pcs



10



F1
16pcs



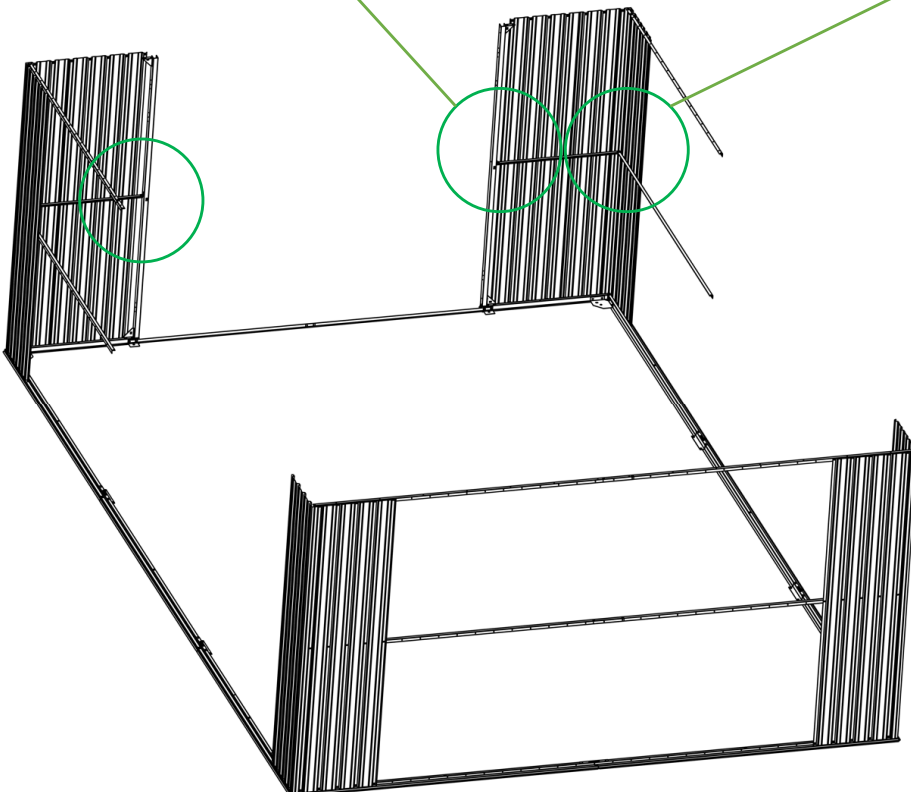
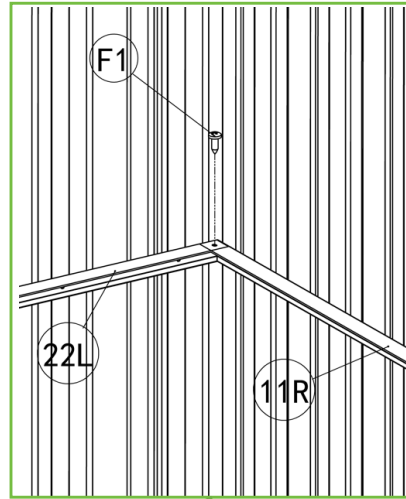
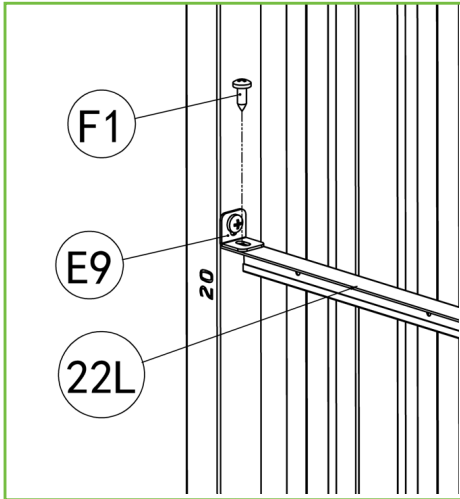
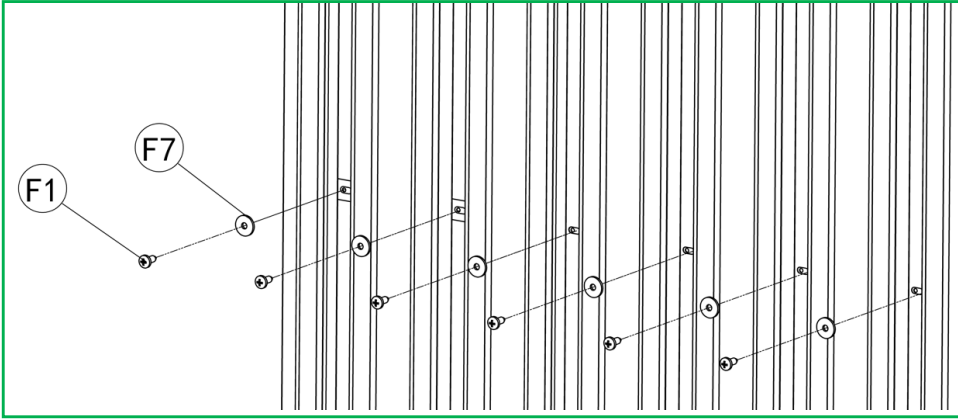
22L
1pcs



22R
1pcs



F7
12pcs



11



F1
2pcs



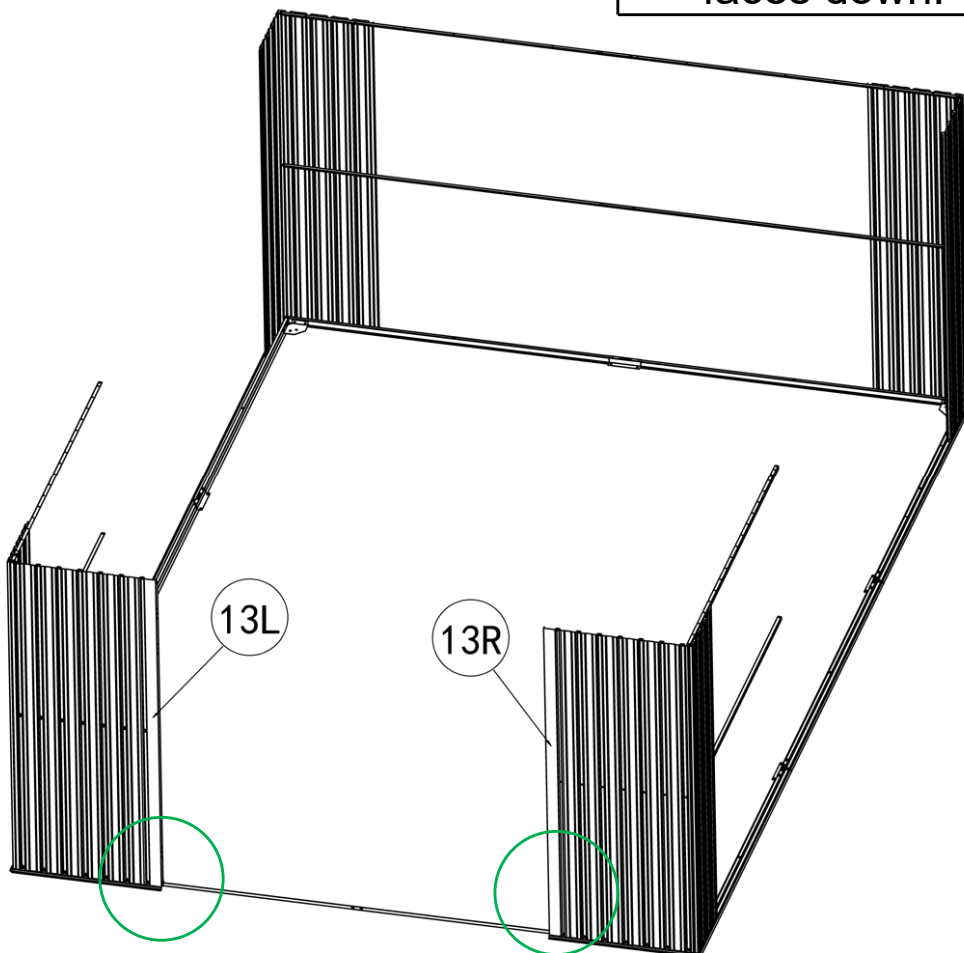
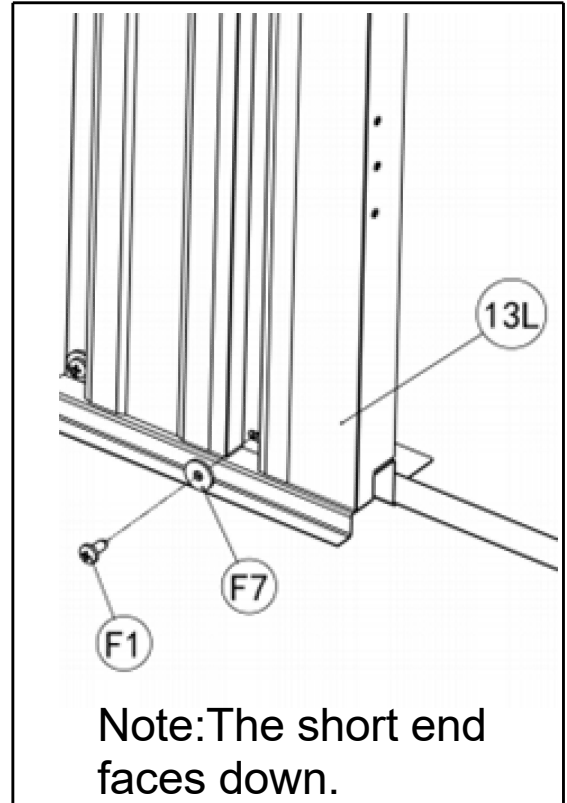
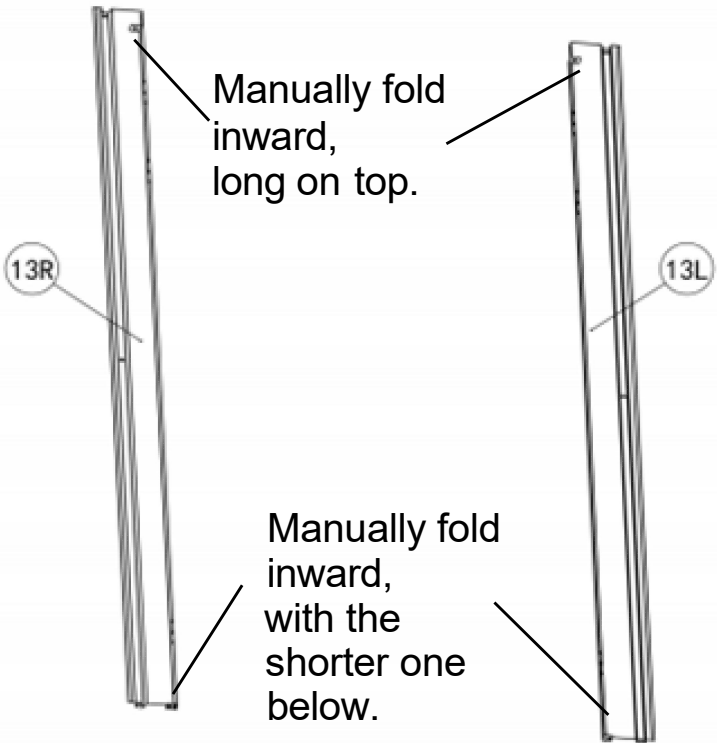
F7
2pcs



13L
1pcs



13R
1pcs



12



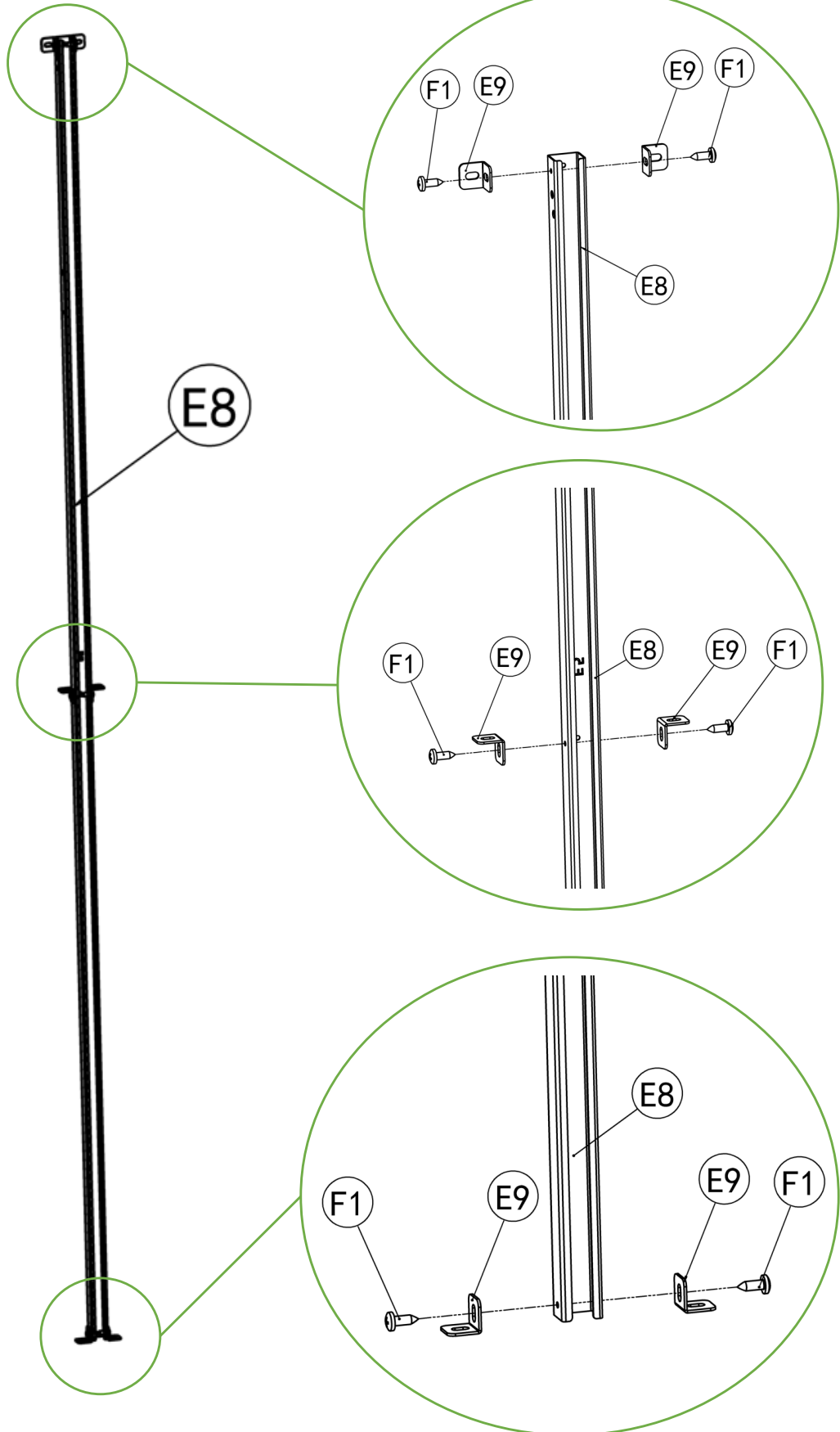
F1
24pcs



E8
4pcs



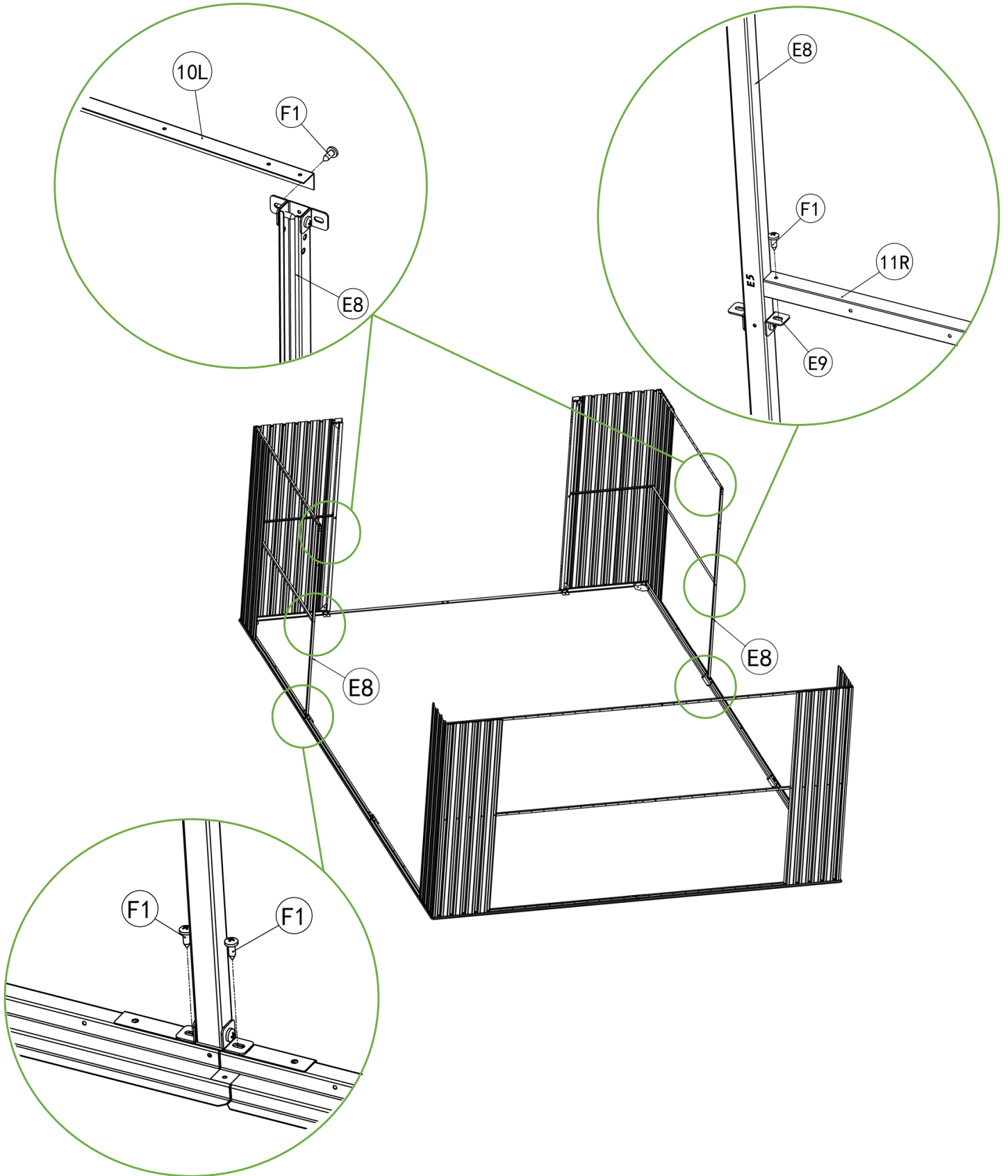
E9
24pcs



13



F1
8pcs



ASSEMBLY INSTRUCTIONS

14



F1
12pcs



10M
1pcs



10R
1pcs



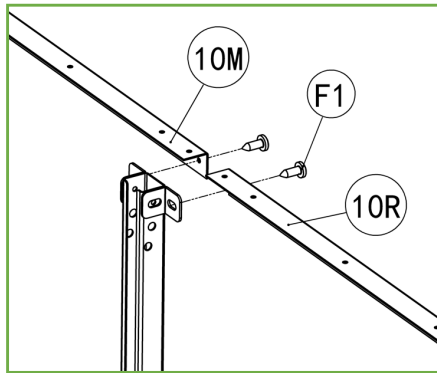
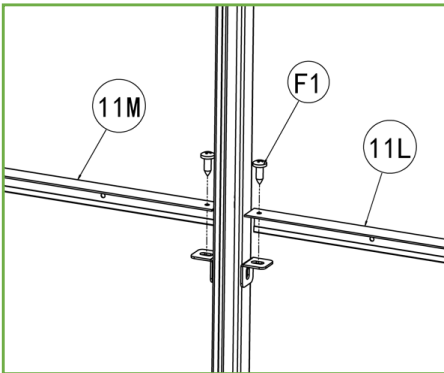
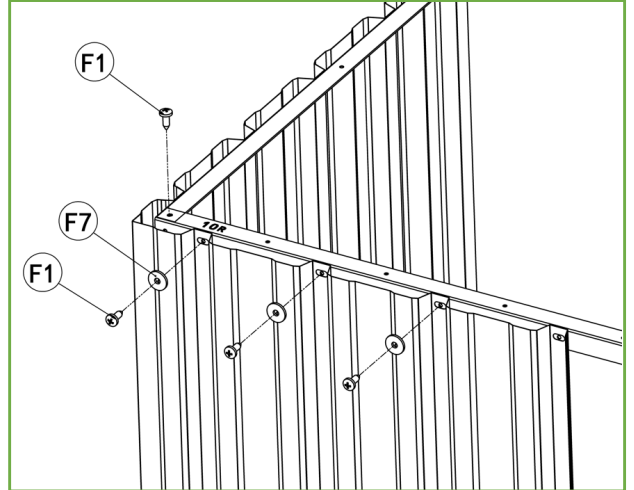
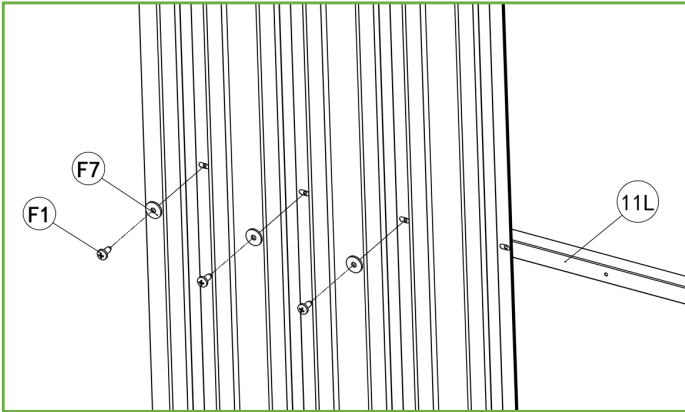
11L
1pcs



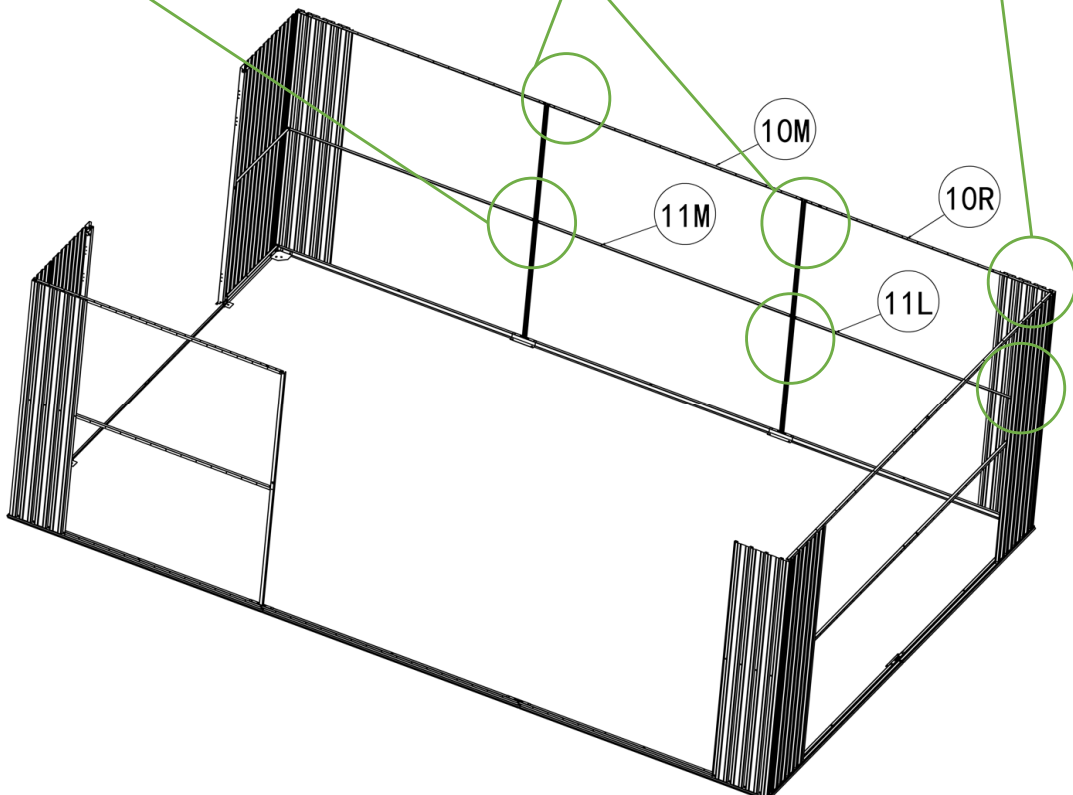
11M
1pcs



F7
6pcs



Right wall



ASSEMBLY INSTRUCTIONS

15



F1
13pcs



F7
6pcs



18
1pcs



19
1pcs



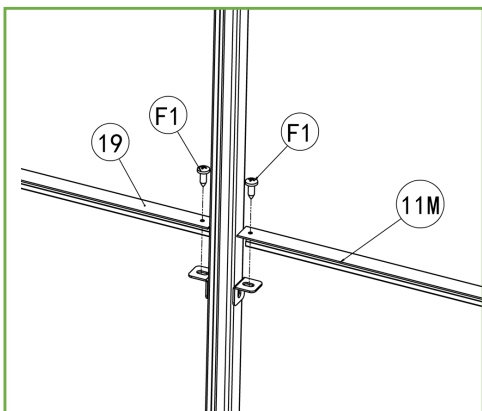
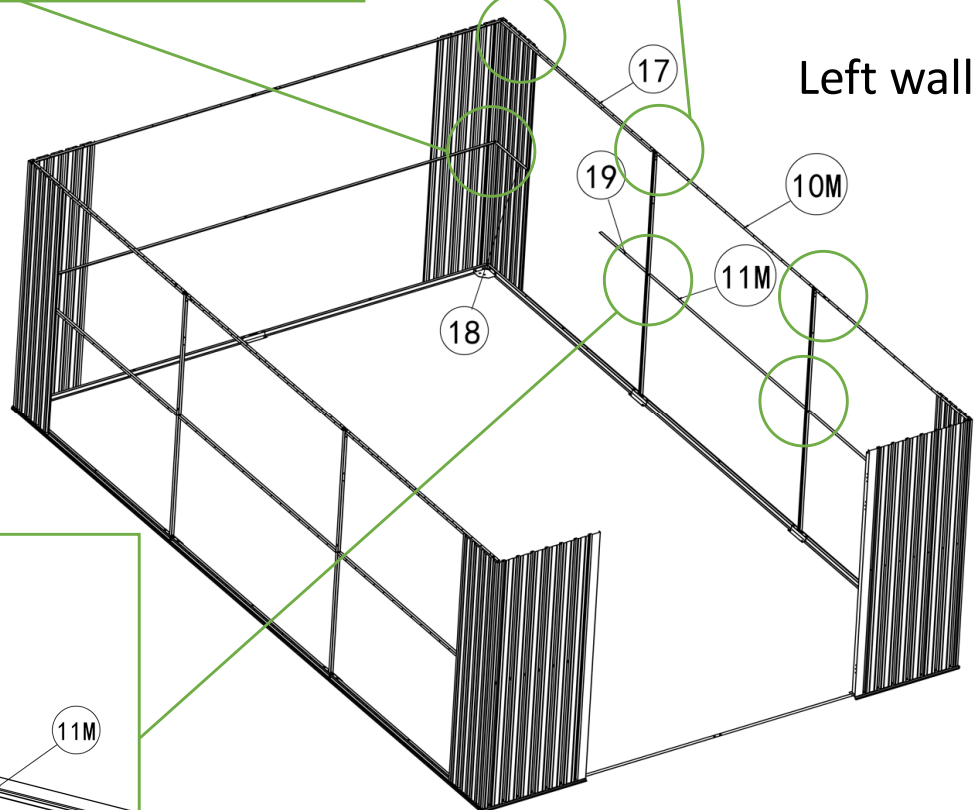
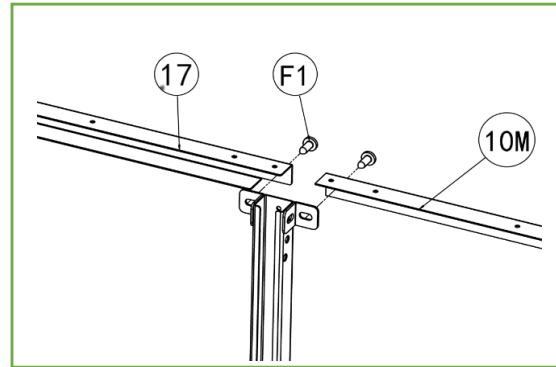
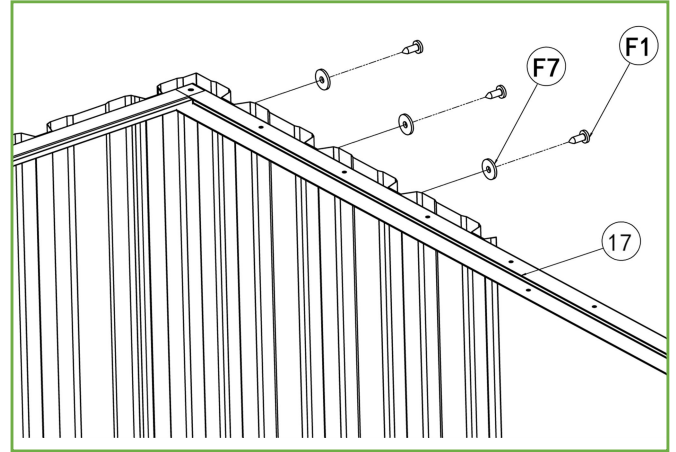
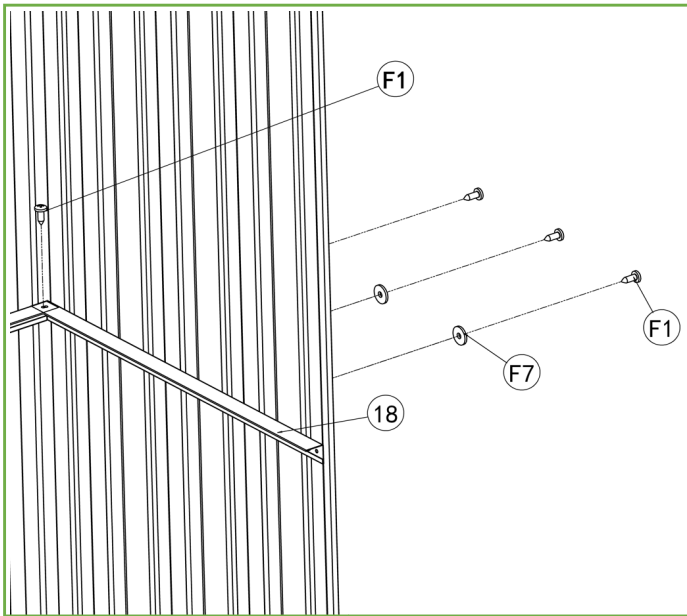
17
1pcs



10M
1pcs



11M
1pcs



16



F1
18pcs



F7
6pcs



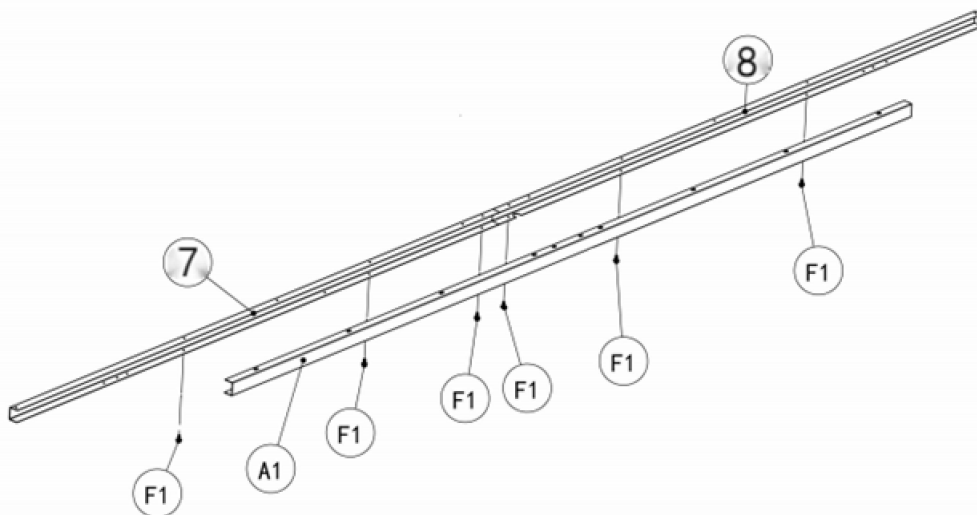
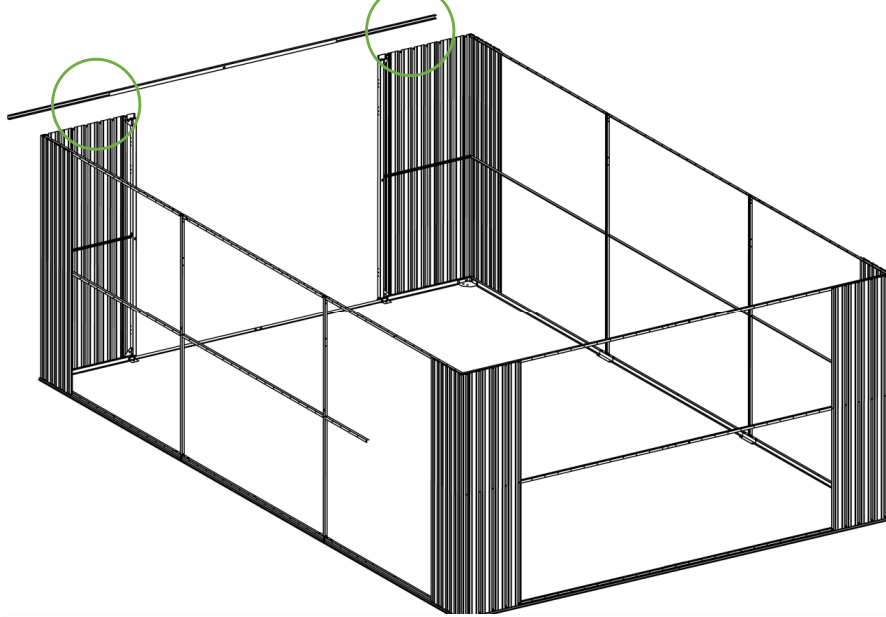
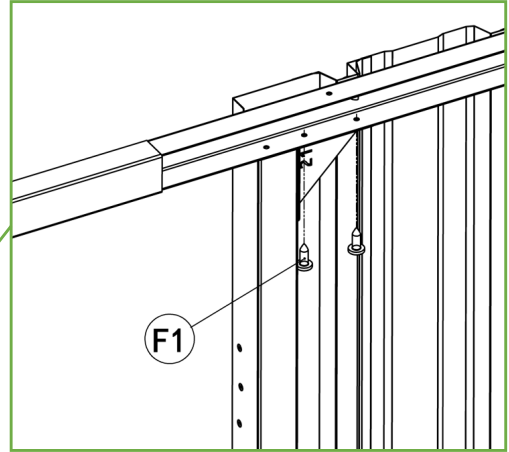
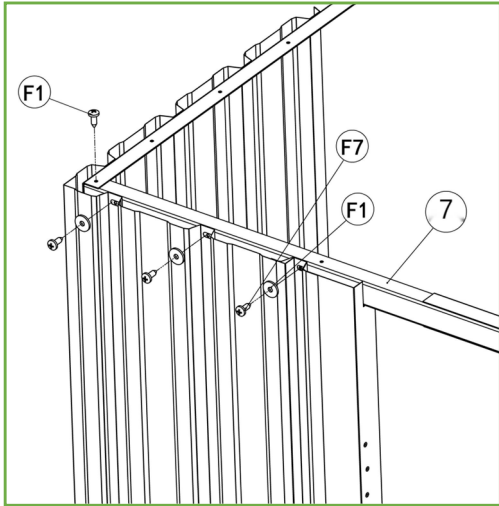
7
1pcs



8
1pcs



A1
1pcs



ASSEMBLY INSTRUCTIONS

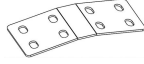
17



F2
48pcs



F6
48pcs



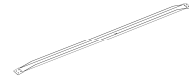
E10
2pcs



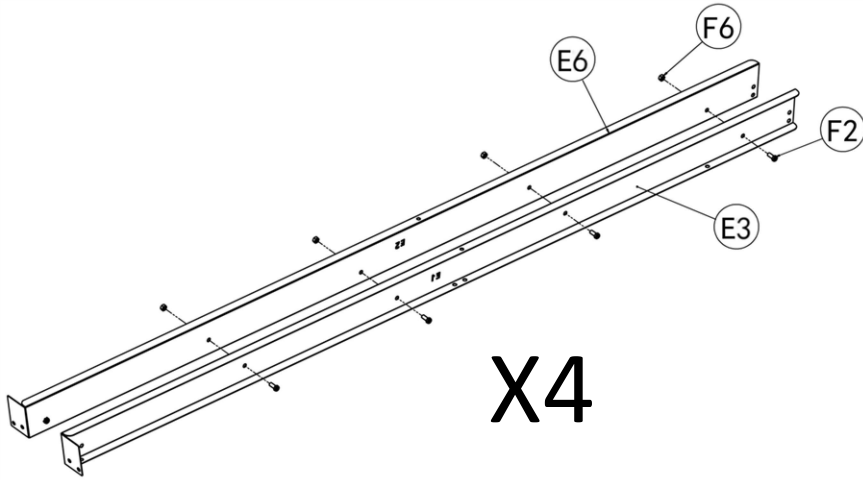
E3
4pcs



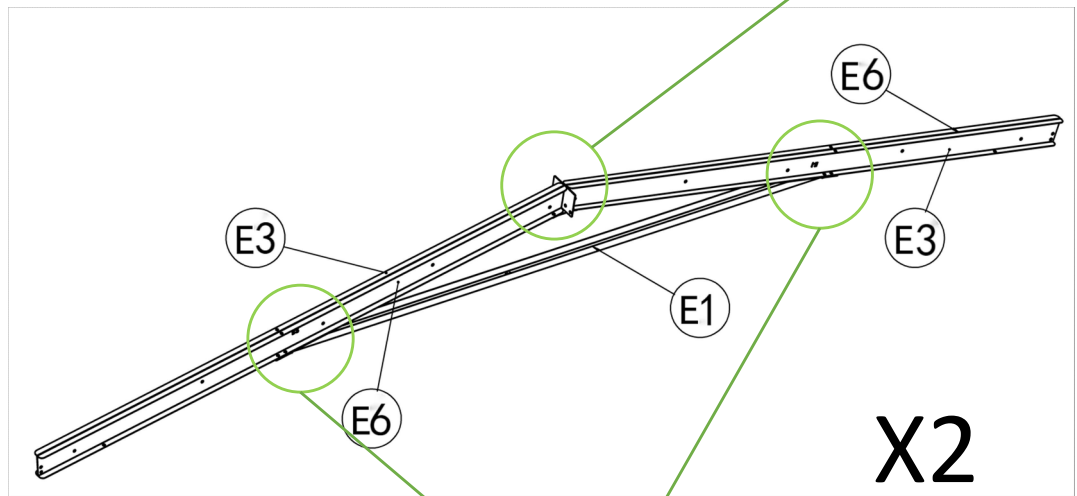
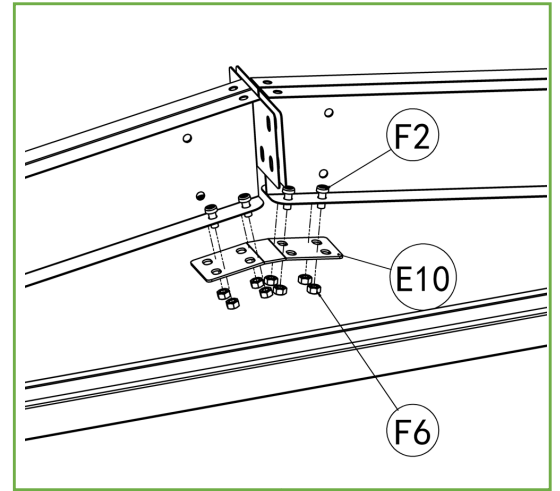
E6
4pcs



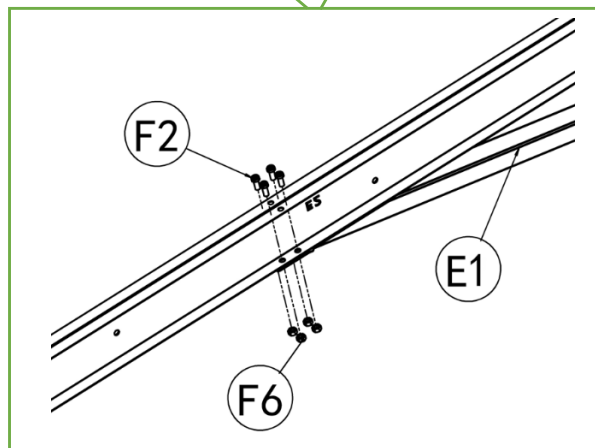
E1
2pcs



X4



X2



18



F1
8pcs



F6
12pcs



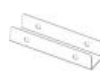
F16
12pcs



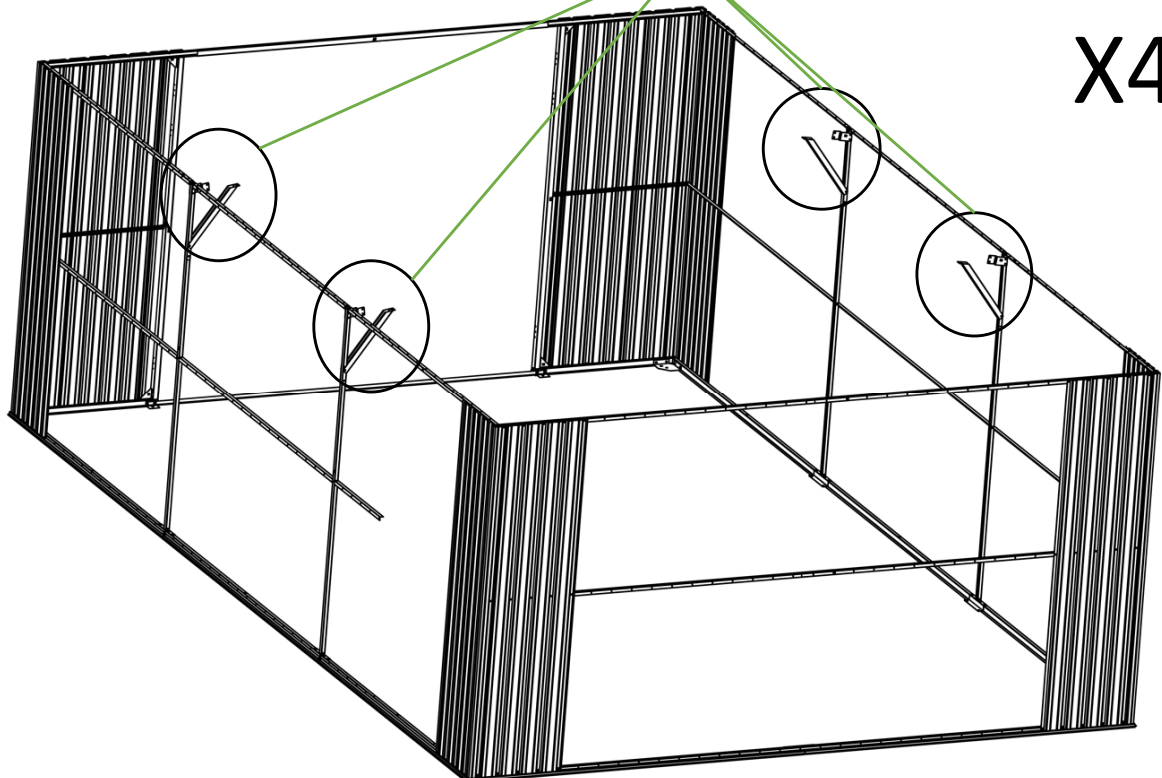
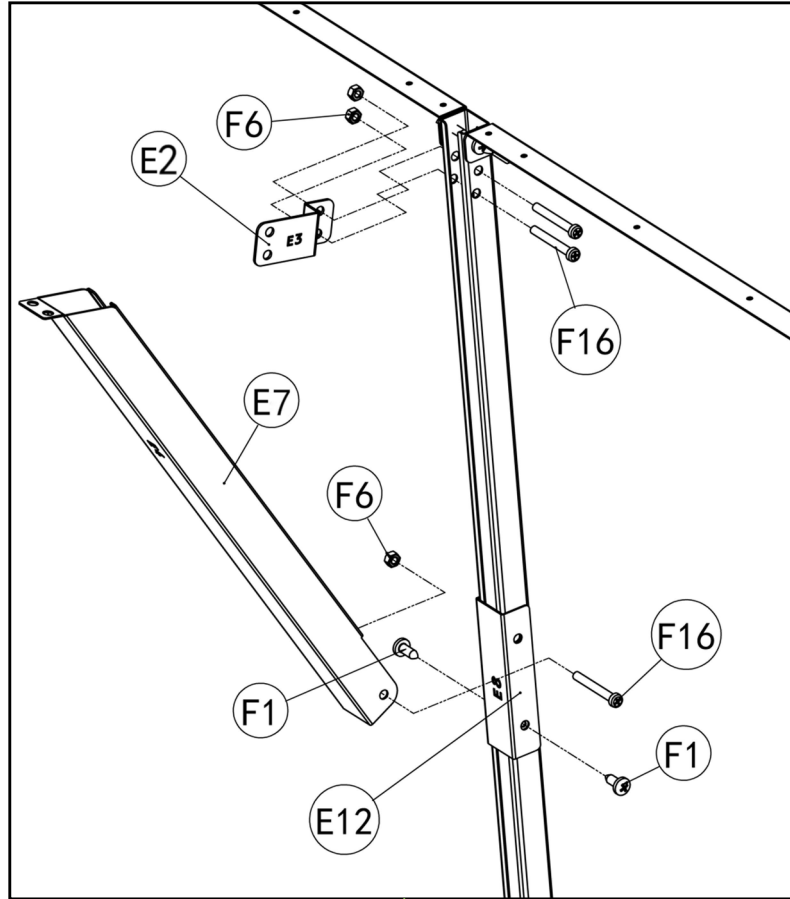
E2
4pcs



E7
4pcs



E12
4pcs



X4

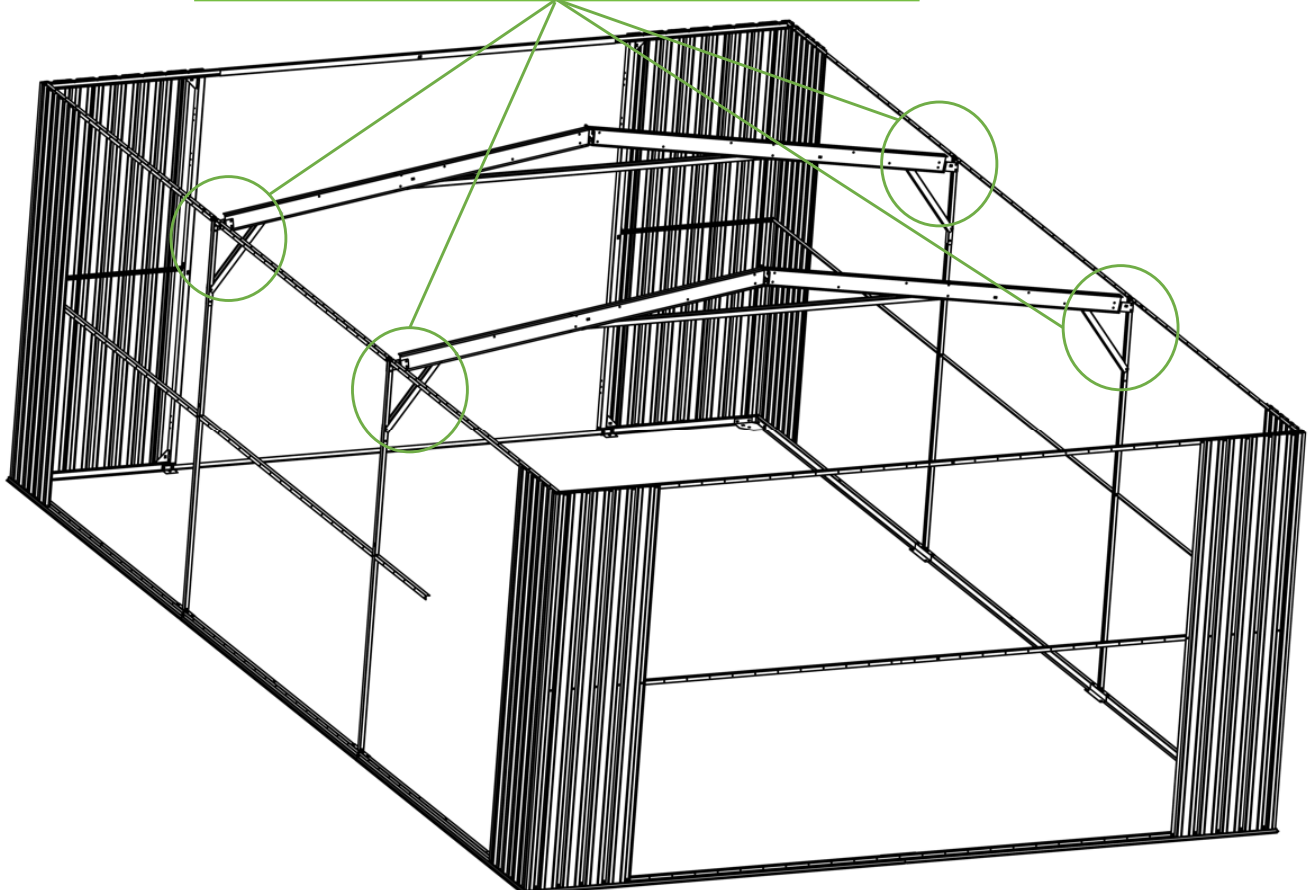
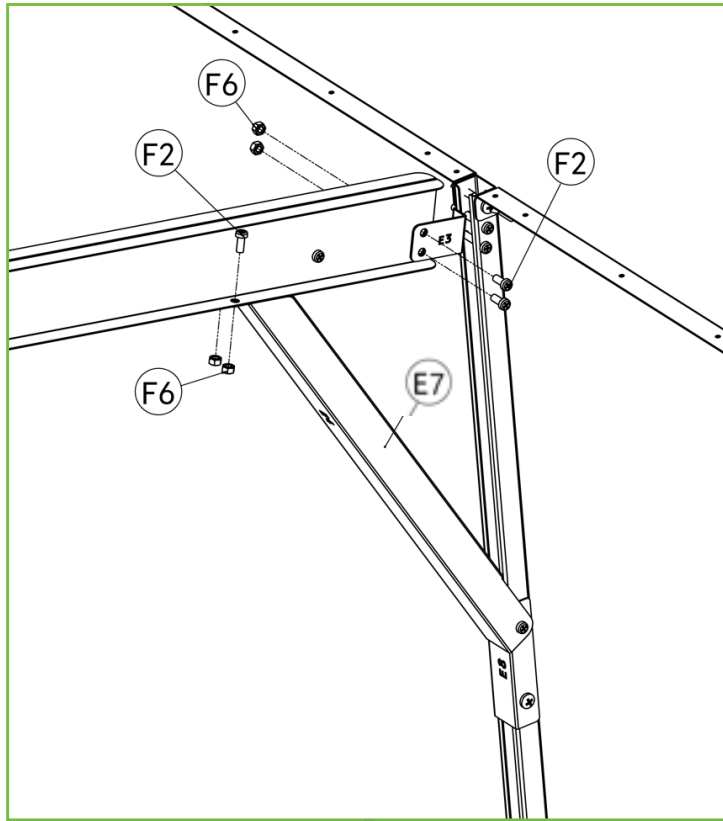
19



F2
16pcs



F6
16pcs



ASSEMBLY INSTRUCTIONS

20



F2
4pcs



F6
4pcs



APL
2pcs



APR
2pcs



PL
4pcs



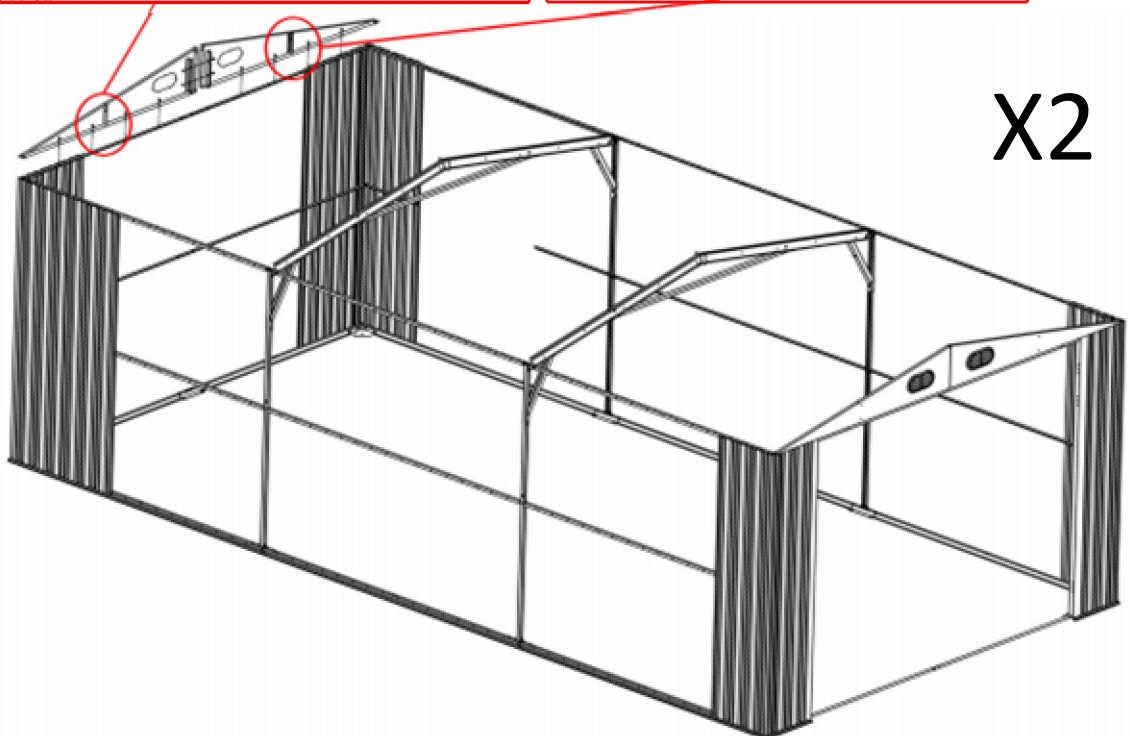
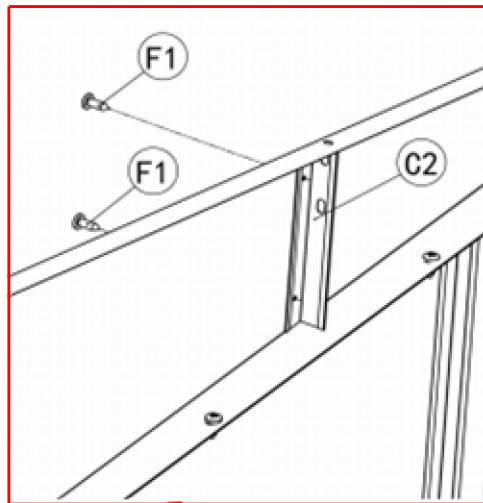
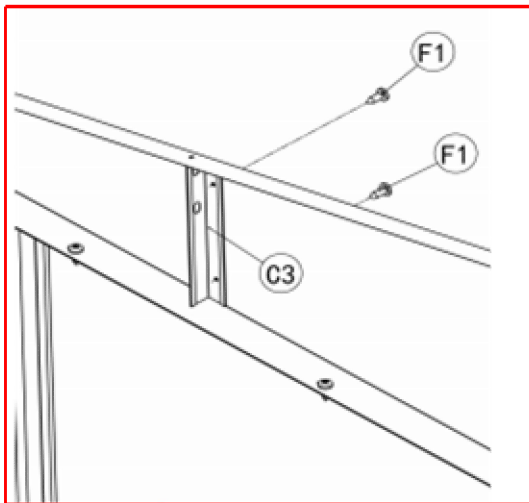
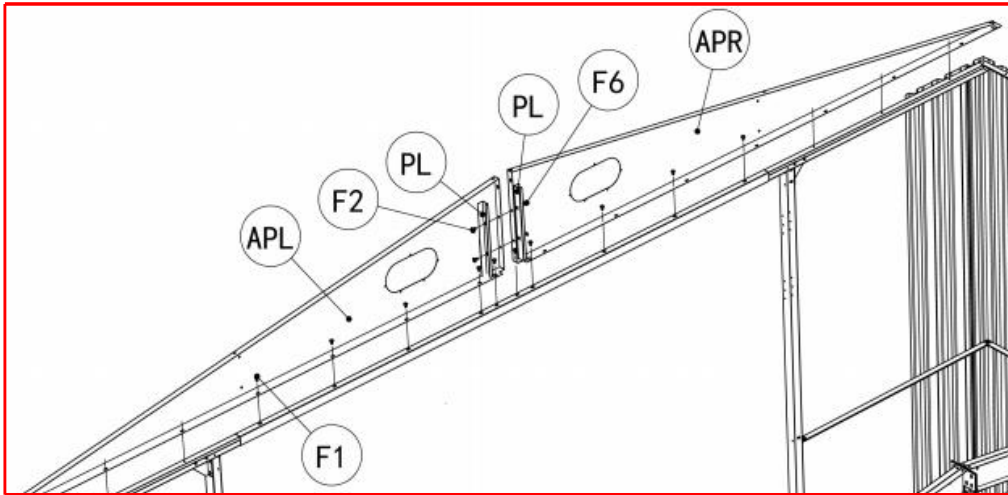
C2
2pcs



C3
2pcs



F1
36pcs



X2

21



F2
8pcs



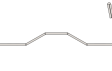
F6
8pcs



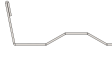
ABL
1pcs



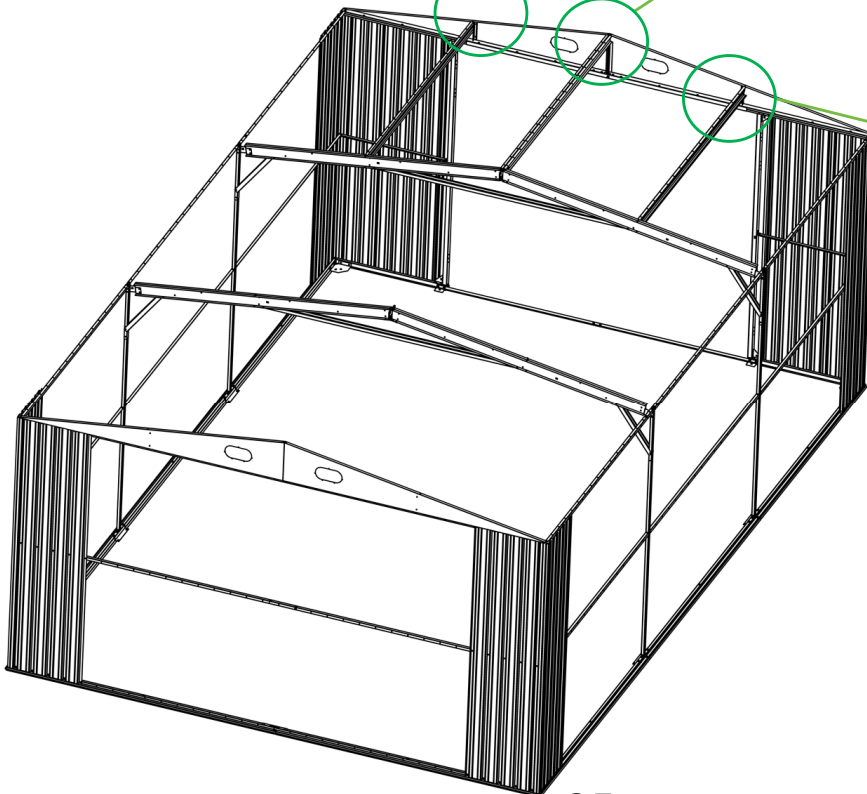
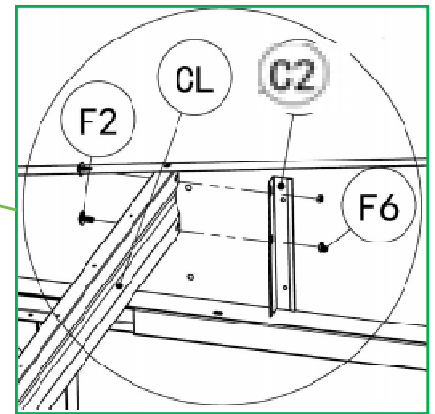
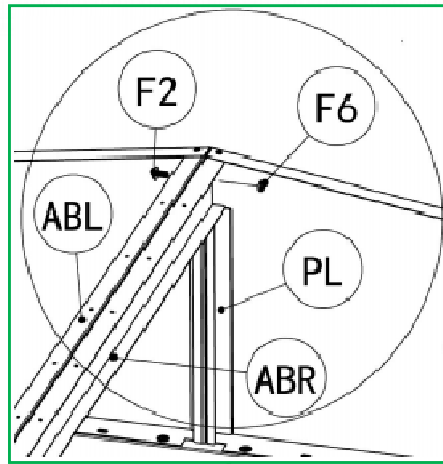
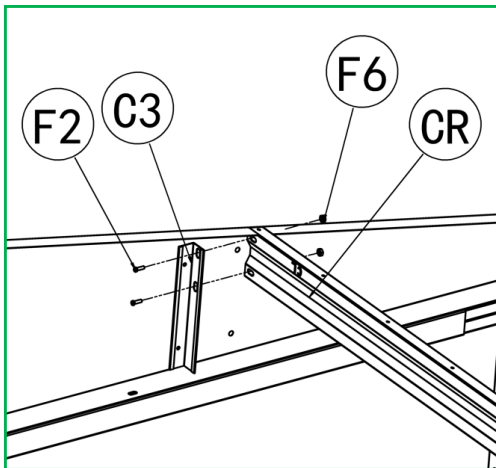
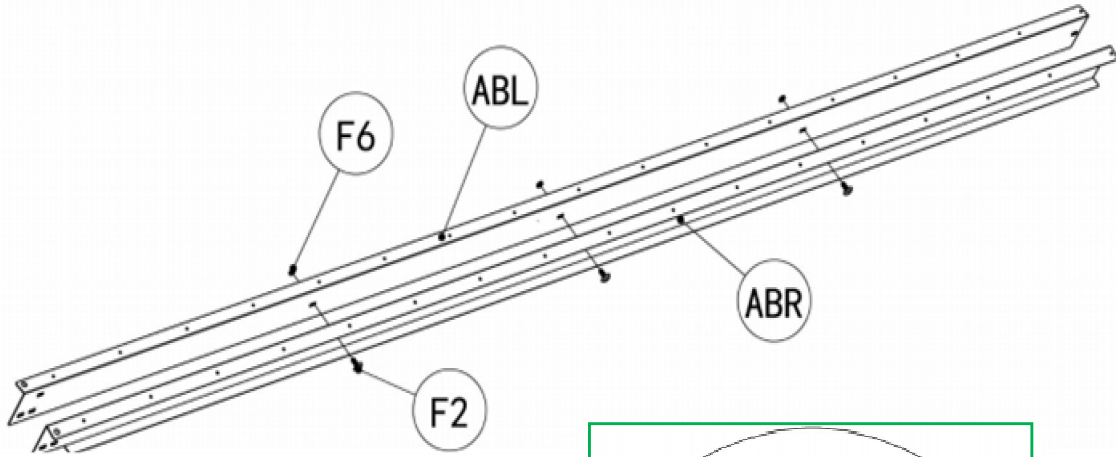
ABR
1pcs



CL
1pcs



CR
1pcs



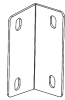
22



F2
10pcs



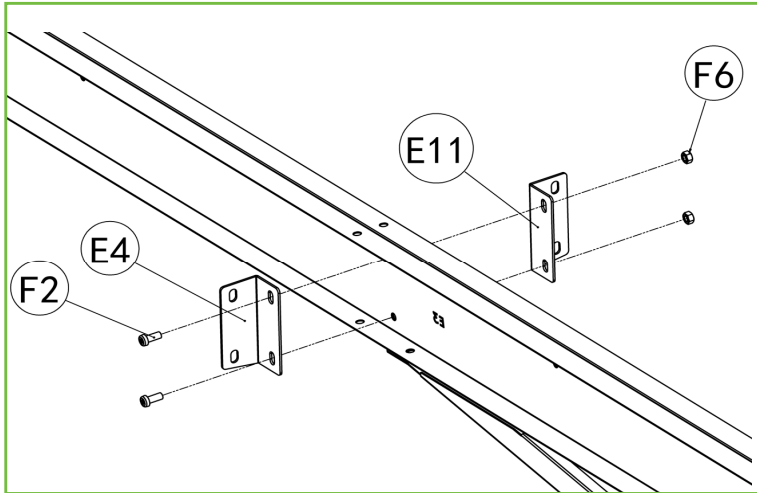
F6
10pcs



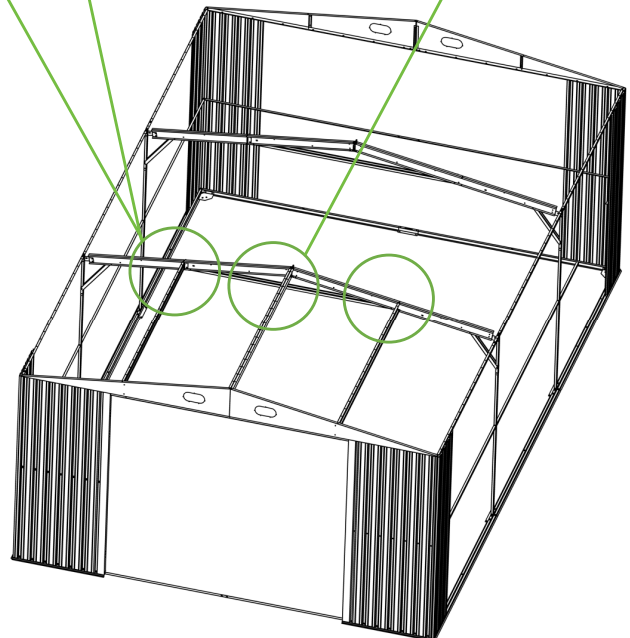
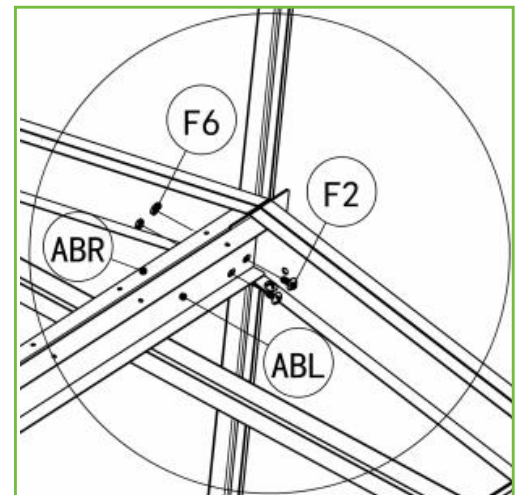
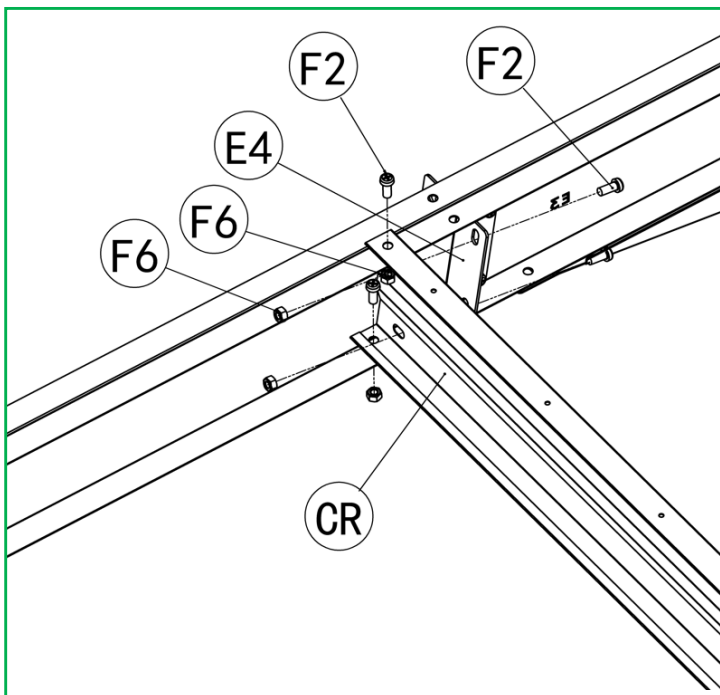
E4
2pcs



E11
2pcs



Note: Lock CR the same way as CL.



23



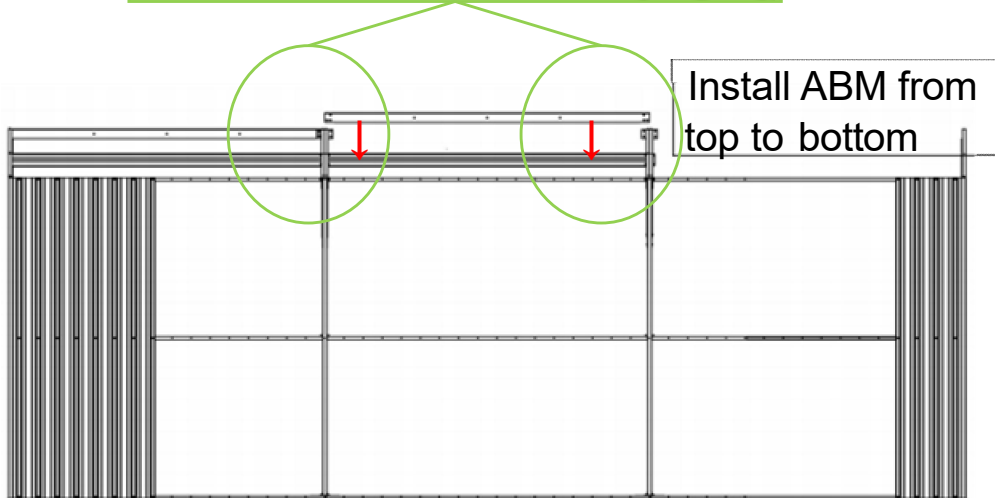
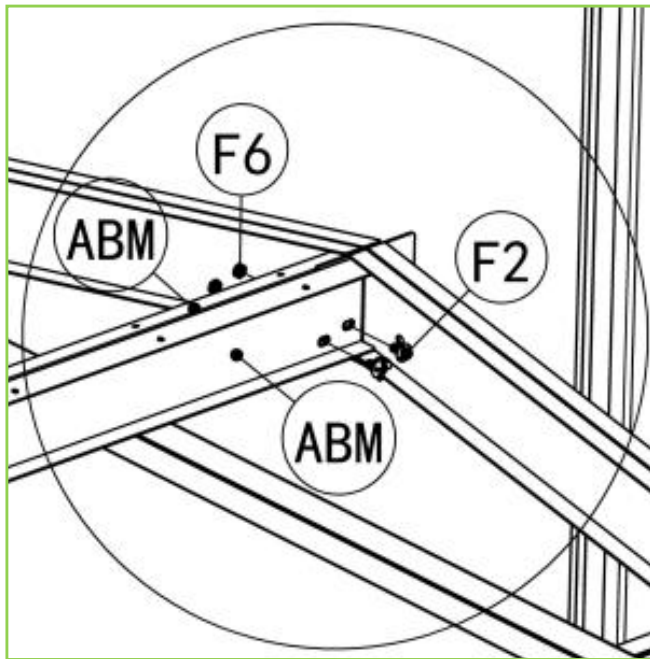
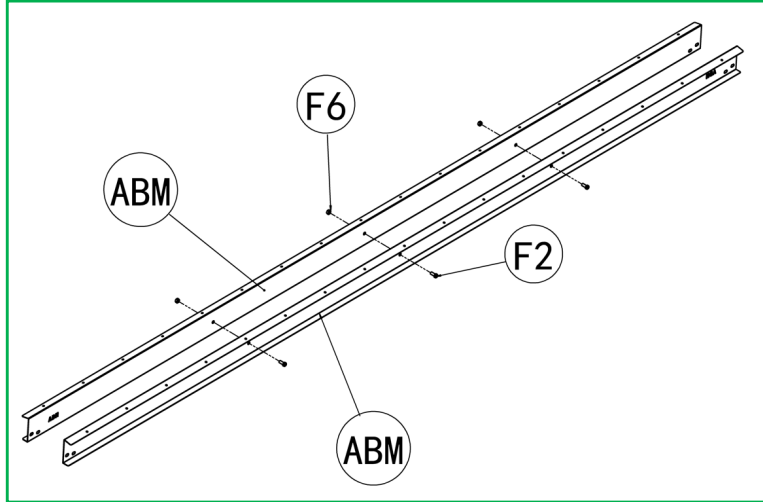
F2
7pcs



F6
7pcs



ABM
2pcs



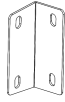
24



F2
8pcs



F6
8pcs



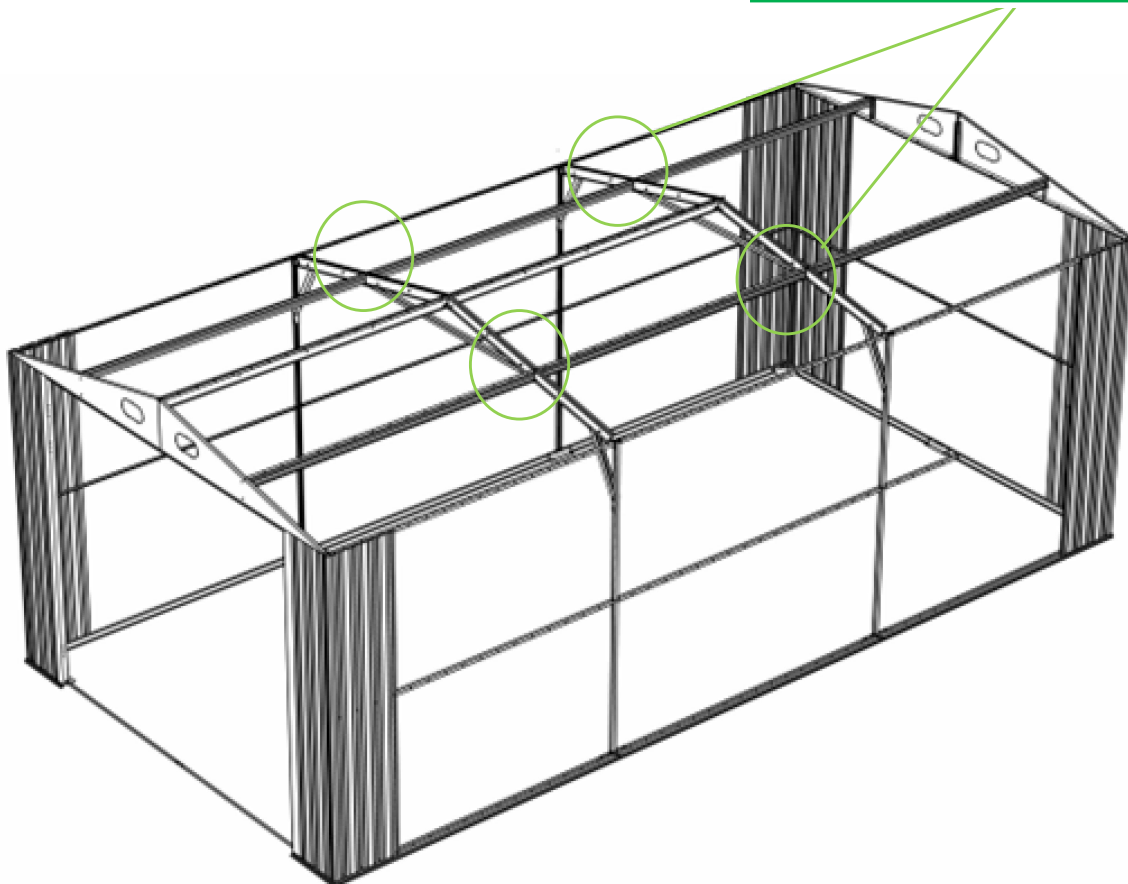
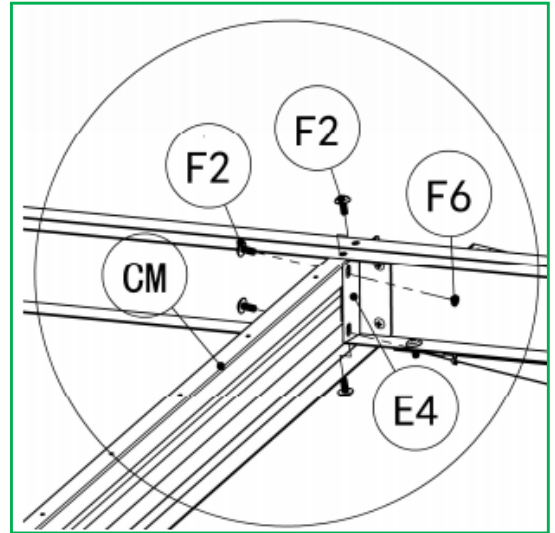
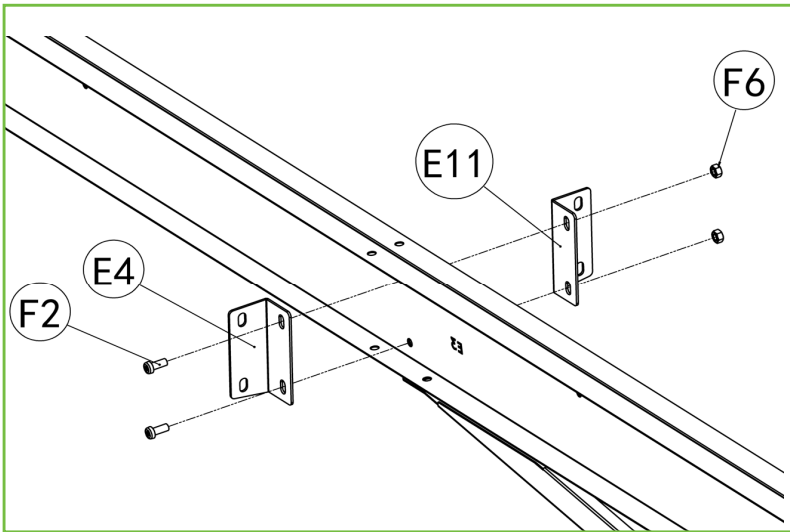
E4
2pcs



E11
2pcs



CM
2pcs



25



F2
8pcs



F6
8pcs



ABL
1pcs



ABR
1pcs



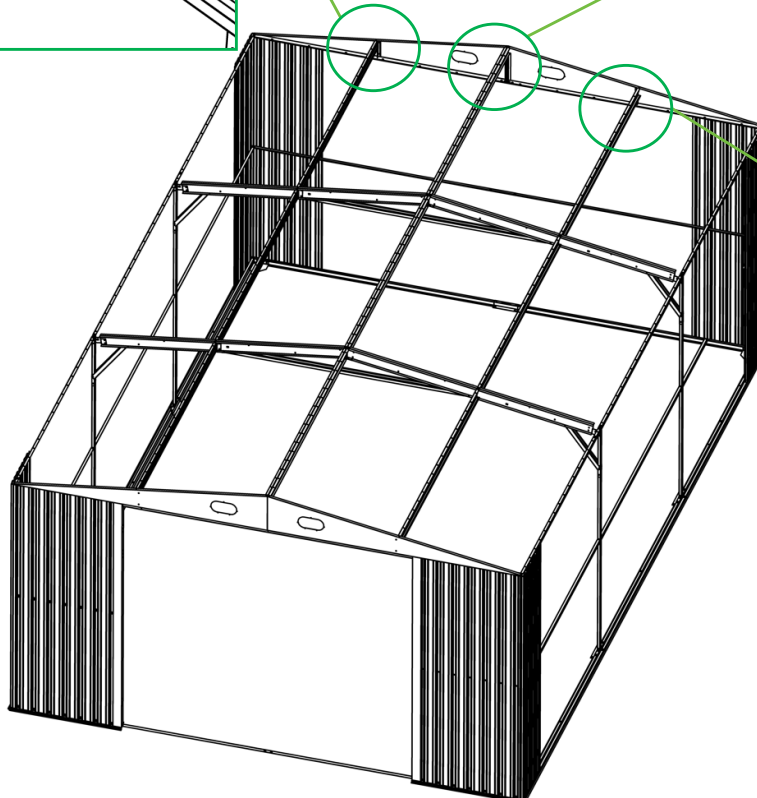
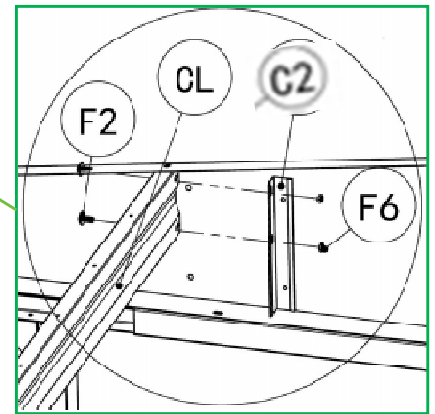
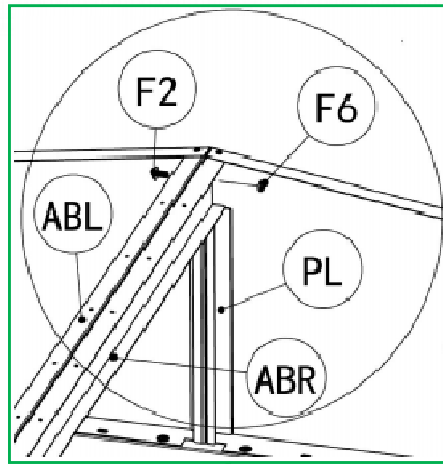
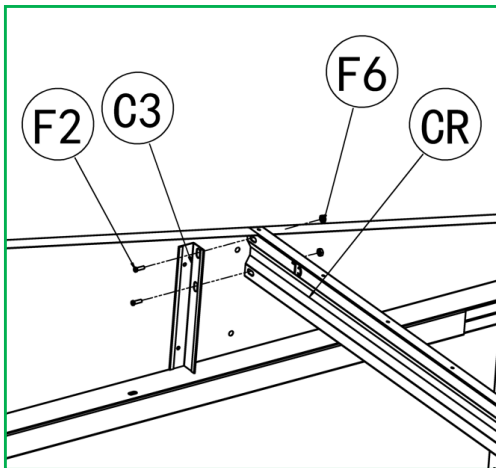
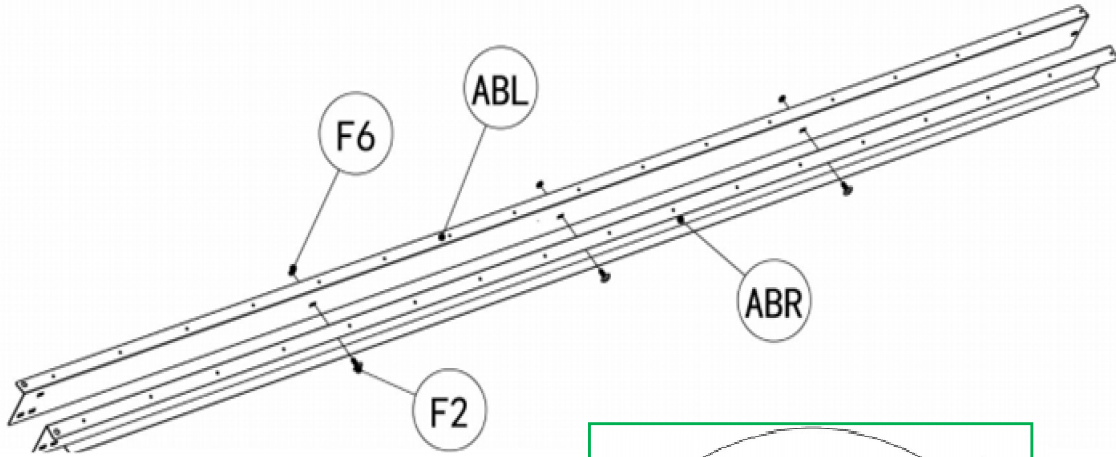
CL
1pcs



CR
1pcs



C3
2pcs



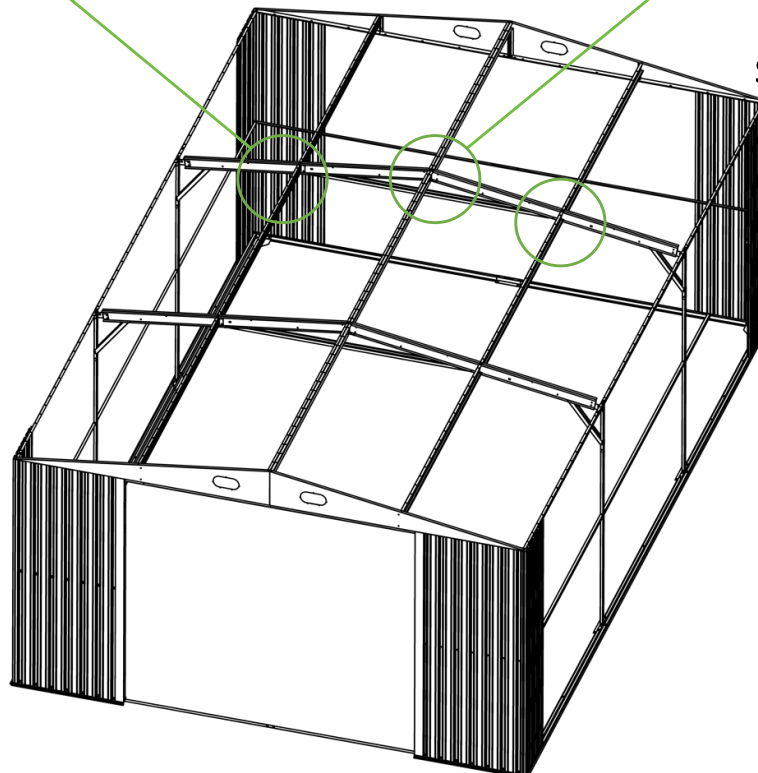
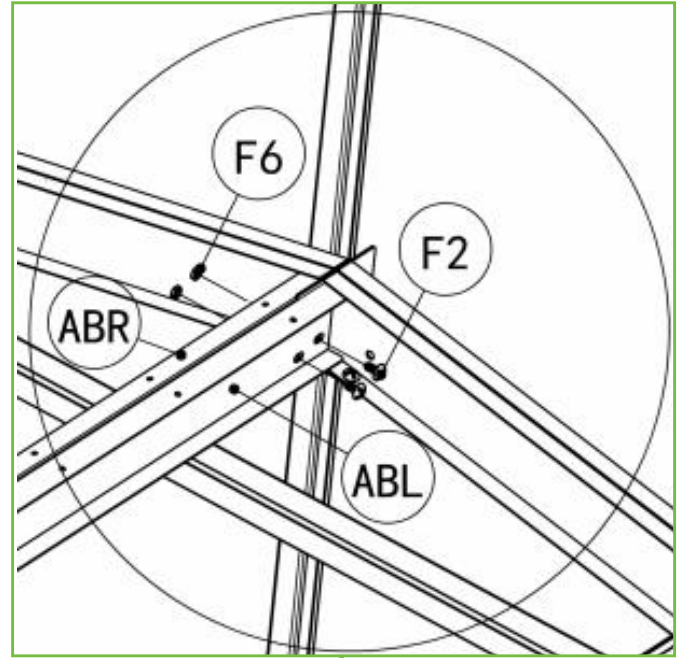
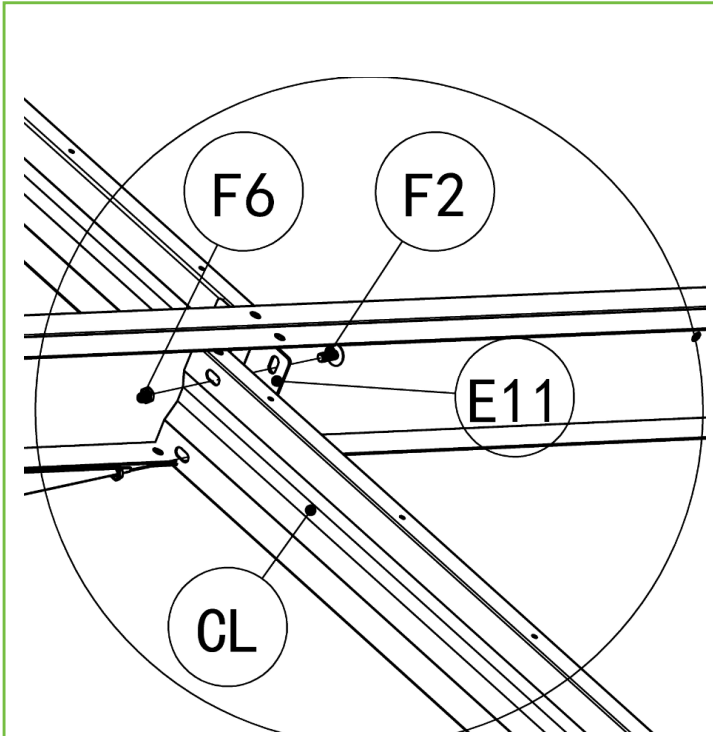
26



F2
10pcs



F6
10pcs



Note: Lock CR the same way as CL.

27



F1
300pcs



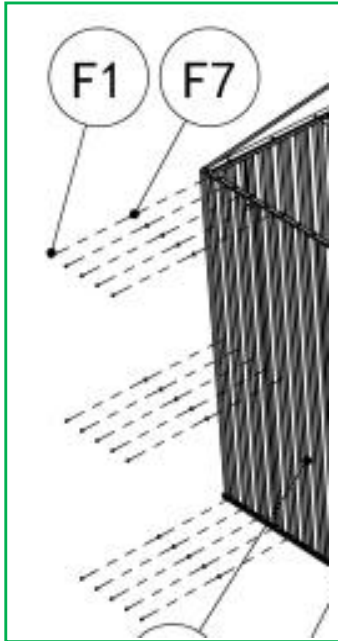
F7
300pcs



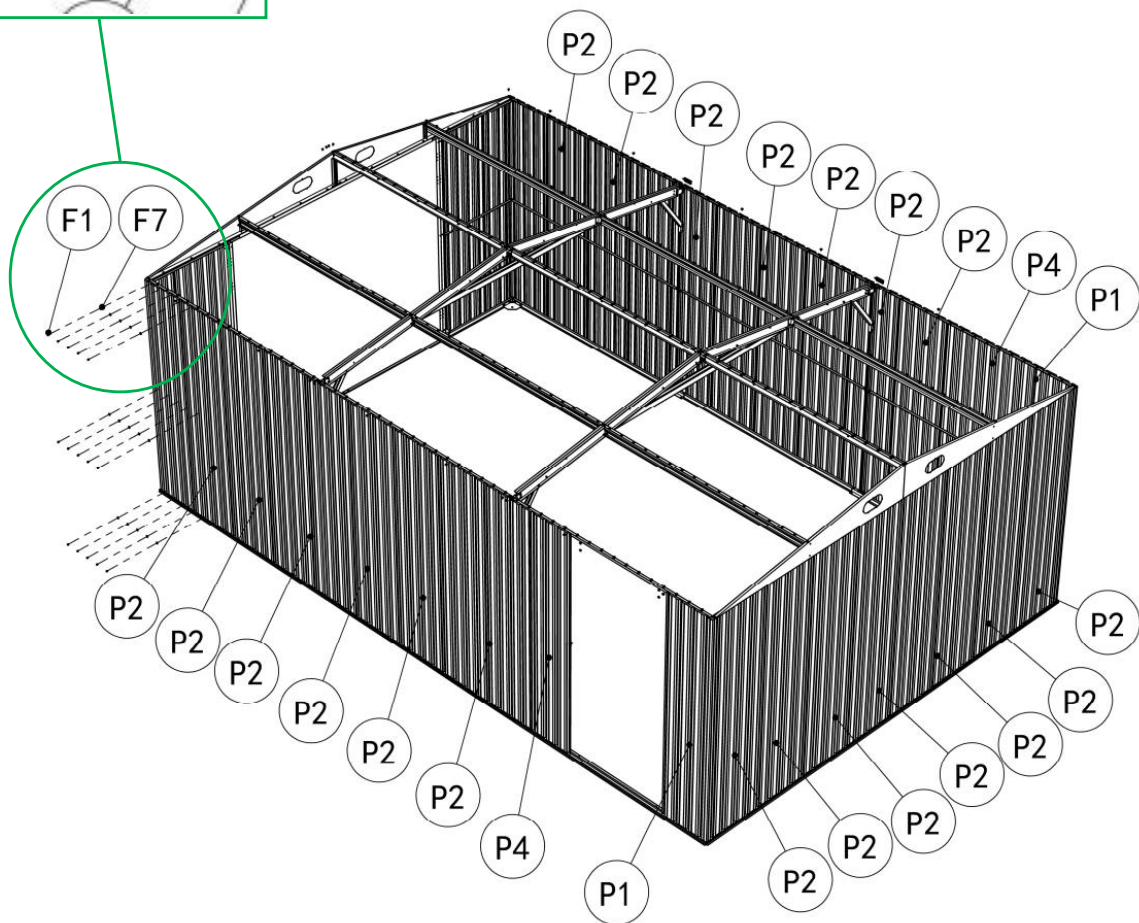
P2
24pcs



P4
2pcs



Note: Please ensure that all F7 gaskets are used with screws to prevent the leaking.



28



F1
6pcs



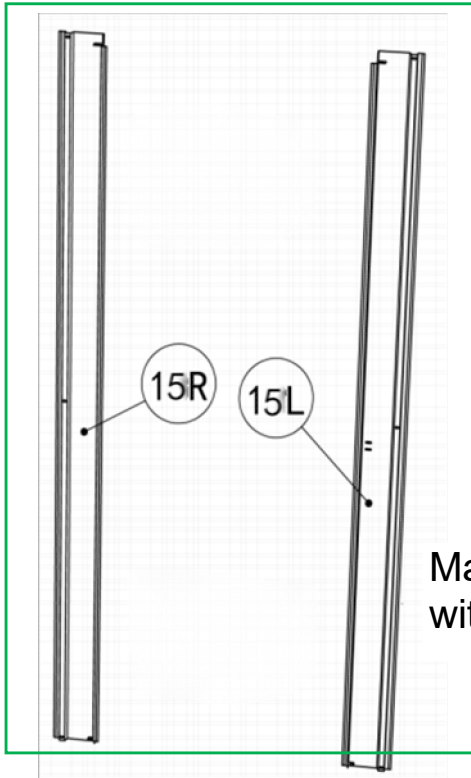
F7
6pcs



15L
1pcs

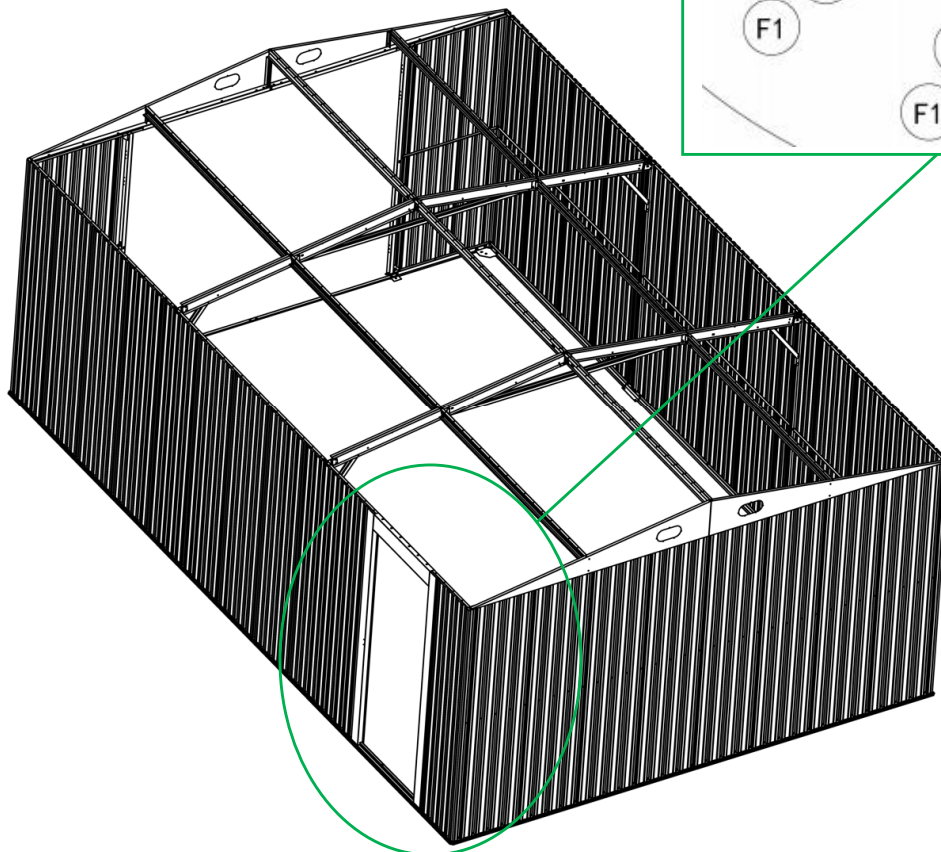
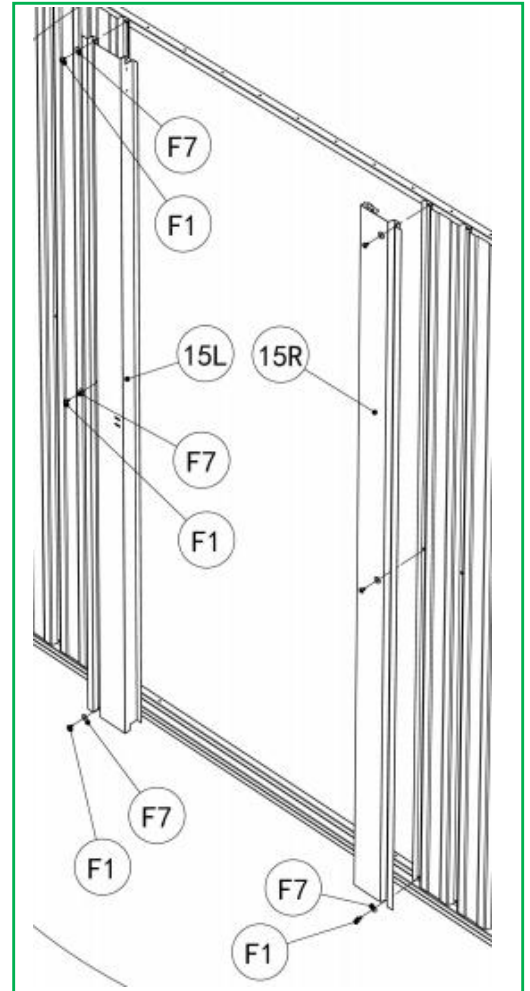


15R
1pcs



Manually fold inward,
long on top

Manually fold inward,
with the shorter one below



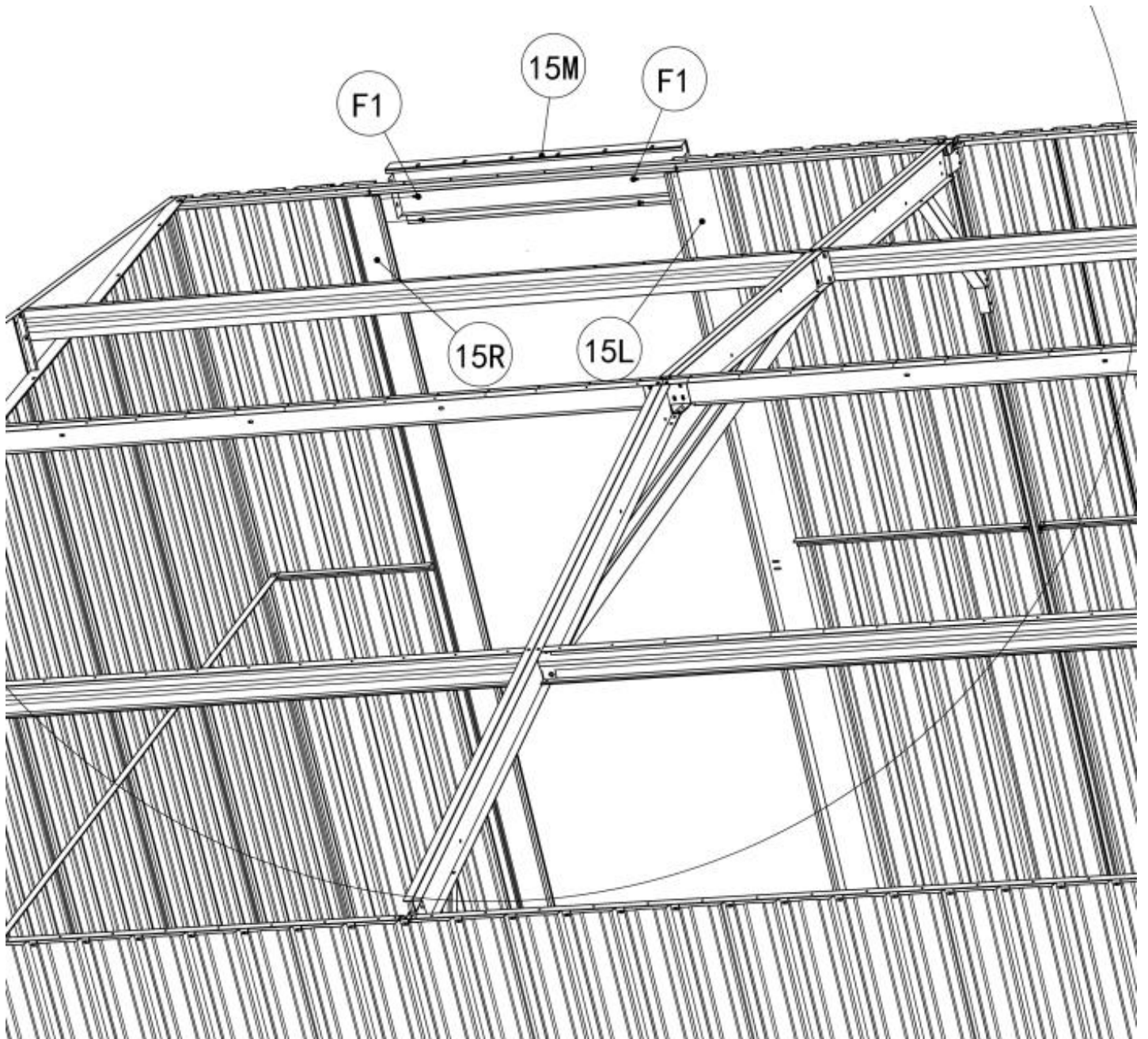
29



F1
4pcs



15M
1pcs



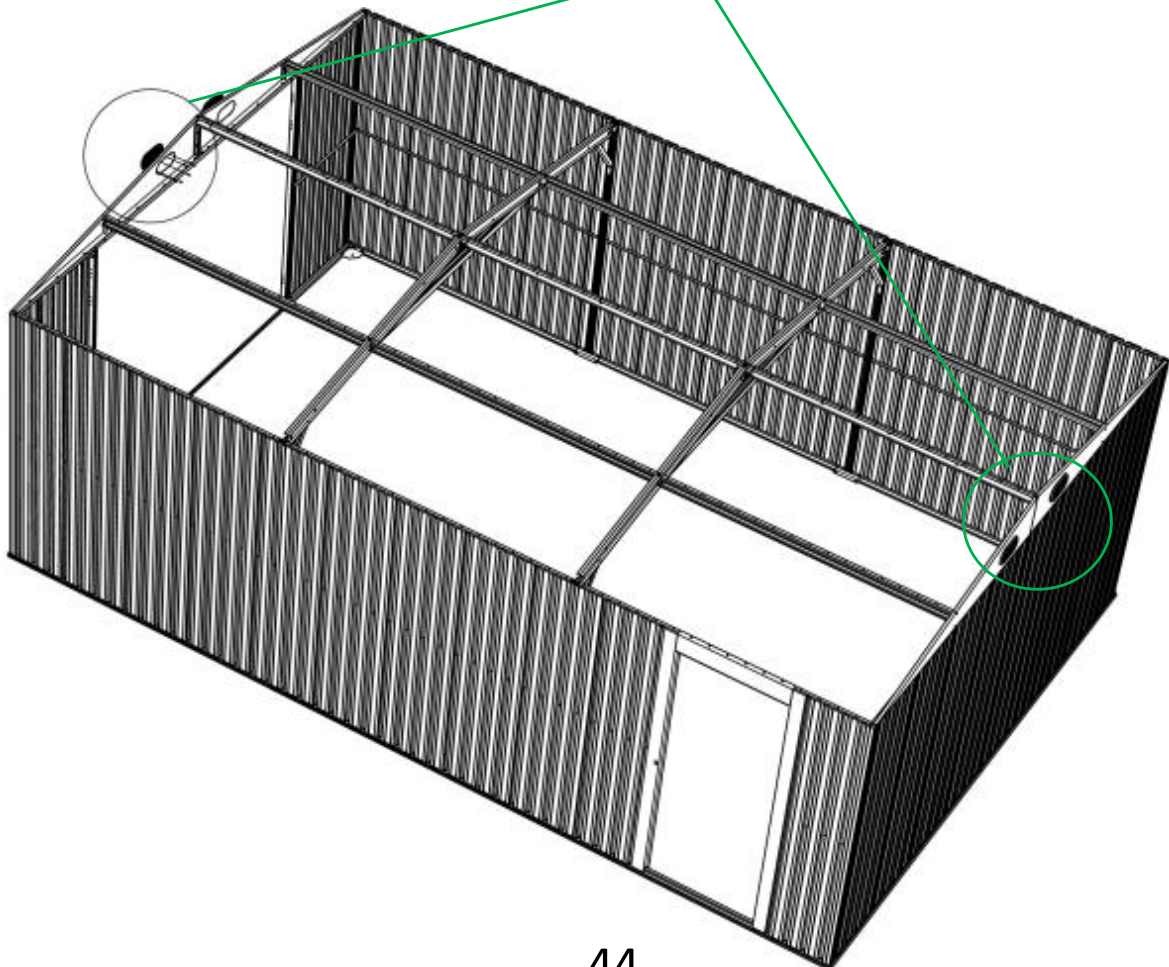
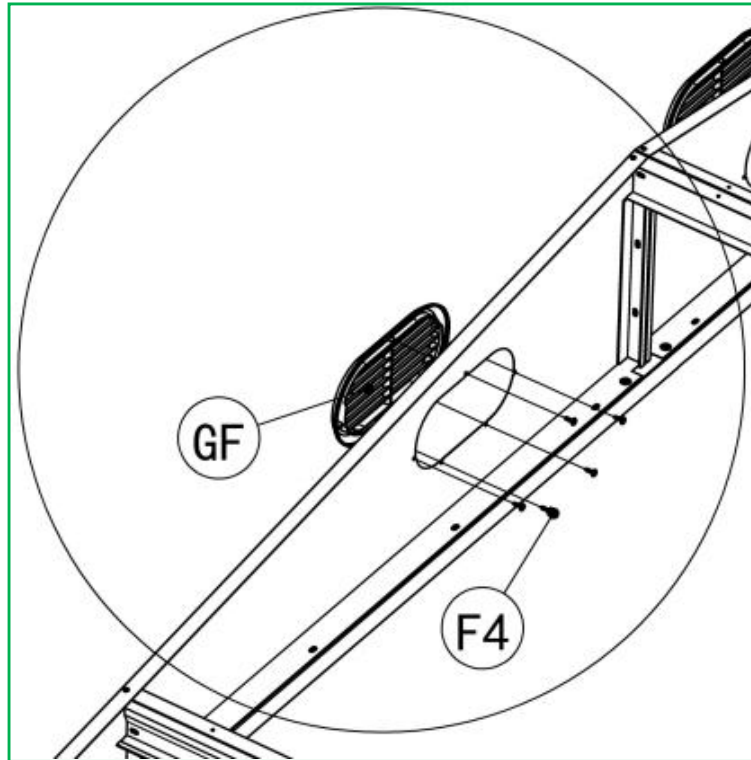
30



F4
24pcs



GF
4pcs



31



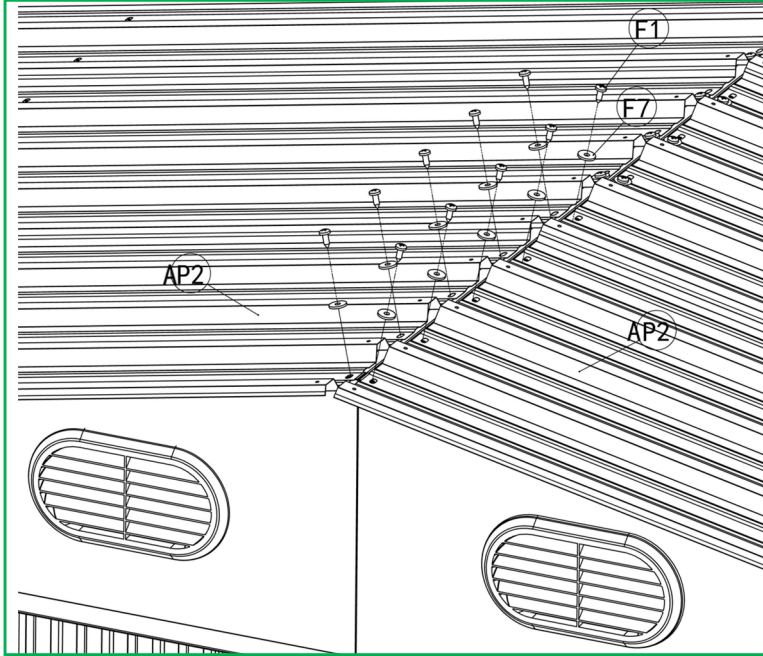
F1
80pcs



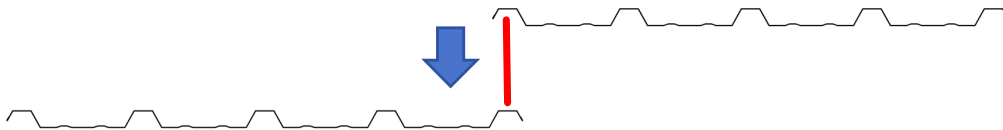
F7
80pcs



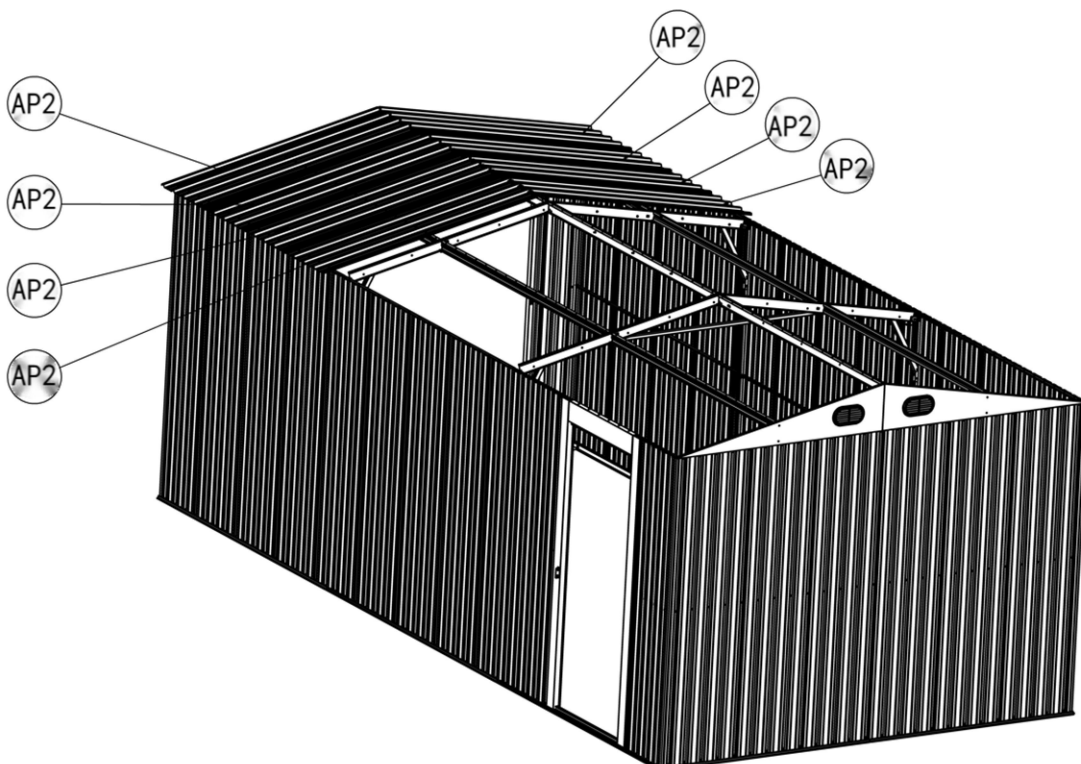
AP2
8pcs



Note: Please ensure that all F7 gaskets are used with screws to prevent the leaking.



Note: AP2 overlaps only 1 edge



32



F1
12pcs



F7
12pcs

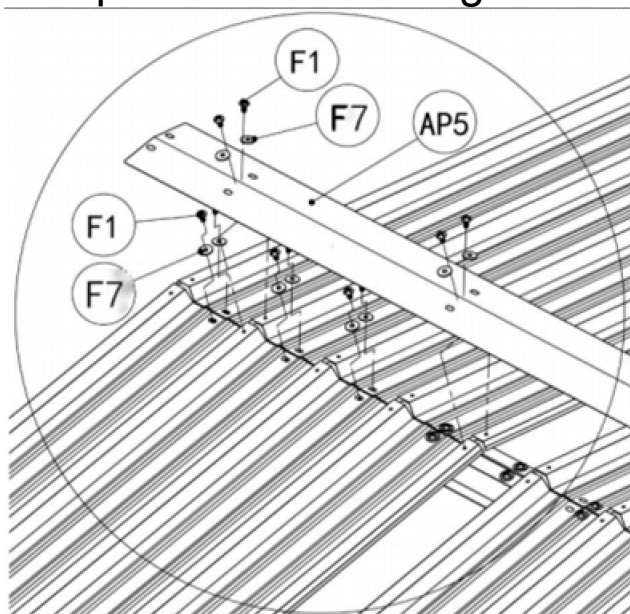
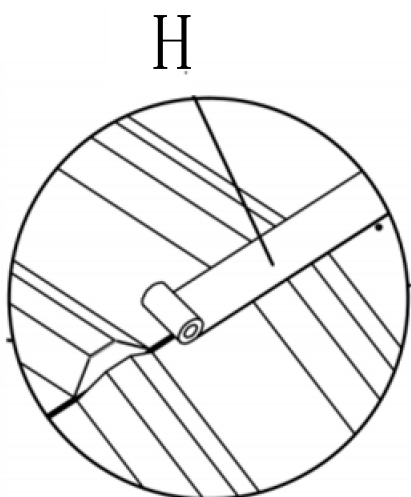


H
1pcs



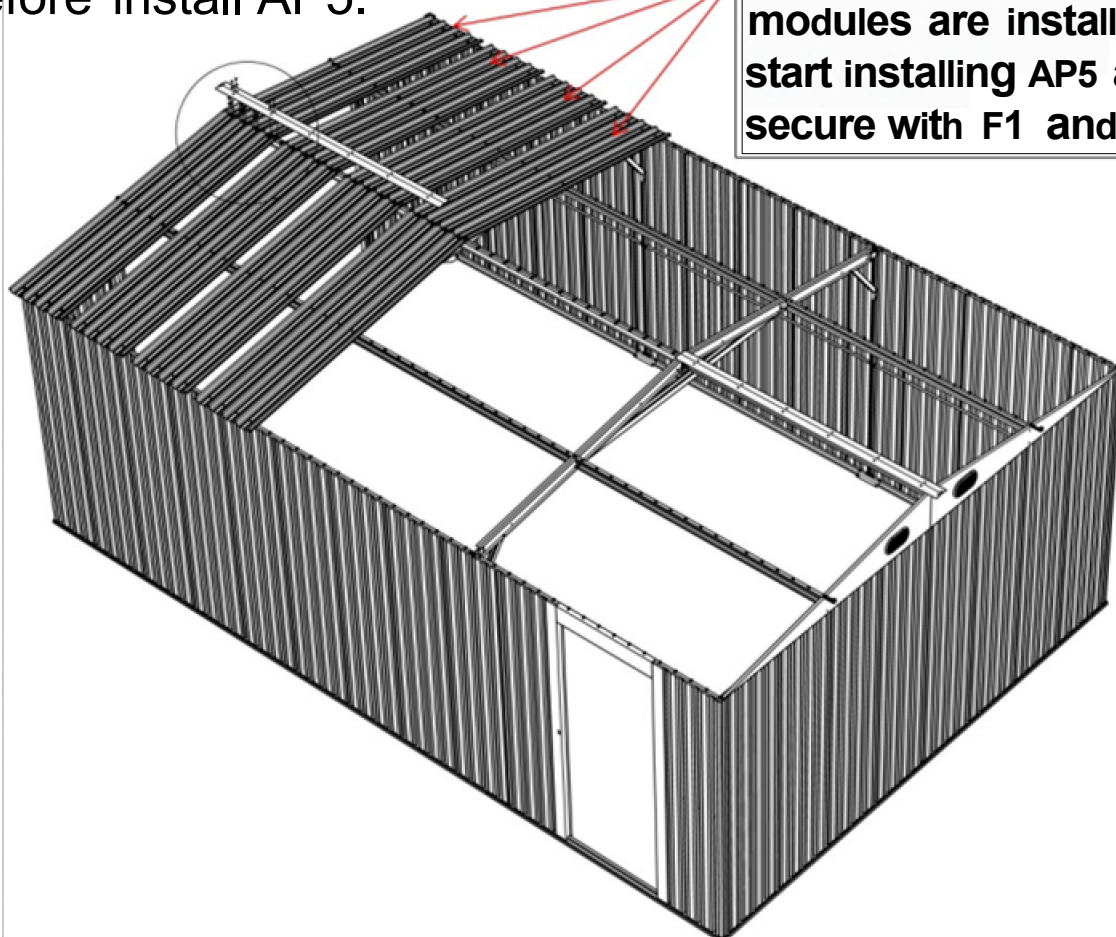
AP5
1pcs

Note: Use H tape under AP5. Please ensure that all F7 gaskets are used with screws to prevent the leaking.



Apply waterproof tape first before install AP5.

Whenever four AP2 modules are installed, start installing AP5 and secure with F1 and F7



ASSEMBLY INSTRUCTIONS

33



F1
180pcs



F7
180pcs



AP2
18pcs

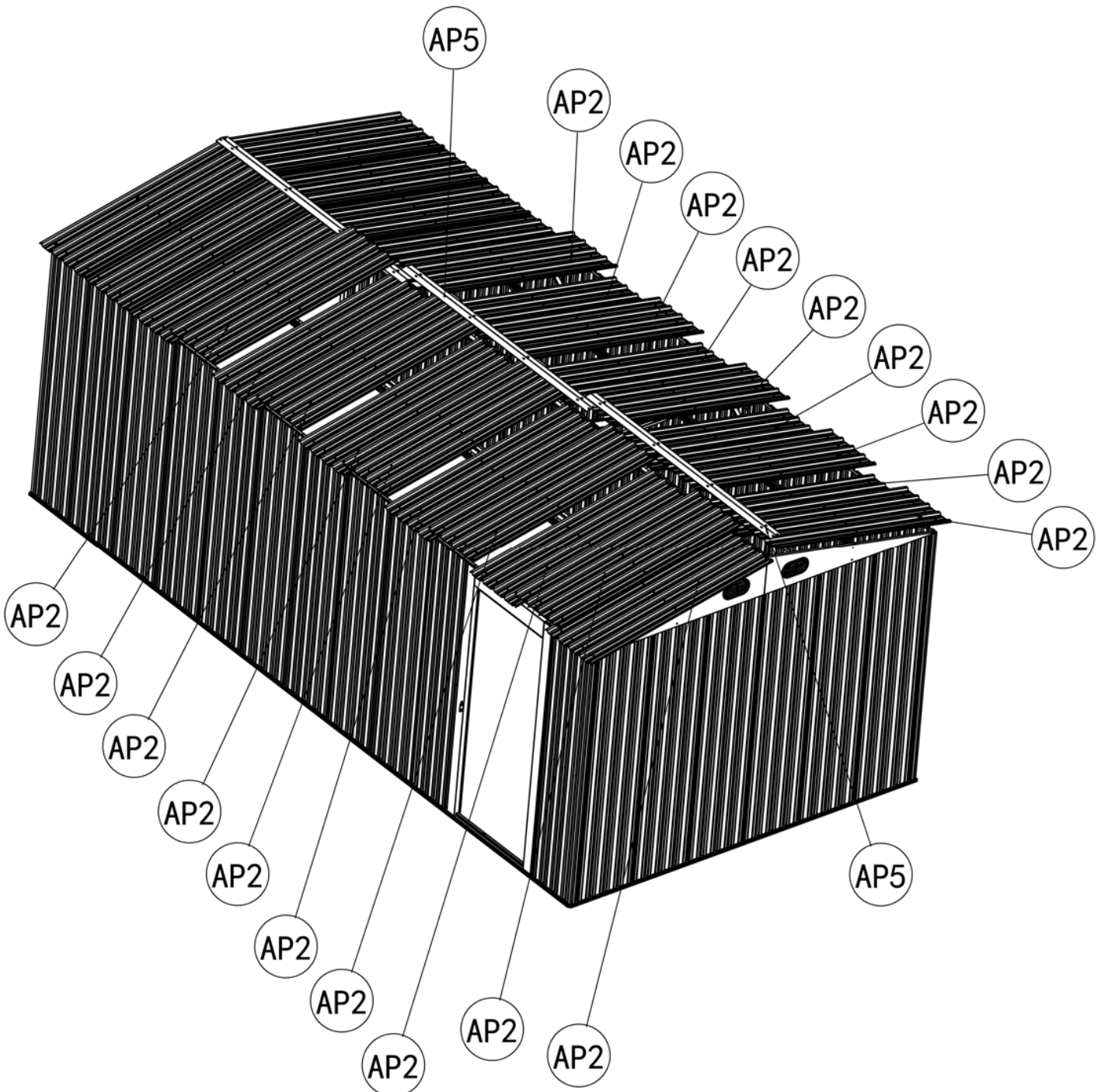
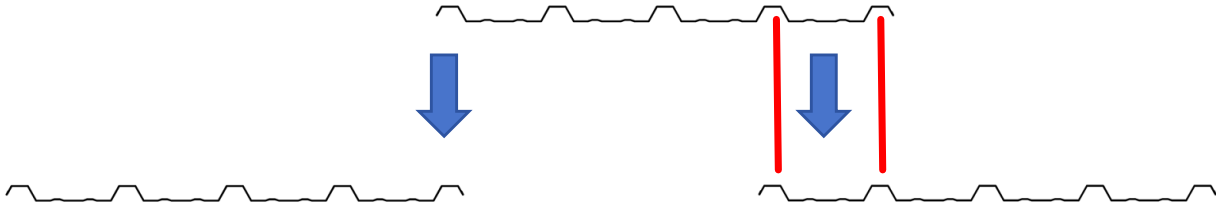


H
1pcs



AP5
2pcs

Note: AP2 overlaps 2 edge at last two pieces.



34



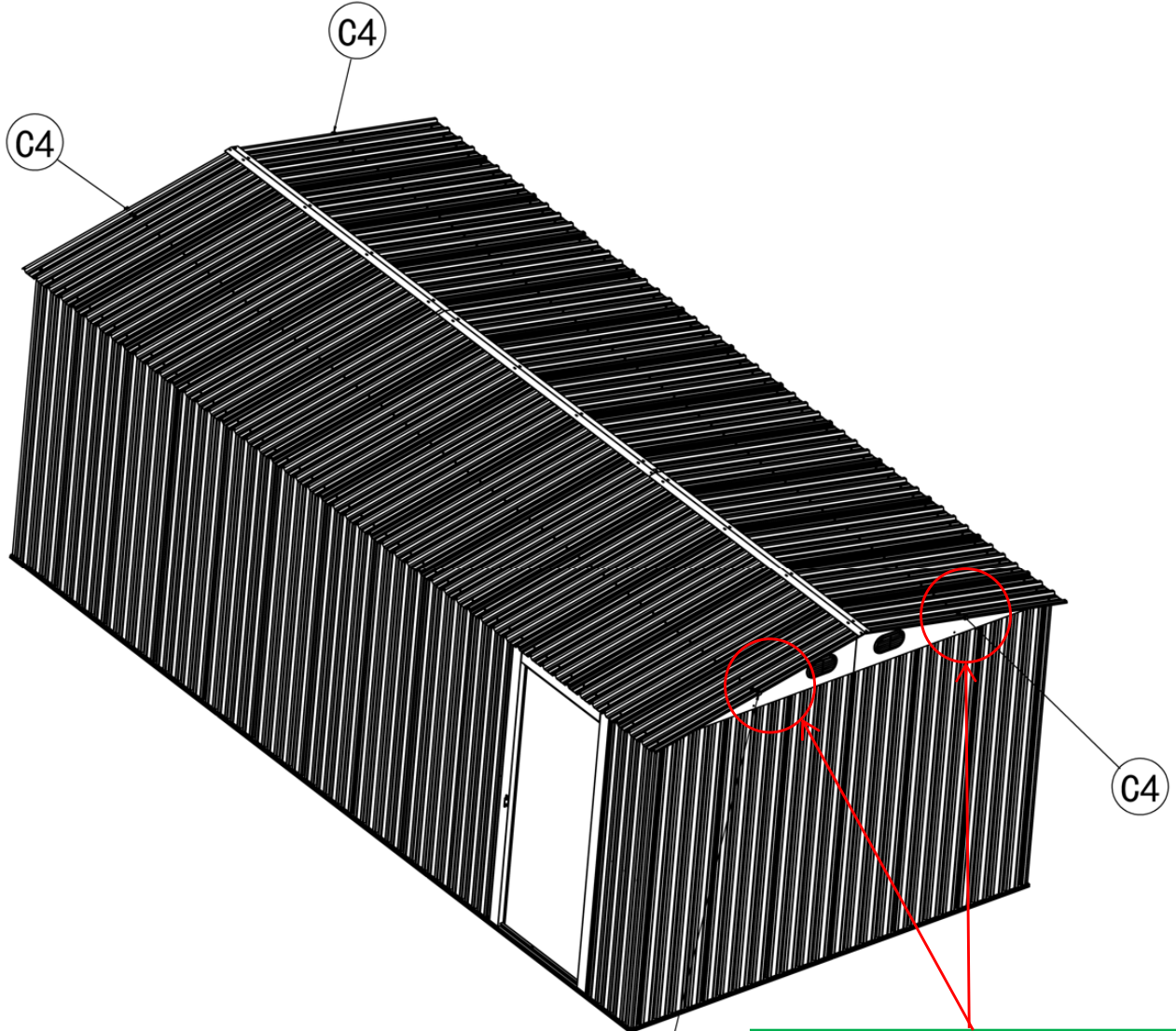
F1
4pcs



F7
4pcs

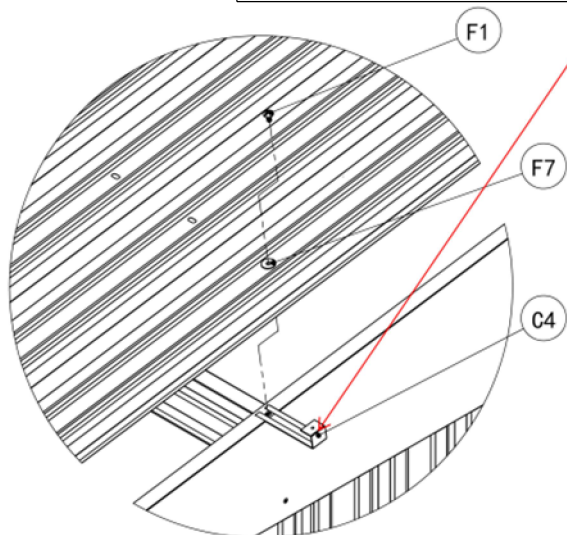


C4
4pcs



Insert C4 into the middle hole
between the first and last panel

When installing to the last
panel, overlap two panels
to ensure that the front and
rear exposed dimensions
are consistent.



35



F1
4pcs



AP6
4pcs



RT3
2pcs



AP7
4pcs



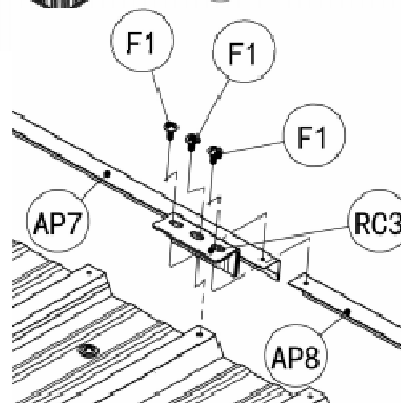
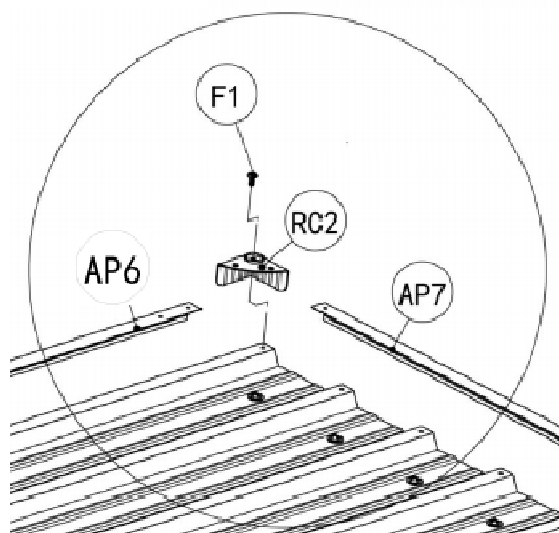
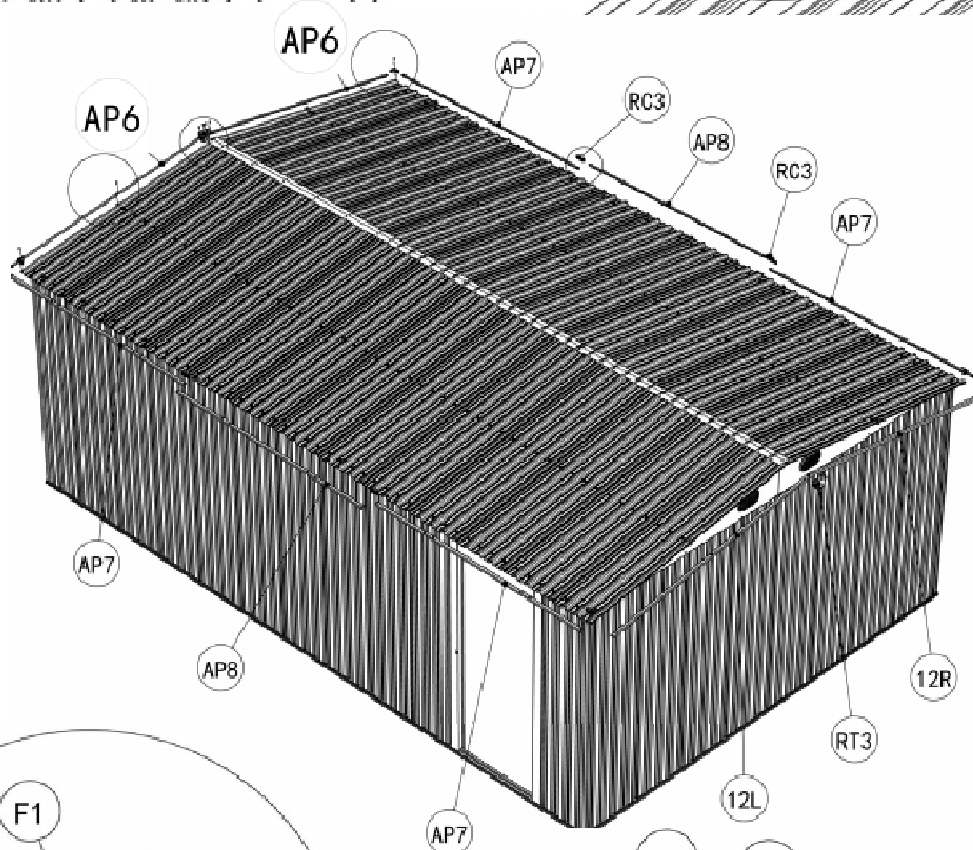
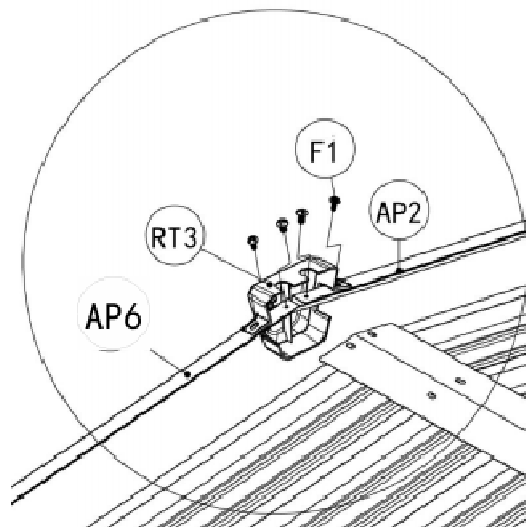
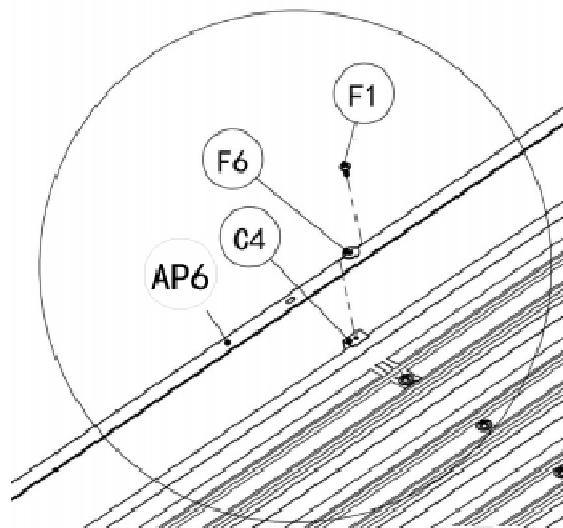
AP8
2pcs











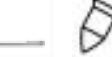

RC3
4pcs



RC2
4pcs

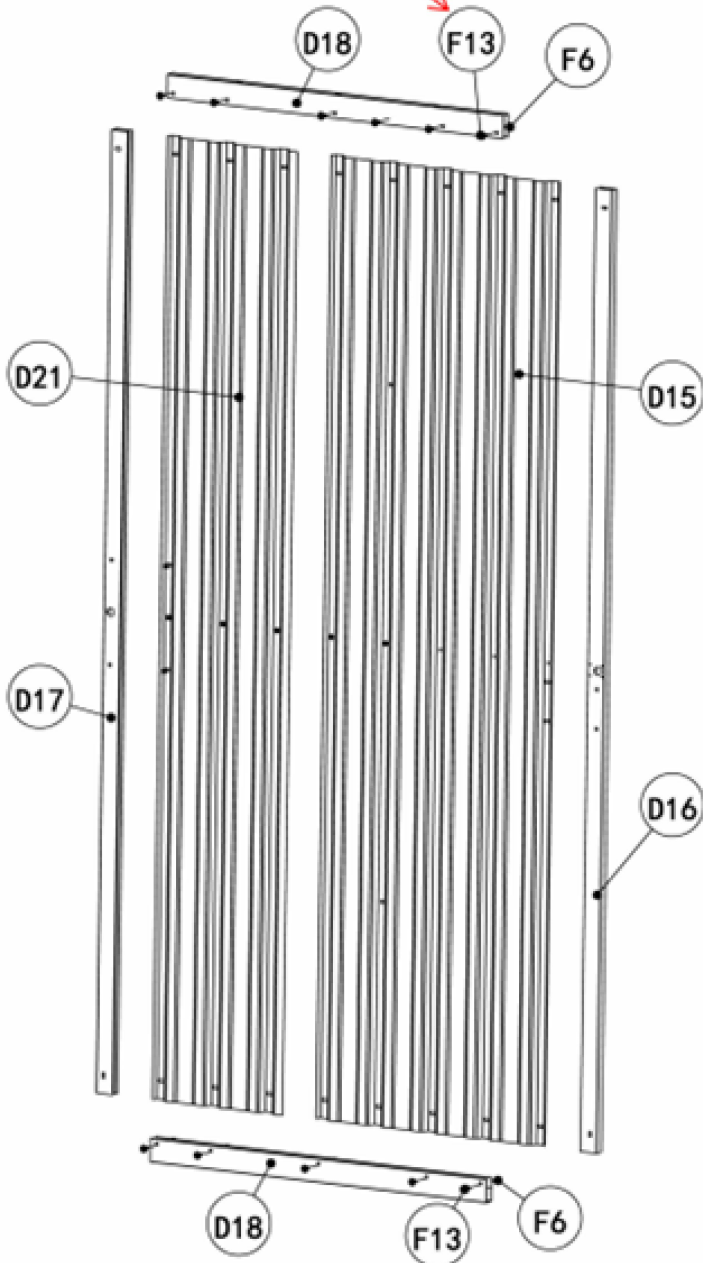


36

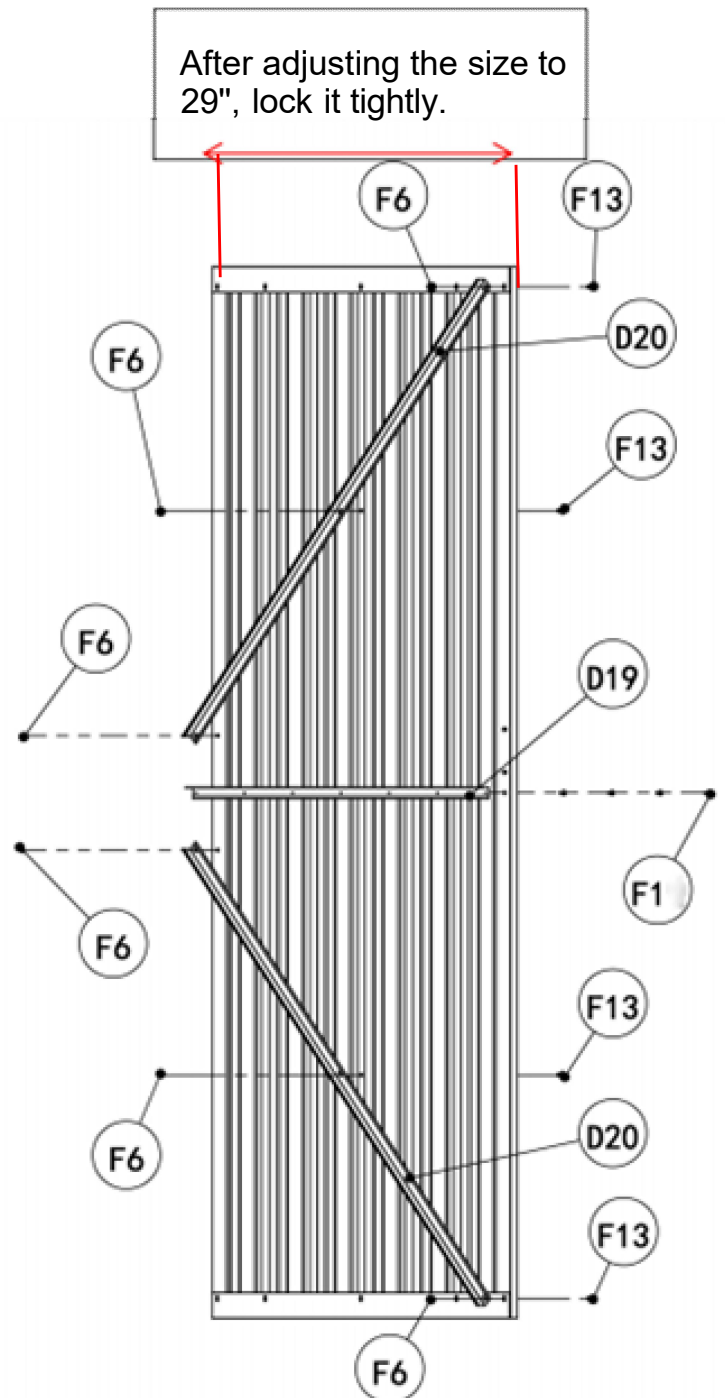
									
F13	F6	D21	D15	D17	D16	D18	D20	D19	F1
14pcs	14pcs	1pcs	1pcs	1pcs	1pcs	2pcs	2pcs	1pcs	7pcs

Side door installation

The screws do not need to be locked tightly.



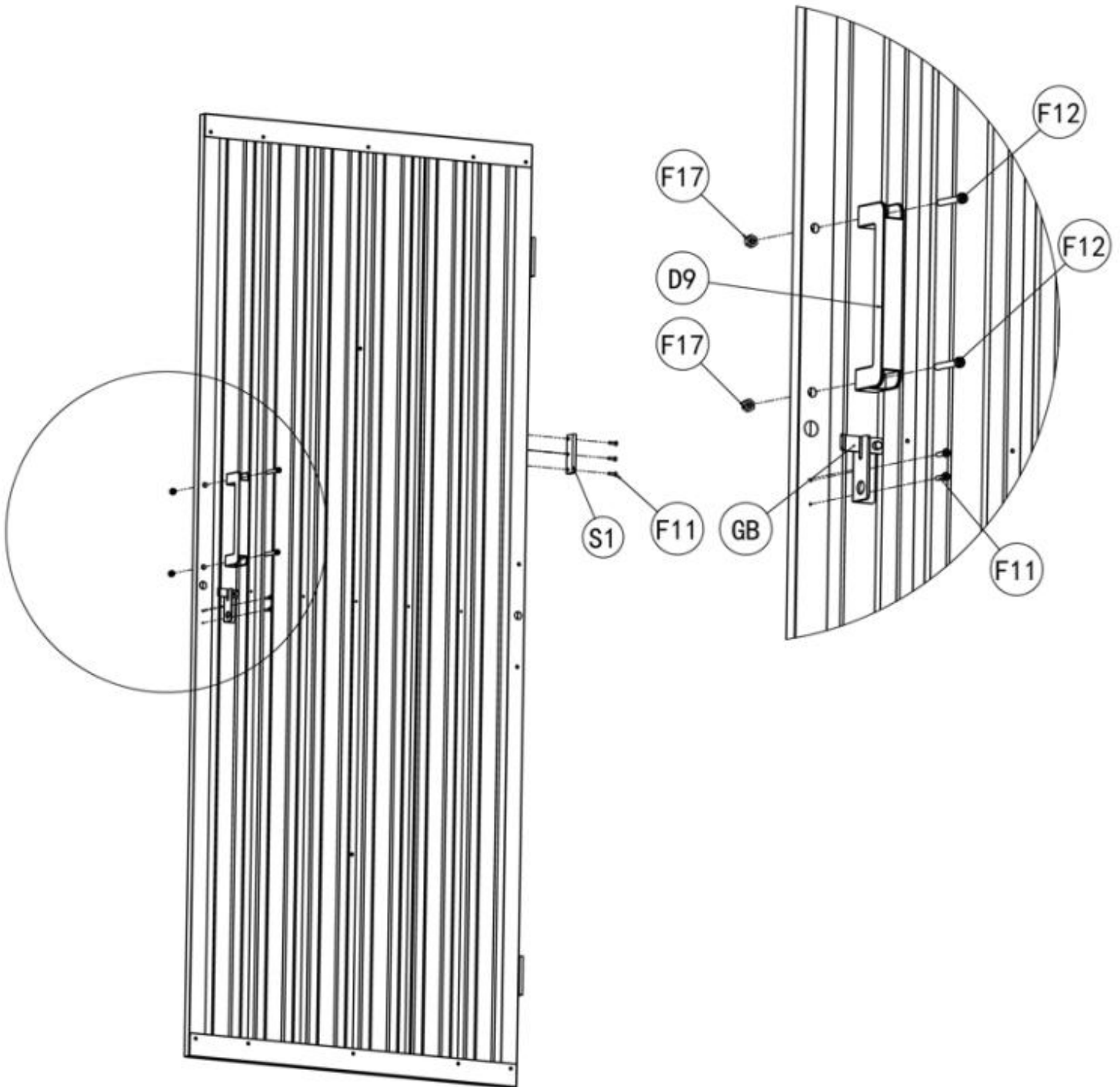
After adjusting the size to 29", lock it tightly.



37

					
F12	F17	D9	S1	GB	F11
2pcs	2pcs	1pcs	3pcs	1pcs	11pcs

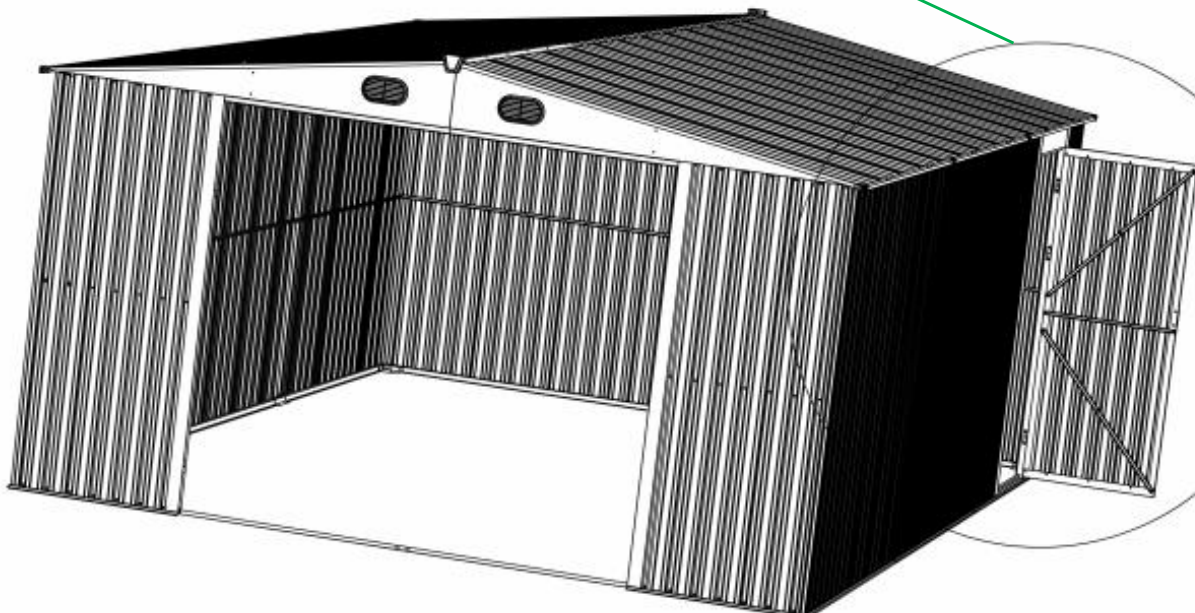
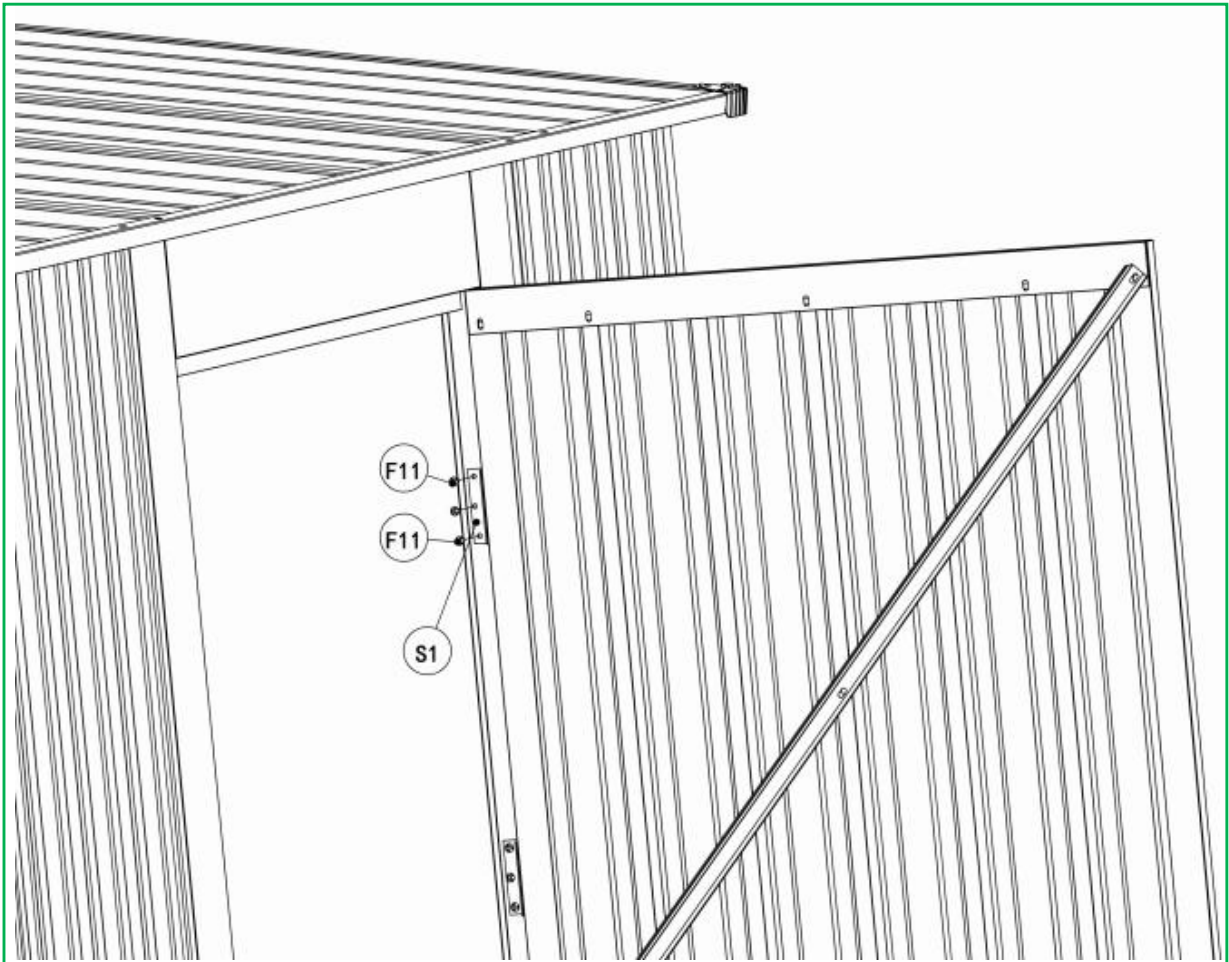
Side door installation



38



F11
9pcs



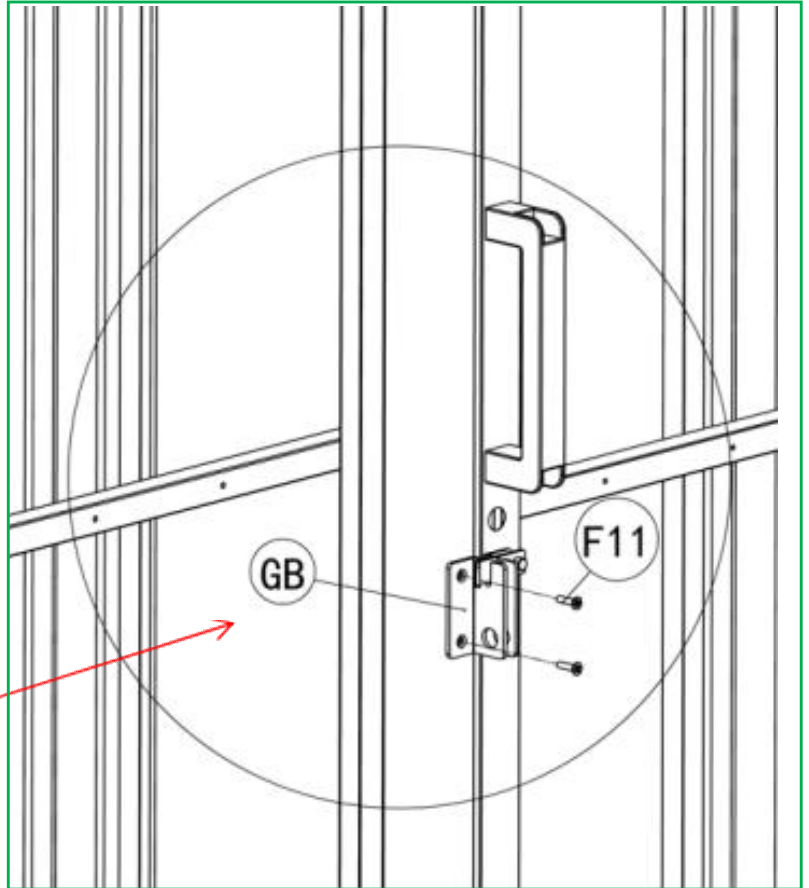
39



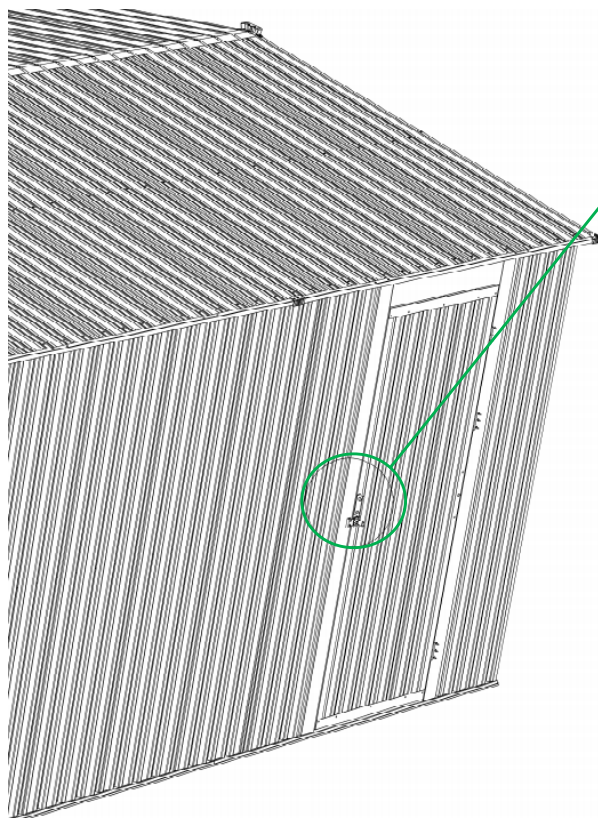
F11
2pcs









GB
1pcs



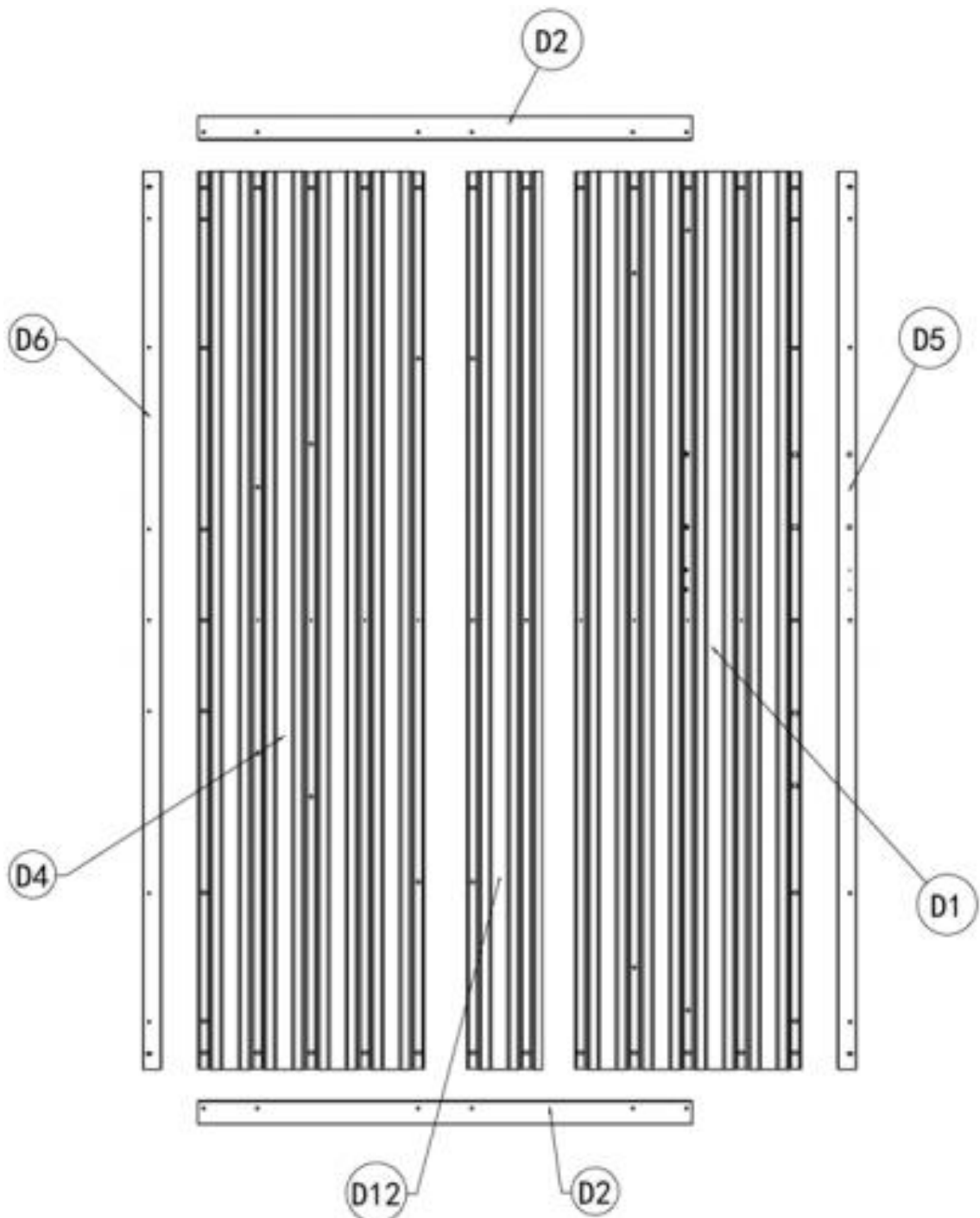
After aligning the lock buckle with the lock head, tighten the screws



40

					
D4 1pcs	D12 1pcs	D1 1pcs	D2 2pcs	D6 1pcs	D5 1pcs

Left door installation



41



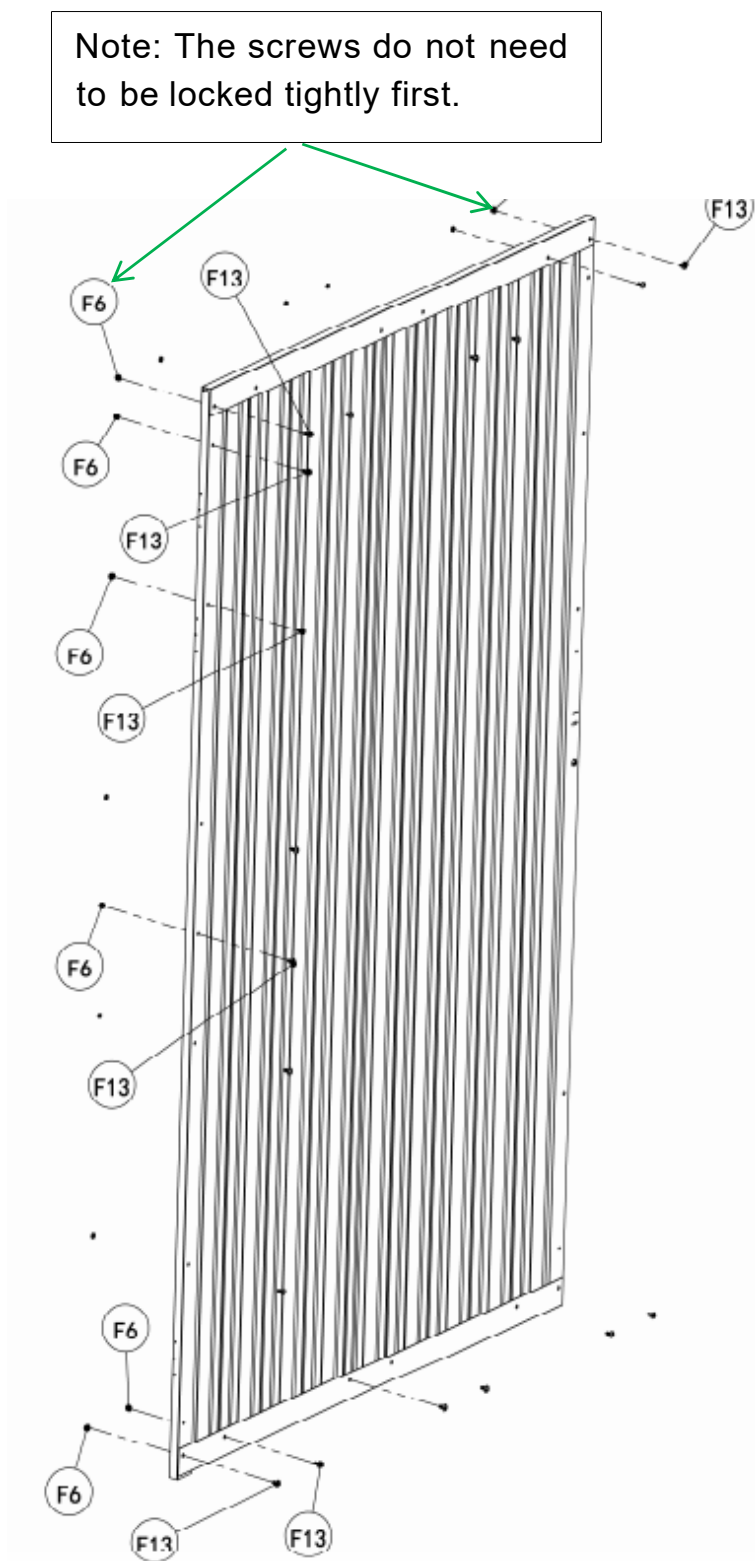
F13
18pcs











F6
18pcs

Left door installation

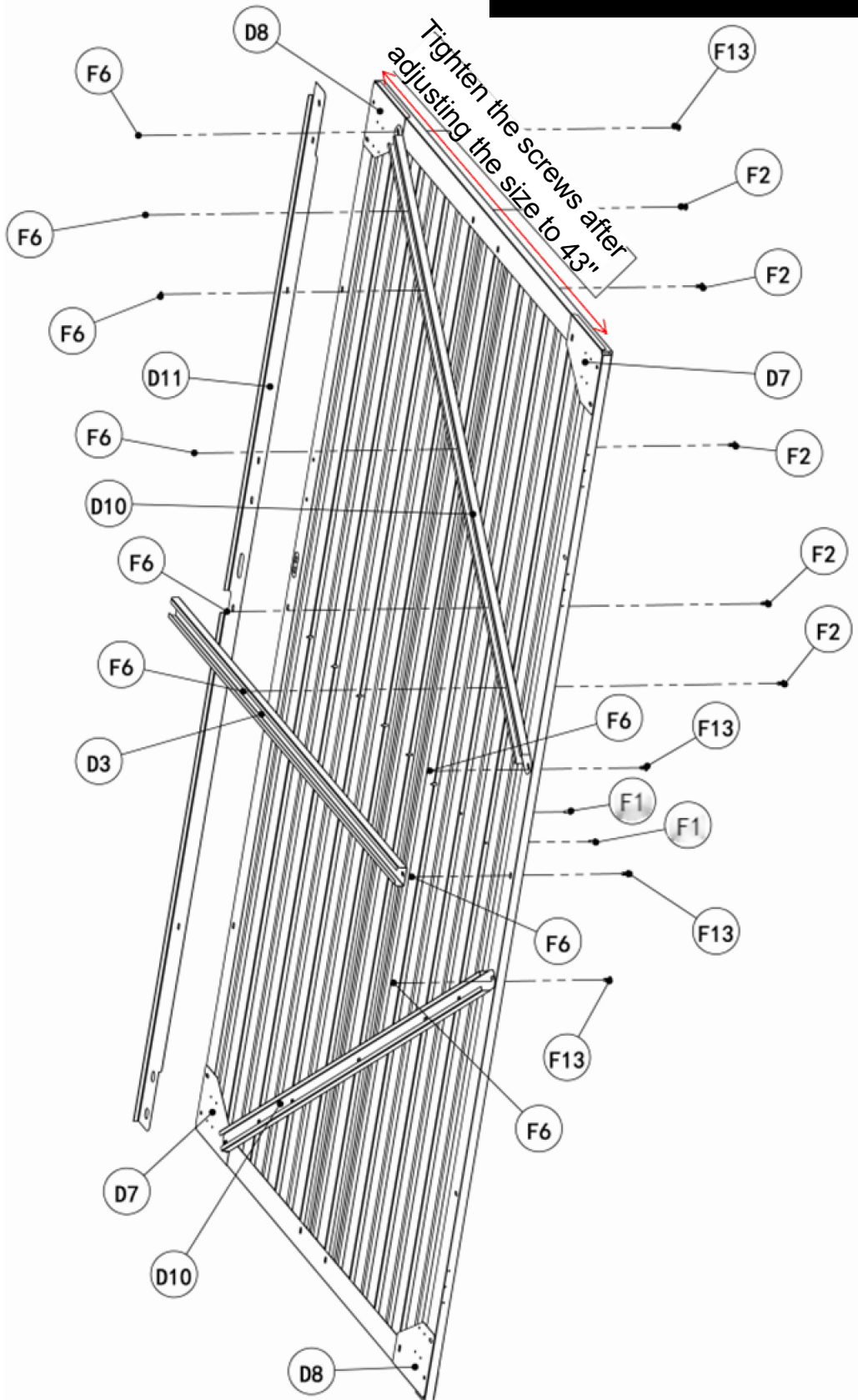
Note: The screws do not need to be locked tightly first.



42

							
F13 12pcs	F6 12pcs	F1 8pcs	D8 2pcs	D7 2pcs	D11 1pcs	D3 1pcs	D10 2pcs

Left door installation



43



F12
2pcs



F17
2pcs



F11
2pcs

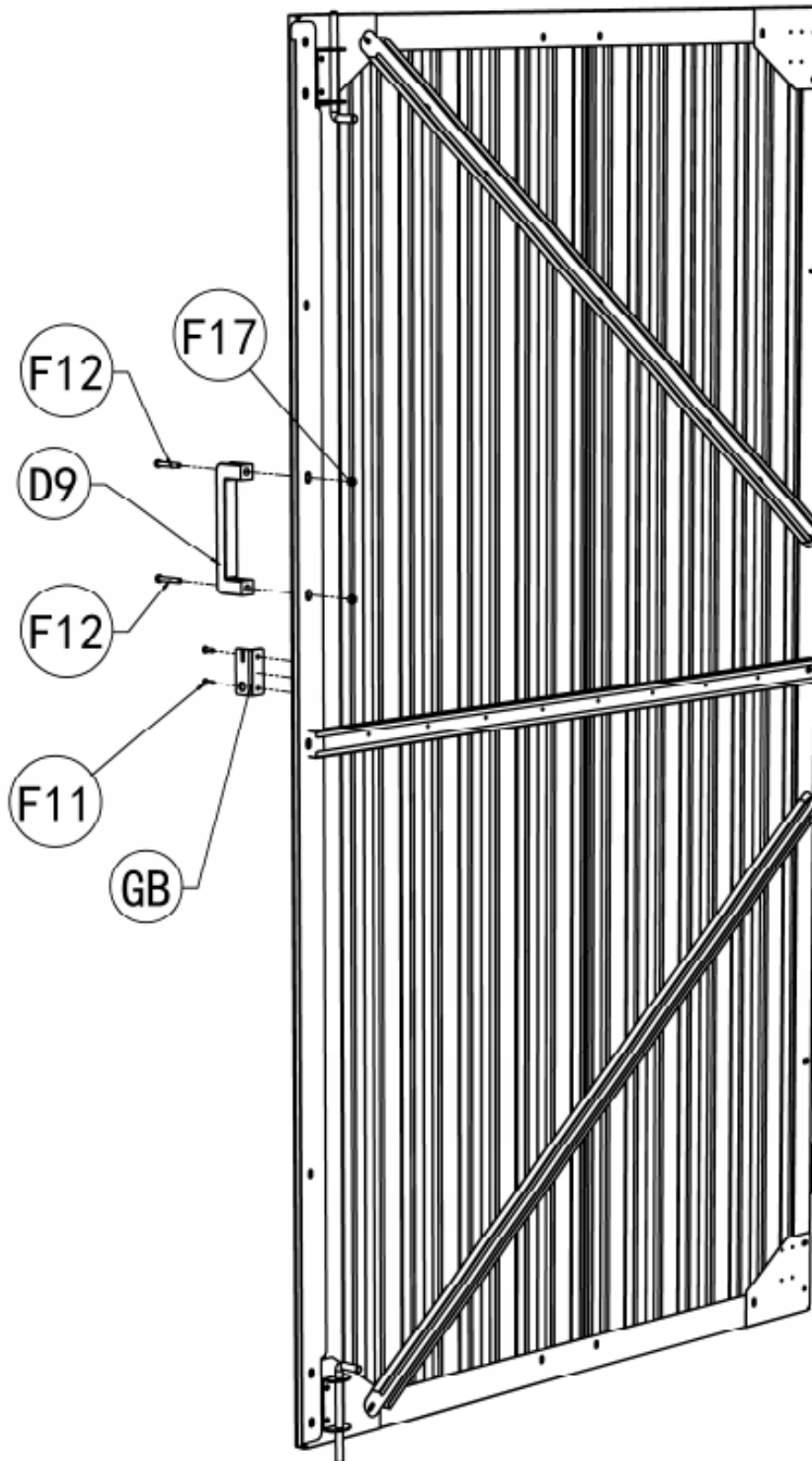


D9
1pcs



GB
1pcs

Left door installation



44



F1
8pcs



GD
2pcs

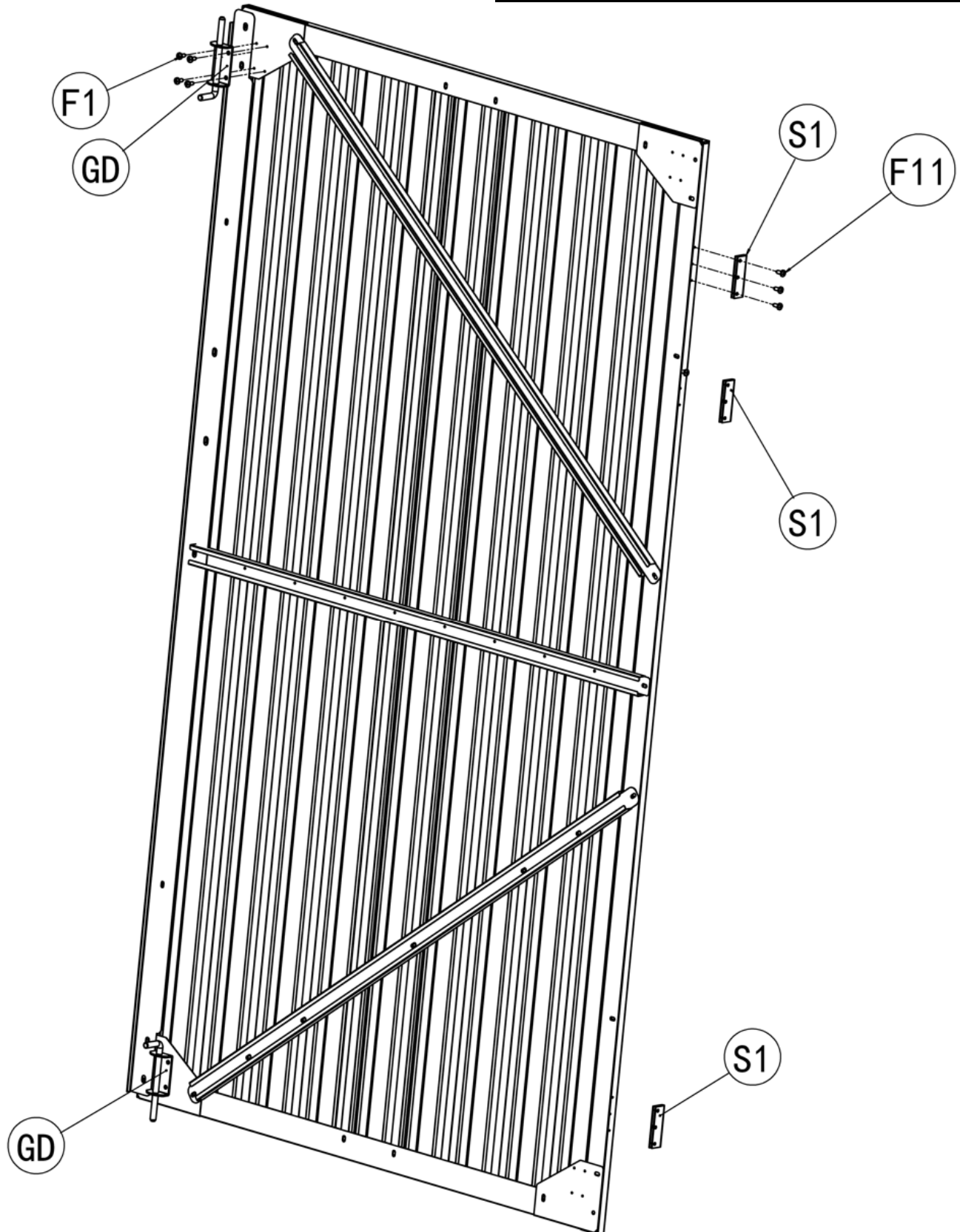


F11
9pcs









S1
3pcs

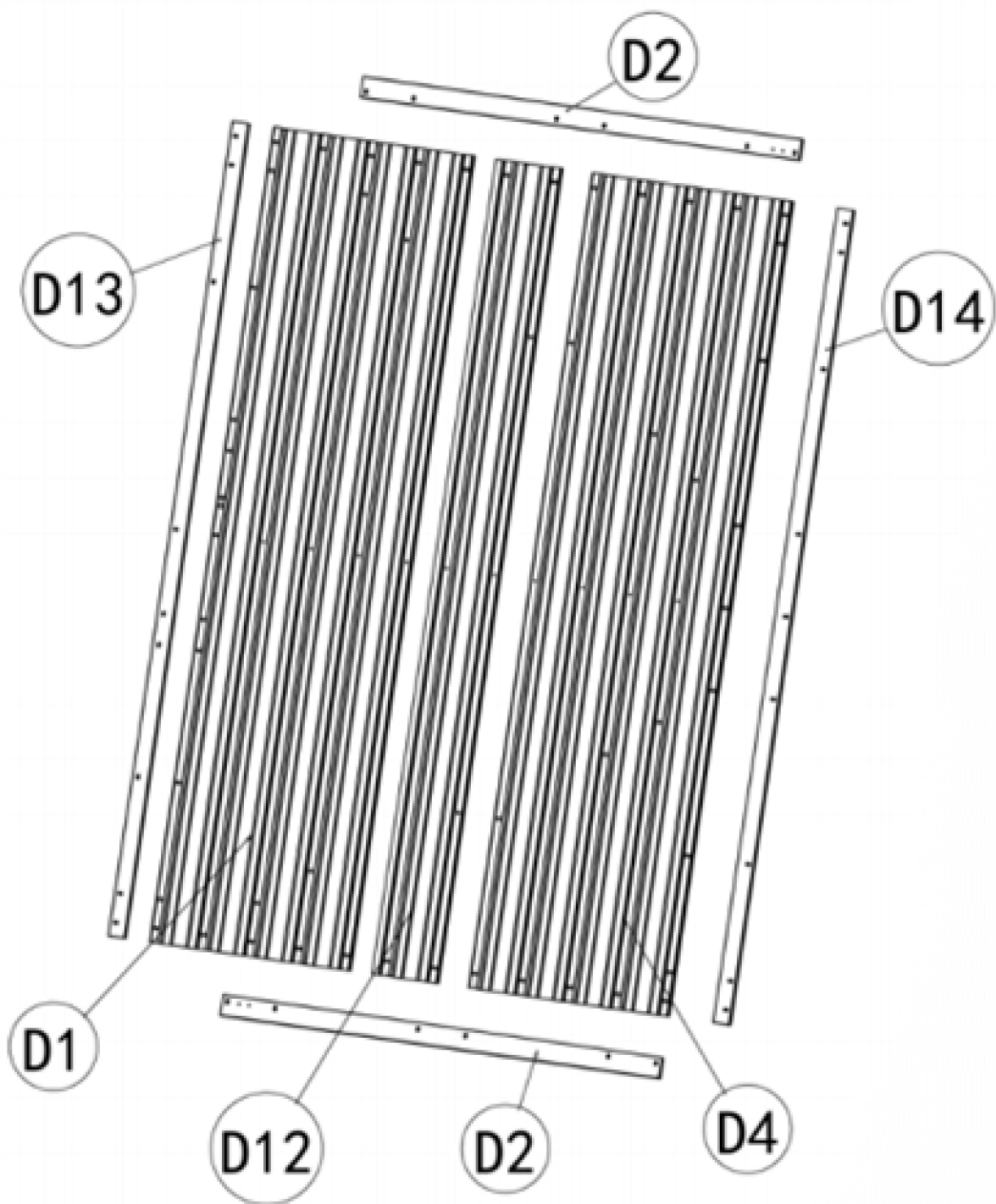
Left door installation



45

					
D2 2pcs	D13 1pcs	D14 1pcs	D1 1pcs	D12 1pcs	D4 1pcs

Right door installation



46

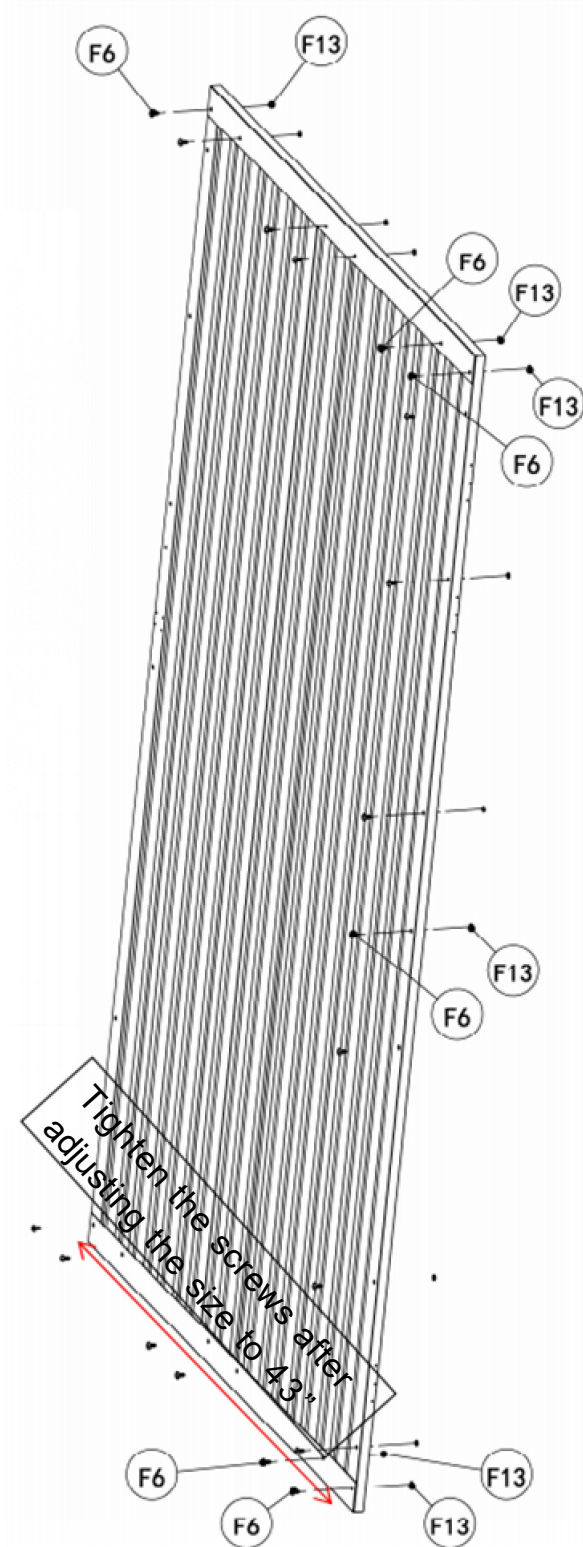


F13
18pcs



F6
18pcs

Right door installation



47



F13
12pcs



F6
12pcs



F1
8pcs



D8
2pcs



D7
2pcs

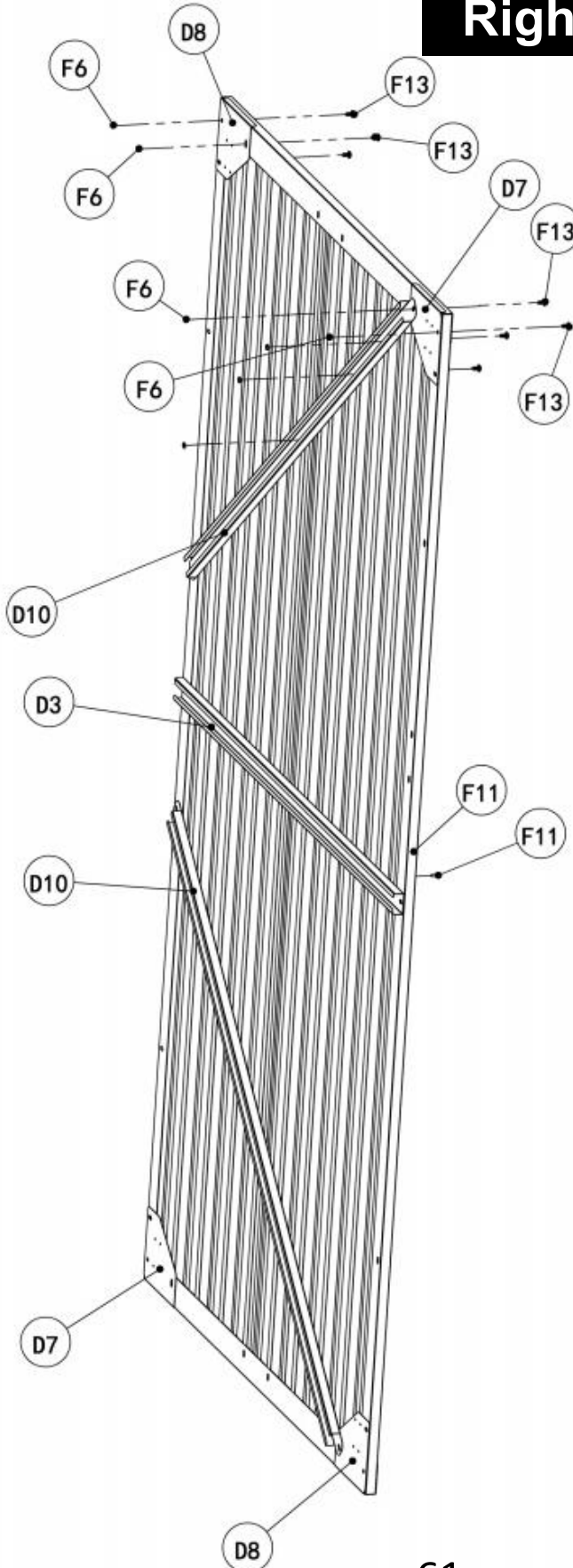


D3
1pcs



D10
2pcs

Right door installation



48



F12
2pcs



F17
2pcs



F11
11pcs



D9
1pcs

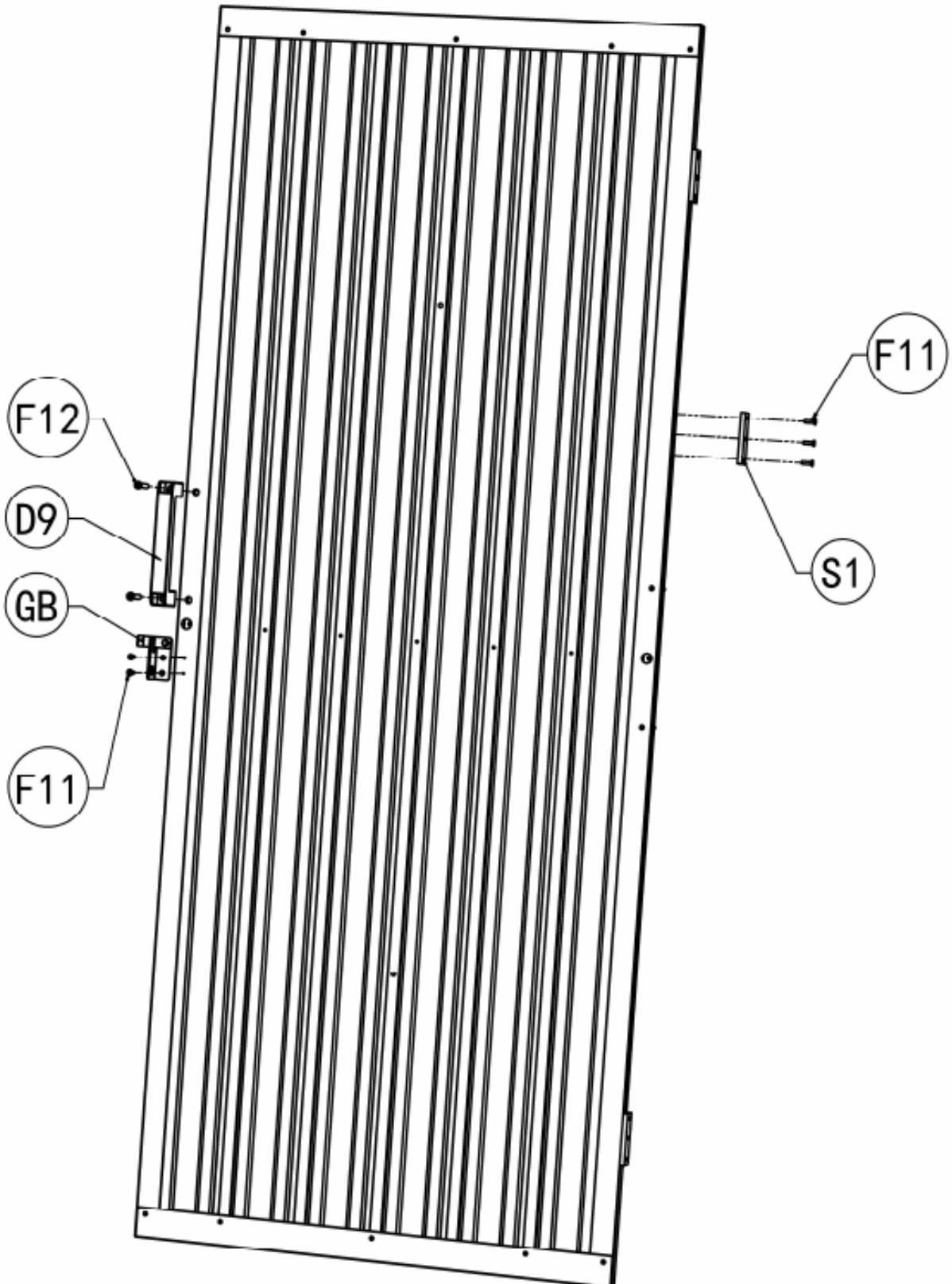


GB
1pcs



S1
3pcs

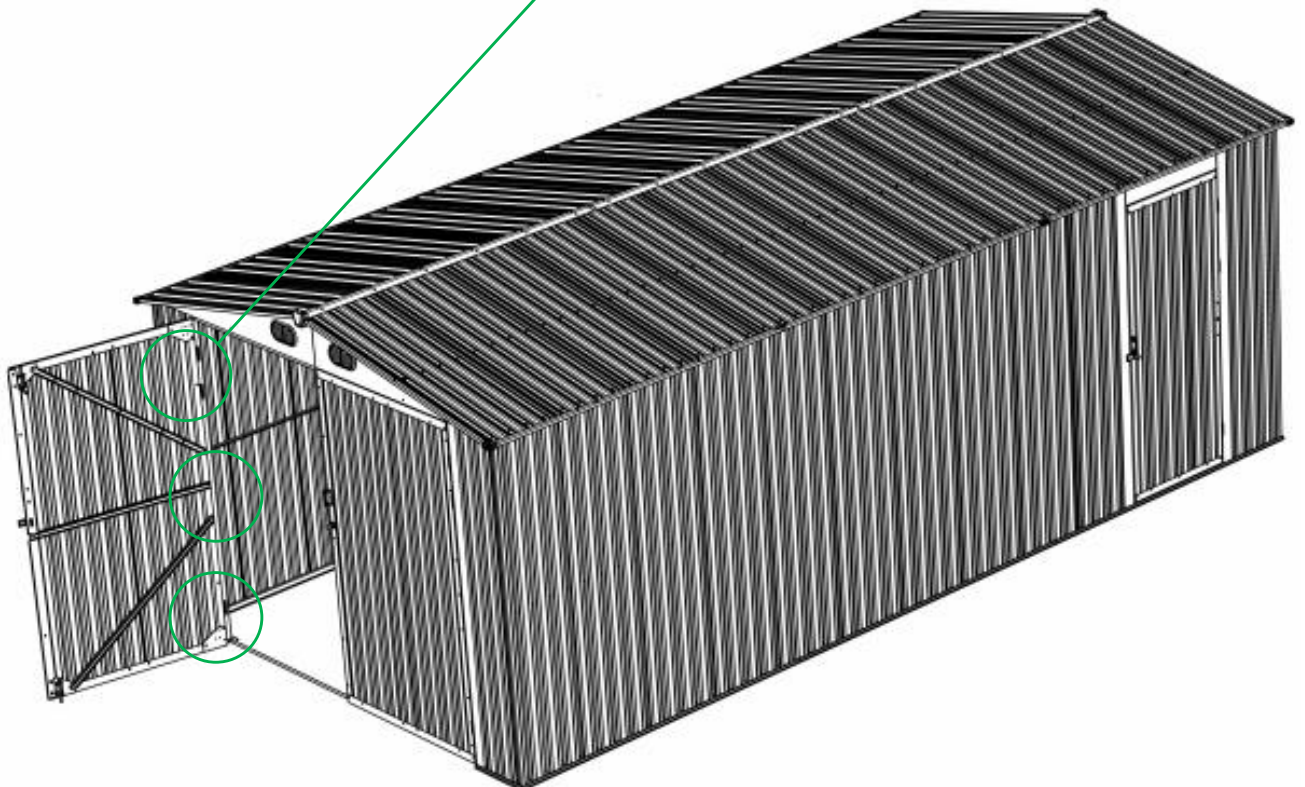
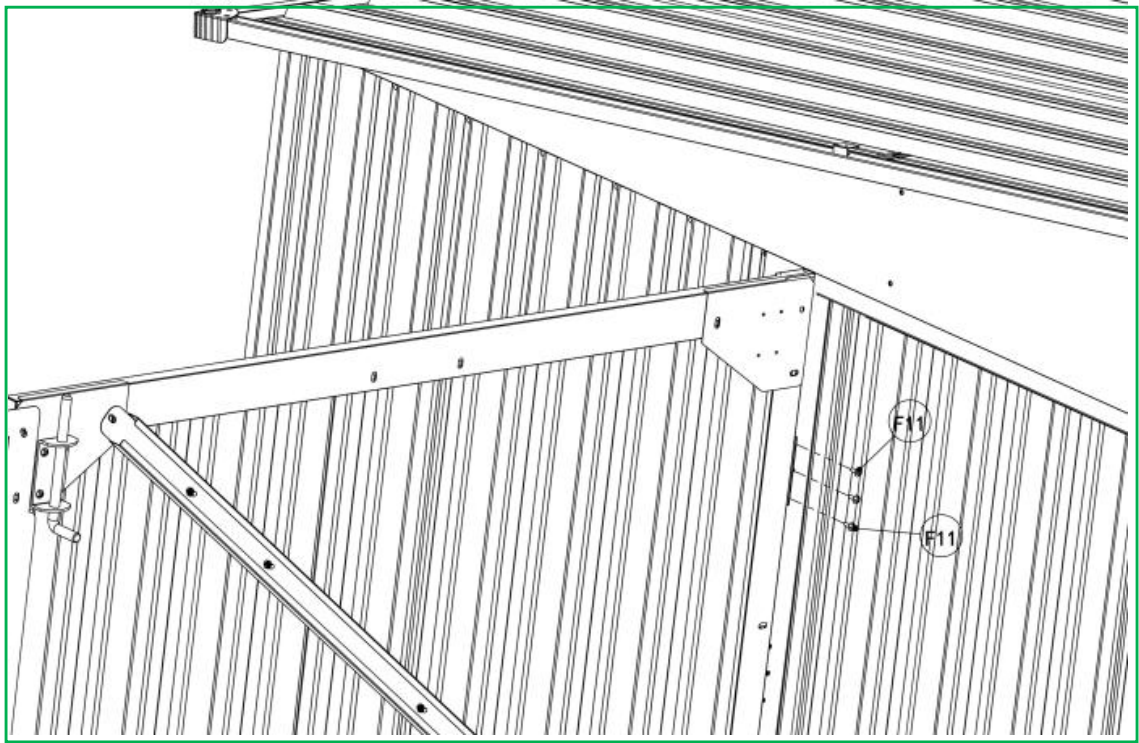
Right door installation



49



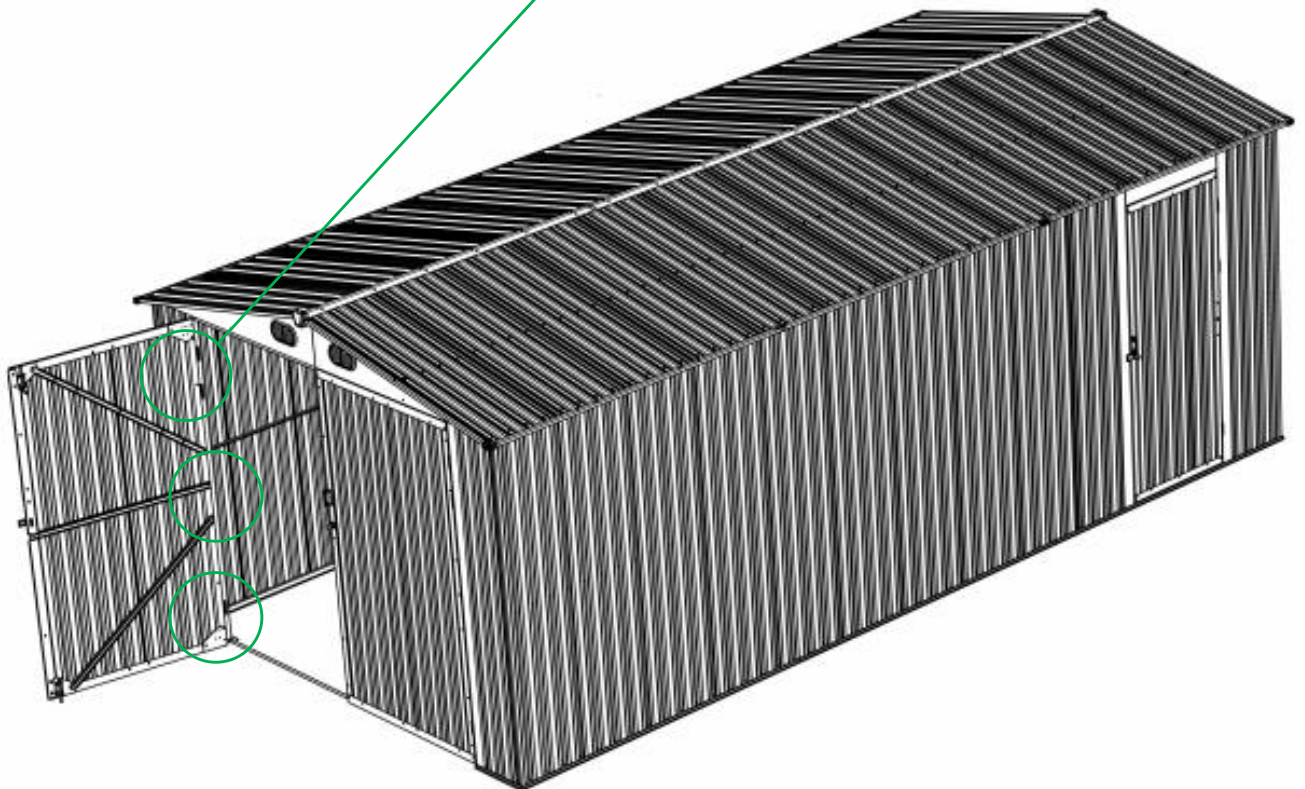
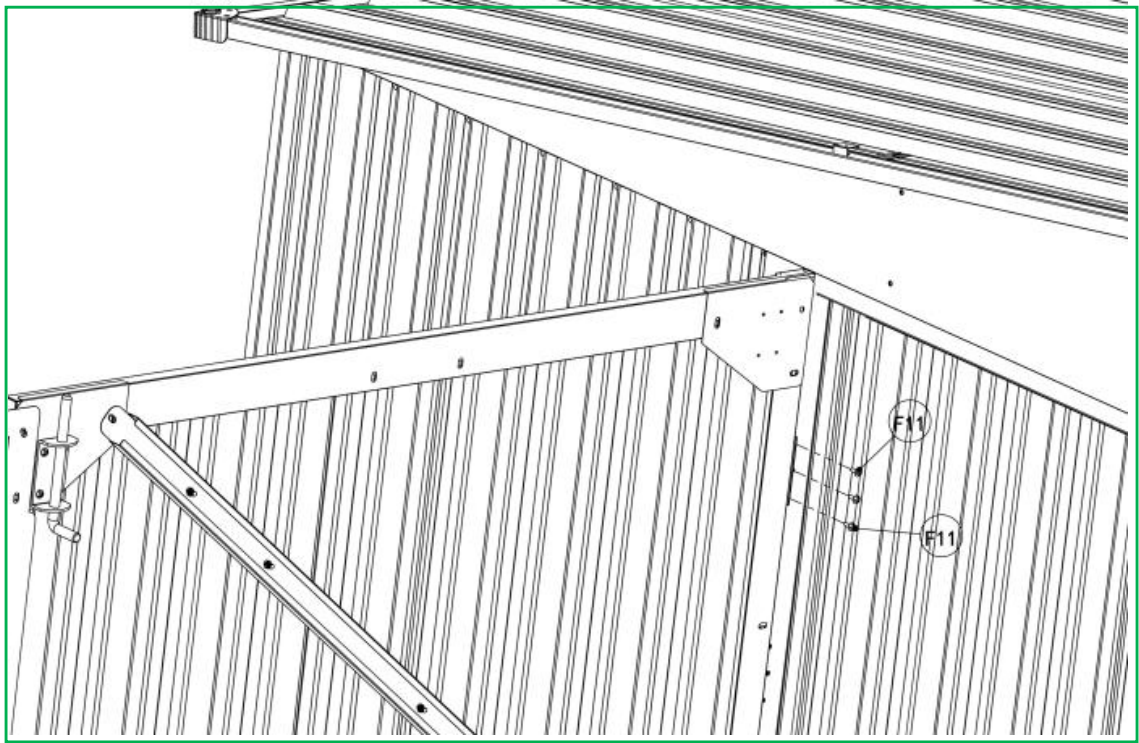
F11
9pcs



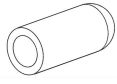
50



F11
18pcs



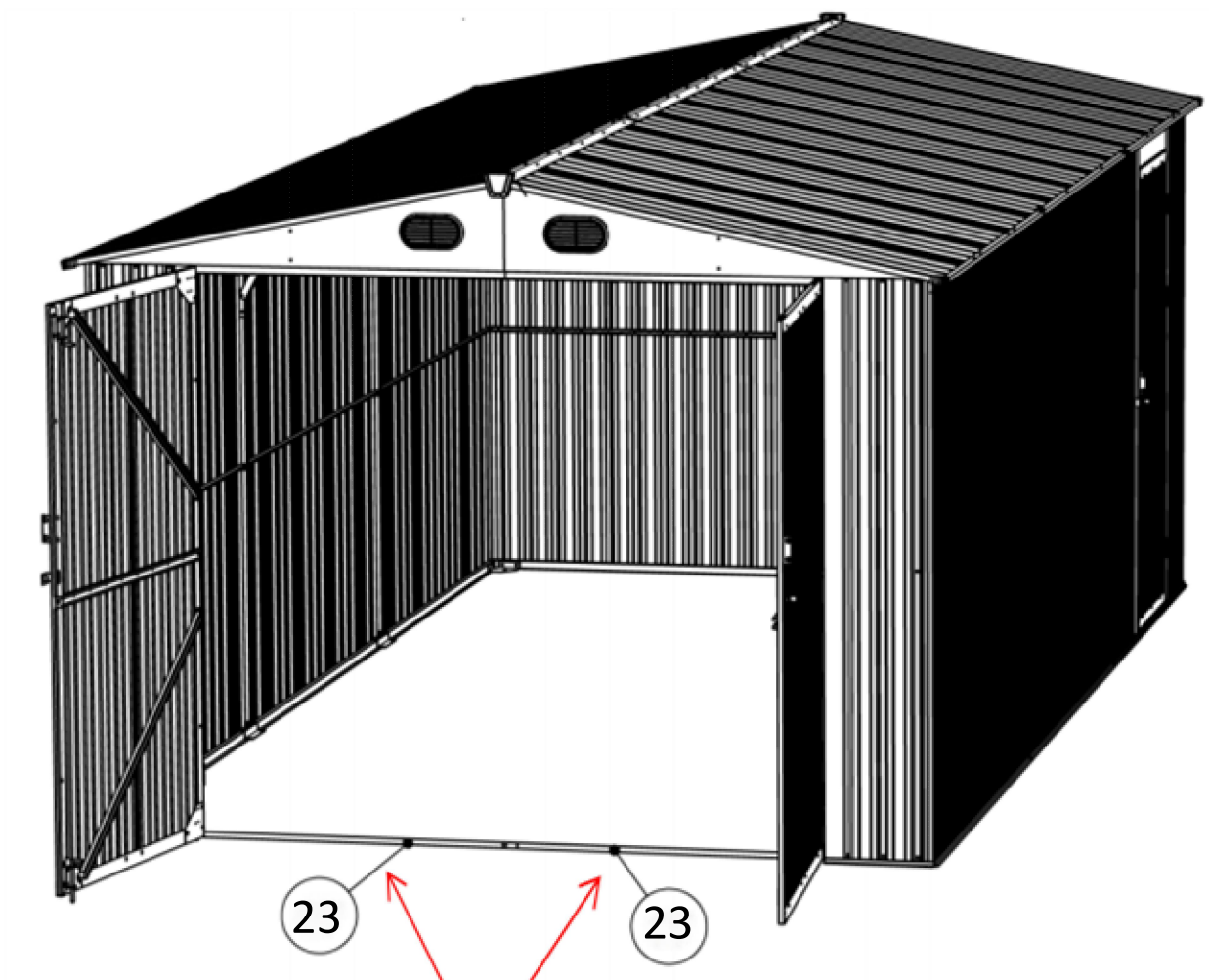
51



F8
302pcs

Expose F1 inside and outside the house
and apply F8

Remove 2 pieces of 23 if needed.



Remove

52



These attachments are supplementary parts for door installation and not included in the packaging, no installation is required if not needed.

This accessory is a supplementary part for door installation

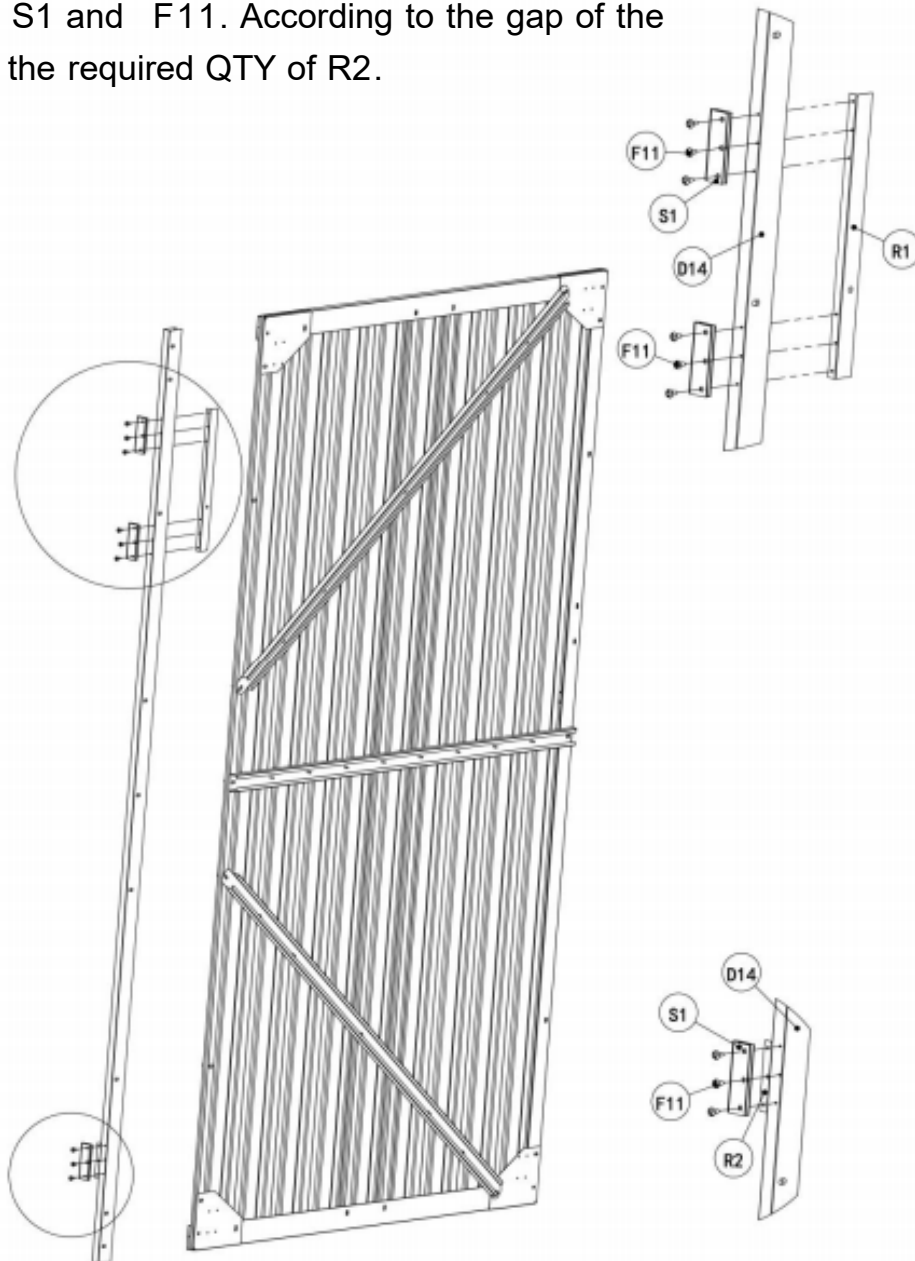
When the hinge can not lock tightly Use L1 and R1 to adjust.

When the ground is uneven or door inclined. Put R2 outside to adjust.

Right Door

1. When the hinge can not lock tightly. First remove the F11 screw on the D14 on the right door, and then put R1 inside of D14 and lock with S1 and F11. Then install D14 on the door.

2. When the ground is uneven or door inclined. Put R2 outside of D14 and lock with S1 and F11. According to the gap of the door to determine the required QTY of R2.



53



L1
1pcs



R2
1pcs

These attachments are supplementary parts for door installation and not included in the packaging, no installation is required if not needed.

Left Door

1. When the hinge can not lock tightly. First remove the F11 screw on the D6 on the left door, and then put L1 inside of D6 and lock with S1 and F11. Then install D6 on the door.

2. When the ground is uneven or door inclined. Put R2 outside of D6 and lock with S1 and F11. According to the gap of the door to determine the required QTY of R2.

