












# Assembly Instructions

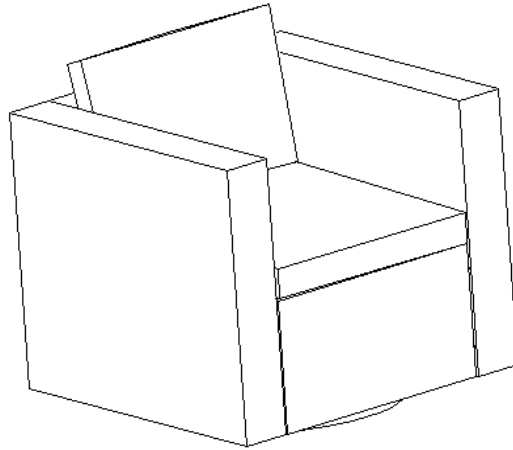
**Caution : You must read this before you proceed**

## Care & Maintenance

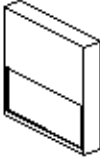
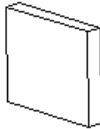
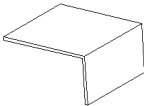
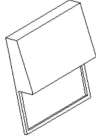
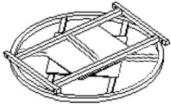
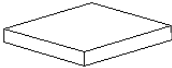
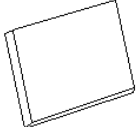
- ⊘  ● Not for commercial use. For residential use only.
  - ⊘  ● Prolonged exposure to rain may cause rusting which can stain floors.
  - ⊘  ● Do not put hot items directly on furniture surface.
  - ⊘  ● Do not clean furniture with harsh cleansers or polish.
  - ✓  ● To obtain the longest lifespan of your outdoor products, minimizing exposure to direct sunlight is recommended.
  - ⊘  ● Children should not climb or jump on the furniture.
  - ⊘  ● Do not write on furniture without a padded barrier to protect the surface.
  - ✓  ● To obtain the longest lifespan of your outdoor products, avoid extended and lengthy exposure to rain, snow, and direct sunshine. Whenever possible cover the product and /or place under patio or awnings.
  - ⊘  ● Stains may be removed with mild soap solution and damp cloth.
  - ✓  ● Keep away from sources of ignition.
- 
- ✓  ● Dust and pick-up spills using a clean, non-colored, lint-free cloth.

Please look in carton for hardware packs and legs.  
 Sets often ship in multiple boxes and may arrive a day or two apart.

## Swivel Chair



### Parts List

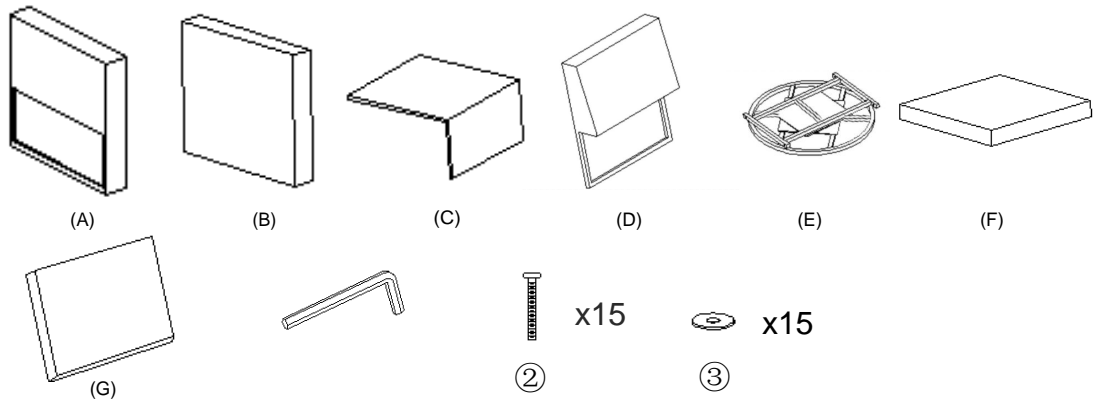
Label	Picture	Description	QTY
A		Right Armrest	1
B		Left Armrest	1
C		Seat	1
D		Backrest	1
E		Swivel Plate (Pre-attached Levellers)	1
F		Seat Cushion	1
G		Back Cushion	1

# Hardware

Label	Picture	Description	QTY
①		Bolt (M6*35mm)	15
②		Washer	15
③		Allen Wrench	1

# Assembly Preparation

Before Beginning Assembly:



- Read instructions, cover to cover-



- Have 2 adults on hand for assembly-



- Do not assemble on flooring or carpet-



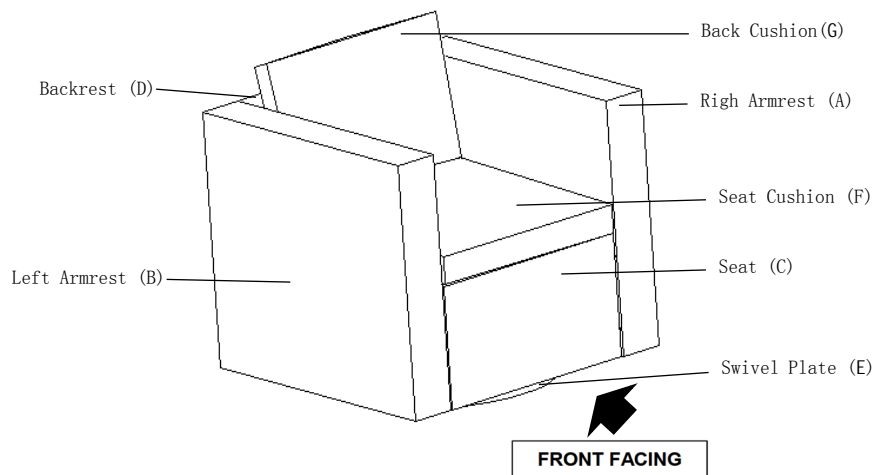
- Assemble on a clean non-marring surface (packing foam)-



- Save all packaging until finished-

# Assembly Steps

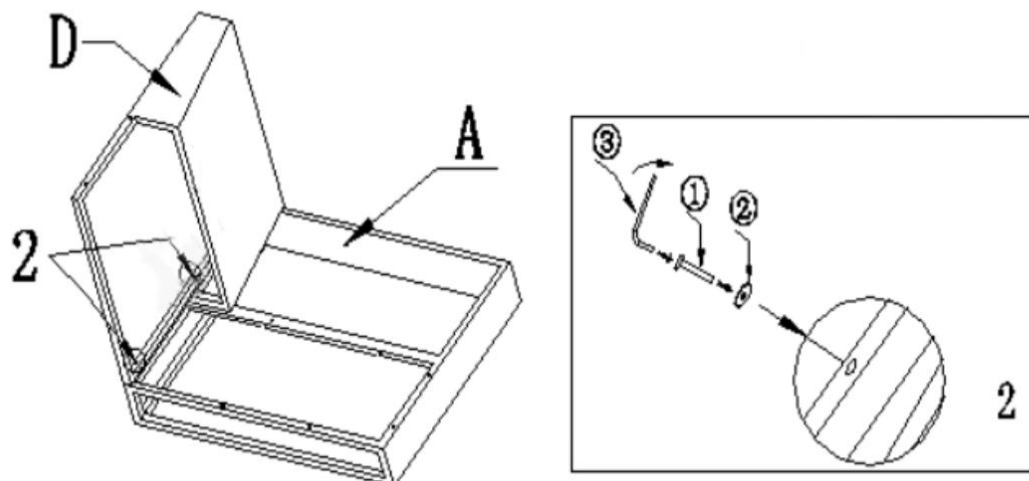
## Overview



This Swivel Chair has multiple parts and may require up to 30 minutes to assemble. To give you an overview of the Swivel Chair parts, the above picture is to help you put the various parts into perspective. Please read through the instructions below to familiarise yourself with the parts and steps before assembly.

## Assembly Steps

### Step 1



Open the carton and place all the parts onto a clean, non-marring surface.

Place the Right Armrest(A) with its inside facing skywards.

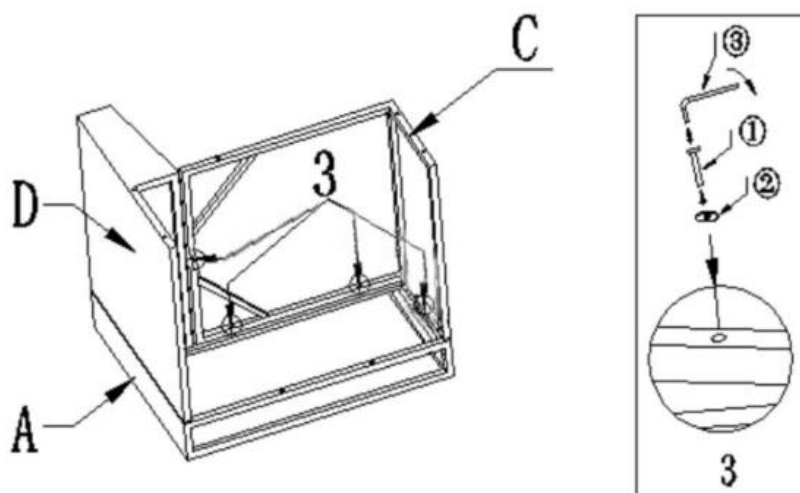
Align the Backrest(D) with Right Armrest(A), by inserting the Dowel on the Backrest(D) into the mounting position of the Right Armrest(B) as shown above.

Attach Backrest(D) to Right Armrest(A) using Bolts(①), and Washers(②) with Allen Wrench(③).

**Do not fully tighten the Bolts.**

**Note: Occasionally some of the PE wicker will cover the Bolt points, preventing easy assembly, the PE wicker should not be cut but moved away from the mounting positions.**

### Step 2

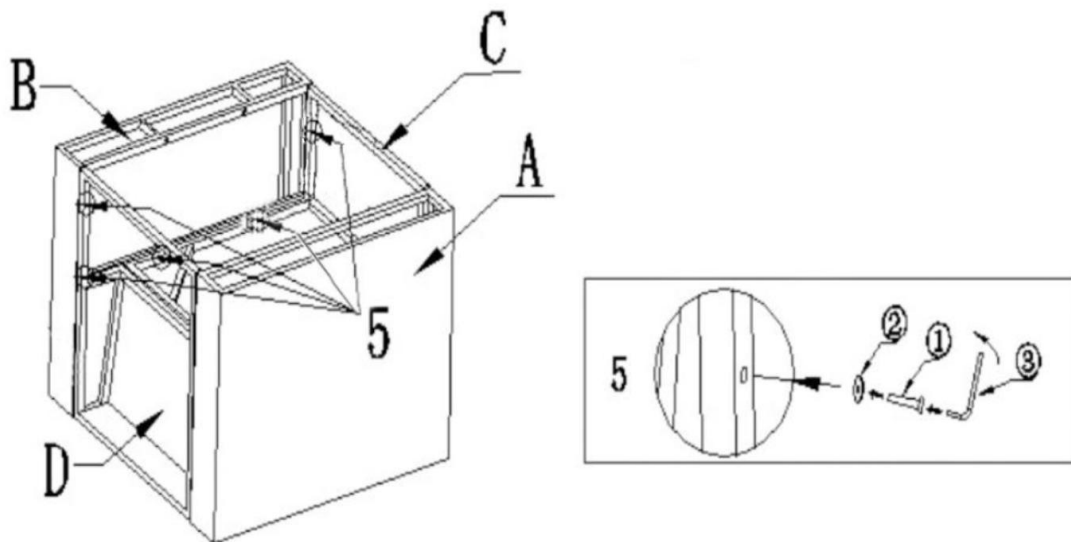


Place the Seat(C) between the Right Armrest(A) and Backrest(D).

Attach Seat(D) to Right Armrest(B) using Bolts(①), and Washers(②) with Allen Wrench(③) as shown above.

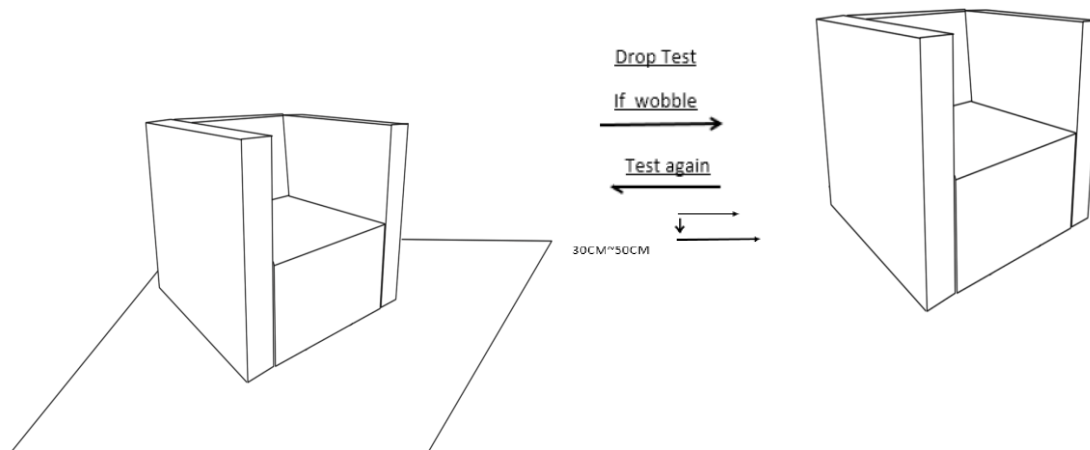
**Do not fully tighten the Bolts.**

### Step 3



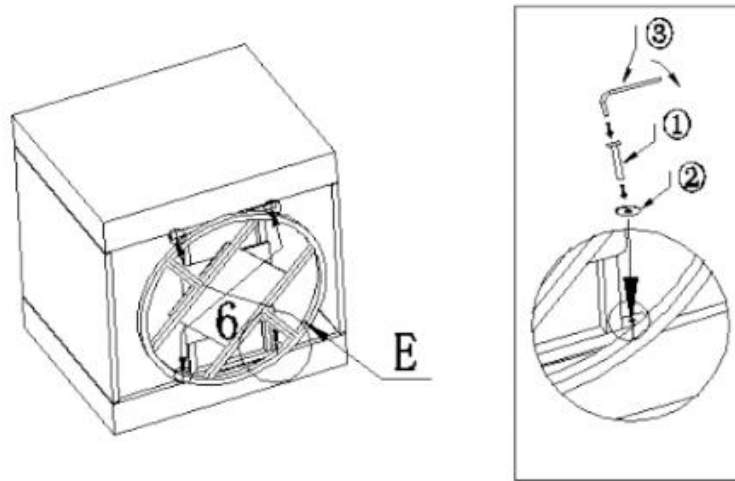
With the help of an adult partner, stand the Chair up.  
Align the Left Armrest with Backrest(D) and Seat(C) by inserting the Dowel on the Backrest(D) into the Left Armrest(B).  
Attach Left Armrest(B) to Seat(C) and Backrest(D) using Bolts(①), and Washers(②) with Allen Wrench(③).  
**Do not fully tighten the Bolts.**

### Step 4



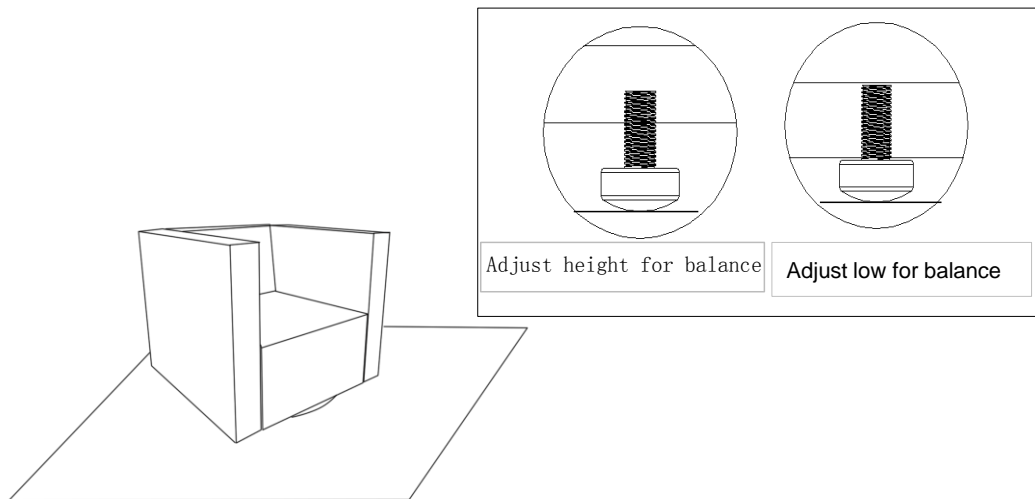
With the help of your adult partner, place the Chair on a level surface to check for wobbles.  
If it wobbles, lift the Chair some 30cm to 50cm high from the ground.  
Keep your feet and toes well away from the drop zone.  
Drop the Chair freely and vertically with all four legs, hitting the ground, all at the same time.  
This Drop Test will help to ensure that all the Bolts and gaps reach full alignment status.  
Test again for evenness on a level surface.  
If no wobbles are found, slowly and steadily, place the Chair facedown.  
Then, proceed to tighten all Bolts at all joints in a sequential manner.  
**When tightening the Bolts, tighten sequentially.**  
**DO NOT tighten any Bolt fully and then move on towards the next one.**  
**This could cause the frame to warp. If there are still wobbles, loosen the Bolts and execute the same drop test.**  
**If the Chair is not stable, it could lead to damage to the product.**

## Step 5



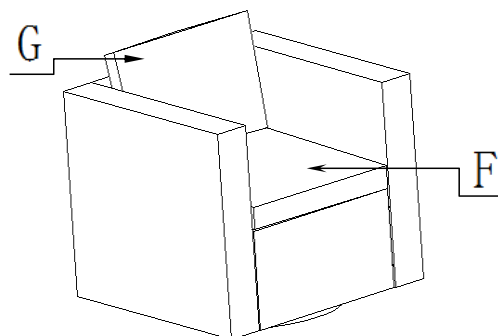
With the help of your adult partner, lay the Chair down on a clean, non-marring surface. Place the Swivel Plate(E) between the inner bottom bars of the Left Armrest(B) and Right Armrest(A). Attach the Swivel Plate(E) to Left Armrest(B) and Right Armrest(A) using Bolts(①), and Washers(②) with Allen Wrench(③). **Please attach the Swivel Plate(E) to the Armrest on the floor first. Then, with the help of your adult partner, turn the Chair over onto the other Armrest and assemble the Swivel Plate(E).** Tighten all Bolts fully in a sequential manner.

## Step 6



With the help of your adult partner, stand the Swivel Chair up. Adjust the Pre-attached Levellers on the Swivel Plate(E) until the Chair is level with the ground.

## Step 6



Place the Seat Cushion(F) and Back Cushion(G) on the Swivel Chair. Your Swivel Chair is ready for use. **This Swivel Chair can only be used on a flat, level surface.**

## Questions & Answers about Proposition 65

- What is Proposition 65?

Proposition 65 requires businesses to provide warnings to Californians about significant exposures to chemicals that cause cancer, birth defects or other reproductive harm. These chemicals can be in the products that Californians purchase, in their homes or workplaces, or that are released into the environment. By requiring that this information be provided, Proposition 65 enables Californians to make informed decisions about their exposures to these chemicals.

Proposition 65 also prohibits California businesses from knowingly discharging significant amounts of listed chemicals into sources of drinking water.

Proposition 65 requires California to publish a list of chemicals known to cause cancer, birth defects or other reproductive harm. This list, which must be updated at least once a year, has grown to include approximately 900 chemicals since it was first published in 1987.

- What types of chemicals are on the Proposition 65 list?

The list contains a wide range of naturally occurring and synthetic chemicals that include additives or ingredients in pesticides, common household products, food, drugs, dyes, or solvents. Listed chemicals may also be used in manufacturing and construction, or they may be byproducts of chemical processes, such as motor vehicle exhaust.

- What does a warning mean?

If a warning is placed on a product label or posted or distributed at a workplace, a business, or in rental housing, the business issuing the warning is aware or believes that it is exposing individuals to one or more listed chemicals.

By law, a warning must be given for listed chemicals unless the exposure is low enough to pose no significant risk of cancer or is significantly below levels observed to cause birth defects or other reproductive harm.

- Where can I get more information on Proposition 65?

If you have specific questions on the administration or implementation of Proposition 65, you can contact OEHHA's Proposition 65 program at [P65.Questions@oehha.ca.gov](mailto:P65.Questions@oehha.ca.gov), or by phone at (916) 445-6900.