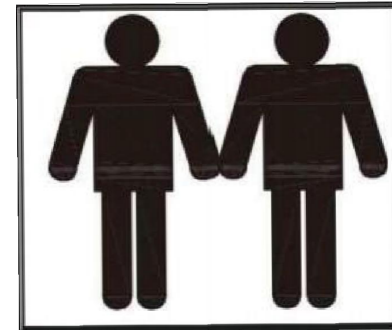
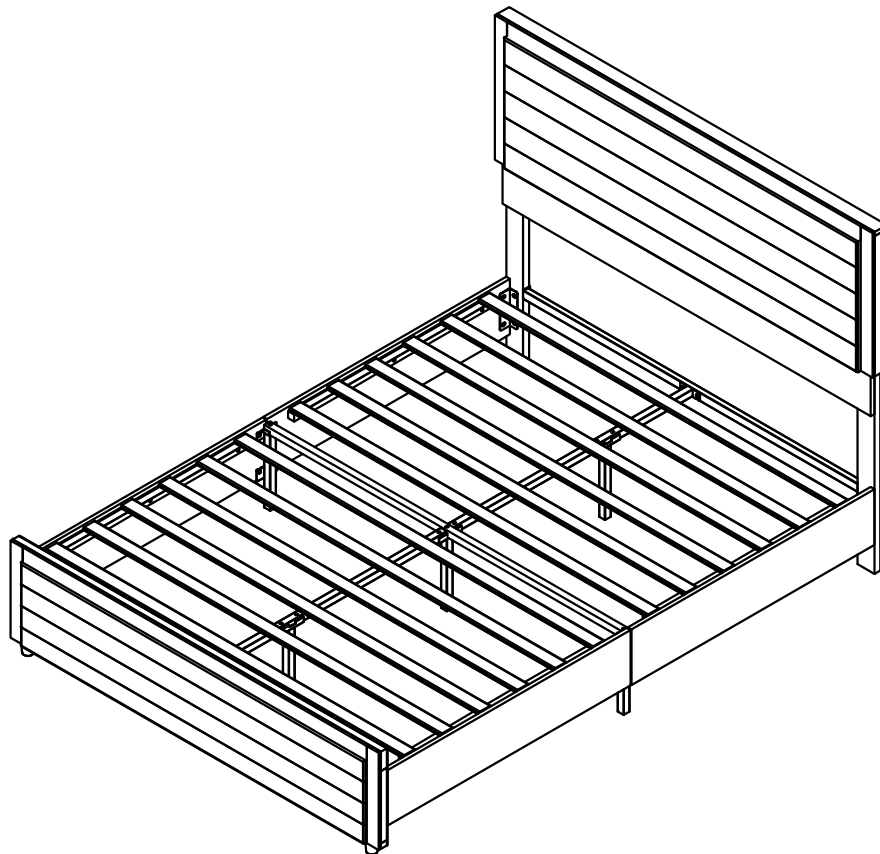


Assembly Instruction

Note:

1. Should be assembled on flat ground to keep balance.
2. Before completing the installation, do not tighten the screws.

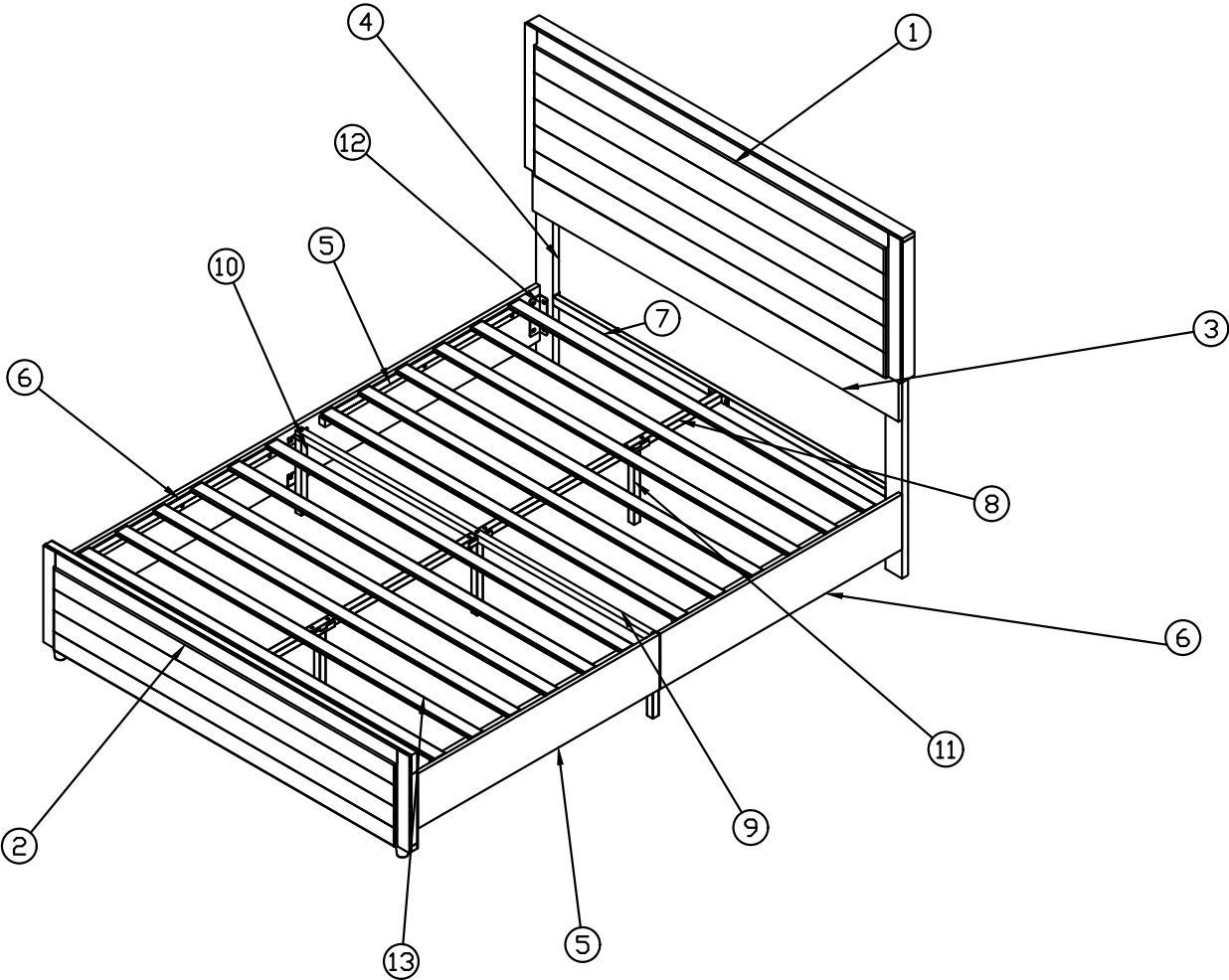


It needs at least two people to install.







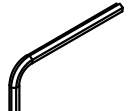
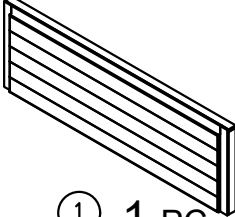
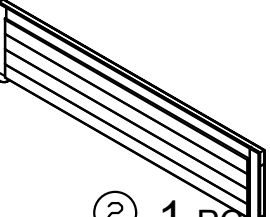
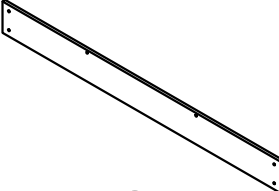

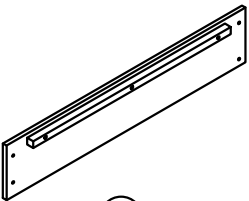
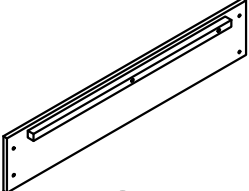
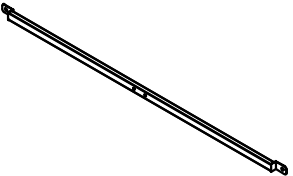
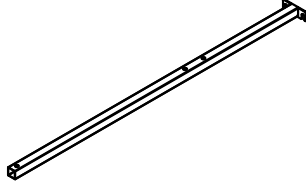
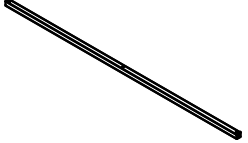

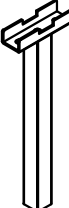
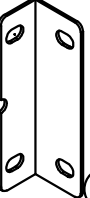
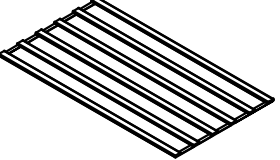

Before starting the assembly, you must read the whole manual and follow the instructions.

Assembly Instruction





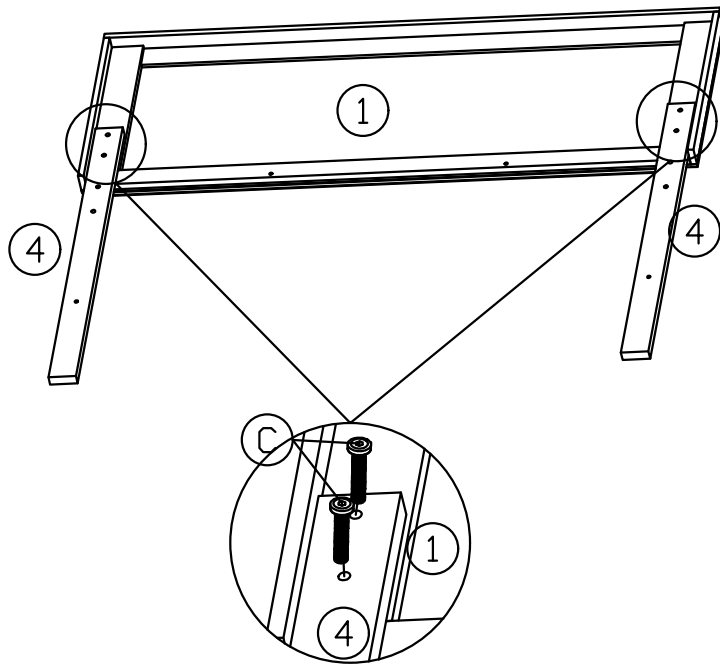
Assembly Instruction




Hardware Parts

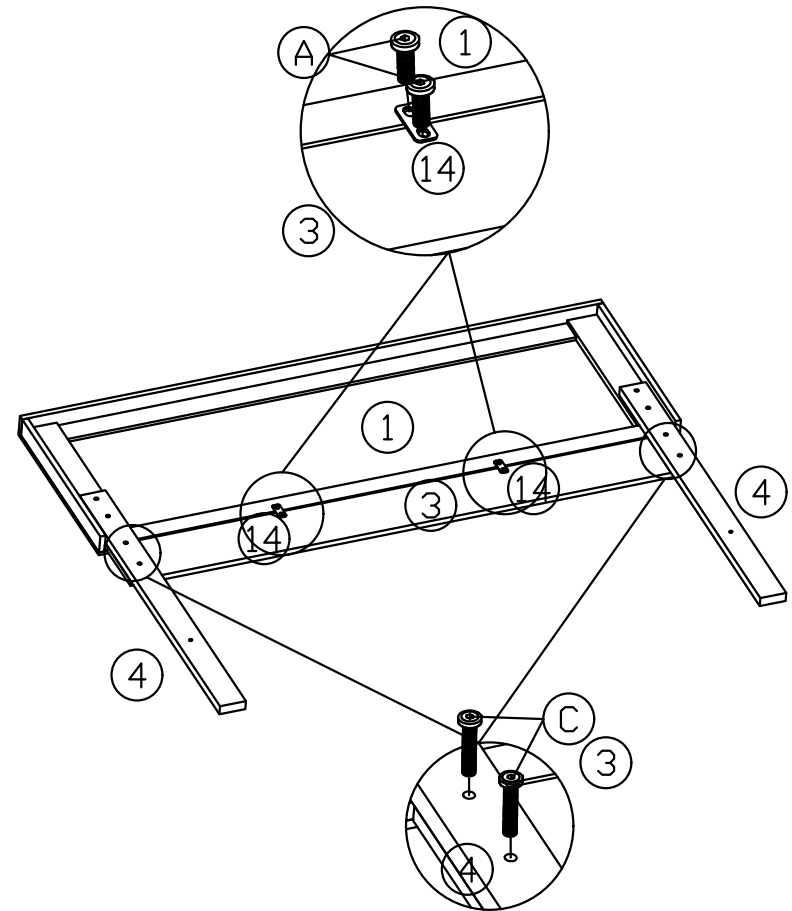
 <p>Ⓐ M8x20 34pcs</p>	 <p>Ⓑ M8x35 8pcs</p>	 <p>Ⓒ M8x40 8pcs</p>	 <p>Ⓓ M8x45 1pc</p>	 <p>Ⓔ 4 # 1pc</p>	
Part list					
 <p>① 1 PC</p>	 <p>② 1 PC</p>	 <p>③ 1 PC</p>	 <p>④ 2 PCS</p>	 <p>⑤ 2 PCS</p>	 <p>⑥ 2 PCS</p>
 <p>⑦ 1 PC</p>	 <p>⑧ 2 PCS</p>	 <p>⑨ 1 PC</p>	 <p>⑩ 2 PCS</p>	 <p>⑪ 3 PCS</p>	 <p>⑫ 4 PCS</p>
 <p>⑬ 2 PCS</p>	 <p>⑭ 2 PCS</p>				<p>Page 3/9</p>

Assembly Instruction



C		M8x40	4PCS
E			1PC

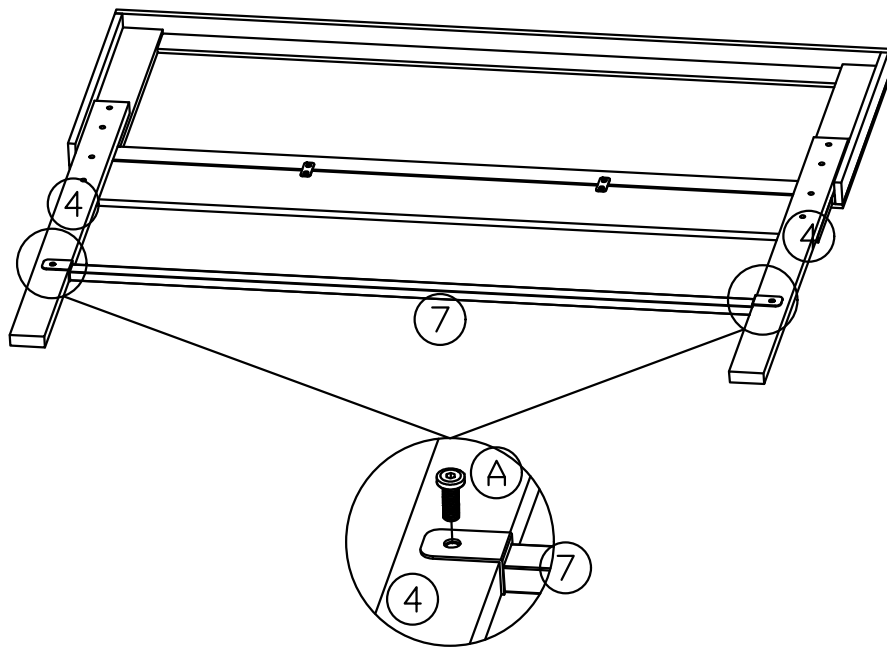




C		M8x40	4PCS	A		M8x20	4PCS
E			1PC				



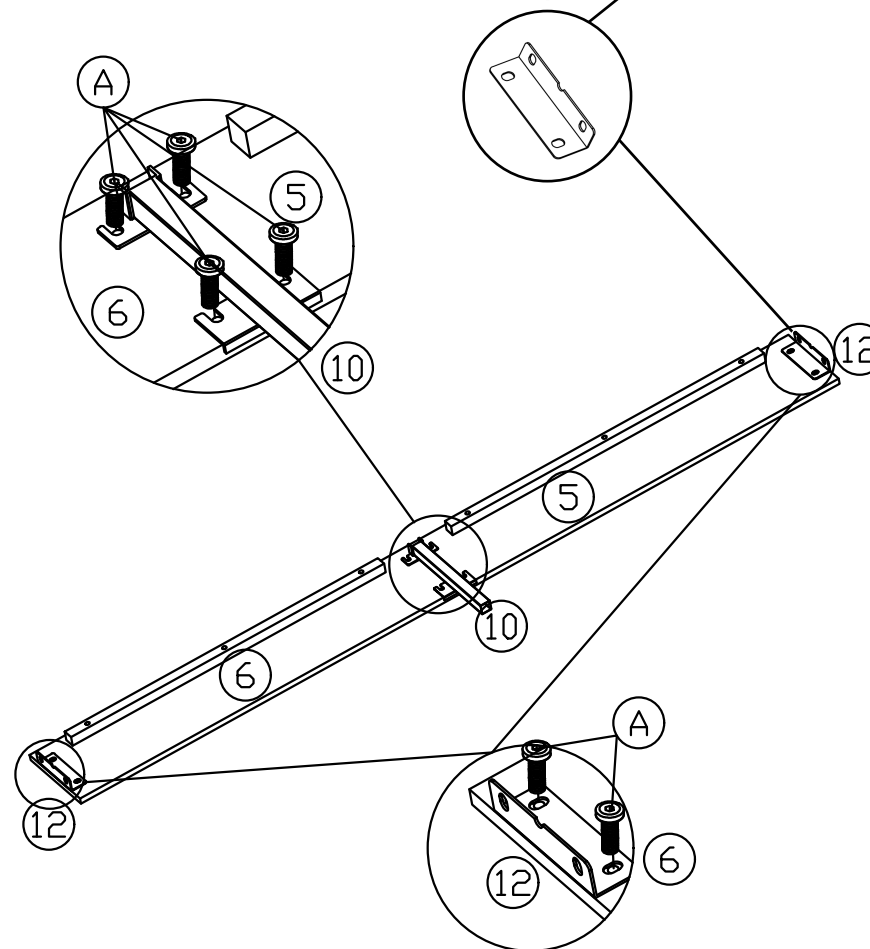
Assembly Instruction

A		M8x20	2PCS
E			1PC





A		M8x20	8PCS
E			1PC

Note: When installing, keep this notch facing upwards.

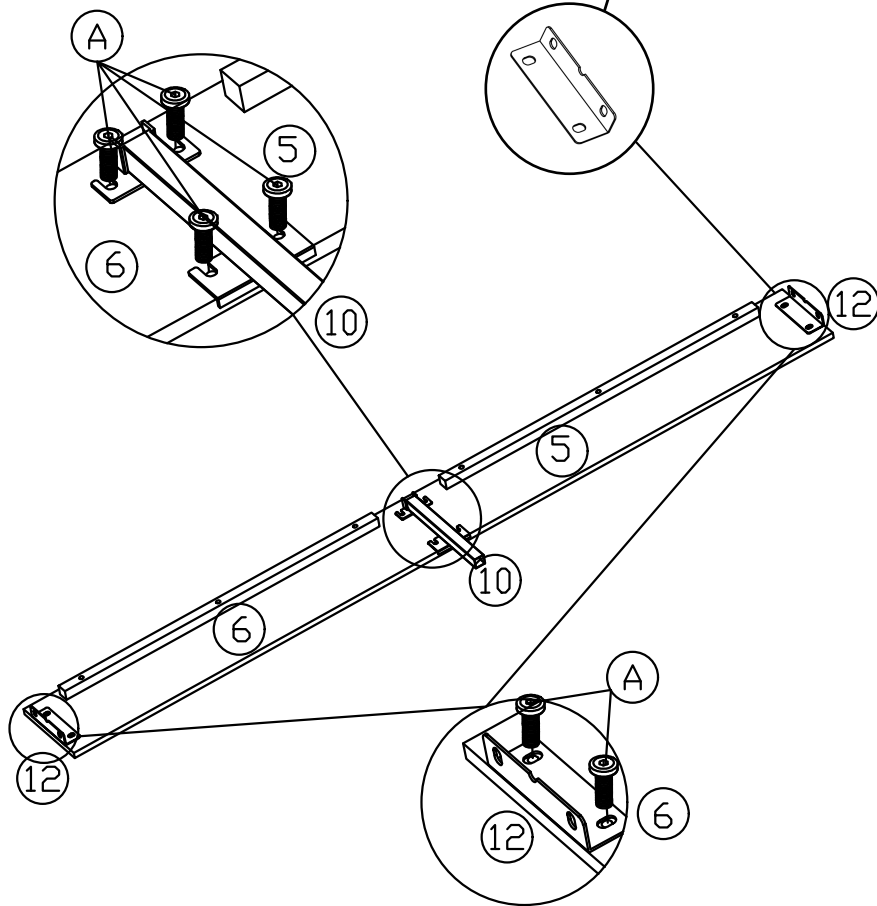




Assembly

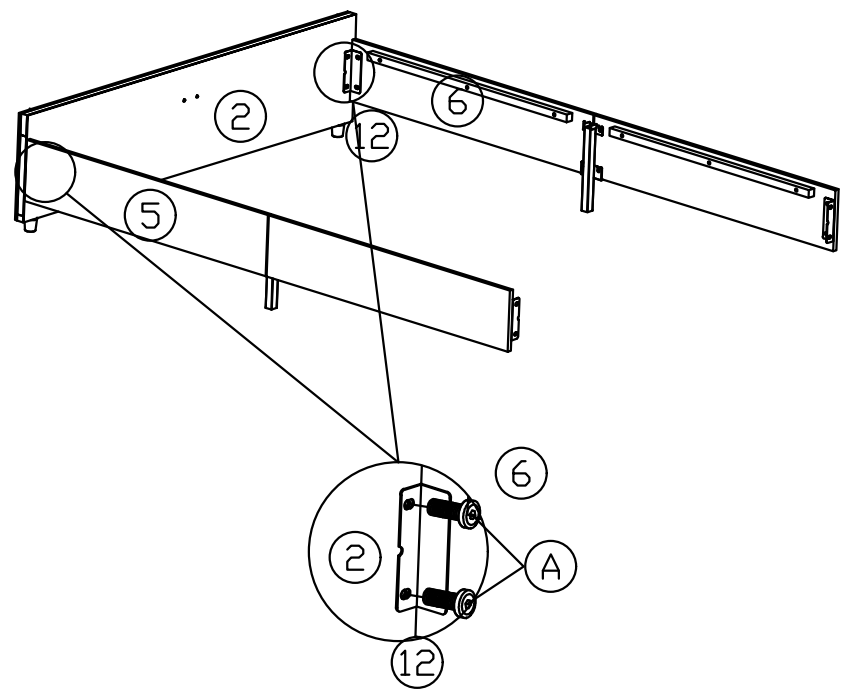
Instruction

A		M8x20	8PCS
E			1PC

Note: When installing, keep this notch facing upwards.





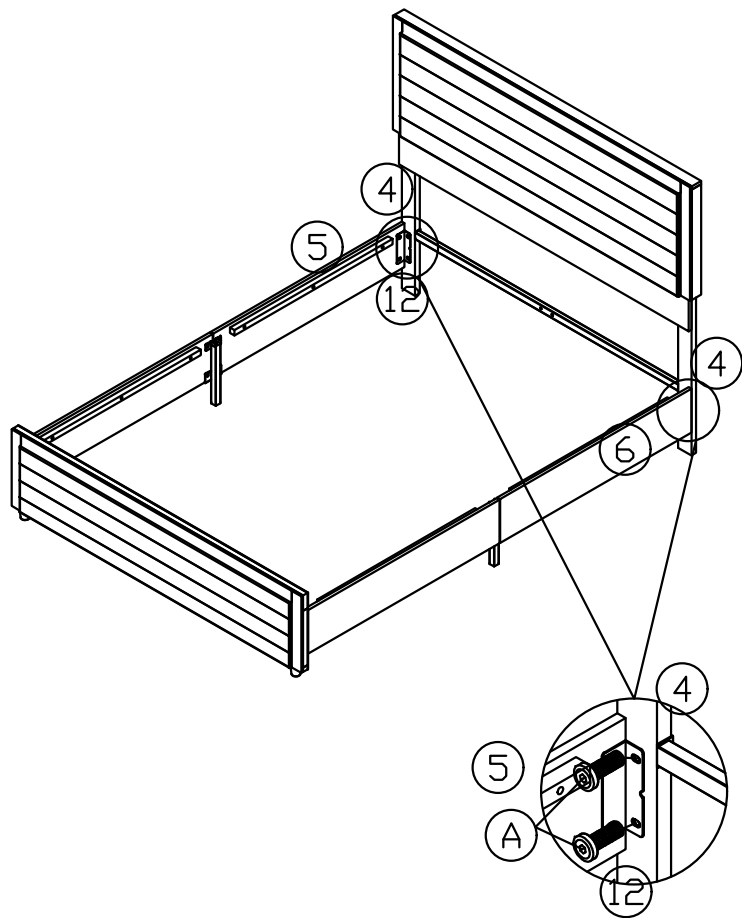
A		M8x20	4PCS
E			1PC





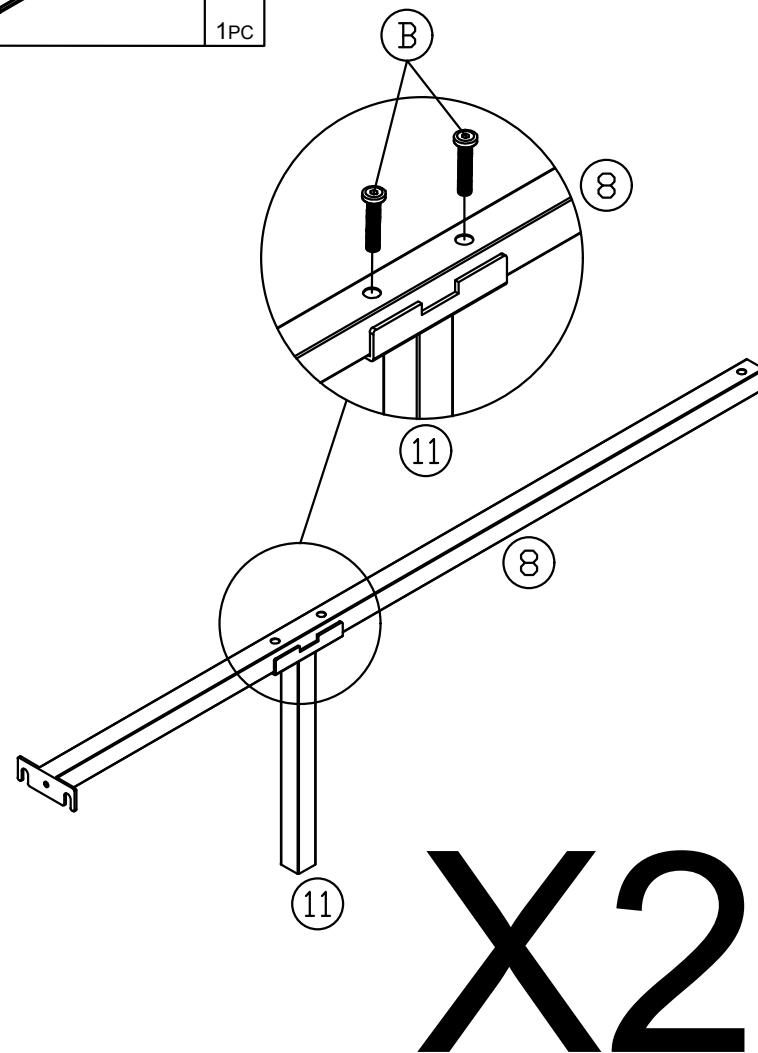
Assembly

Instruction

A		M8x20	4PCS
E			1PC









B		M8x35	4PCS
E			1PC

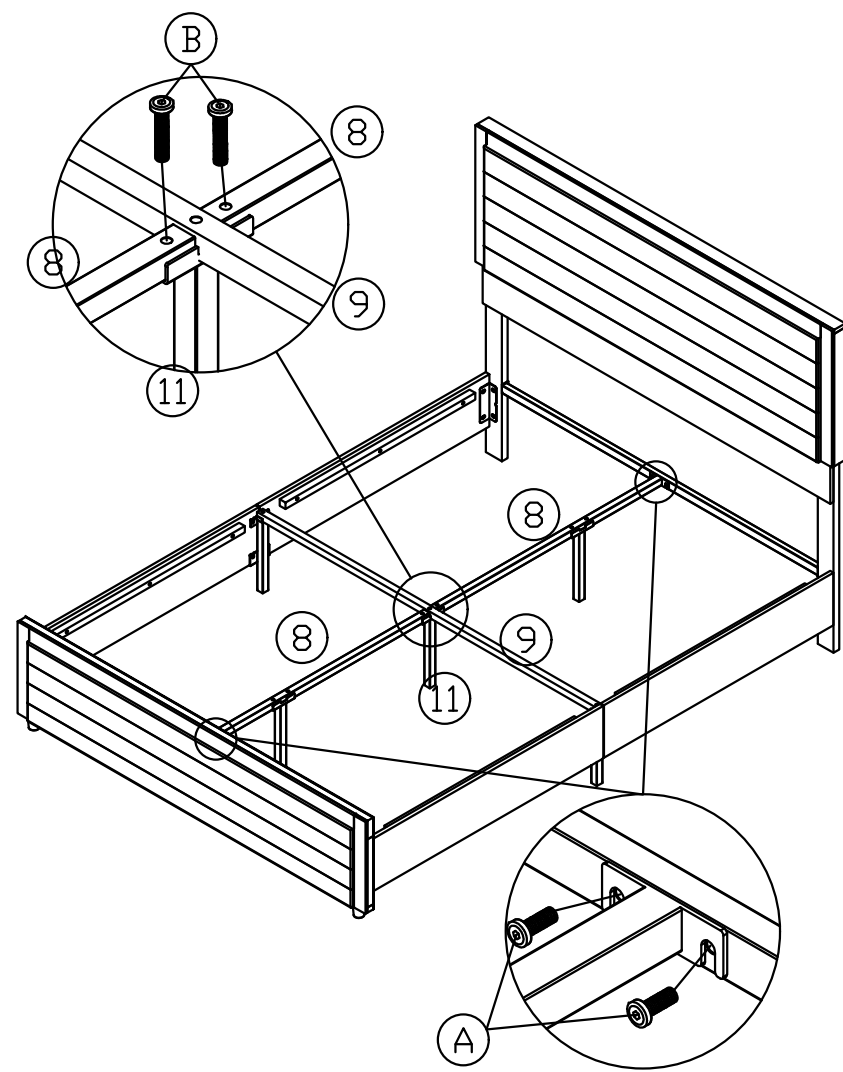
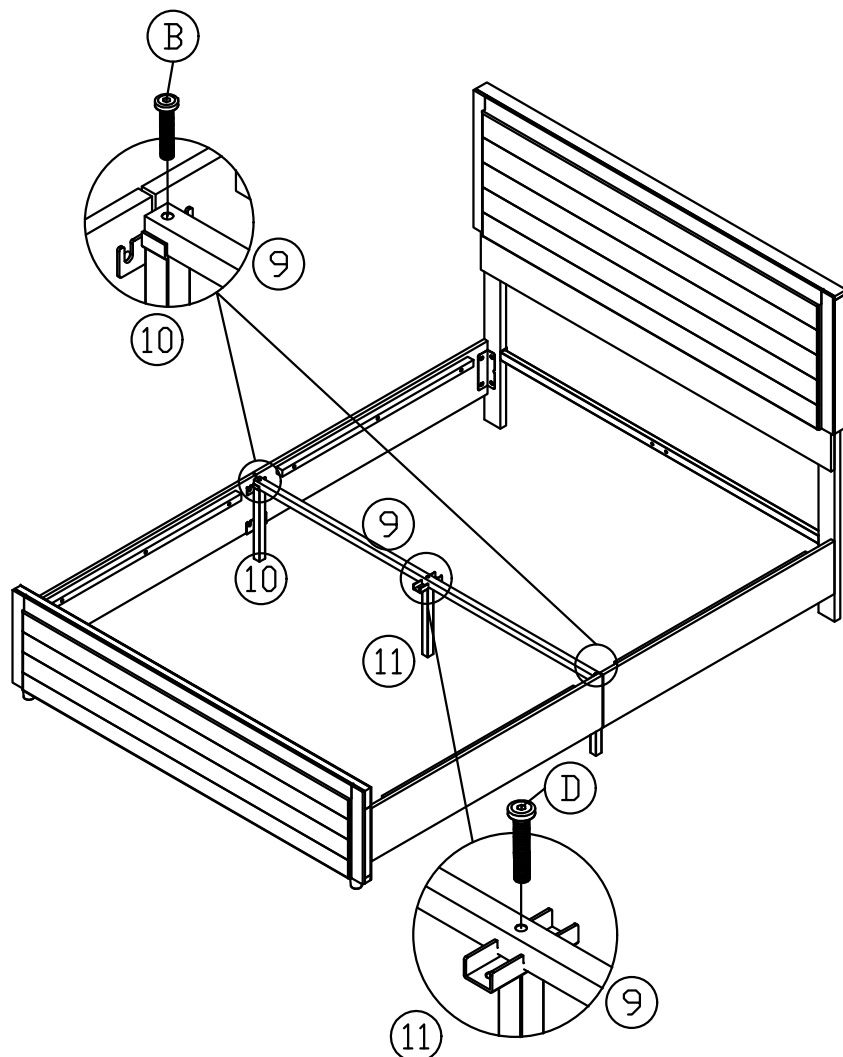


Assembly

Instruction

B		M8x35	2PCS	D		M8x45	1PC
E			1PC				

B		M8x35	2PCS	A		M8x20	4PCS
E			1PC				



Assembly Instruction

