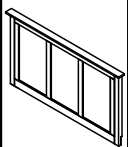
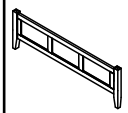

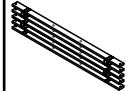

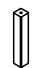








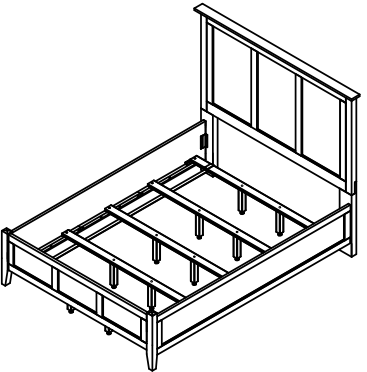







E.KING LOW PROFILE BED

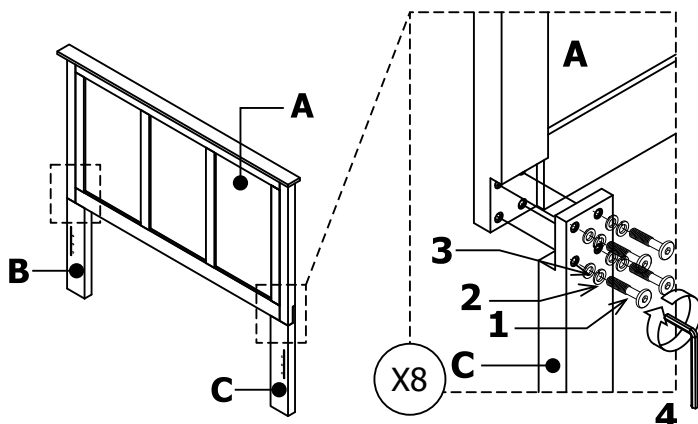
OWNER'S MANUAL

ASSEMBLY PARTS LIST

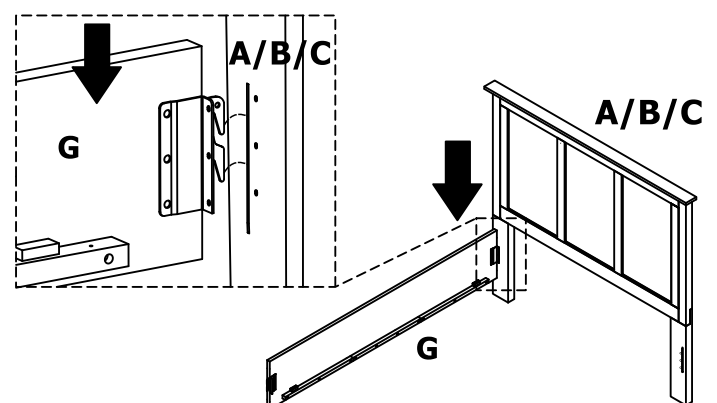
BOX 1 - HEADBOARD				BOX 2 - FOOTBOARD-SLATS			
PART NO.	IMAGE	DESCRIPTION	QUANTITY	PART NO.	IMAGE	DESCRIPTION	QUANTITY
A		HEADBOARD PANEL	1	D		FOOTBOARD	1
B		LEFT HEADBOARD LEG	1	E		BED SLAT	5
C		RIGHT HEADBOARD LEG	1	F		SUPPORT LEG	10
HEADBOARD HARDWARE KIT PACKED IN BOX 1				BED HARDWARE KIT PACKED IN BOX 2			
1		ALLEN BOLT (6X35mm)	8	5		PAN HEAD SCREW (6X15mm)	13
2		SPRING WASHER (M6)	8	6		WOOD SCREW (8x30mm)	11
3		FLAT WASHER (M6)	8	7		ALLEN KEY	1
4		ALLEN KEY	1	8		ALLEN BOLT (6X40mm)	11
LOW PROFILE BED FULLY ASSEMBLED				BOX 3 - SIDE RAILS			
				G		SIDE RAIL	2
    <p style="text-align: right; margin-right: 50px;">NOT PROVIDED</p> <div style="border: 1px solid black; padding: 5px; text-align: center; width: fit-content; margin: 0 auto;"> ASSEMBLE ON A SOFT SURFACE </div>							

ASSEMBLY INSTRUCTIONS

STEP 1 :
USE HEADBOARD HARDWARE PACKED IN BOX 1 FOR STEP 1.



STEP 2 :
USE HARDWARE PACKED IN BOX 2 FOR STEP 2 AND ALL REMAINING STEPS.

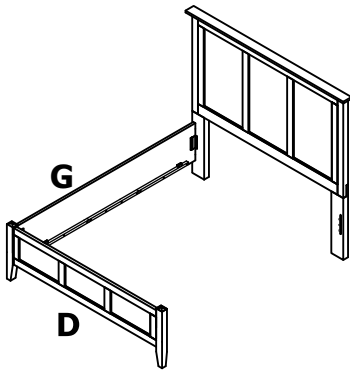


UPDATED : APRIL 18TH, 2023

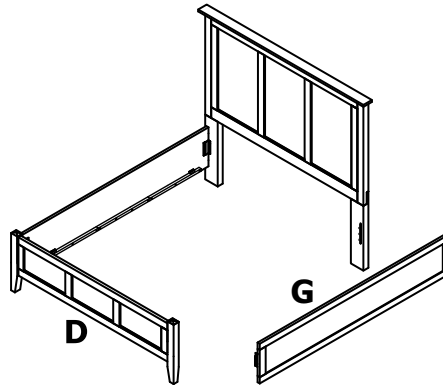
E.KING LOW PROFILE BED

OWNER'S MANUAL

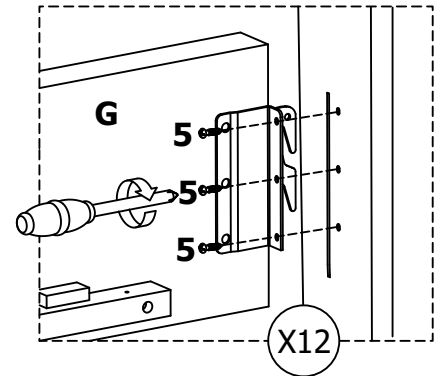
STEP 3 :



STEP 4 :



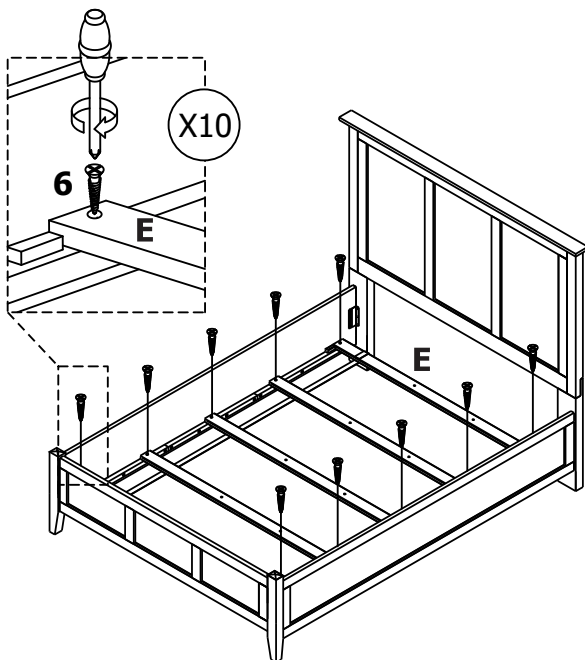
STEP 5 :



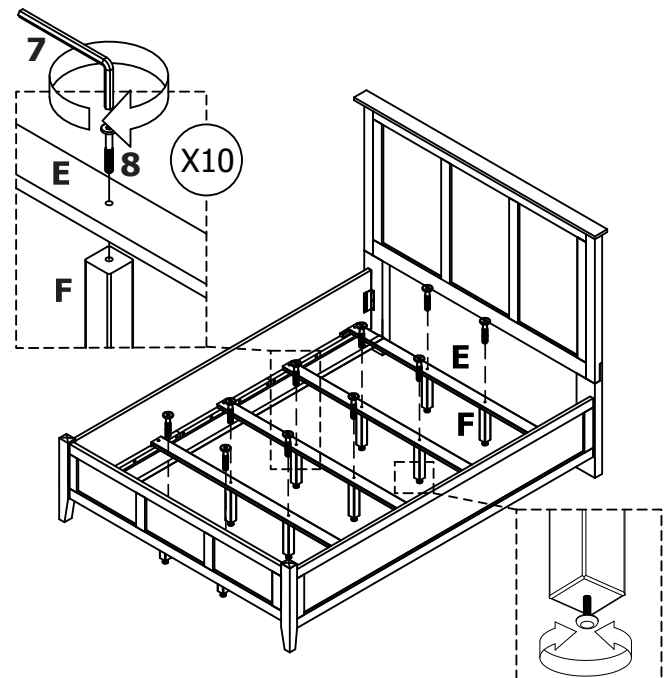
STOP

- IF USING BED FRAME WITH ADJUSTABLE MATTRESS BASE, SKIP TO APPENDIX A: ADJUSTABLE MATTRESS BASE ASSEMBLY SUPPLEMENT.
- IF USING BED FRAME WITH STANDARD BOX SPRING OR FOUNDATION CONTINUE TO STEP 6.

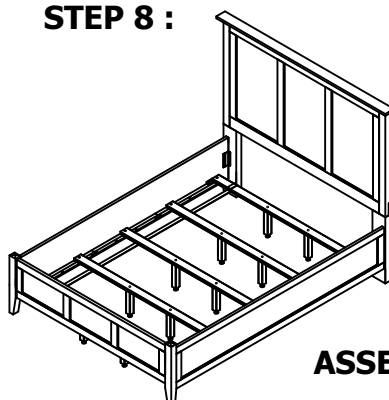
STEP 6 :



STEP 7 :



STEP 8 :



ASSEMBLY COMPLETE

E.KING LOW PROFILE BED

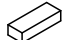

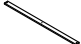

OWNER'S MANUAL

REPLACEABLE PARTS LIST




HEADBOARD - SNOWFALL, RAVEN, DARK MOCHA, BLUEBERRY, ELEPHANT GREY

DESCRIPTION	IMAGE	SKU
BOX 1 HARDWARE KIT		a
FOOT CAP		b
HEADBOARD LEFT LEG		c
HEADBOARD RIGHT LEG		d

FOOTBOARD/SLATS - SNOWFALL, RAVEN, DARK MOCHA, BLUEBERRY, ELEPHANT GREY

DESCRIPTION	IMAGE	SKU
BOX 2 HARDWARE KIT		e
FOOT CAP		f
INDIVIDUAL SLAT		g
SUPPORT LEG		h

SIDE RAILS - SNOWFALL, RAVEN, DARK MOCHA, BLUEBERRY, ELEPHANT GREY

DESCRIPTION	IMAGE	SKU
SIDE RAIL BRACKET SET/2		j
SIDE RAIL CLEAT		q
SIDE RAIL CLEAT BOLT		k

E.KING LOW PROFILE BED

OWNER'S MANUAL



WARNING:

- Maximum distributed load capacity: 800 lbs.
- Standing or jumping on this product may result in damage or injury.

ROUTINE MAINTENANCE:

Periodically check that support legs are in place and are applying equal upward pressure on the bed frame. To adjust support legs, turn levelers counterclockwise to extend, clockwise to retract.

Periodically check all fittings and tighten if necessary, as they can loosen over time.

Always remove box spring and mattress before moving the bed. Lift the bed when moving it. Dragging the bed can damage the center support. Readjust levelers after moving the bed.

CARE AND CLEANING:

WOOD FURNITURE: Dust frequently with a clean, damp, lint-free cloth. Frequent dusting will remove abrasive build-up which can damage a finish over time. Avoid using oily polishes or waxes. Avoid exposing your furniture to strong sunlight. Prolonged exposure to direct sunlight can fade the finish of your furniture. Do not expose your furniture to any liquids. Never allow water to sit on your furniture. Do not place hot items on top of surface, always use a mat or other protector. Alcohol, nail polish and perfume are also dangerous, as they can dissolve the furniture finish on contact and may require professional repairs.

E.KING LOW PROFILE BED

OWNER'S MANUAL

AN ADJUSTABLE MATTRESS BASE IS A FREESTANDING MATTRESS SUPPORT THAT SITS WITHIN THE PERIMETER OF THE BED FRAME.

IF USING THIS BED FRAME WITH A STANDARD BOX SPRING OR FOUNDATION THESE INSTRUCTIONS DO NOT APPLY.

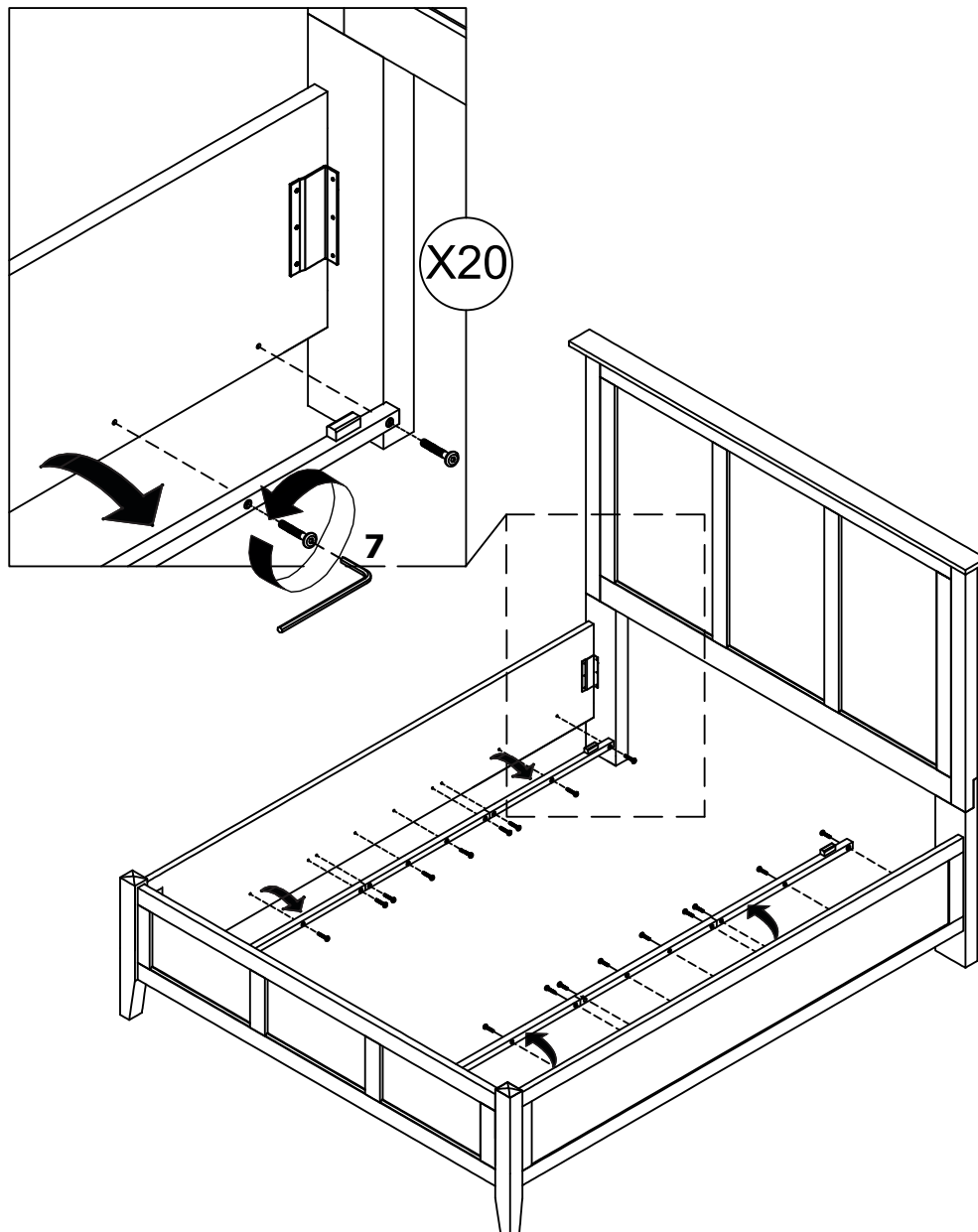
PRE-ASSEMBLED SIDE RAIL CLEATS OBSTRUCT ADJUSTABLE BASE INSTALLATION AND OPERATION. FOLLOW THESE INSTRUCTIONS TO REMOVE THEM.

THE FOLLOWING PARTS ARE NOT REQUIRED FOR ADJUSTABLE MATTRESS BASE INSTALLATION:

E. BED SLAT	5 PCS	6. WOOD SCREW (8x30mm)	11 PCS
F. SUPPORT LEG	10 PCS	8. ALLEN BOLT (6x40mm)	11 PCS

STEP 1 :

USE ALLEN KEY (7) TO UNSCREW ALLEN BOLTS AND REMOVE PRE-ASSEMBLED SIDE RAIL CLEATS.



NOTE: YOU MAY WISH TO RETAIN UNUSED PARTS IF IN THE FUTURE YOU INTEND TO USE THE BED FRAME WITH A STANDARD BOX SPRING OR FOUNDATION.

UPDATED : APRIL 18TH, 2023