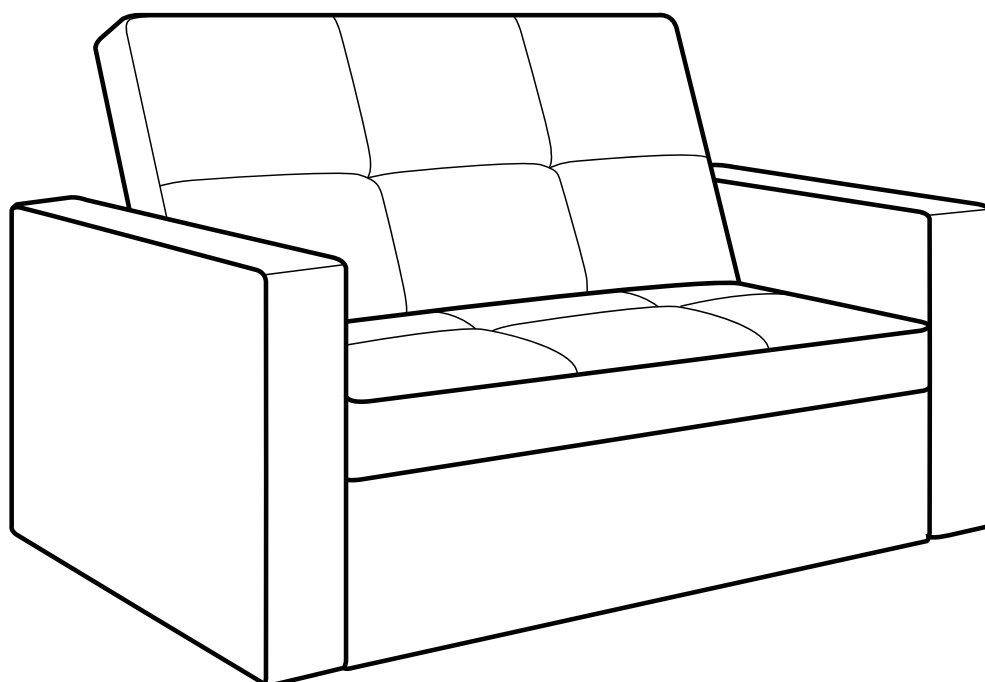


Sofa
Grey / Natural

Instruction manual





SAFETY AND CARE ADVICE

PLEASE READ THESE INSTRUCTIONS CAREFULLY AND KEEP FOR FUTURE

- Check you have all the components and tools listed on pages 1.
- Remove all fittings from the plastic bags and separate them into their groups.
- Keep children and animals away from the work area, small parts could choke if swallowed.
- Make sure you have enough space to layout the parts before starting.
- Do not stand or put weight on the product, this could cause damage.
- Assemble on a soft level surface to avoid damaging the unit or your floor (use opened out unit carton).
- We do not recommend the use of power drill/drivers for inserting screws, as this could damage the unit. Only use hand screwdrivers.

· **HEALTH AND SAFETY:**

DO NOT jump on this sofa bed.

DO NOT use this sofa bed if any parts are missing, damaged or worn.

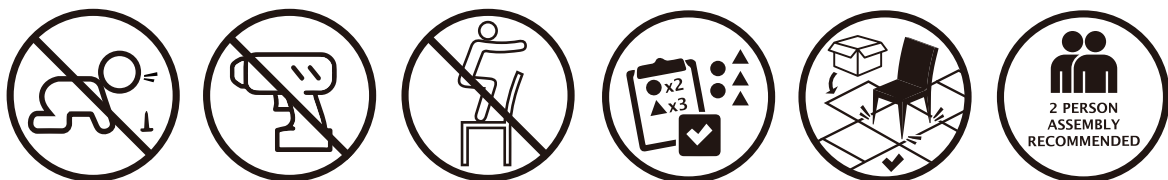
DO NOT use this sofa bed unless all fixings are secured.

· **WARNING:**

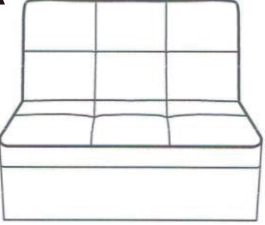
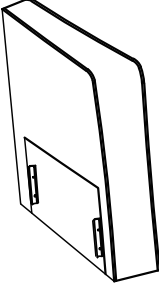


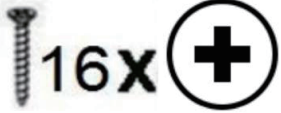
If this sofa bed is placed on non-carpeted floor you must place some Protection under all legs to stop the sofa bed frame from moving. If this is not adhered to there is no guarantee if the sofa bed frame collapses.

· **HANDY HINT:**

If you keep the hardware in a bowl during assembly you will be less likely to lose them.



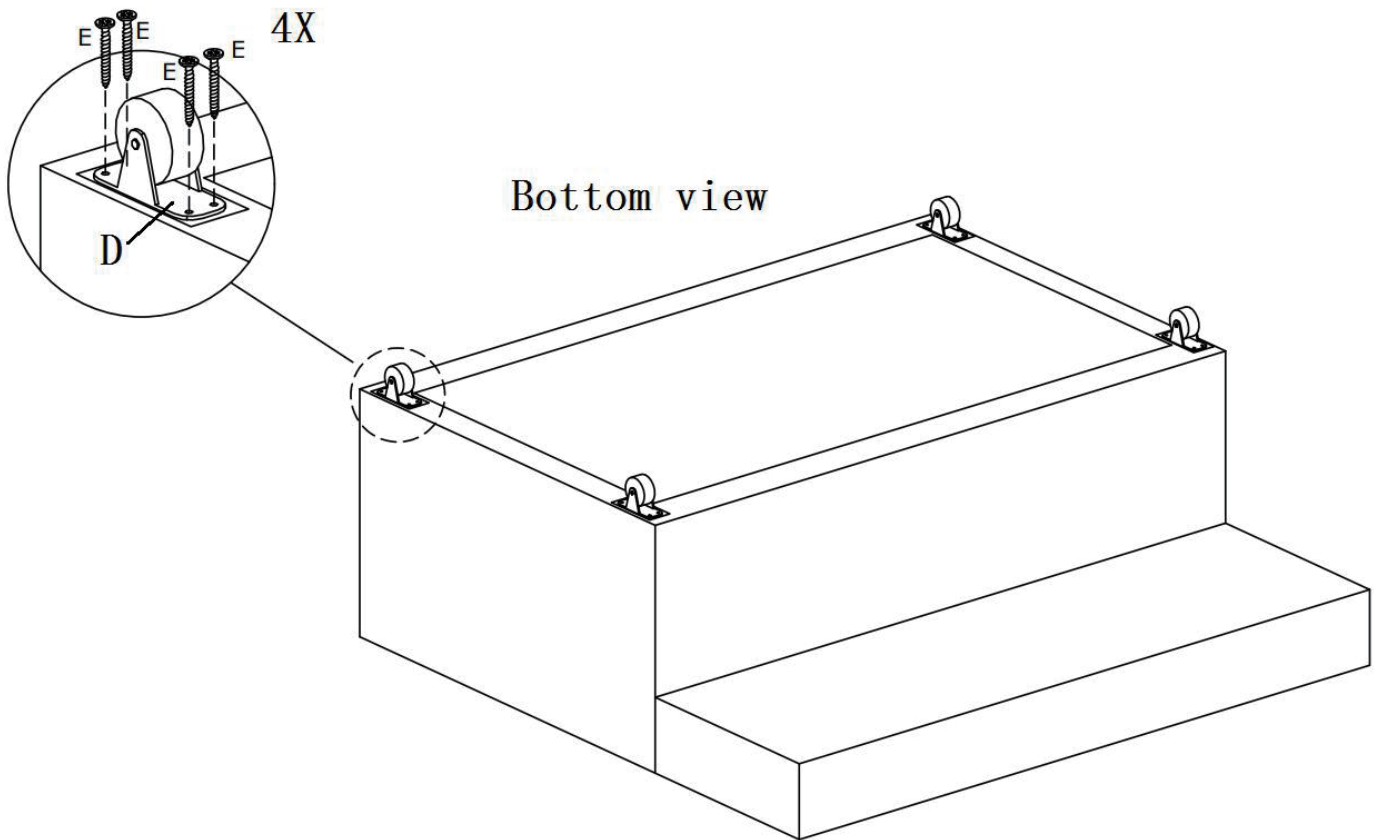
COMPONENTS

<p>A</p>  <p>x1</p>	<p>B</p>  <p>x2</p>
<p>C</p>  <p>x8</p>	<p>D</p>  <p>x4</p>
<p>E</p>  <p>16x</p> <p>x16</p>	

ASSEMBLY INSTRUCTIONS

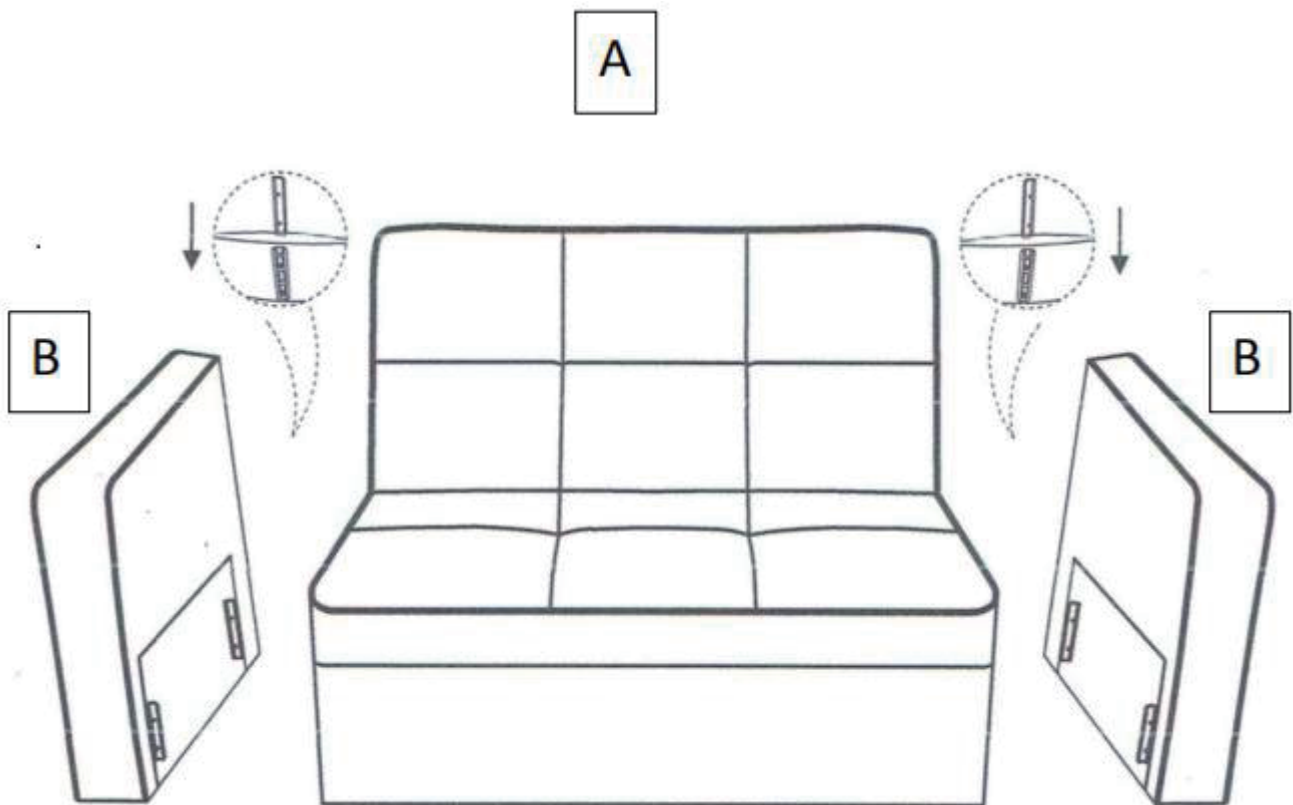
step1

DO NOT use any power tools as this may damage the frame and will invalidate any claim.



ASSEMBLY INSTRUCTIONS

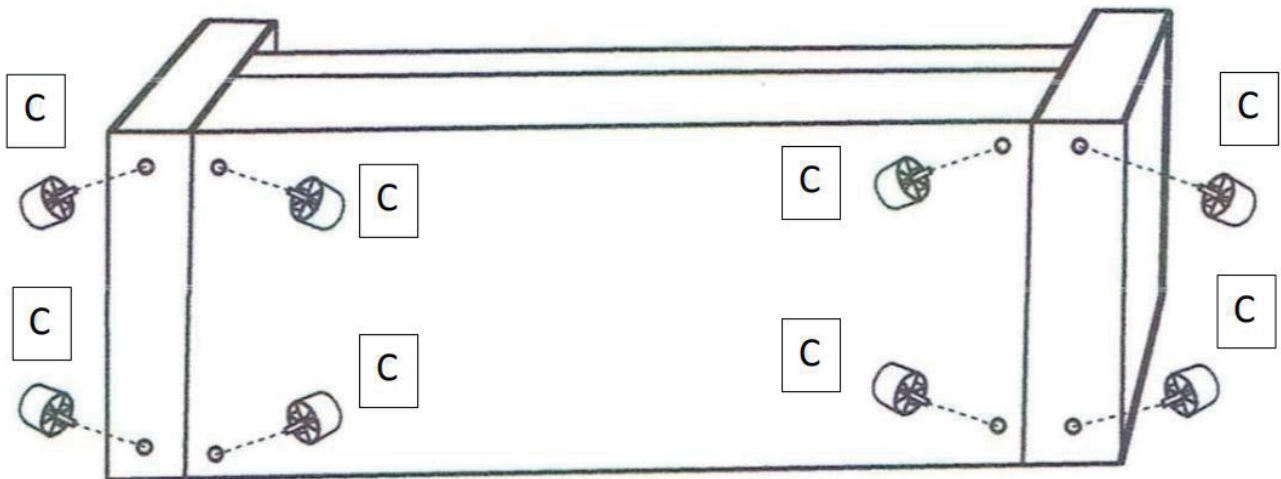
step2



ASSEMBLY INSTRUCTIONS

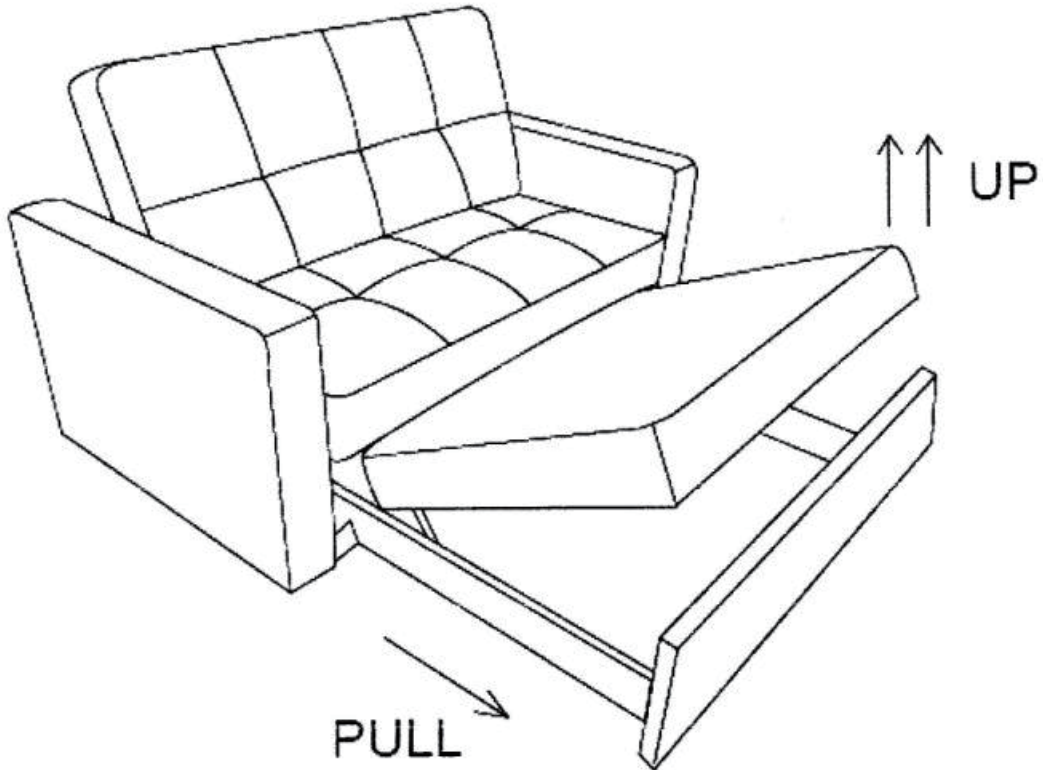
step3

Sofa Bed Bottom View

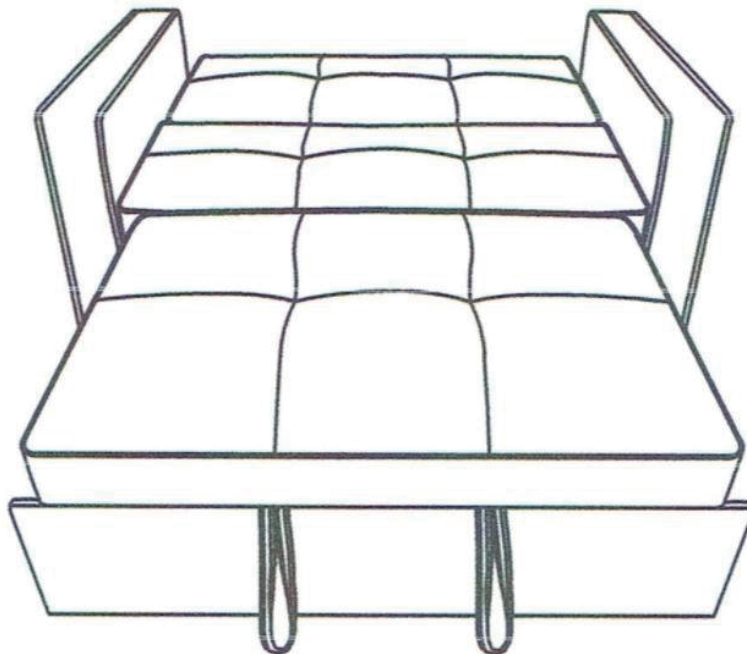


ASSEMBLY INSTRUCTIONS

step4

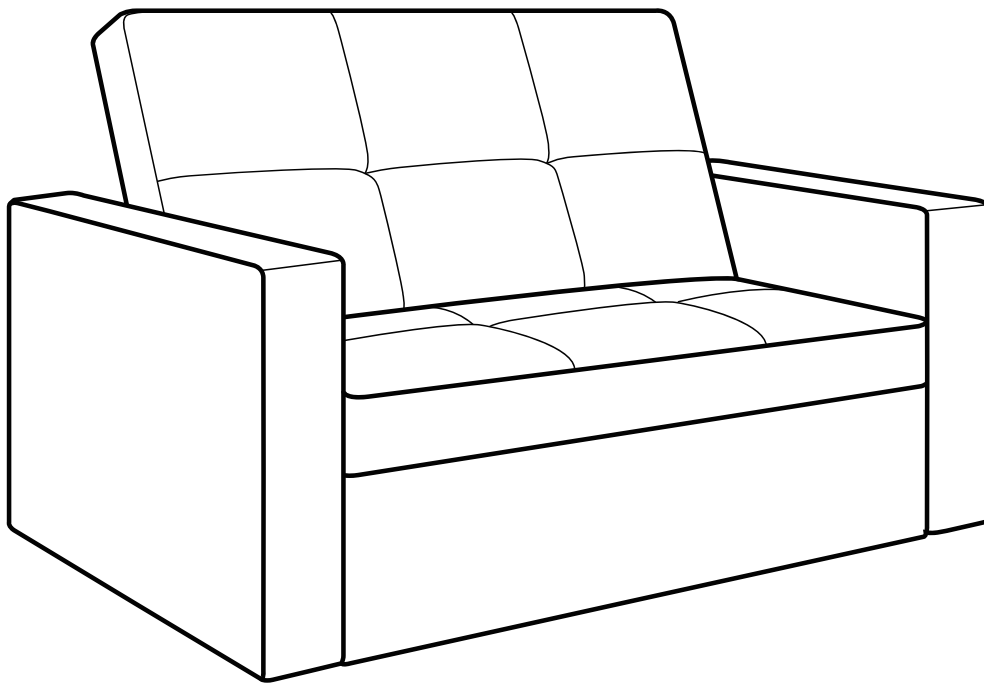


step5



Your Sofa Bed is now ready to use

ASSEMBLY INSTRUCTIONS



*Congratulations!
Now you have finished assembling the product.*