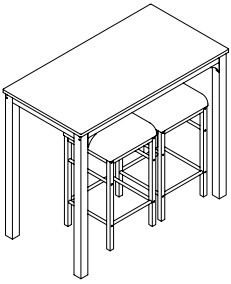


Assembly Instructions



Tips!

Check all the components & screws before assembly.
Do not install in case part is missing, contact us to get.

Table		
A		2
B		2
C		1
D		M6*70mm 8
E		M6*50mm 4
F		M6*12mm 8
G		1

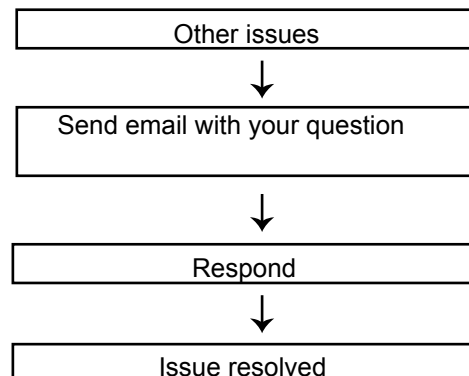
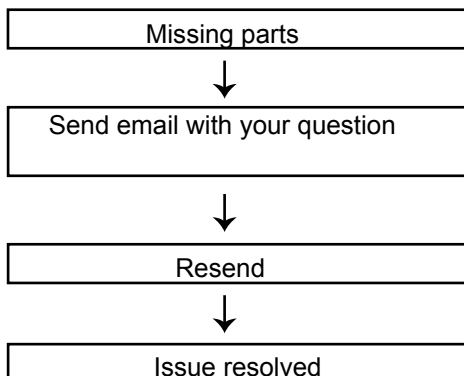
Chair		
H		4
I		4
J		8
K		2
L		M6*45mm 8
M		M6*35mm 16
N		8

Return Policy

We believe you will absolutely love your pub dining set. But if for some reason you want to return the foundation, please contact us directly before you decide to return your product. Our customer service organization can answer most concerns and assist you with any questions you may have about your new item, please email us.

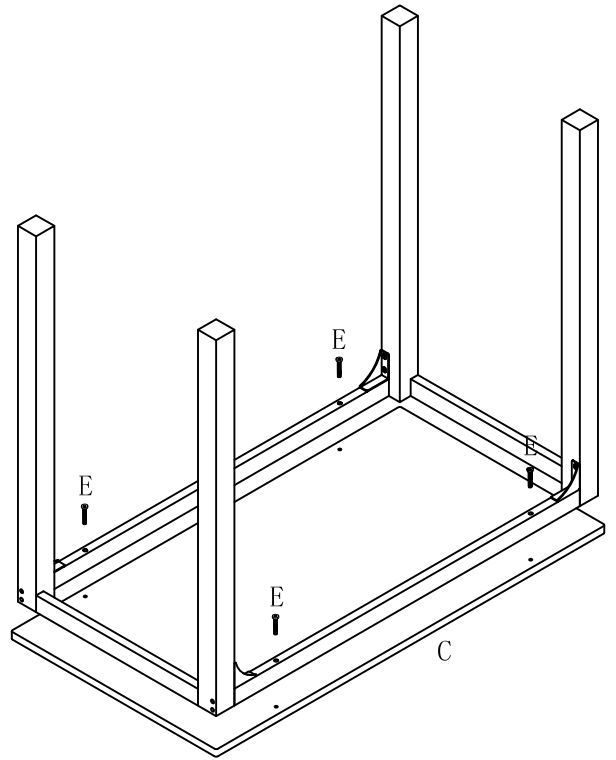
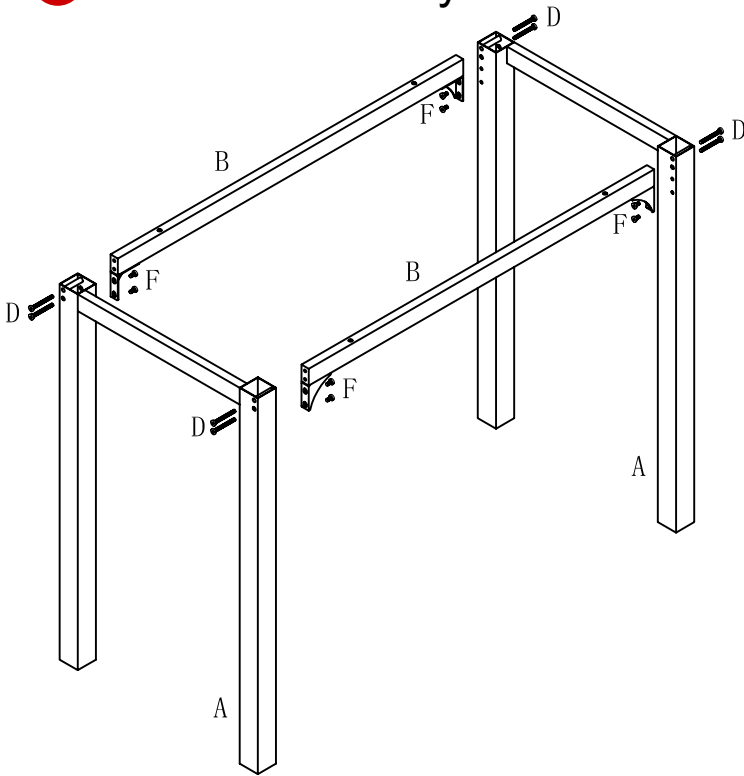
The item must be return within 30 days of delivery for a full refund. The item must be returned in good condition, in original box, with all original proof of purchase, parts and accessories.

Trouble shooting:

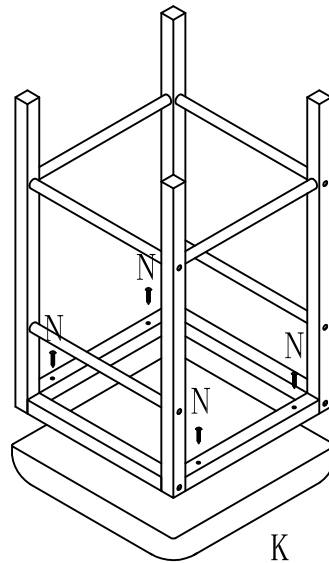
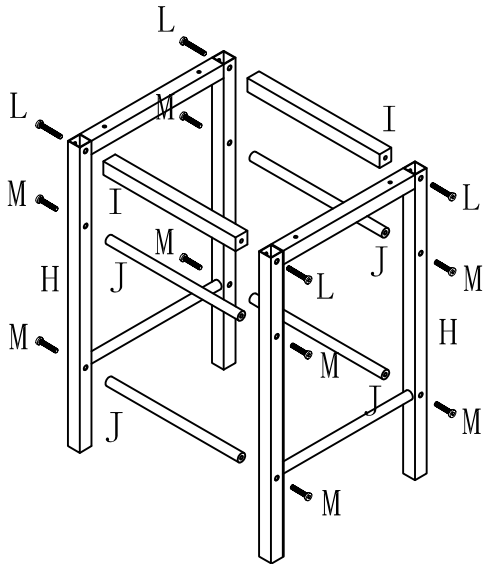


We control manufacturing and distribution ourselves, ensure the quality.

1 Table Assembly



2 Chairs Assembly



3 Check and tighten all screws

We'd Love to Hear from You!