

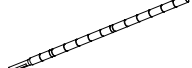


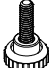


INSTALLATION

Carbon Steel Corner Rack With 4-shelf

Parts list

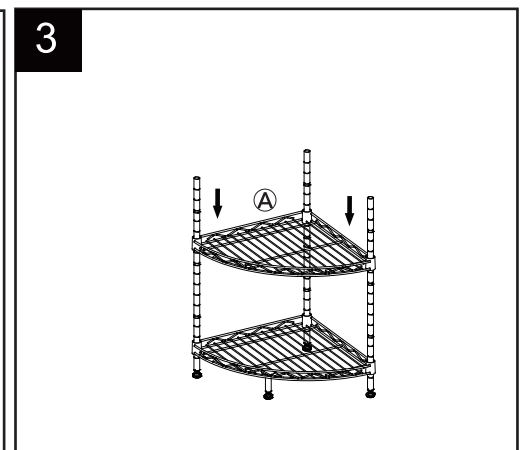
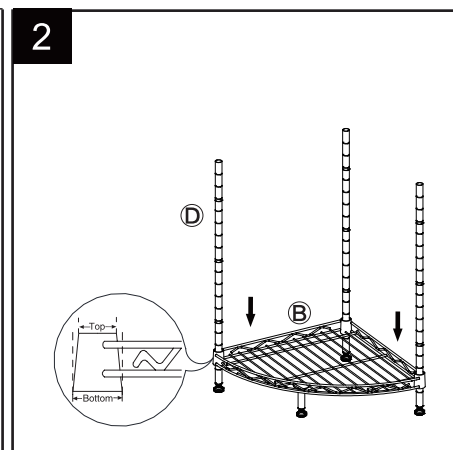
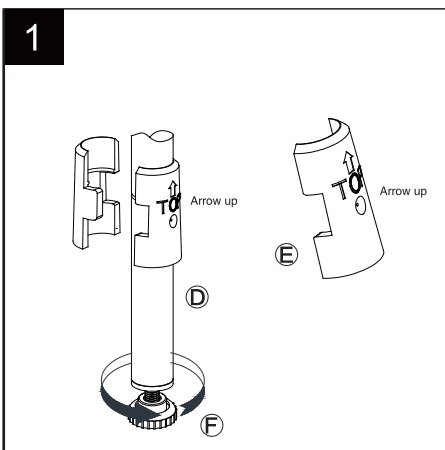
A sector shelf  x3	B sector bottom shelf  x1	C top tube  x3	D bottom tube  x3	E clips  spare parts x1 pairs x12 pairs	F adjustable pin  x4
--	---	--	--	--	--

ASSEMBLY INSTRUCTIONS

1. Install Clamping pieces at the bottom groove location separately for the 3 PCS of bottom tube.

2. Slide the sector bottom shelf onto the bottom tube.

3. Install clamp pieces and the 2nd sector shelf accordingly.



4. Install 3 PCS of top tube into bottom tube.

5. Install the rest shelves accordingly.

6. Finished.

