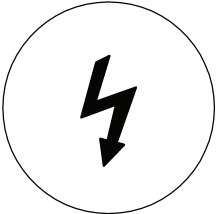

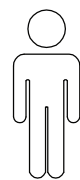
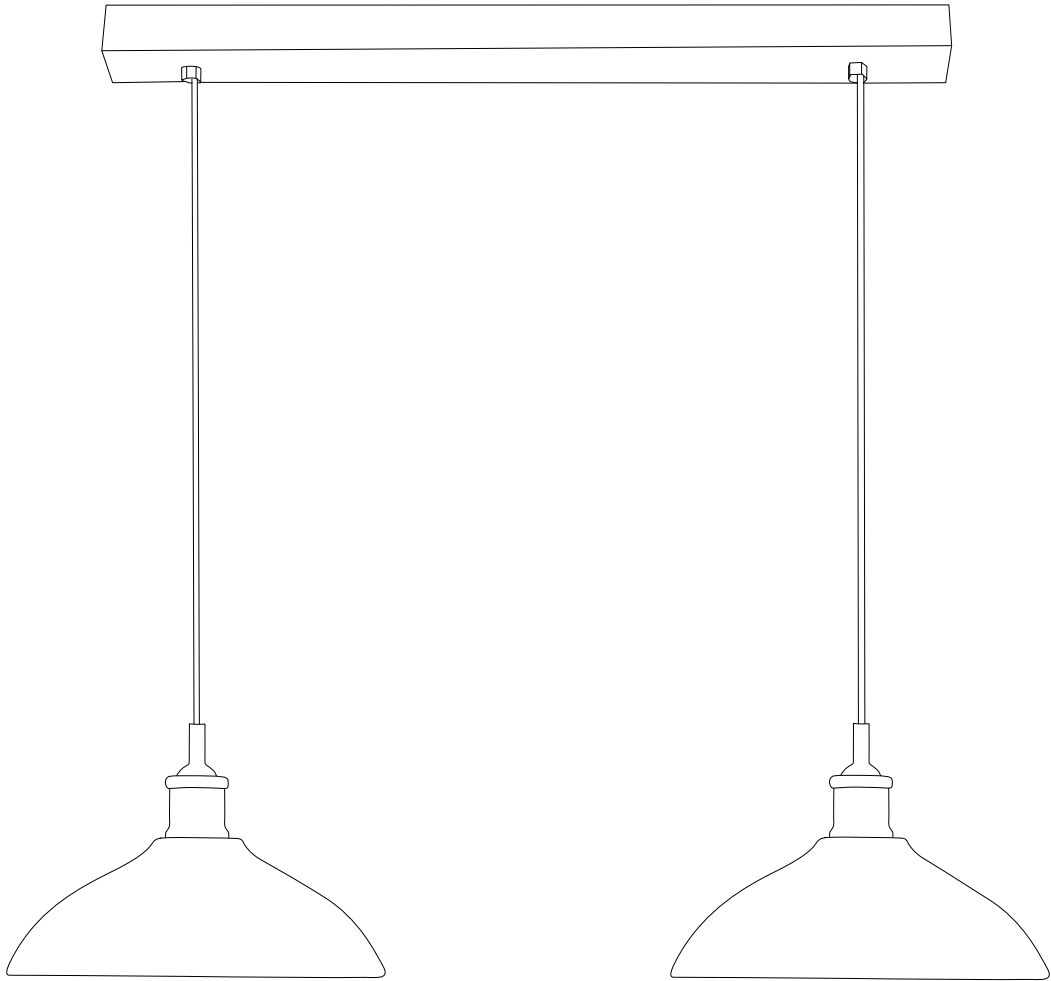
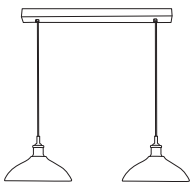

		15'
		
		1

A

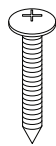


A



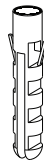
x 1

B



x 2

C



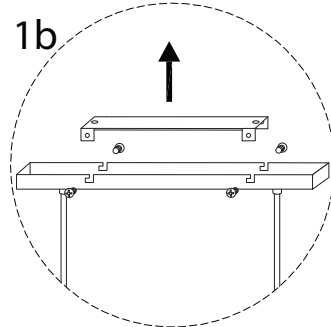
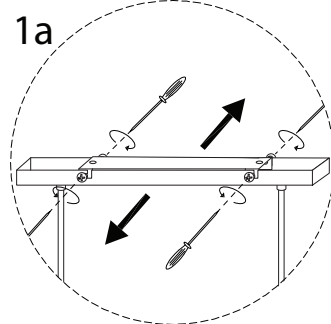
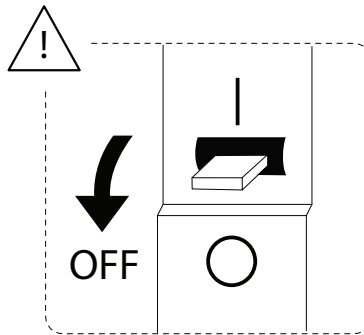
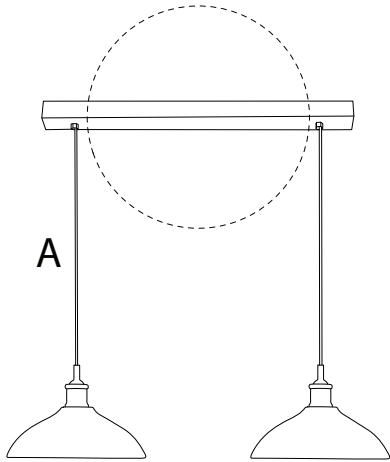
x 2

1

A



x 1



2

B

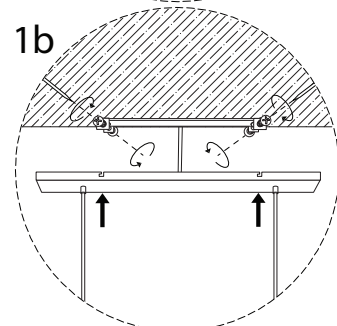
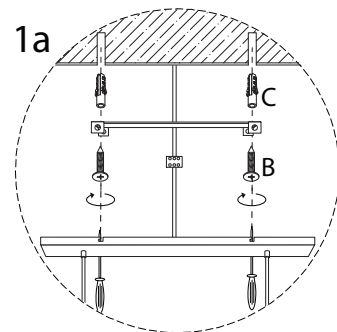
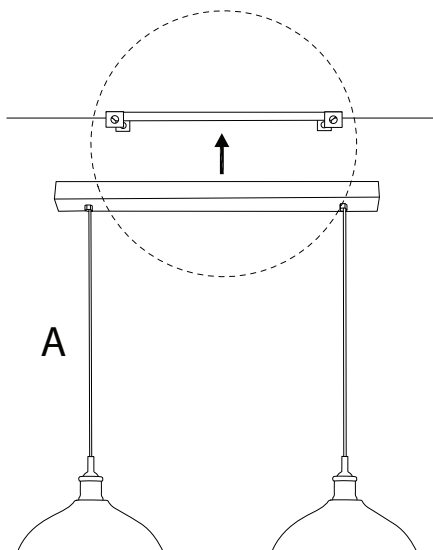


x 2

C



x 2



3

