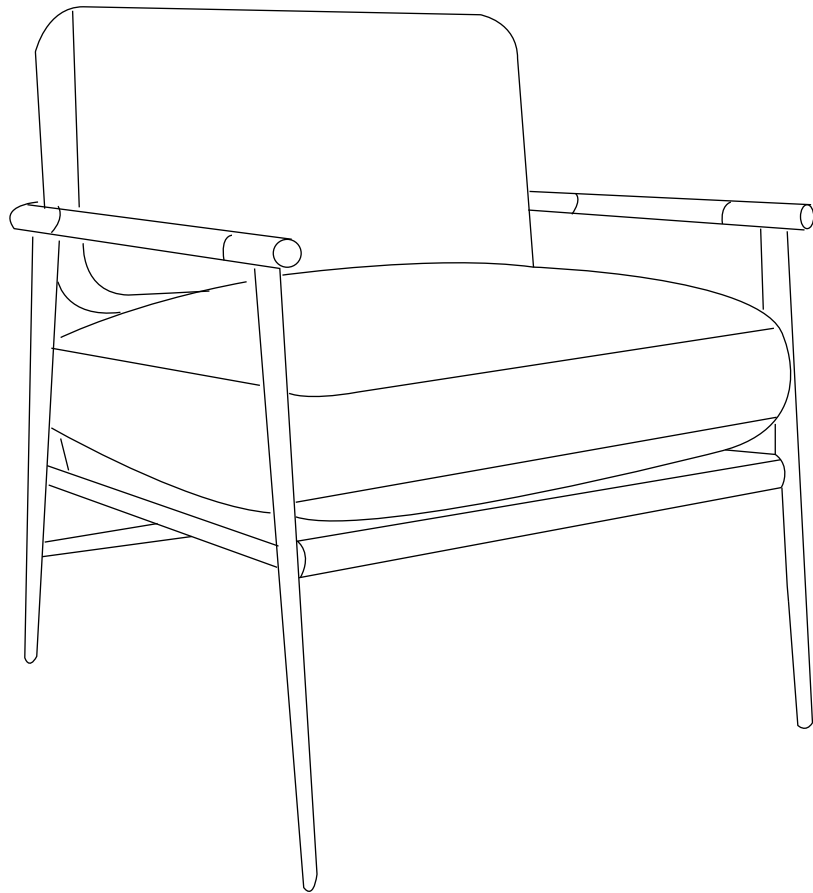
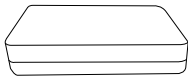
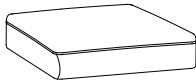
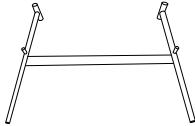
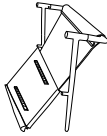

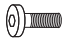



# ASSEMBLY INSTRUCTION

## Accent Chair

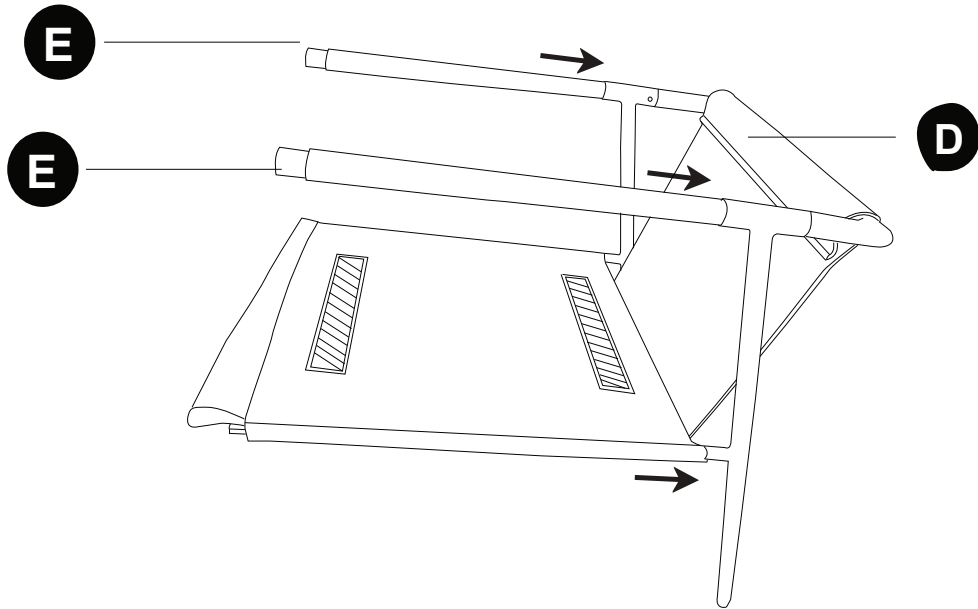


Component List			
LABEL		DESCRIPTION	QTY
A		Back Cushion	1
B		Seat Cushion	1
C		Front Leg	1
D		Seat Frame	1
E		Armrest	2

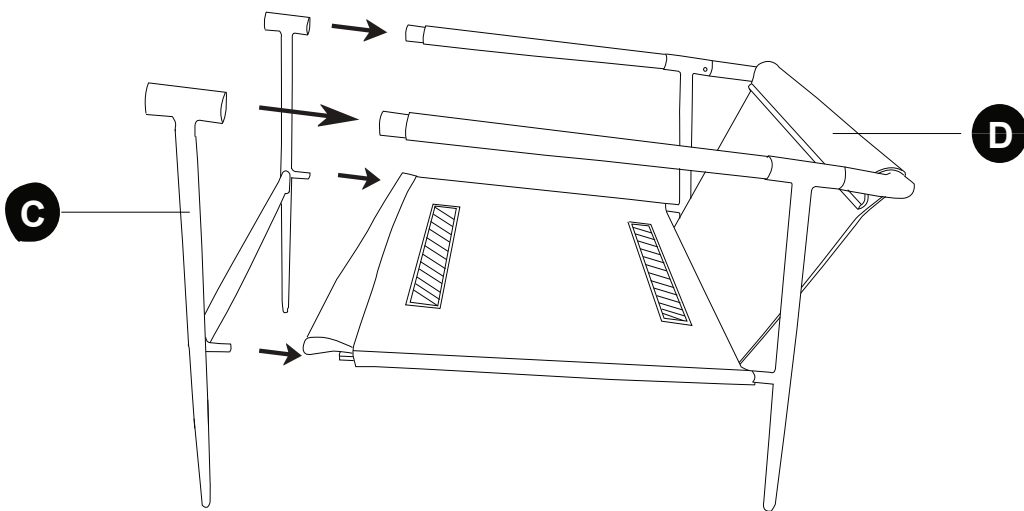
Hardware List			
LABEL		DESCRIPTION	QTY
H1	 M6*14	Bolts	8
H2		Allen Key	1

# Assembly Steps

1

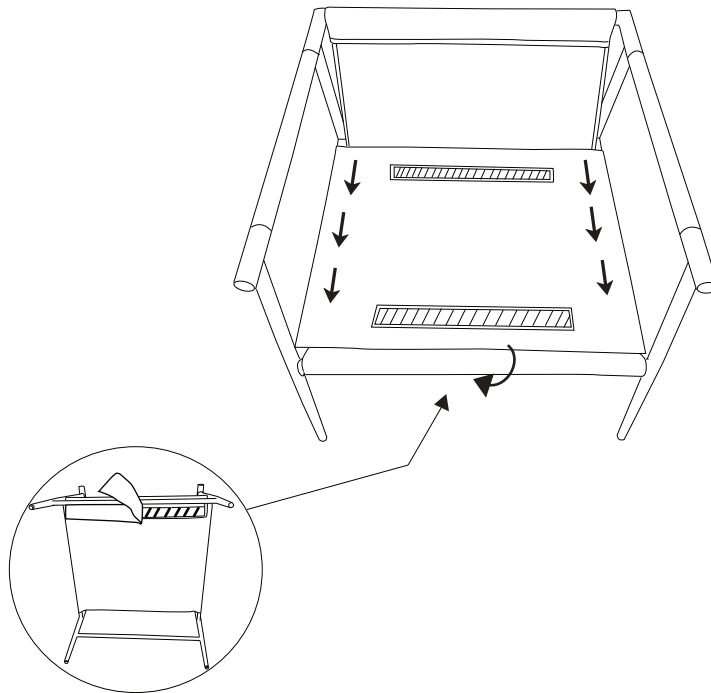


2



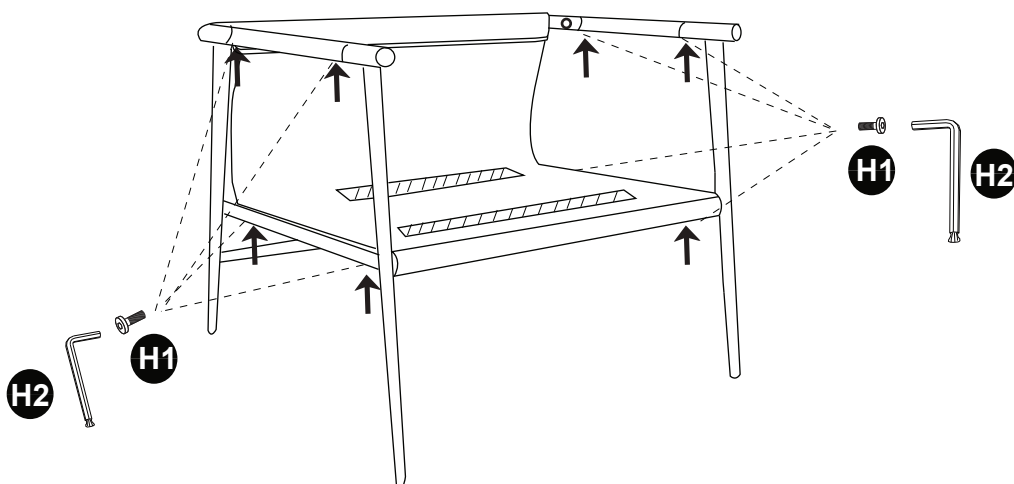
# Assembly Steps

3



Remove the black fabric cover on velcro then pulling the fabric towards front as shown then stick the flap to the velcro under the front bar.

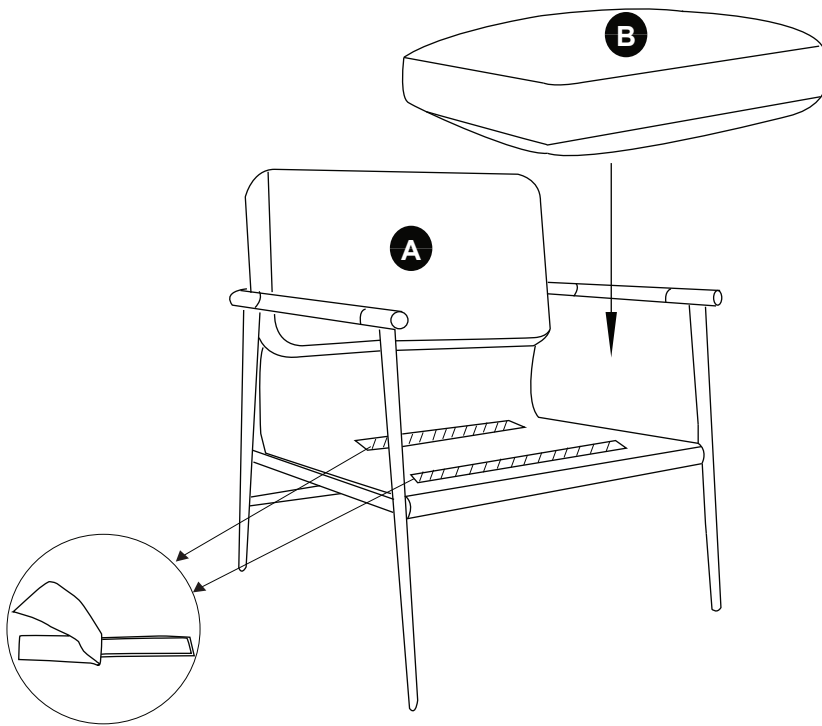
4



Engage the bolts(H1) then put the chair on a leveled surface before fulling tighten the bolts.

# Assembly Steps

5



Remove the fabric cover on velcro then put the seat cushion and back cushion