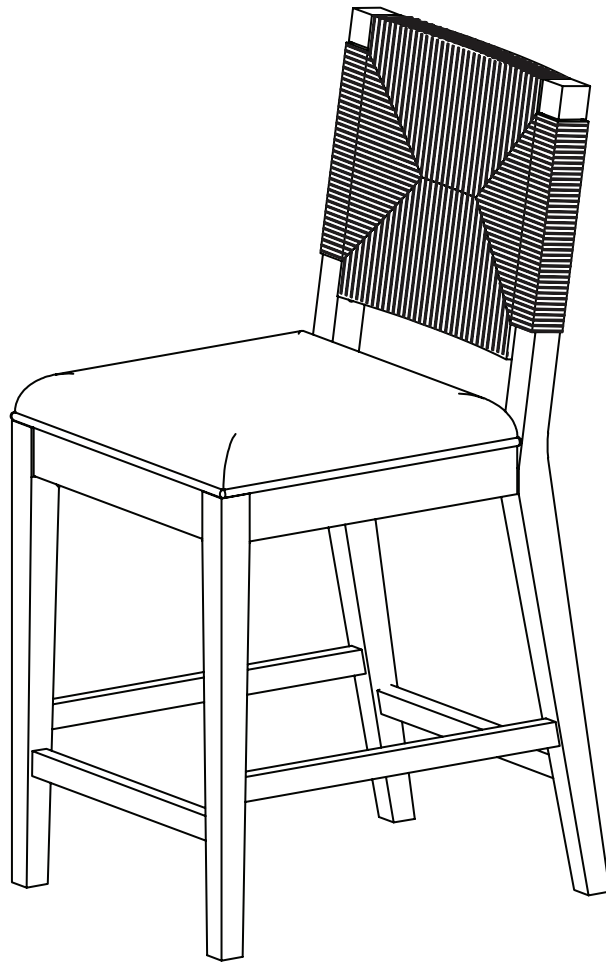


Let's build the

Beacon Stool

SKU 23701



Scan me!

Free Lifetime
Warranty

nathan james

23-1108

Ok, let's get rolling

This should be easy, just follow our instructions and you will be back to Netflix in no time.

Estimated time for assembly



20:00

What you need

- Some bubbly or your preferred relaxant
- Use the packaging carton as a working surface to prevent product damage during assembly

Do not use a drill



Weight Limitation



250
lbs.

Toll-free at 1-866-619-1004
Help@nathanjames.com
Nathanjames.com/help

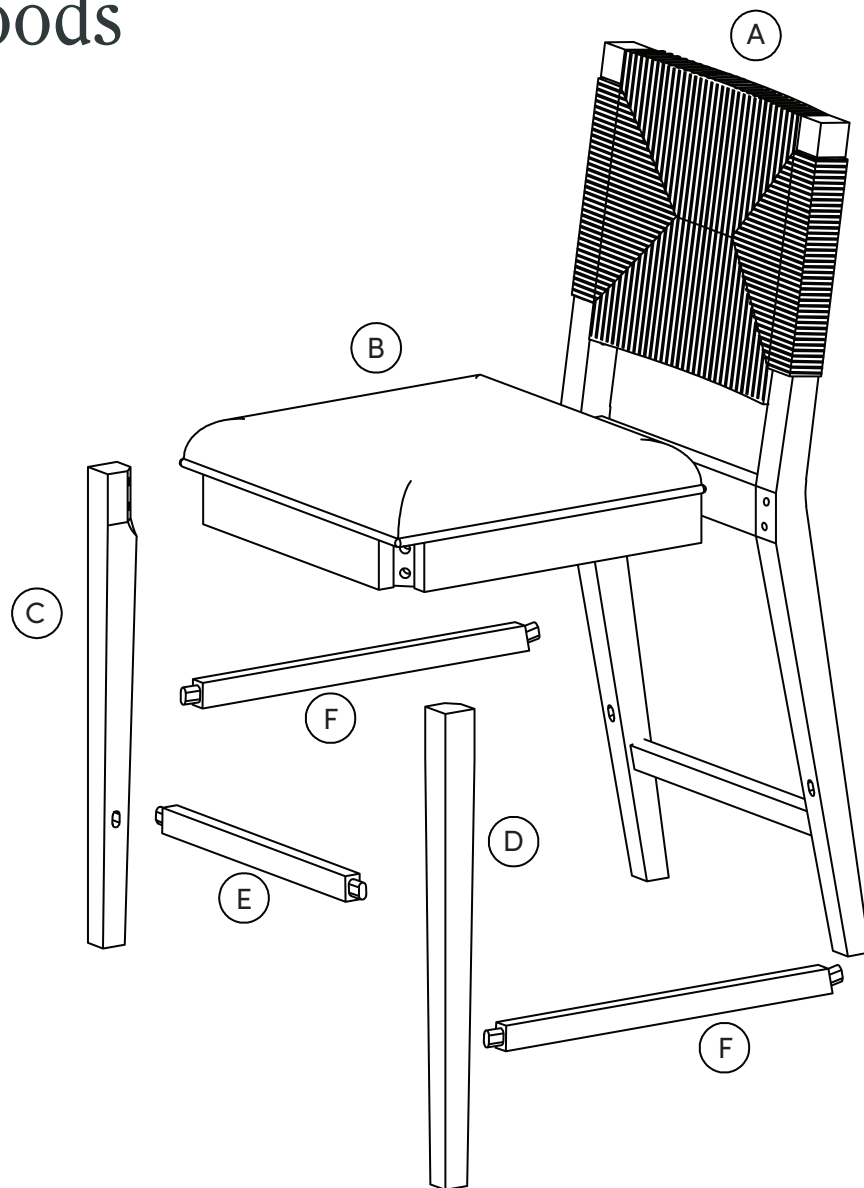
What's included

Description	Qty
A Chair Back Sub-assembly	1
B Seat Cushion	1
C Left Front Leg	1
D Right Front Leg	1
E Front Footrest	1
F Side Stretcher	2
1 1/4 x 1 1/2 inch Hex Button Head Bolt	2
2 1/4 x 2 3/8 inch Hex Button Head Bolt	4
3 1/4 x 3 1/8 inch Hex Button Head Bolt	4
4 1/4 inch Lock Washer	10
5 1/4 inch Flat Washer	10
6 M4*38mm Screw	6
7 Allen Key	1
8 Plastic Nailhead Footpad (extra)	4

Scan me!
Free Lifetime Warranty



The goods



1

2

3

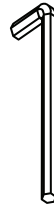
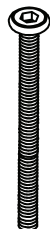
4

5

6

7

8



IMPORTANT

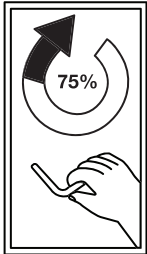
1. Do not tighten bolts / screws completely until all bolts / screws are lined up and inserted into holes.
2. Do not over tighten screws and bolts to avoid stripping.
3. Please use hand tools to assemble this product. Do not use power tools.

Step 1

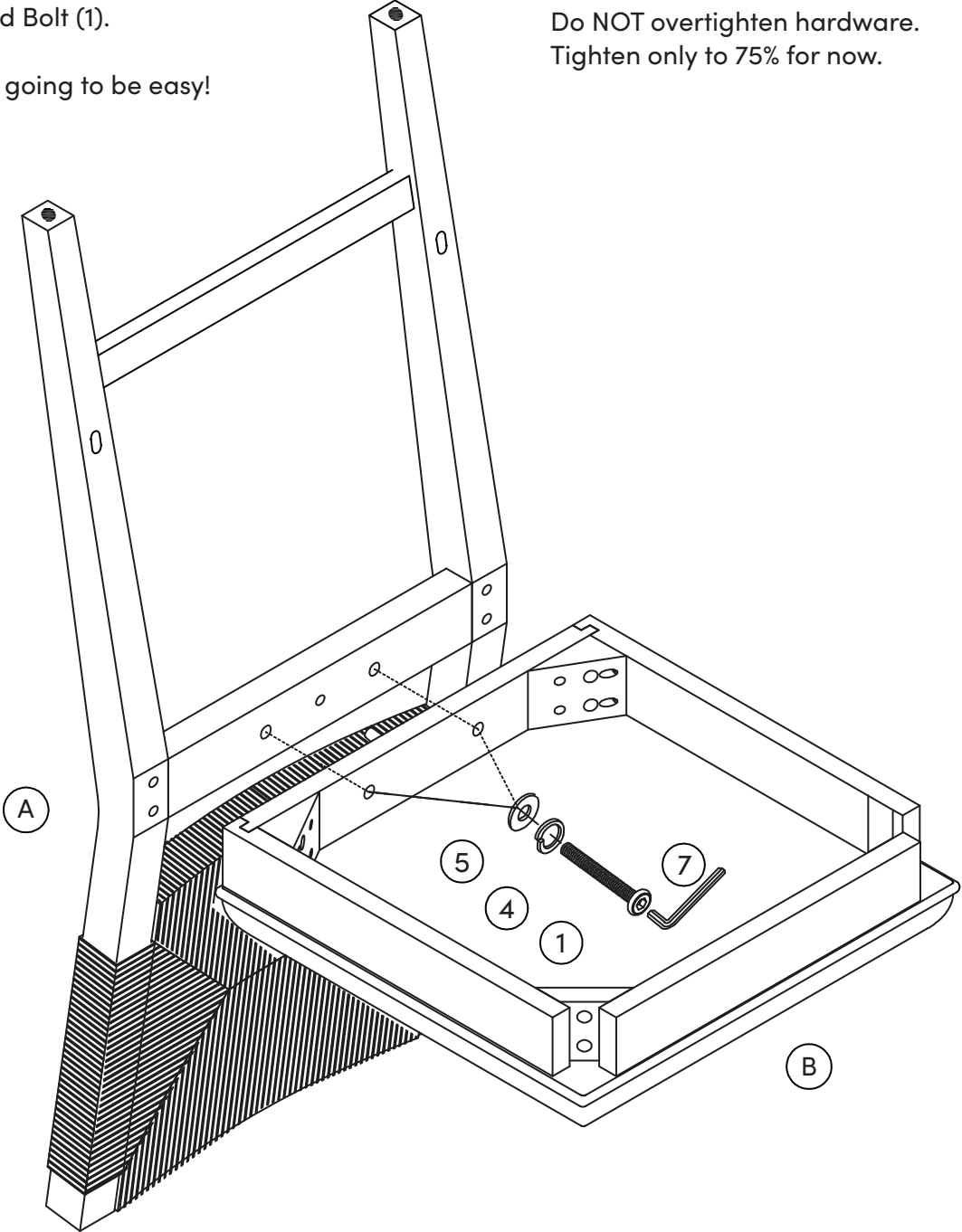
Let's get this thing fired up!

Secure on the Chair Back (A) and the Seat Frame (B) using the 1/4 inch Flat Washer (5), 1/4 inch Lock Washer (4) and 1/4 x 1 1/2 inch Hex Button Head Bolt (1).

We told you this was going to be easy!

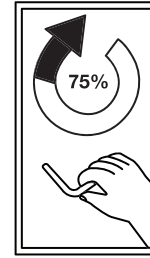


Do NOT overtighten hardware. Tighten only to 75% for now.

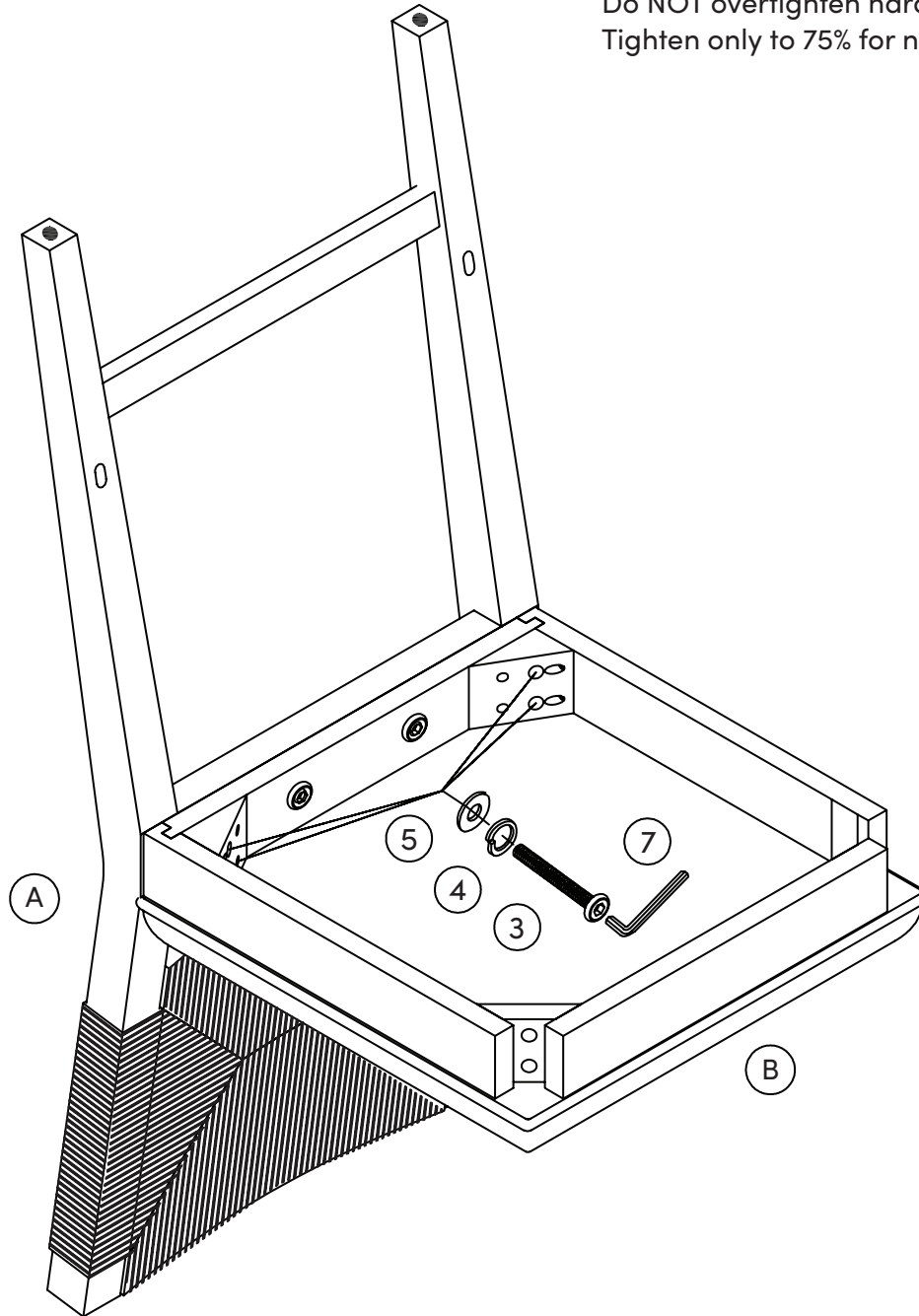


Step 2

Let's secure those legs in place! Consider this your workout of the day. Secure using the Flat Washers (5), Lock Washers (4) and 1/4 x 3 1/8 inch Hex Button Head Bolts (3). Tighten to 75% using the Allen Key (7).

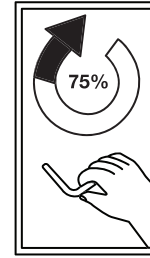


Do NOT overtighten hardware.
Tighten only to 75% for now.

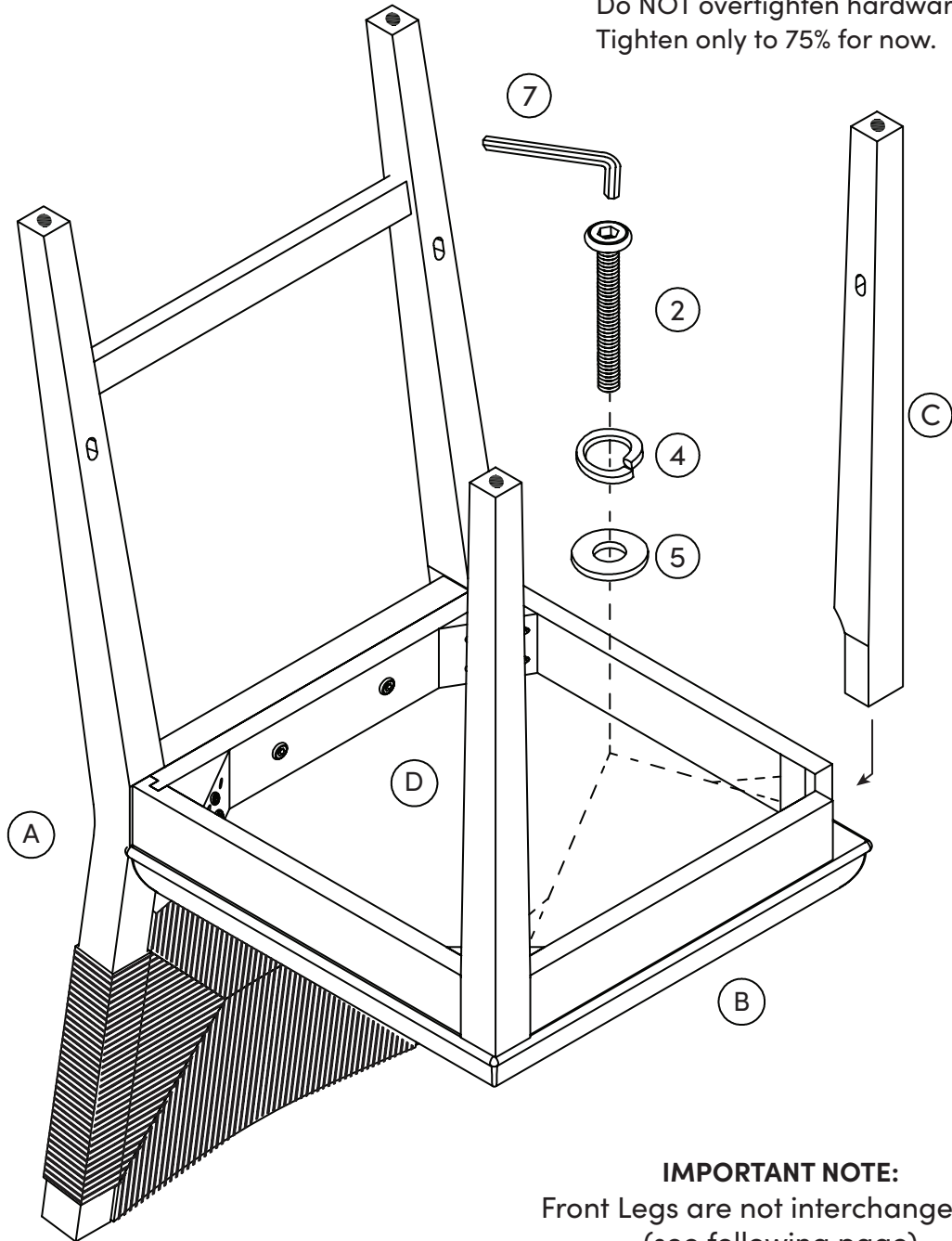


Step 3

Match the sticker on the bottom of the front chair legs with the sticker on the corner blocks before tightening hardware.



Do NOT overtighten hardware.
Tighten only to 75% for now.



IMPORTANT NOTE:
Front Legs are not interchangeable.
(see following page)

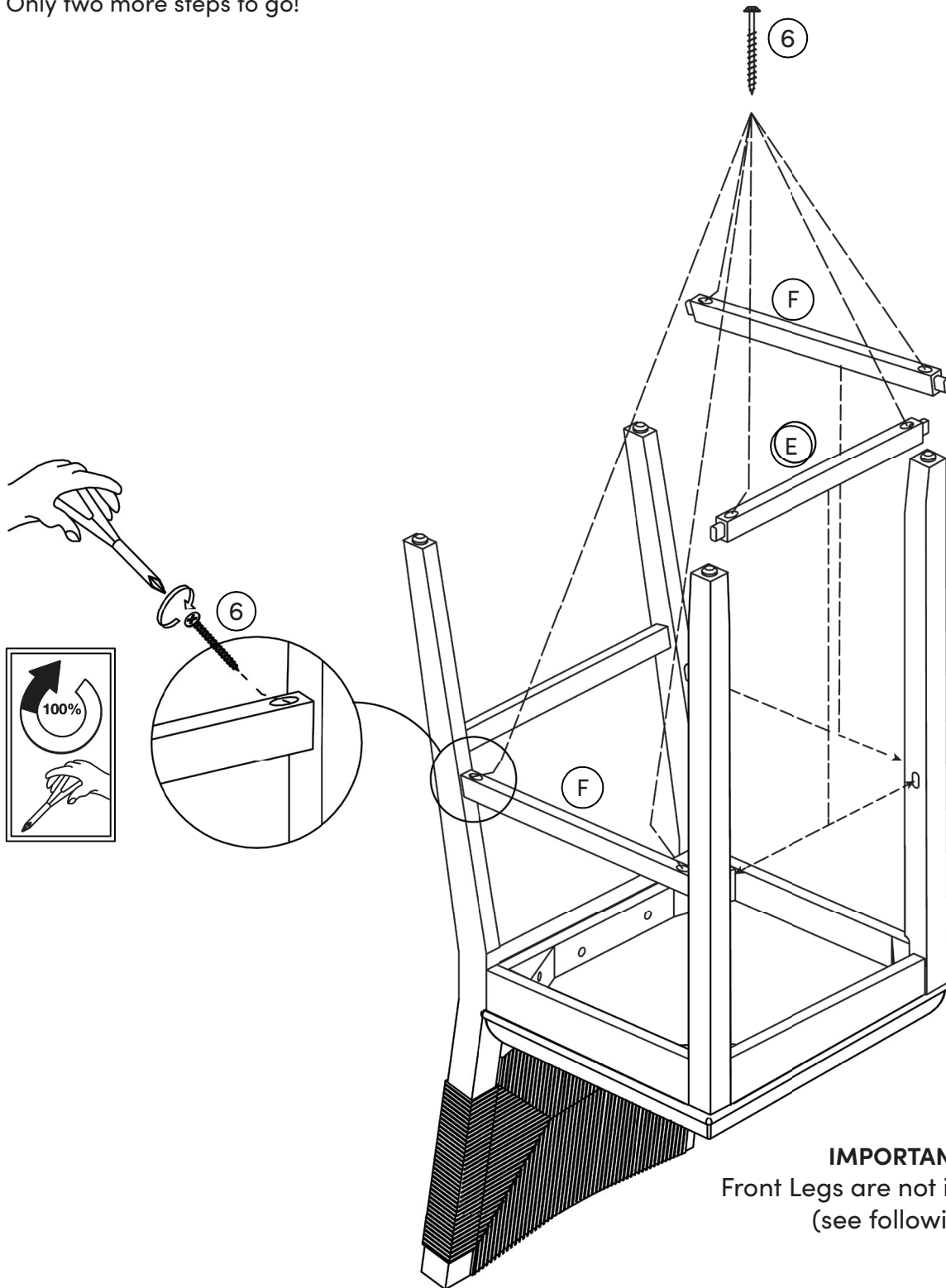
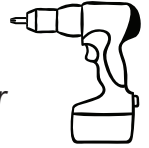
Step 4

Now, screw on the Front Footrest (F) and Side Stretchers (E).

Only two more steps to go!

If you are having trouble getting the screws to catch, it is recommended to carefully use an electric screwdriver or drill with necessary bit for this step.

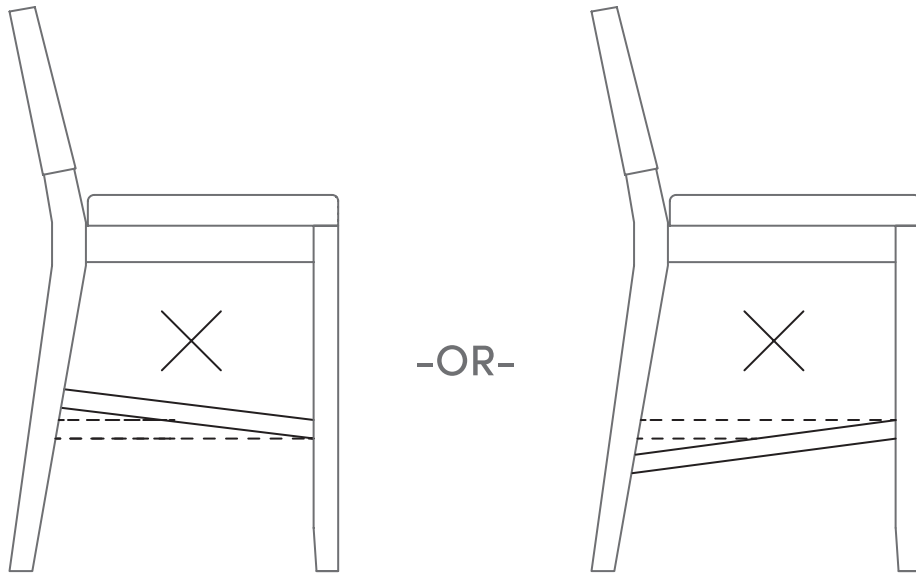
Do not over-tighten; holes may become stripped.



IMPORTANT NOTE:
Front Legs are not interchangeable.
(see following page)

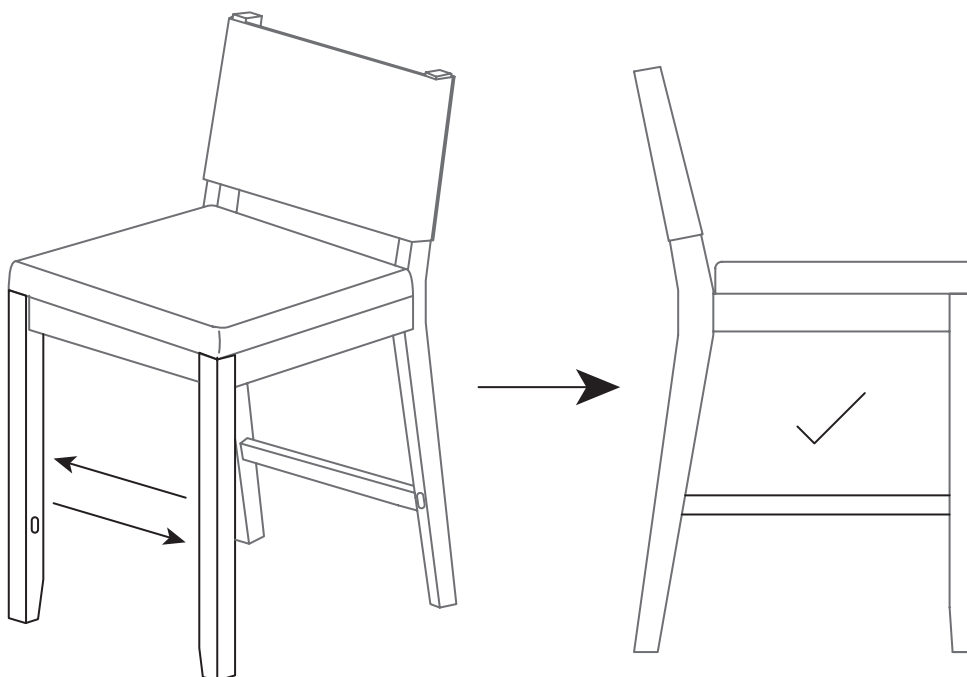
Issues with stretchers aligning at an angle?

If the stretchers are set at an angle when you are aligning them with their respective holes on the front & back legs, **you have likely assembled the front legs incorrectly.**



Re-check to confirm that the proper legs are installed in their intended position on the proper side of the stool.

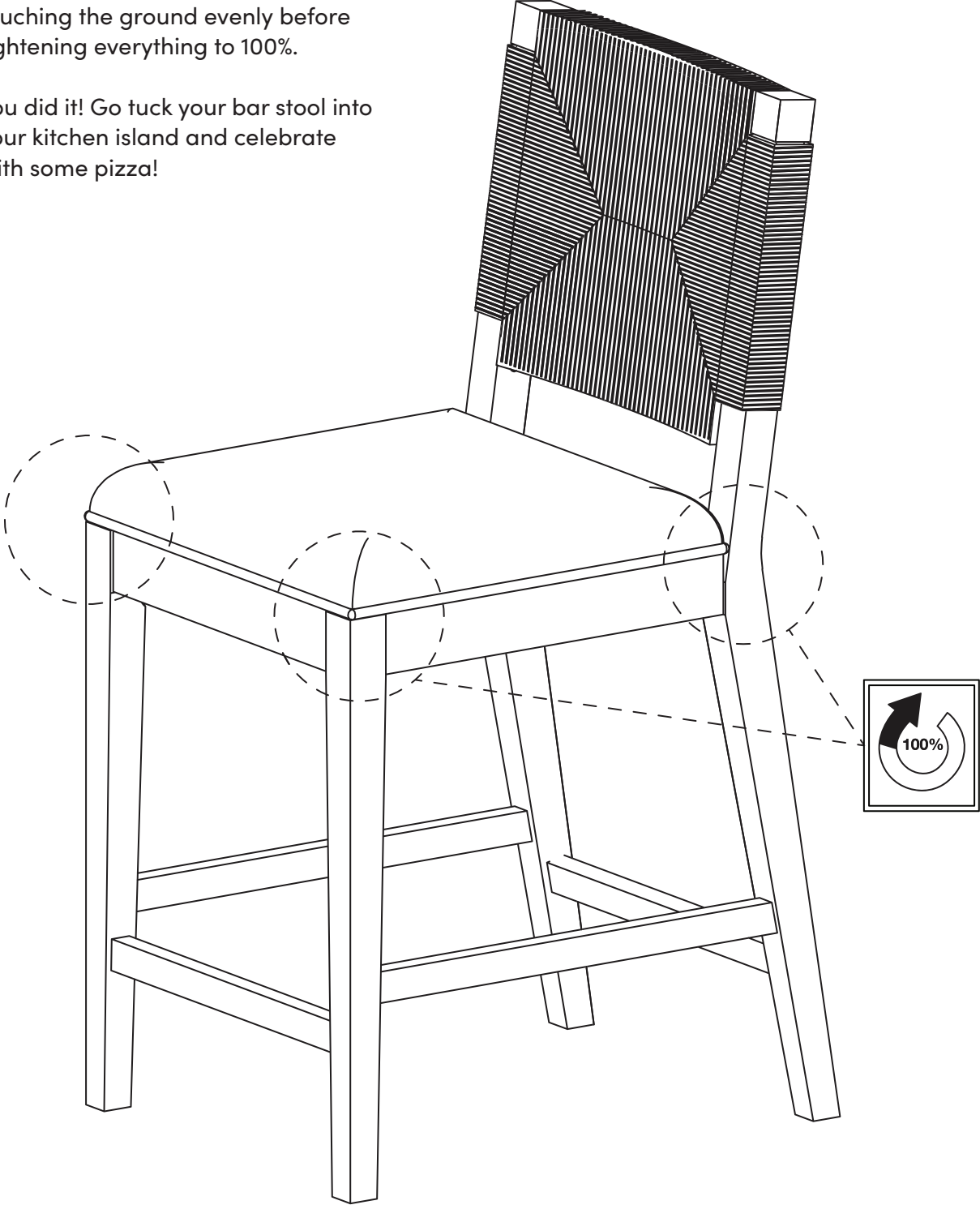
The front legs are not interchangeable; therefore they may need to be rotated and swapped to the opposite side.



Step 5

Carefully flip the stool over on a flat surface and make sure the legs are touching the ground evenly before tightening everything to 100%.

You did it! Go tuck your bar stool into your kitchen island and celebrate with some pizza!



No heartburn, when we handle the return

Give us a call **1-866-619-1004** or shoot us a message at **help@nathanjames.com**. We will issue you a free replacement with **zero hassle**.

Our way



Give us a call



Replacement



You

Their way



Re-package item



Schedule pick up



Track package



Replacement



You

We really don't want you to go through the hassle of re-packaging your item and sending it back, because let's be honest...nobody has time for that.

Safety first, fun later

We want your product to last as long as possible, so we recommend that you tighten the screws 2 weeks after assembly and for added safety check the tightness of all screws every 2 months.

For proper care and treatment, please check our website at NathanJames.com/products

Safe use of this product starts with you.

Use this product responsibly with the primary concern for your safety. Follow assembly instructions carefully and inspect product upon receipt and each use.

Nathan James and its parent companies cannot be held legally responsible for any injuries or death resulted from failure to follow instructions or improper use of this product.

Do not modify the structure of this product in any way.

Our products have been tested to meet specific safety measures as they were originally intended to be sold. Any modifications will present the risk of creating significant safety issues which NJ will not be responsible for.

Proper use

- DO NOT** use for commercial purposes
- DO NOT** place on uneven floor
- DO NOT** use as a step-stool or stand on
- DO NOT** put hot serving liquid directly on the stool
- DO NOT** leave spilled liquid on stool
- DO NOT** use if damaged or broken
- DO NOT** make temporary repairs
- DO NOT** use outdoors

We are only in business if you're happy

For starters, thanks for being you.

☎ Toll-free at 1-866-619-1004

✉ Help@nathanjames.com

🌐 NathanJames.com/help

We do our best to ensure your furniture arrives without any problems, but occasionally mistakes happen—as humans we are imperfect beings. In the event that a part is damaged or missing, we will be more than happy to provide you with replacement part(s) for free.

Warranty

This product comes with a lifetime warranty from the date of purchase. Please use your phone to scan the QR code to register your product or visit <https://goo.gl/i9dk3q>



Did we do alright? Please spread the love!

If you are happy with your product, tell your friends and family about us or even better leave us a review online. Spreading the word gives us the opportunity to make more people happy and keep our prices low for your next purchase.

Brooklyn Burden

Founder, Nathan James