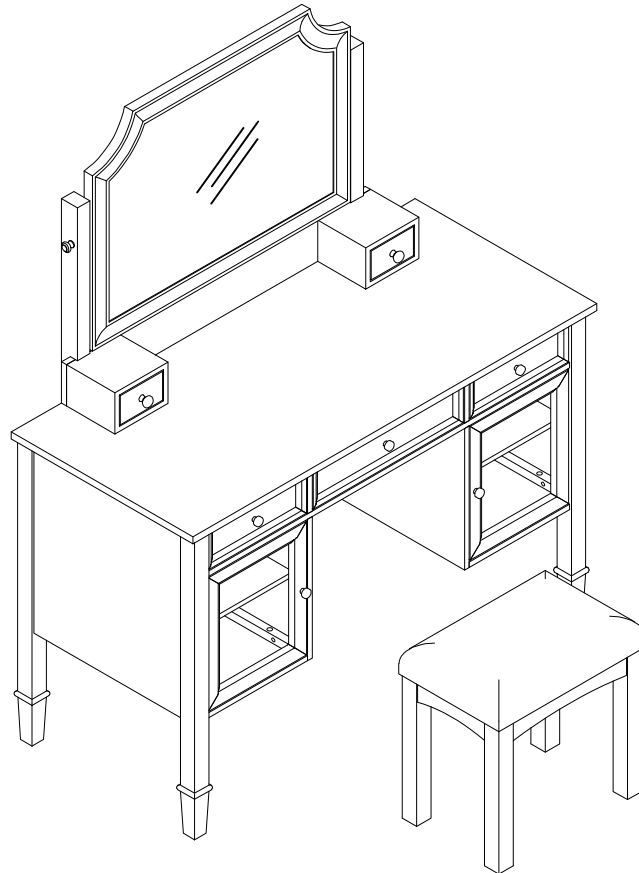


DRESSING TABLE

Assembly Instructions - Please keep for future reference

N844P292486A



Dimensions 's Table

Width-44.5 inch

Depth-20 inch

Height-29.6 inch

Dimensions 's Chair

Width-16 inch

Depth-11 inch

Height-16.75 inch

Dimensions 's Mirror

Width-28.4 inch

Depth-0.8 inch

Height-20.6 inch

Important - Please read these instructions fully before starting assembly

Issue 1 - 28/3/25



Safety and Care Advice

Important – Please read these instructions fully before starting assembly

- Check you have all the components and tools listed on the following pages.
- Remove all fittings from the plastic bags and separate them into their groups.
- Keep children and animals away from the work area, small parts could choke if swallowed.
- Make sure you have enough space to layout the parts before starting.

- During assembly do not stand or put weight on the product, this could cause damage.
- Assemble the item as close to its final position (in the same room) as possible.
- Assemble on a soft level surface to avoid damaging the unit or your floor.
- Parts of the assembly will be easier with 2 people.



- To reduce the likelihood of damaging your product please ensure that your power drill is set on a low torque setting.

Care and maintenance

- Only clean using a damp cloth and mild detergent, do not use bleach or abrasive cleaners.
- From time to time check that there are no loose screws on this unit.
- This product should not be discarded with household waste. Take to your local authority waste disposal centre.

Handy Hints

- Assemble all parts and bolts loosely during assembly, only once the product is complete should you fully tighten the bolts
- Regularly check and ensure that all bolts and fittings are tightened properly.

WARNING In order to help prevent overturning – please follow these instructions

To help prevent product toppling over please follow the below steps:-


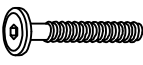






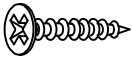


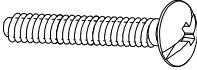
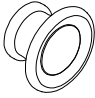
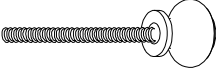
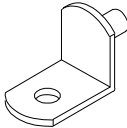
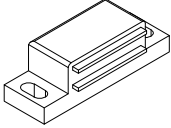
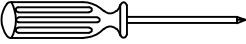


Use the anti tip strap or wall fixing method provided (if applicable)
Do not allow children to climb or hang on the furniture
Do not open more than one drawer at a time
Do not place heavy items in the top drawers
Do not place heavy items on top of the furniture, unless the furniture has been designed for this purpose

Please note that only the anti tip strap is provided.
You will need to provide wall plugs and screws applicable for your wall type

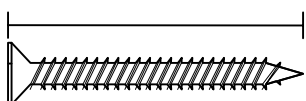
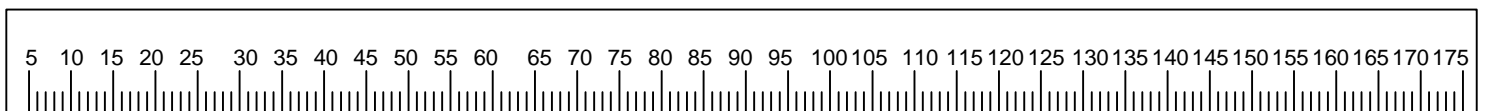
Components - Fittings

Please check you have all the panels listed below

Note: The quantities below are the correct amount to complete the assembly. In some cases more fittings may be supplied than are required.

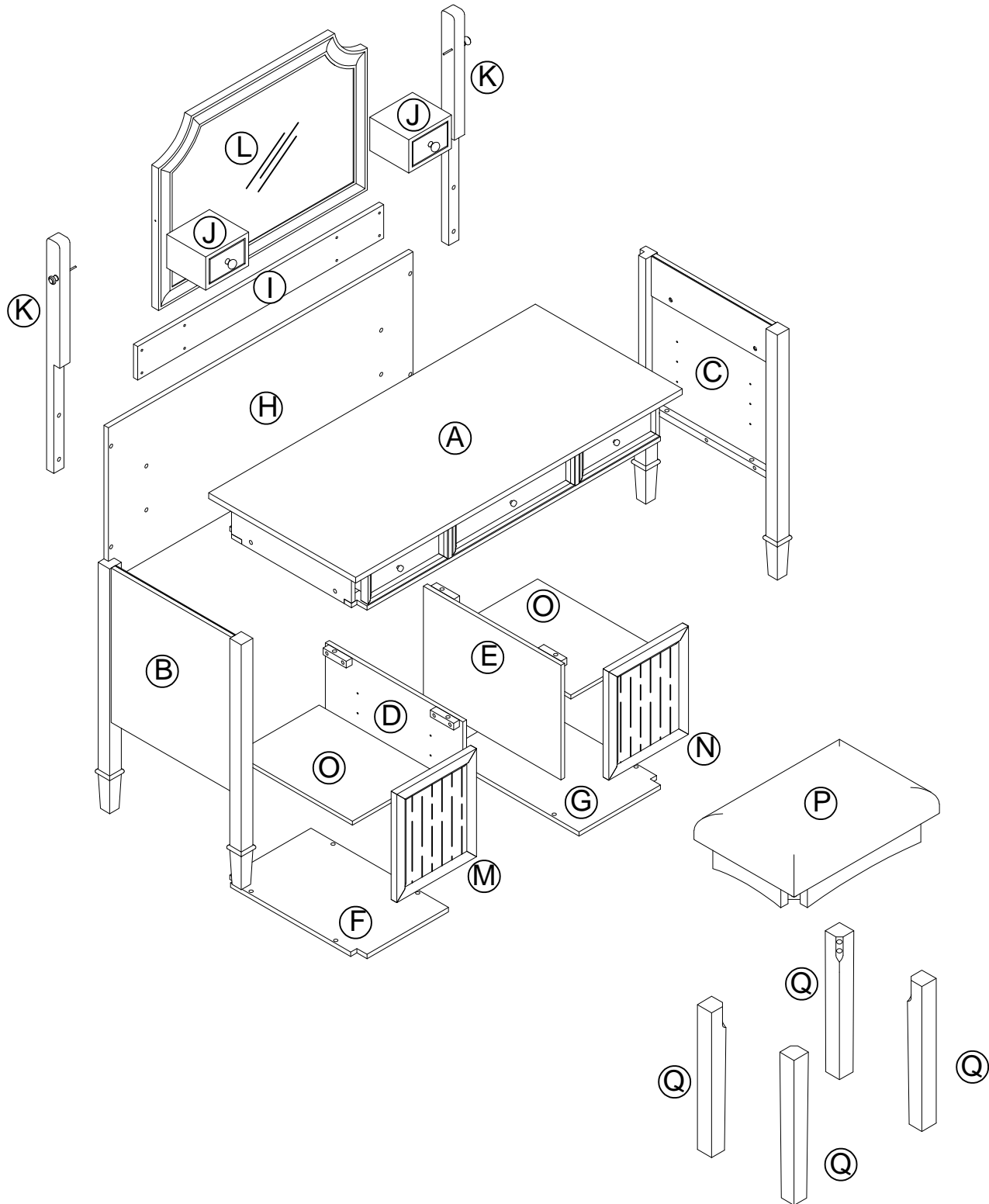
<p>①</p>  <p>Ø1/4"x35mm Bolt x 4pcs</p>	<p>②</p>  <p>Ø1/4"x25mm Bolt x 20pcs</p>	<p>③</p>  <p>Ø5/16"x50mm Bolt x 8pcs</p>	
<p>④</p>  <p>Ø1/4" Spring Washer x 26pcs</p>	<p>⑤</p>  <p>Ø1/4"x16x1mm Flat Washer x 26pcs</p>	<p>⑥</p>  <p>Ø5/16" Spring Washer x 8</p>	<p>⑦</p>  <p>Ø5/16"x19x1mm Flat Washer x 8pcs</p>
<p>⑧</p>  <p>4mm Allen key x 1pc</p>	<p>⑨</p>  <p>#3x15mm Screws x 16pcs</p>	<p>⑩</p>  <p>Metal Pads x 2</p>	
<p>⑪</p>  <p>#4x25mm Screws x 8pcs</p>	<p>⑫</p>  <p>Ø5/32"x 25mm Bolt x 2pcs</p>	<p>⑬</p>  <p>Handle x 2pcs</p>	
<p>⑭</p>  <p>Ø1/4"x 60mm Twist handle x 2pcs</p>	<p>⑮</p>  <p>Cup shelf latch x 8pcs</p>	<p>⑯</p>  <p>Double door block x 2pcs</p>	
<p>⑰</p>  <p>Screw driver (not provided)</p>	<p>⑱</p>  <p>Anti-Tip Restraint x 2 set</p>	<p>⑲</p>  <p>#3x10mm Screws x 8pcs</p>	

Ruler - Use this ruler to help correctly identify the screws

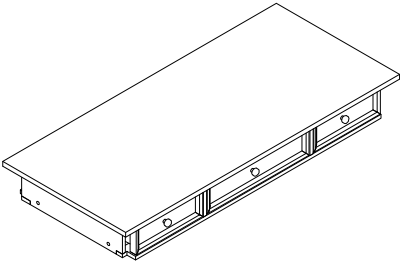
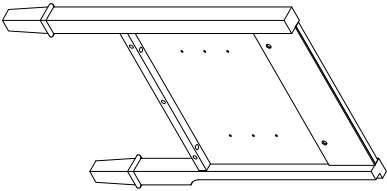
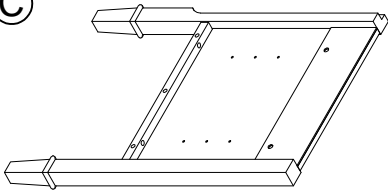
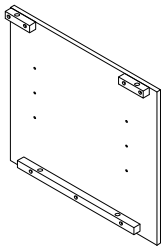
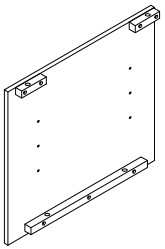
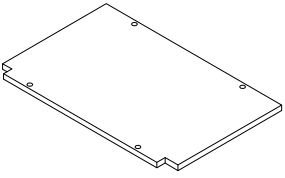
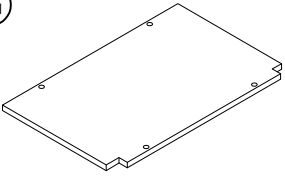
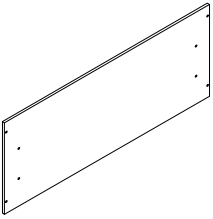
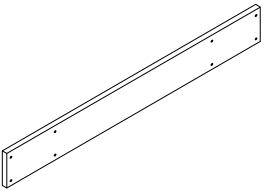
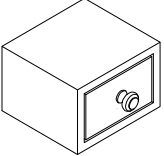
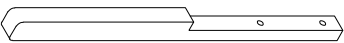
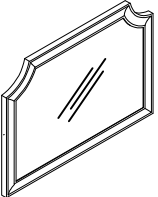
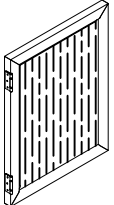

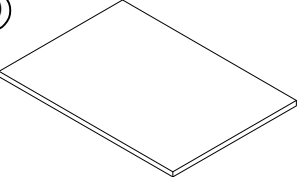
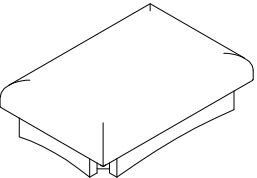



The screws length is measured from the head to the point (40mm screw shown).

Assembly Instructions

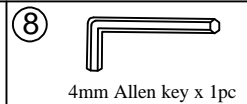
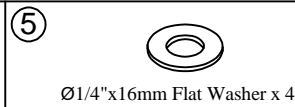
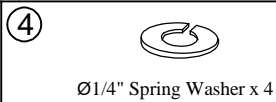
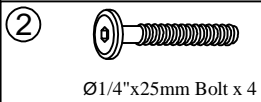
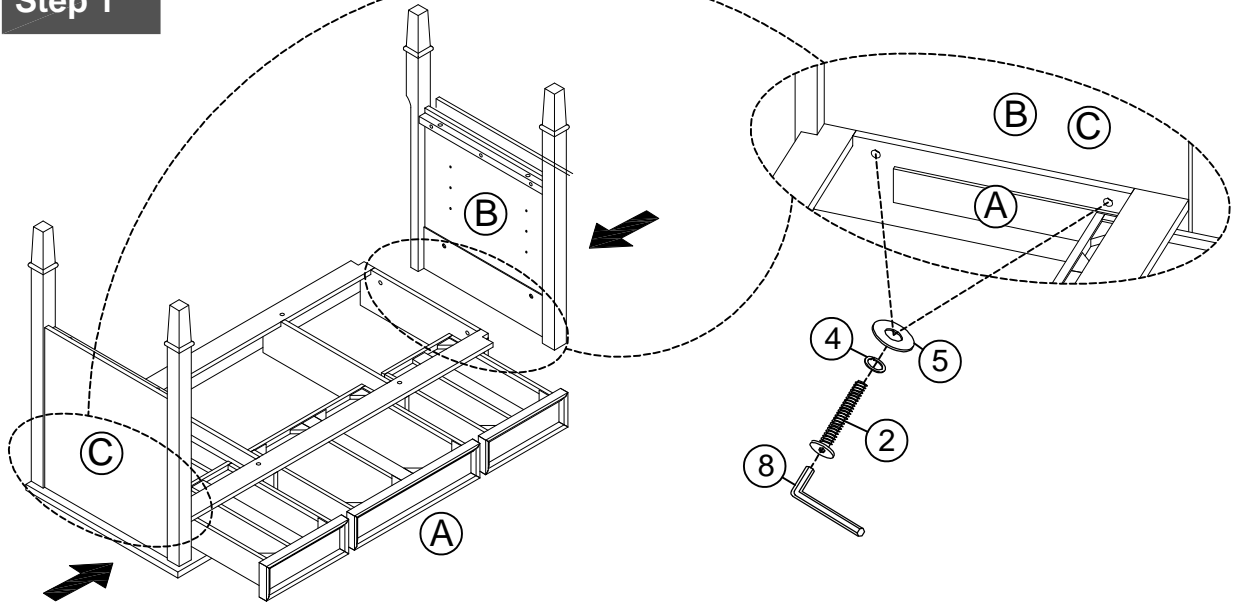


Assembly Instructions

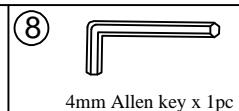
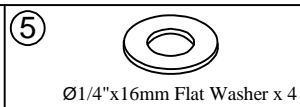
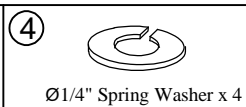
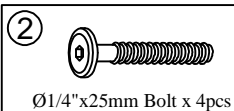
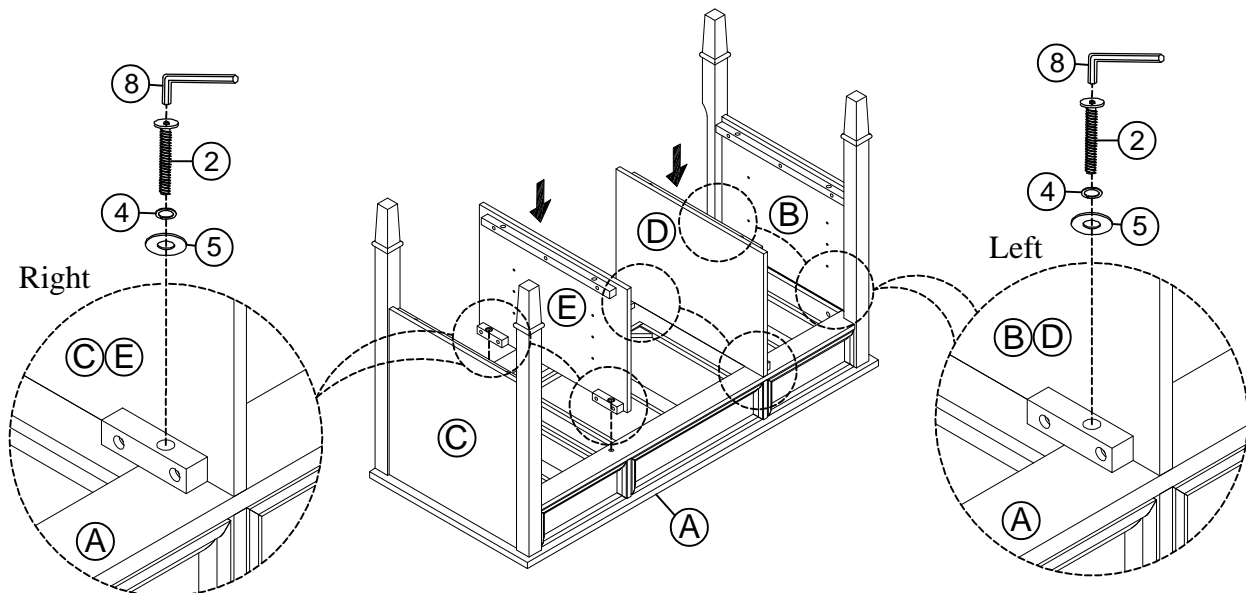
<p>(A)</p>  <p>Table top frame - 1pc</p>	<p>(B)</p>  <p>Left frame leg - 1pc</p>	
<p>(C)</p>  <p>Right frame leg - 1pc</p>	<p>(D)</p>  <p>Middle side board Left-1pc</p>	<p>(E)</p>  <p>Middle side board Right-1pc</p>
<p>(F)</p>  <p>Left bottom board - 1pc</p>	<p>(G)</p>  <p>Right bottom board - 1pc</p>	<p>(H)</p>  <p>Back board - 1pc</p>
<p>(I)</p>  <p>Mounting plate - 1pc</p>	<p>(J)</p>  <p>Mini drawer - 2pcs</p>	<p>(K)</p>  <p>Support Mirror - 2pcs</p>
<p>(L)</p>  <p>Mirror - 1pc</p>	<p>(M)</p>  <p>Left door - 1pc</p>	<p>(N)</p>  <p>Right door - 1pc</p>
<p>(O)</p>  <p>Shelf board - 2pcs</p>	<p>(P)</p>  <p>Chair frame with Cushion-1pc</p>	<p>(Q)</p>  <p>Legs - 4pcs</p>

Assembly Instructions

Step 1

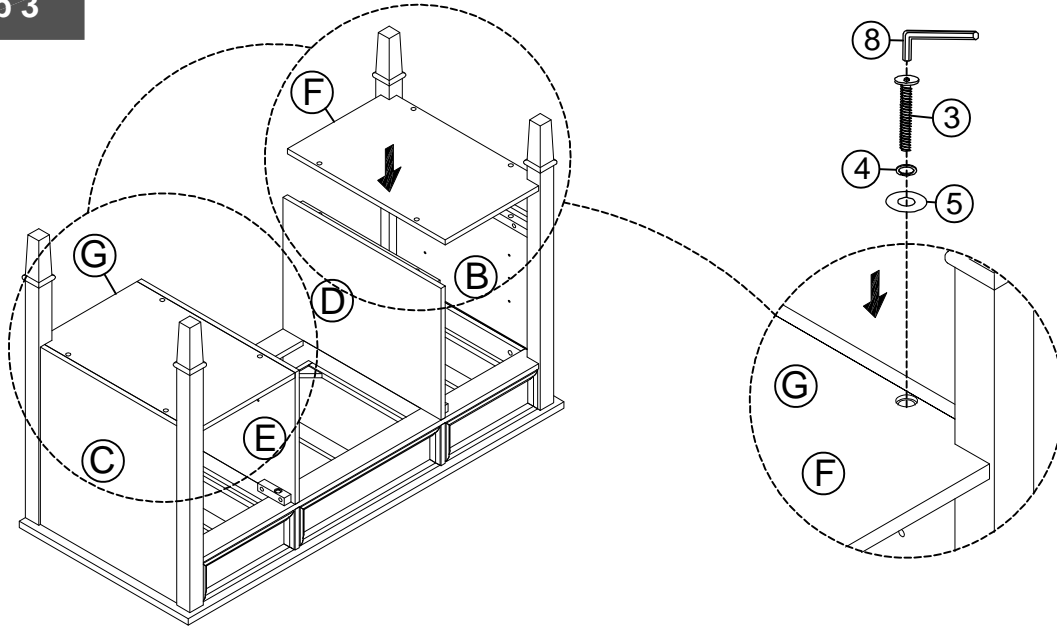






Step 2



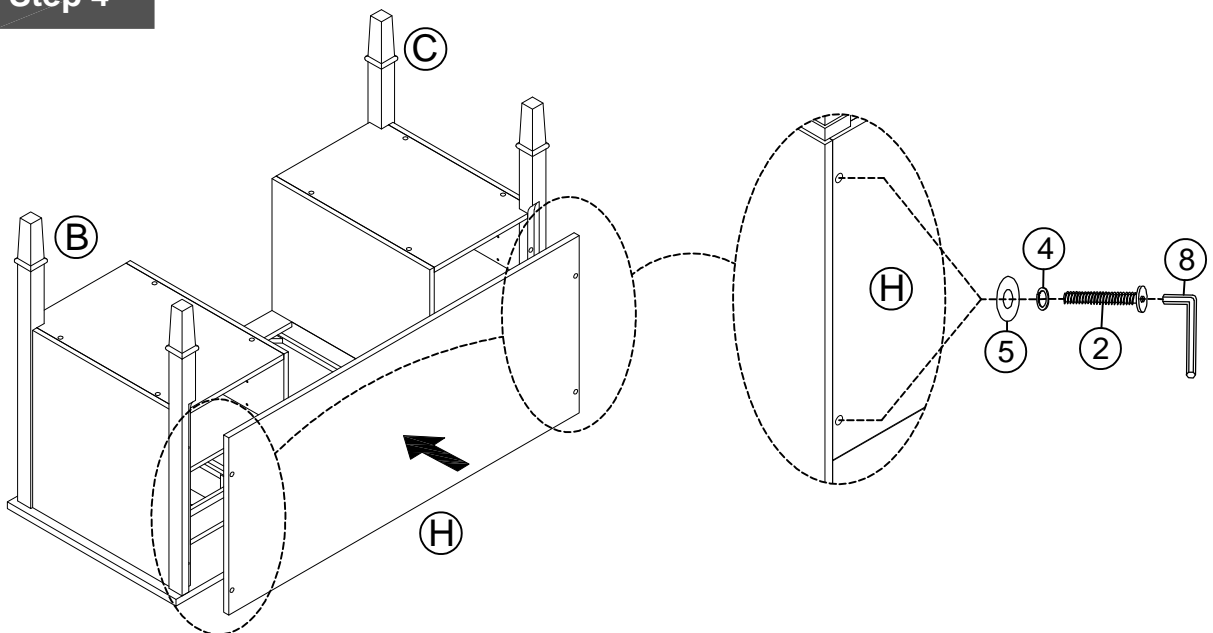
Assembly Instructions





Step 3



<p>②  $\text{\O}1/4\text{"}\times 25\text{mm}$ Bolt x 8</p>	<p>④  $\text{\O}1/4\text{"}$ Spring Washer x 8</p>	<p>⑤  $\text{\O}1/4\text{"}\times 16\text{mm}$ Flat Washer x 8</p>	<p>⑧  4mm Allen key x 1pc</p>
---	--	--	--

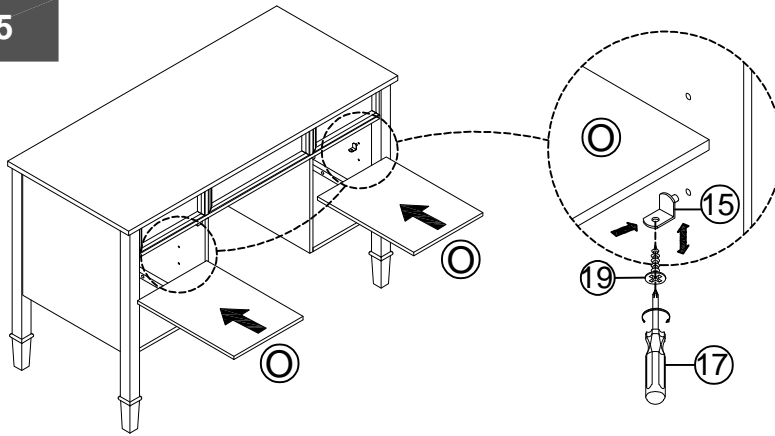
Step 4



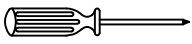


<p>②  $\text{\O}1/4\text{"}\times 25\text{mm}$ Bolt x 4</p>	<p>④  $\text{\O}1/4\text{"}$ Spring Washer x 4</p>	<p>⑤  $\text{\O}1/4\text{"}\times 16\text{mm}$ Flat Washer x 4</p>	<p>⑧  4mm Allen key x 1pc</p>
---	--	--	--

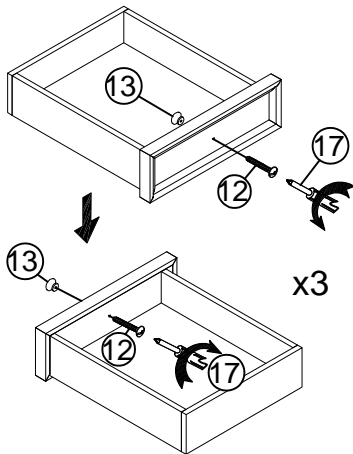
Assembly Instructions

Step 5

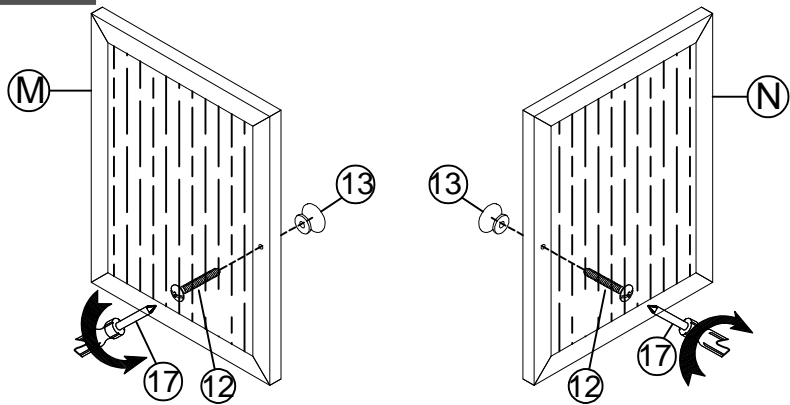




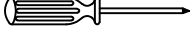
- | | |
|----|---|
| 19 |  |
| | #3x10mm Screws x 8 |
| 15 |  |
| | Cup shelf latch x 8 |
| 17 |  |
| | Screw driver (not provided) |

Step 6

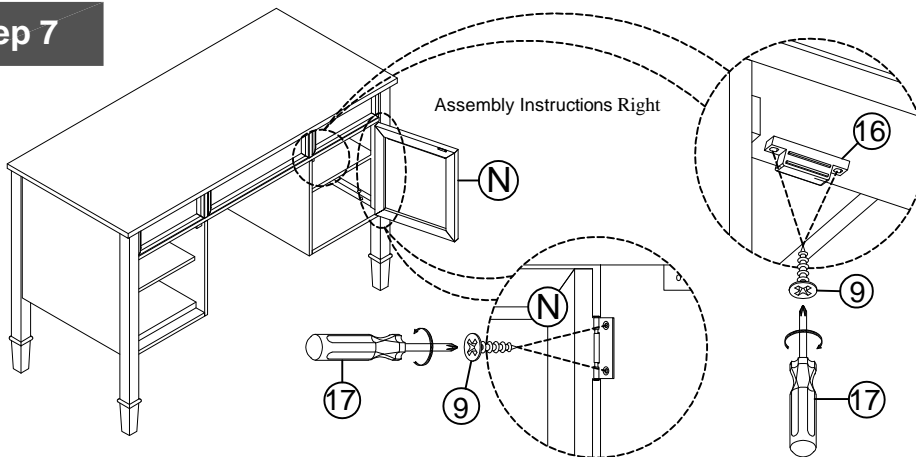




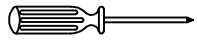
Step 6.1



- | | | | | | |
|----|---|----|---|----|---|
| 12 |  | 13 |  | 17 |  |
| | Ø5/32"x 25mm Bolt x 2 | | Handle x 2 | | Screw driver (not provided) |

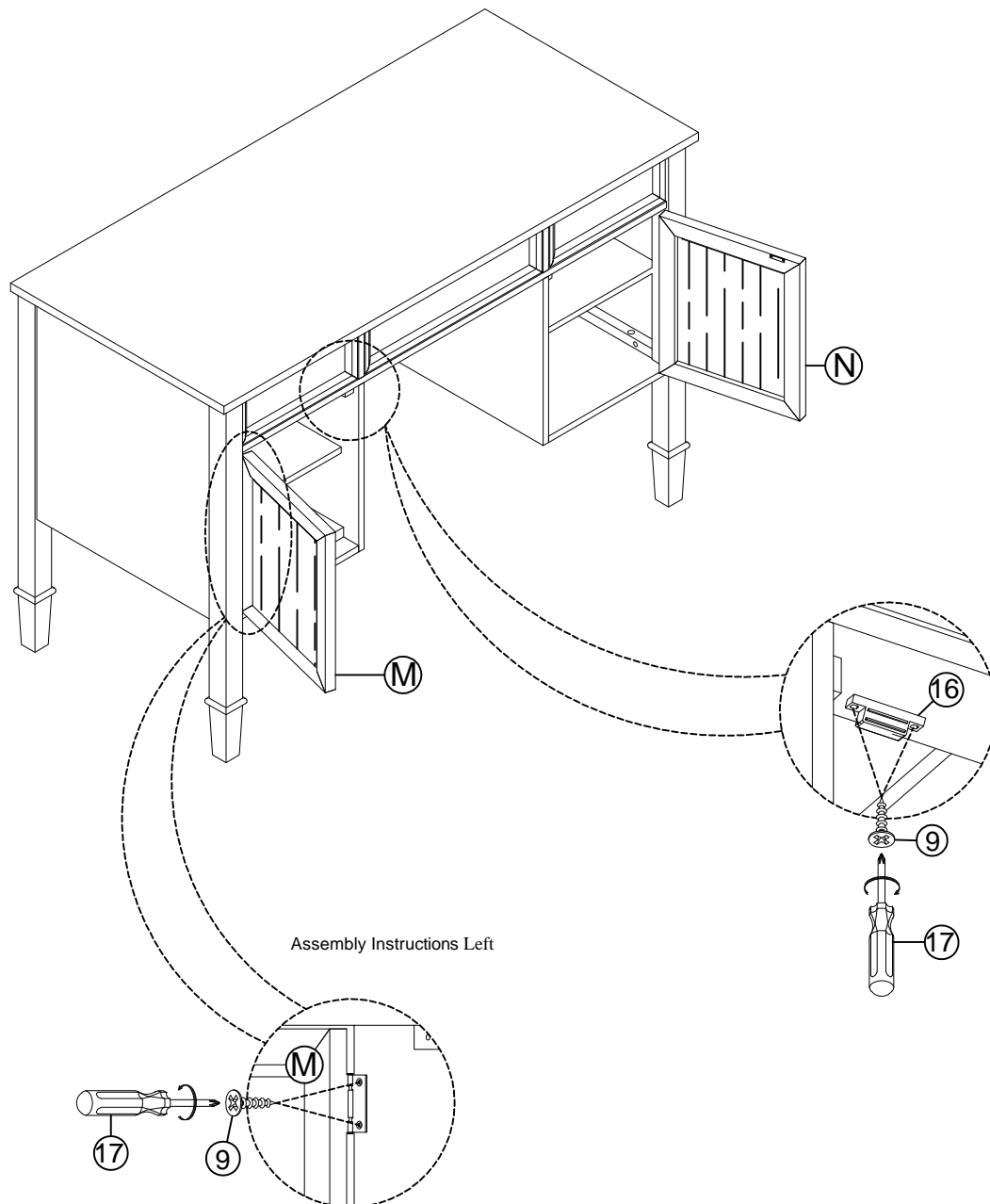
Step 7



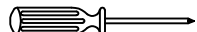


- | | | | | | |
|---|---|----|---|----|--|
| 9 |  | 16 |  | 17 |  |
| | #3x15mm Screws x 6 | | Double door block x 1pc | | Screw driver (not provided) |

Assembly Instructions

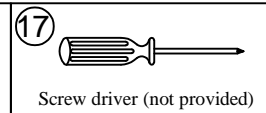
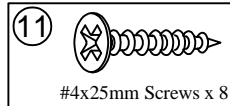
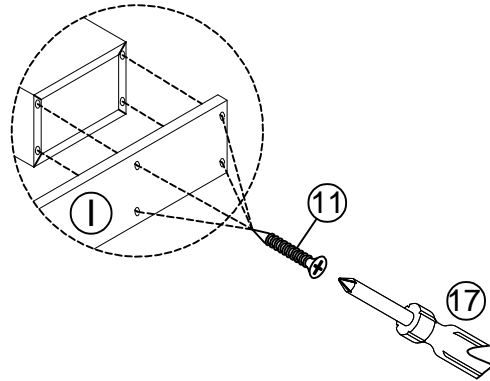
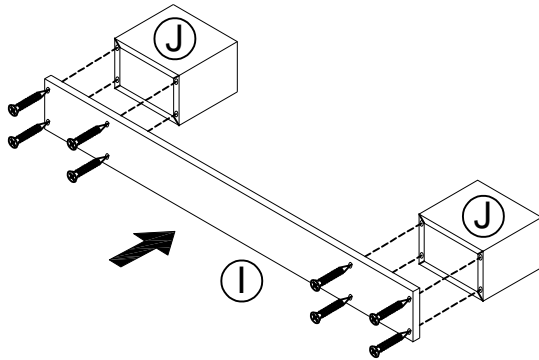
Step 8



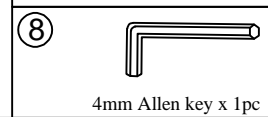
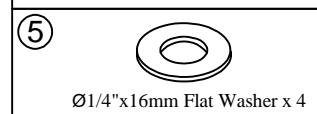
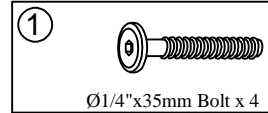
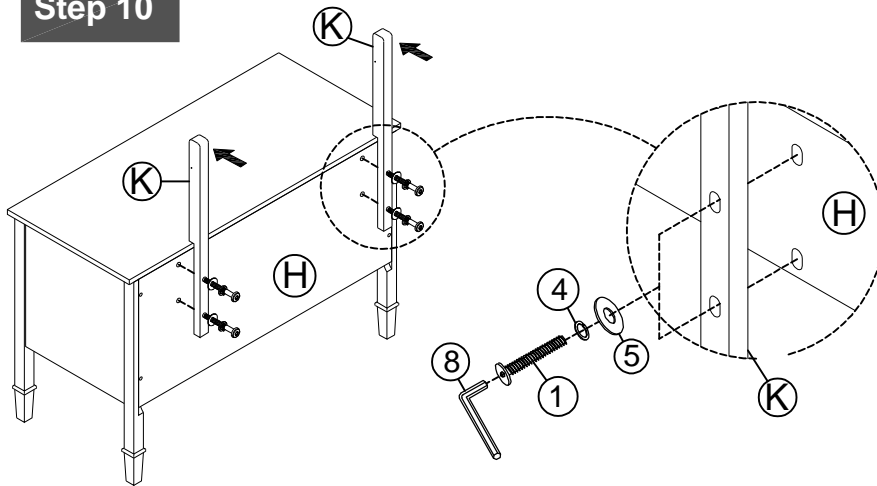
<p>9</p>  <p>#3x15mm Screws x 6</p>	<p>16</p>  <p>Double door block x 1pc</p>	<p>17</p>  <p>Screw driver (not provided)</p>	
--	--	---	--

Assembly Instructions

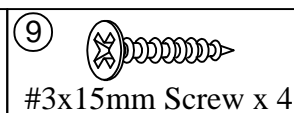
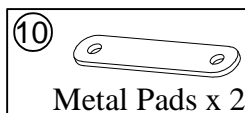
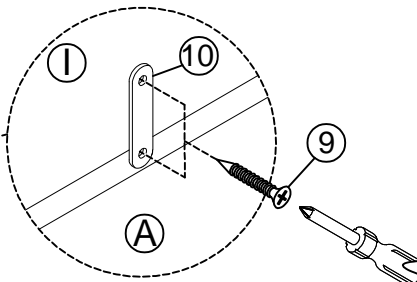
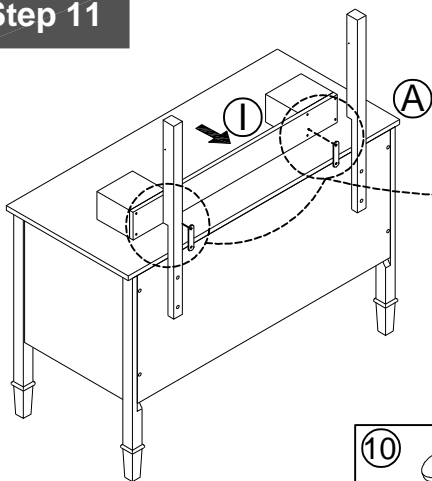
Step 9



Step 10

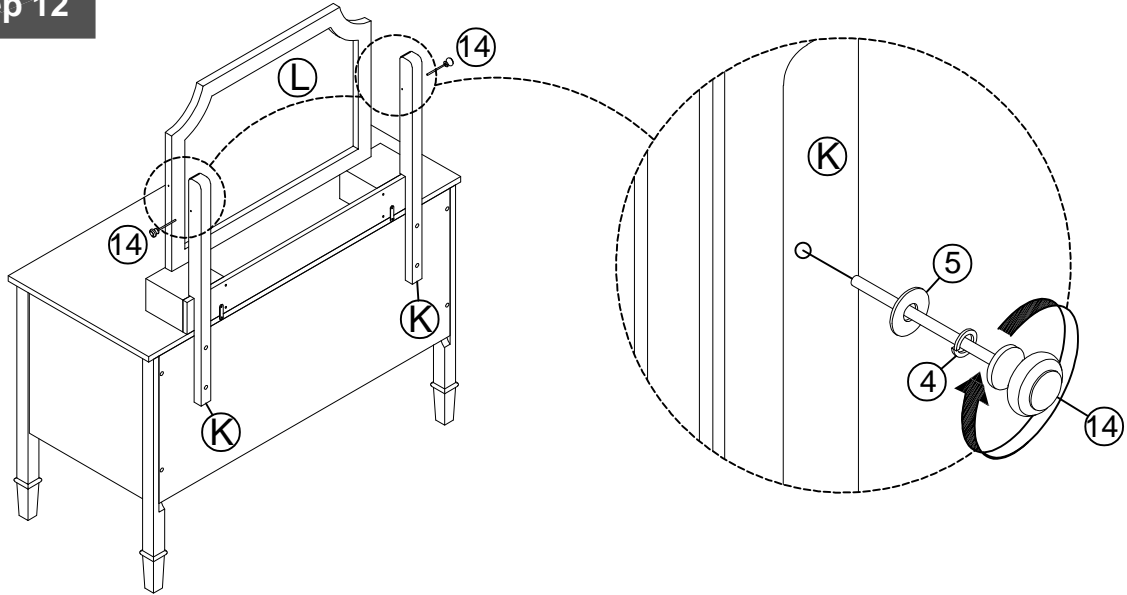





Step 11



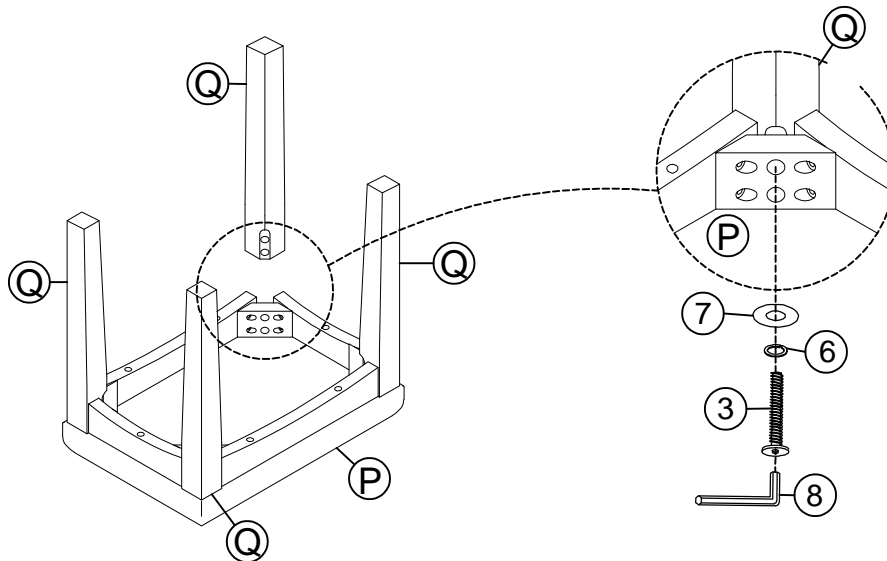
Assembly Instructions

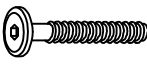



Step 12



<p>④</p>  <p>Ø1/4" Spring Washer x 2</p>	<p>⑤</p>  <p>Ø1/4"x16mm Flat Washer x 2</p>	<p>⑭</p>  <p>Ø1/4"x 60mm Twist handle x 2</p>
---	--	--

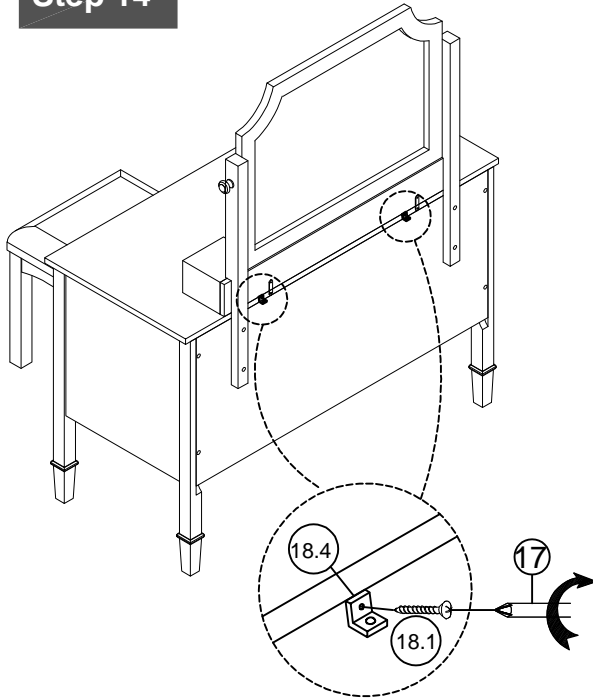
Step 13



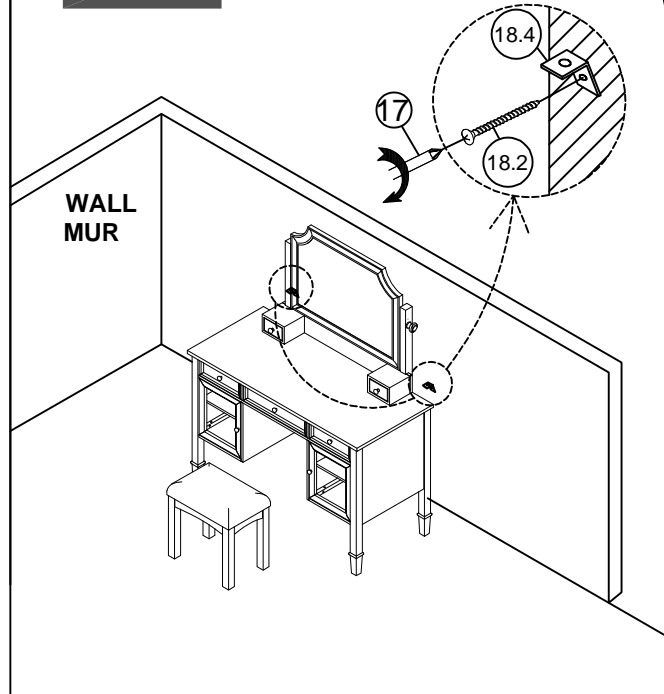
<p>③</p>  <p>Ø5/16"x50mm Bolt x 8</p>	<p>⑥</p>  <p>Ø5/16"x19mm Spring Washer x 8</p>	<p>⑦</p>  <p>Ø5/16" Flat Washer x 8</p>	<p>⑧</p>  <p>4mm Allen key x 1pc</p>
--	---	--	---

Assembly Instructions

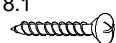
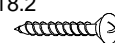


Step 14



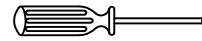
Step 14.1



Anti-Tip Restraint x 2 set

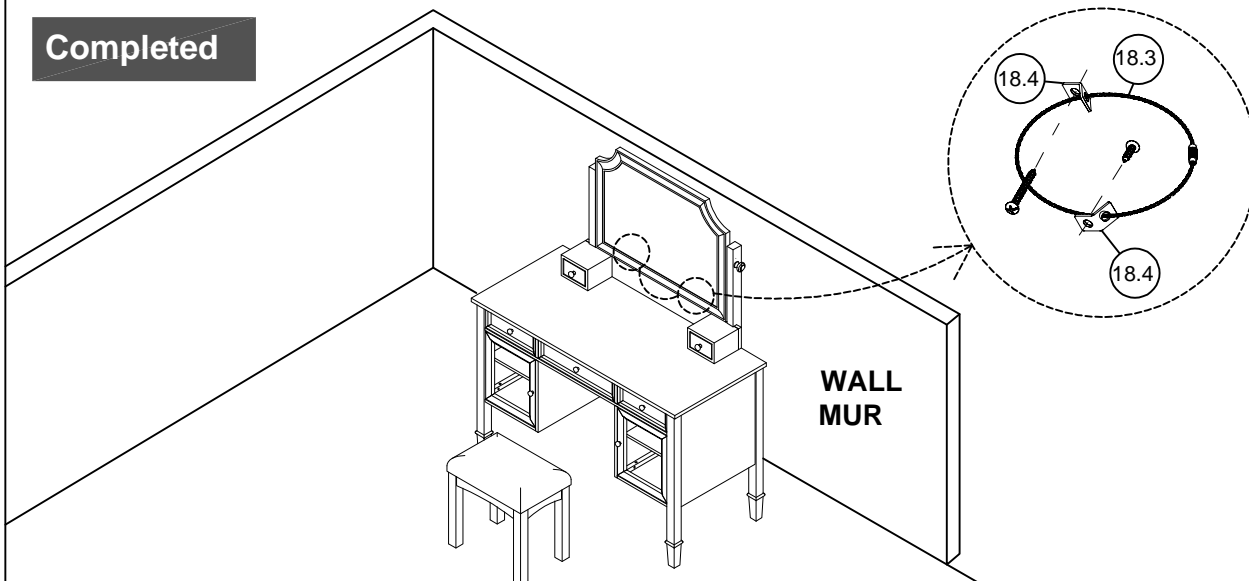
18.1  16mm screw x1	18.2  50mm screw x1	18.3  Tie Strap x1	18.4  L Bracket x2
--	--	---	---

17


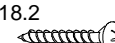

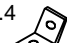


Screw driver (not provided)

Completed



Anti-Tip Restraint x 1 set

18.1  16mm screw x1	18.2  50mm screw x1	18.3  Tie Strap x1	18.4  L Bracket x2
--	--	---	--