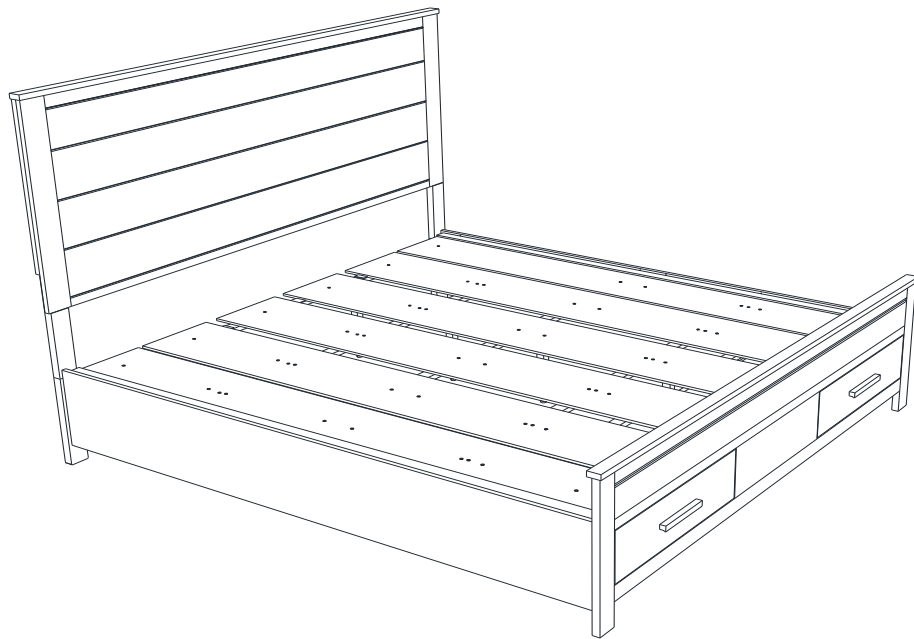


ASSEMBLY INSTRUCTIONS



Fine Furniture for every stage of life

California King Storage Bed

ASSEMBLY INSTRUCTIONS

ASSEMBLY TIPS:

1. Remove hardware from box and sort by size.
2. Please check to see that all hardware and parts are present prior to start of assembly.
3. Please follow attached instructions in the same sequence as numbered to assure fast & easy assembly.



WARNING!

1. Don't attempt to repair or modify parts that are broken or defective. Please contact the store immediately.
2. This product is for home use only and not intended for commercial establishments.



ASSEMBLY TIME

20 MINUTES

PARTS IDENTIFICATION

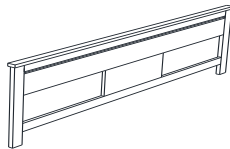
B1 (BOX 1)

A HEADBOARD
PANEL



1PC

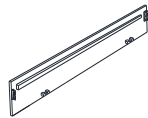
B FOOTBOARD
FRAME



1PC

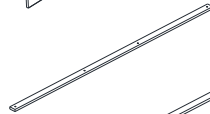
B2 (BOX 2)

E BED RAIL



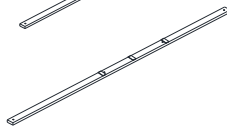
2PCS

F BED SLAT



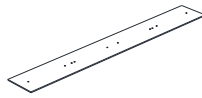
3PCS

G BED SLAT WITH
MARKING



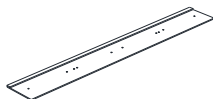
2PCS

H CONCEAL
PANEL



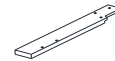
4PCS

I CONCEAL
PANEL WITH
SIDE CROWN



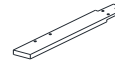
2PCS

C RIGHT
HEADBOARD
LEG



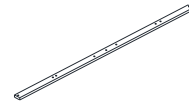
1PC

D LEFT
HEADBOARD
LEG



1PC

J DRAWER
BOTTOM
TRESTLE BAR



1PC

K DRAWER
SUPPORT RAIL



2PCS

L BED SLAT
SUPPORT WITH
LEVELER



10PCS

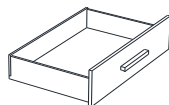
M DRAWER
SUPPORT LEG
WITH LEVELER



1PC

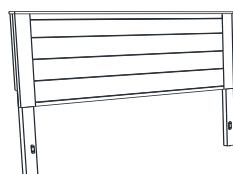
B3 (BOX 3)

N DRAWER BOX



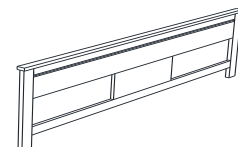
2PCS

HB FROM BOX 1
HEADBOARD
COMPLETE



1PC

B FROM BOX 1
FOOTBOARD
FRAME



1PC

ASSEMBLY INSTRUCTIONS

ASSEMBLY TIPS:

1. Remove hardware from box and sort by size.
2. Please check to see that all hardware and parts are present prior to start of assembly.
3. Please follow attached instructions in the same sequence as numbered to assure fast & easy assembly.







WARNING!









1. Don't attempt to repair or modify parts that are broken or defective. Please contact the store immediately.
2. This product is for home use only and not intended for commercial establishments.

HARDWARE IDENTIFICATION

BOX 1 - HARDWARE PACK

1	BOLT (M6 x 30mm - BLK)		6PCS	3	FLAT WASHER (1/4" ID x 13mm - BLK)		6PCS
2	LOCK WASHER (1/4" - BLK)		6PCS	4	ALLEN WRENCH (M4 x 60mm - BLK)		1PC

BOX 2 - HARDWARE PACK

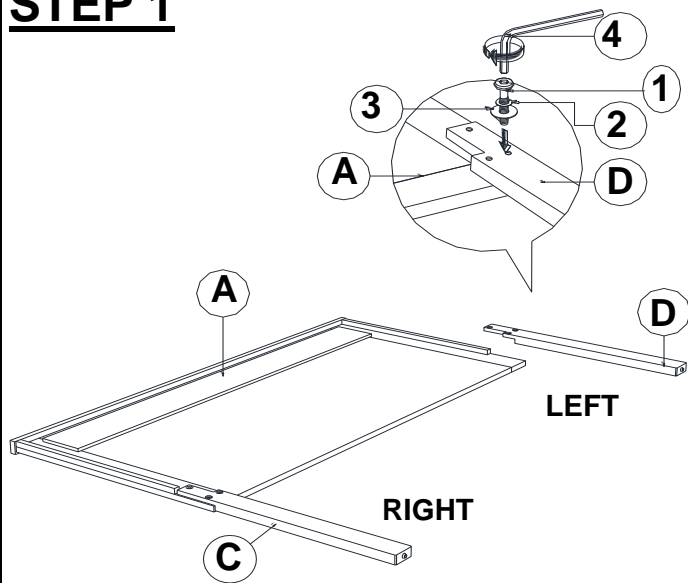
5	FLAT HEAD SCREW (M4 x 32mm - RBW)		14PCS	9	LOCK WASHER (1/4" - BLK)		2PCS
6	PAN HEAD SCREW (M3.5 x 20mm - BLK)		30PCS	10	FLAT WASHER (1/4" ID x 13mm - BLK)		2PCS
7	SHORT BOLT (M6 x 35mm - BLK)		2PCS	11	SMALL ALLEN WRENCH (M4 x 60mm - BLK)		1PC
8	LONG BOLT (M6 x 50mm - BLK)		11PCS	12	BIG ALLEN WRENCH (M5 x 65mm - BLK)		1PC

NOTE:

Phillips head screw driver is required in the assembly process; however, manufacturer does not provide this item.

ASSEMBLY INSTRUCTIONS

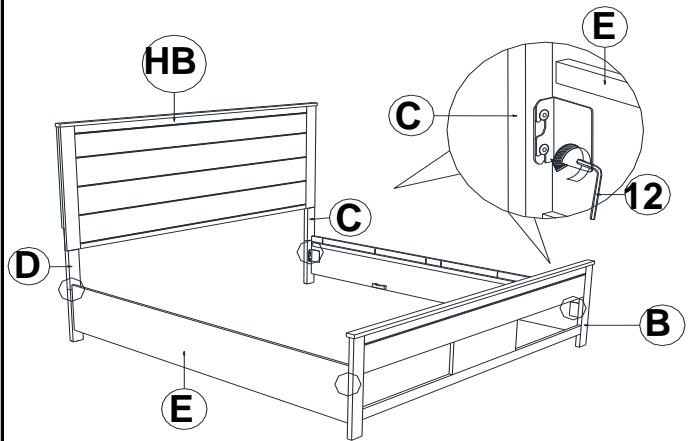
STEP 1



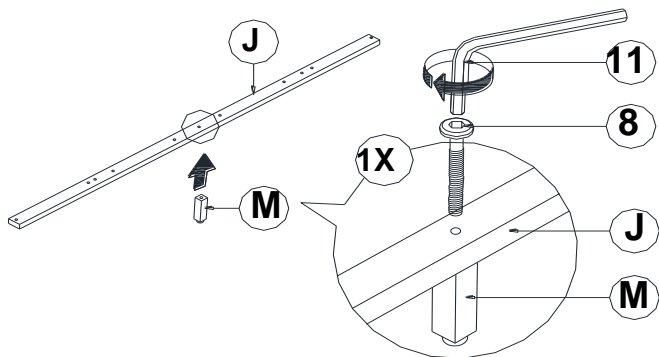
****BACK VIEW****

Note : Please take note of the marking sticker (L&R) on the leg.

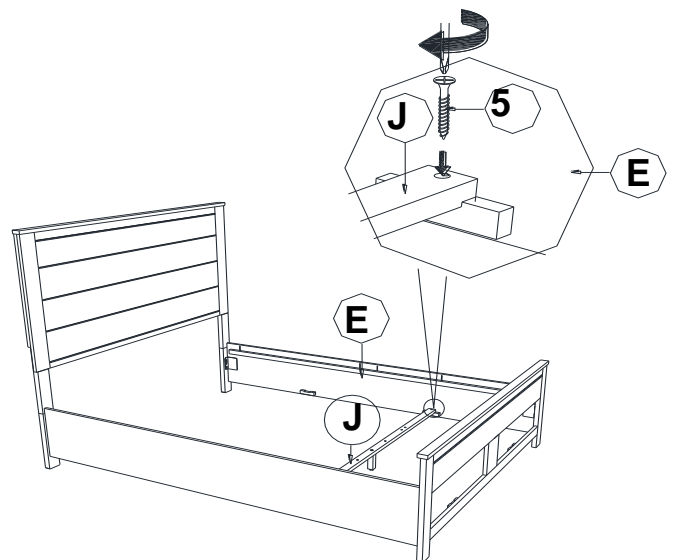
STEP 2



STEP 3

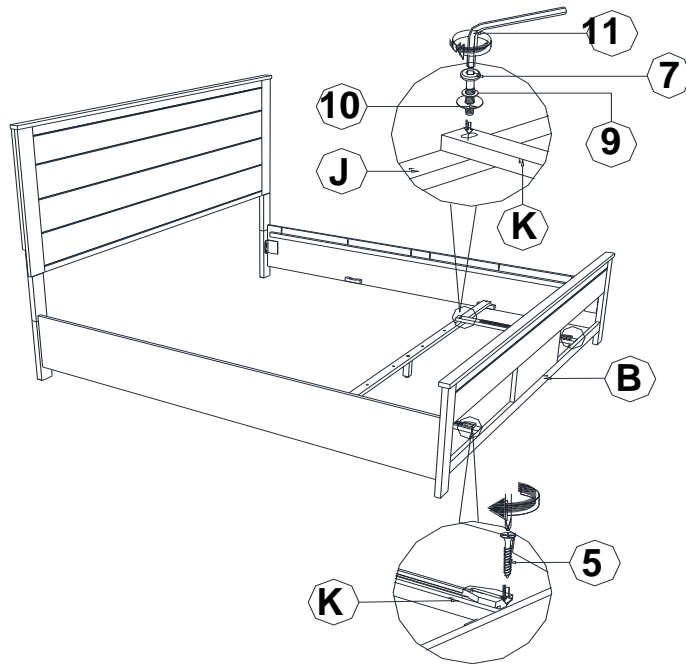


STEP 4

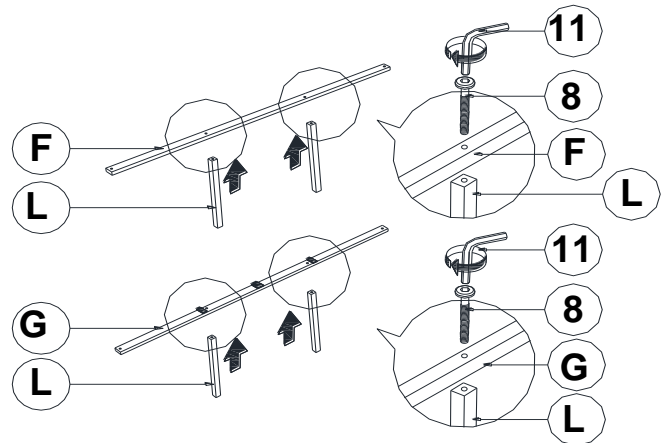


ASSEMBLY INSTRUCTIONS

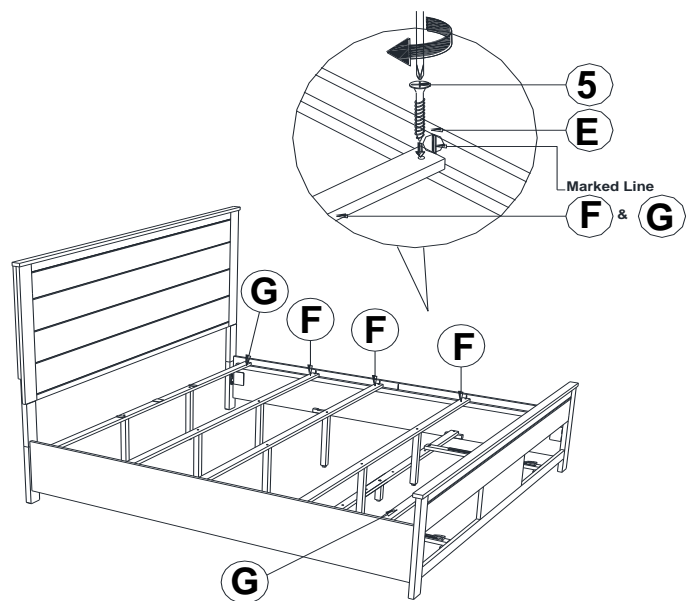
STEP 5



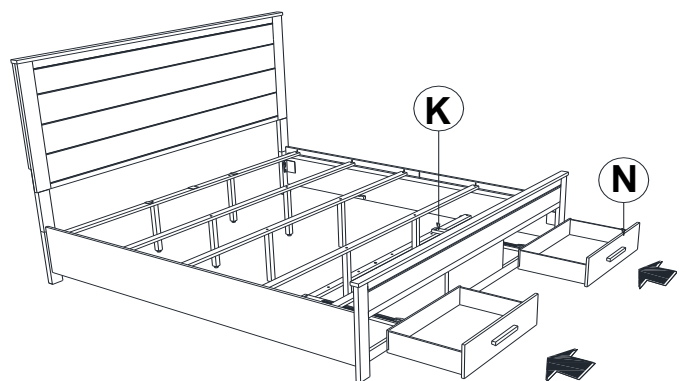
STEP 6



STEP 7

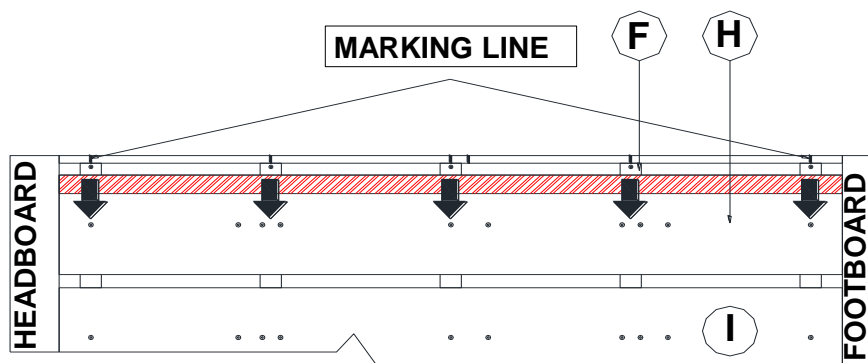


STEP 8

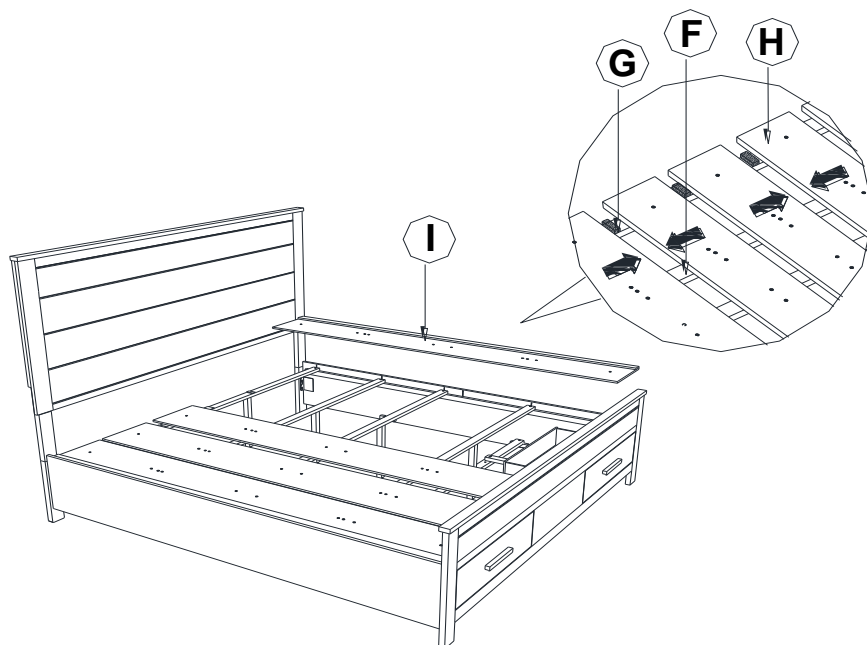


ASSEMBLY INSTRUCTIONS

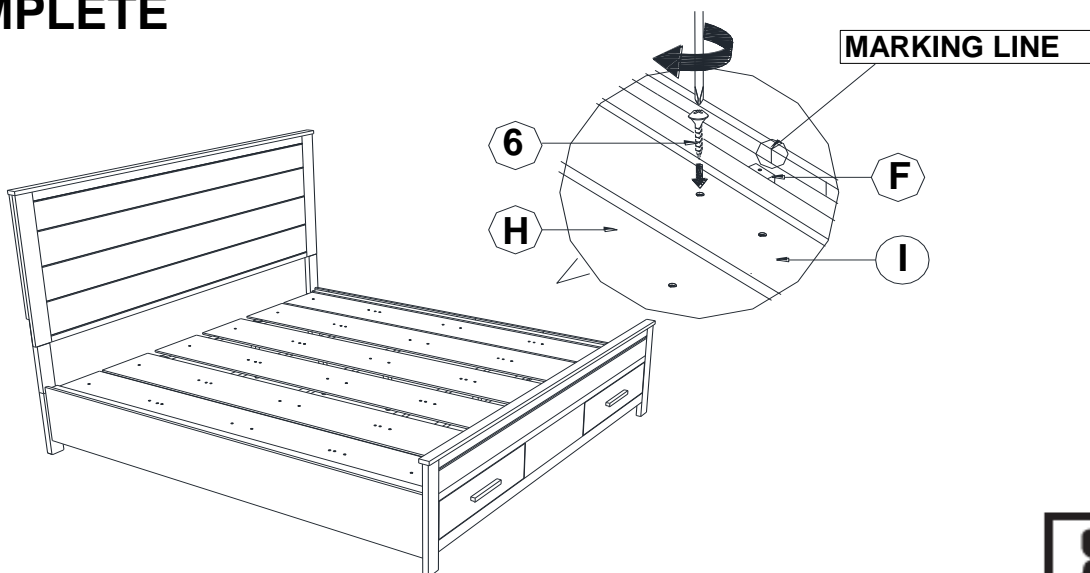
STEP 9



TIGHTEN THE PANHEAD SCREW (6) BY FOLLOW THE ARROW AS SHOWN

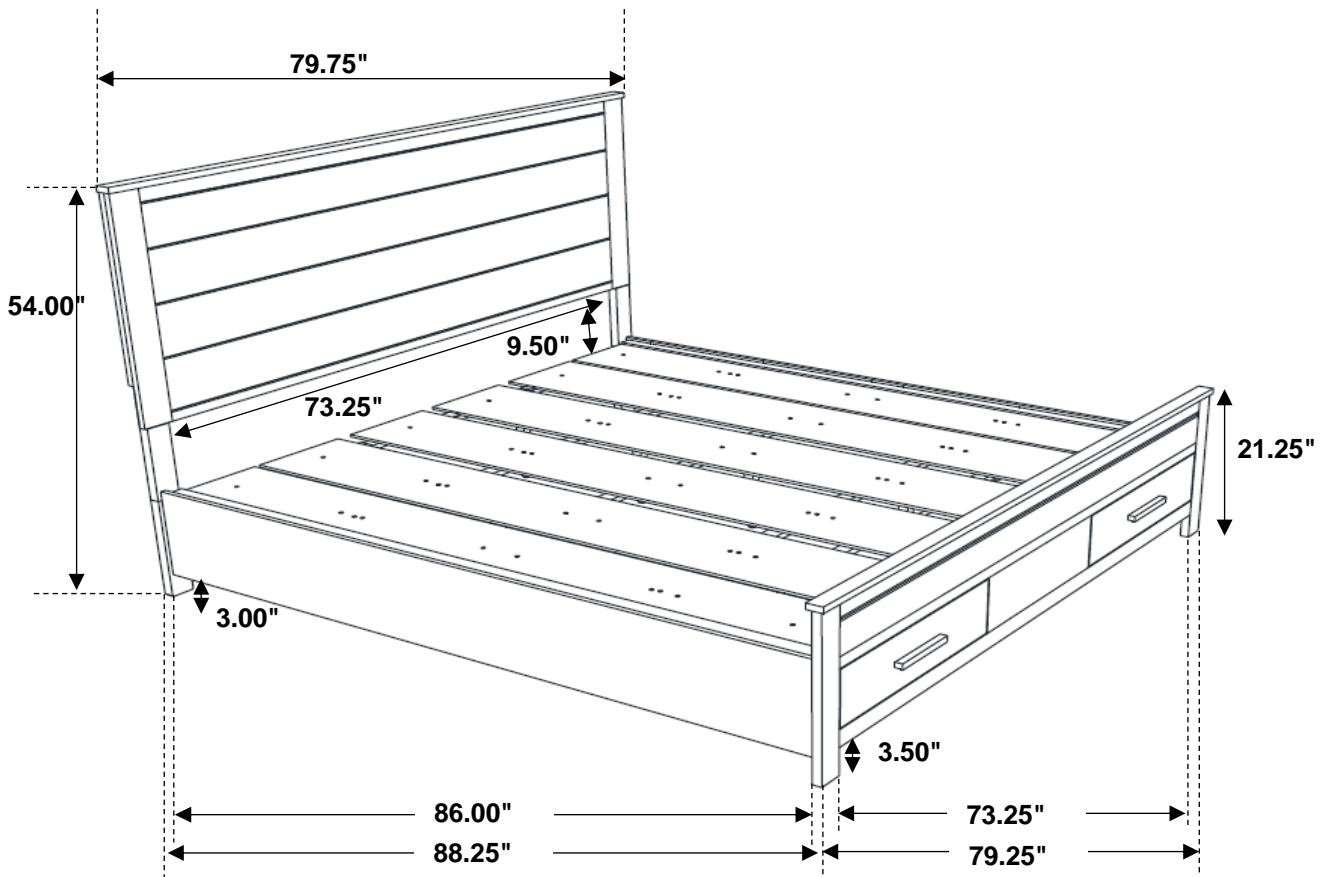


STEP 10 COMPLETE



Inner Size of Bed: 77.00"W X 86.00"D

Inner Size of Drawer : 23.25"W X 15.00"D X 5.00"H X 0.25"T



Note: Dimension tolerance $\pm 5\%$