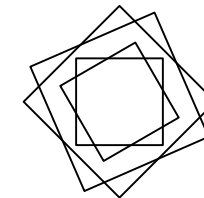
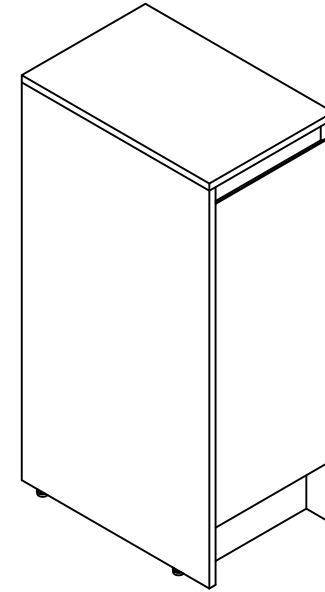


Installation Manual-BV B120 E12A

MOTIVATE  
YOUR LIFE !

## THANKS FOR WATCHING

Your feedback is invaluable to us and we would love to hear about your experience. Please take the time to leave us a review.



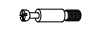







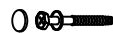


## Thank you for shopping with us!

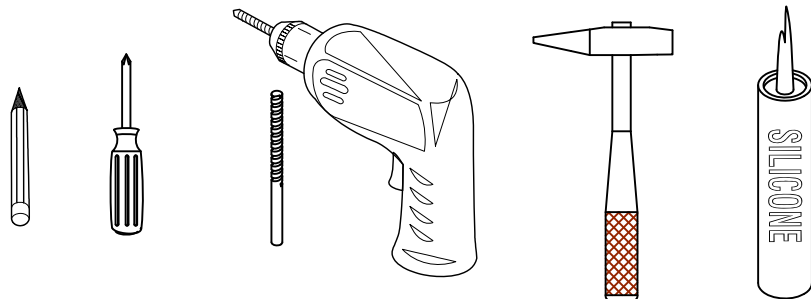
We encourage you to take a few minutes to go through this booklet. It contains important information on installation and care tips to keep your furniture looking as good as new.

# Item NO.:BV B120 E12A

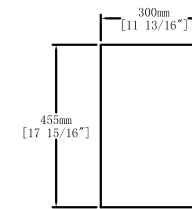
## Hardware

NO.	Draw	QTY	NO.	Draw	QTY
A	 Screws Ø4x14mm	12	G	 Hinges(Internal hiding )	2
B	 Two-in-one connector	24	H	 Adjustable feet	4
C	 Two-in-one connector	24	I	 Movable laminate support	4
D	 Wood plug	6	J	 Anti-collision gasket	2
E	 Plastic anchor(Ø10mm)	2	K	 Screwdriver	1
F	 Screws for fix on the wall	2			

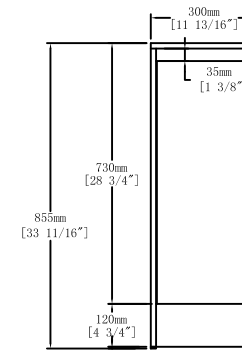
## Recommended tools



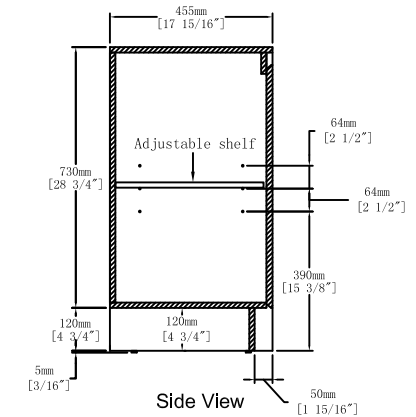
## Dimensions



Top View



Front View

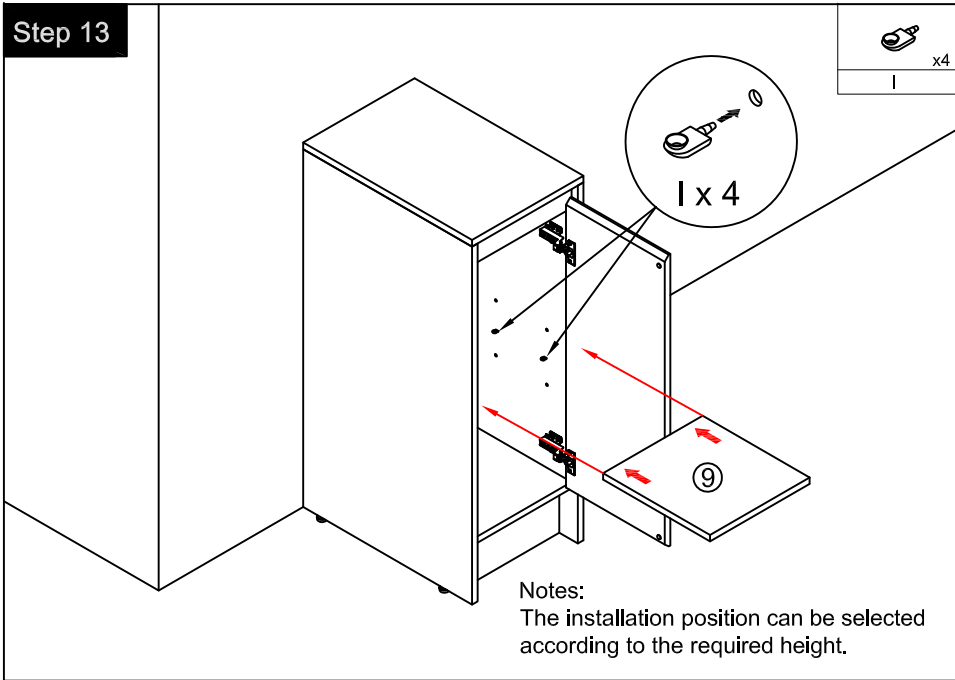


Side View

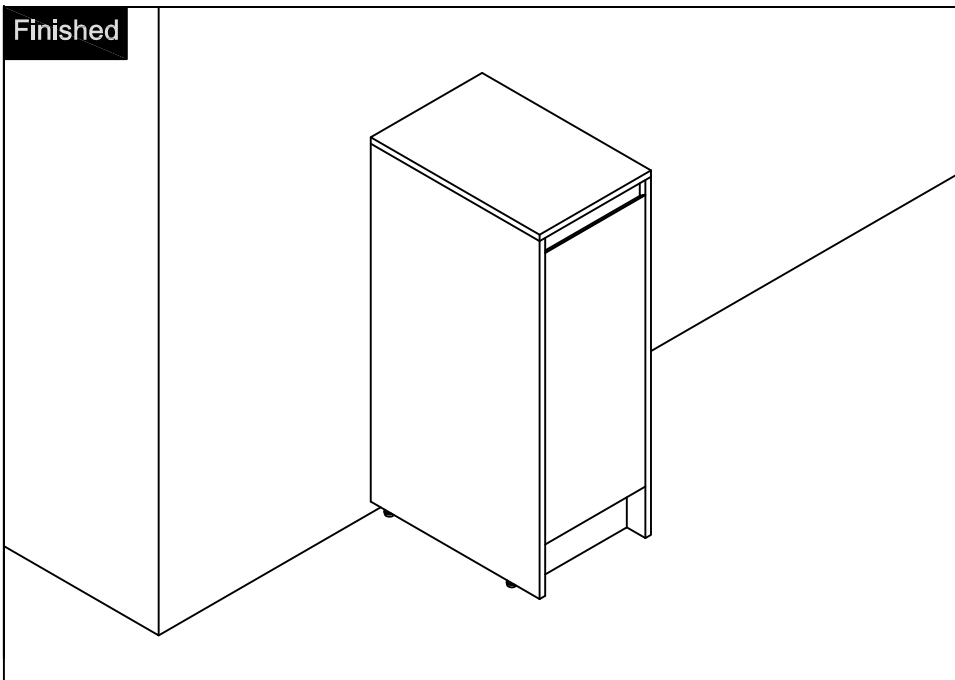
## CARE CLEANING AND MAINTENANCE

- 1.Dust regularly with a soft , dry cloth.
- 2.Avoid the use of all chemicals household cleaners, abrasives, or cleaners that contain lemon, vinegar, or other acids that may damage the finish.
- 3.Excessive exposure to sunlight and extreme changes in temperature and moisture can damage wood furniture.
- 4.Do not place hot appliances, such as curling irons and hot hair dryers directly on the countertop. Wipe spills immediately.

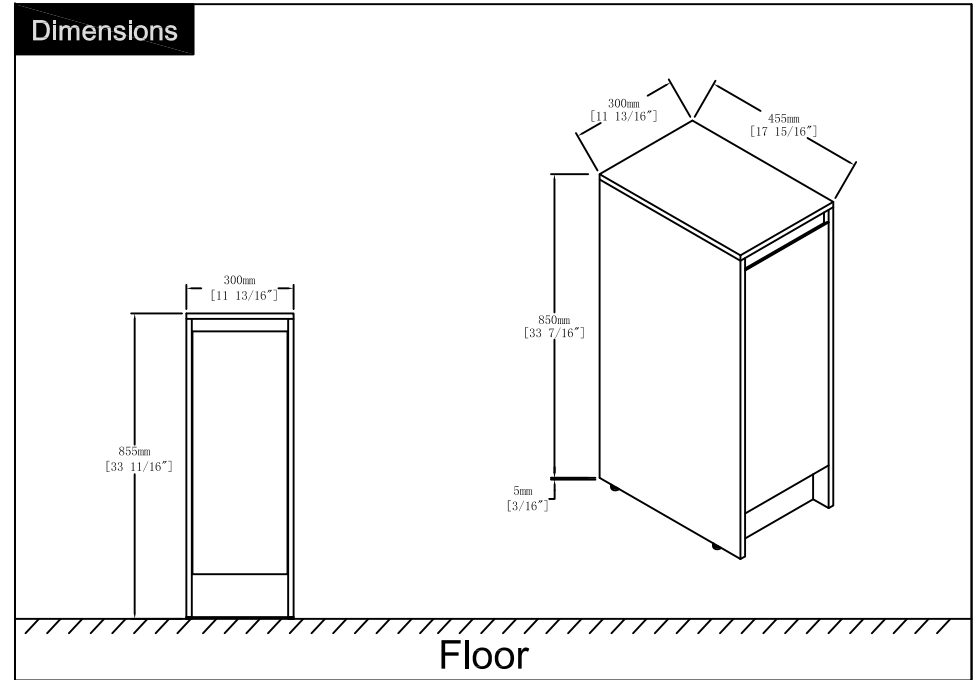
### Step 13



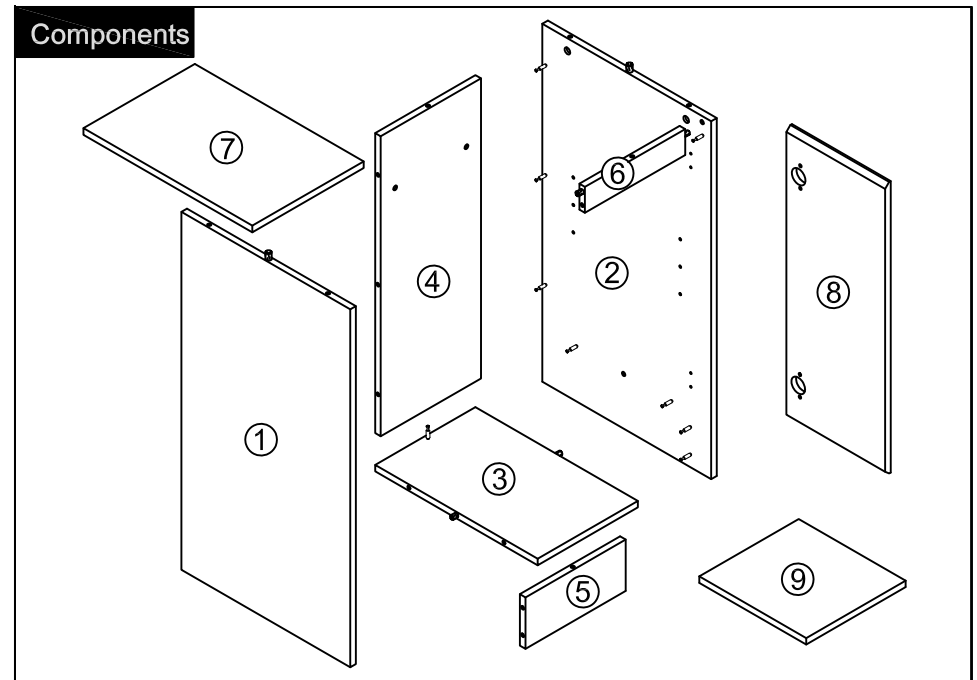
### Finished



### Dimensions



### Components



### Step 1

Attention: Cam lock arrow point to the steel rod.

Notes: Screw installation depth as shown

- B x1
- C x1
- K

### Step 2

first step    second step    third step

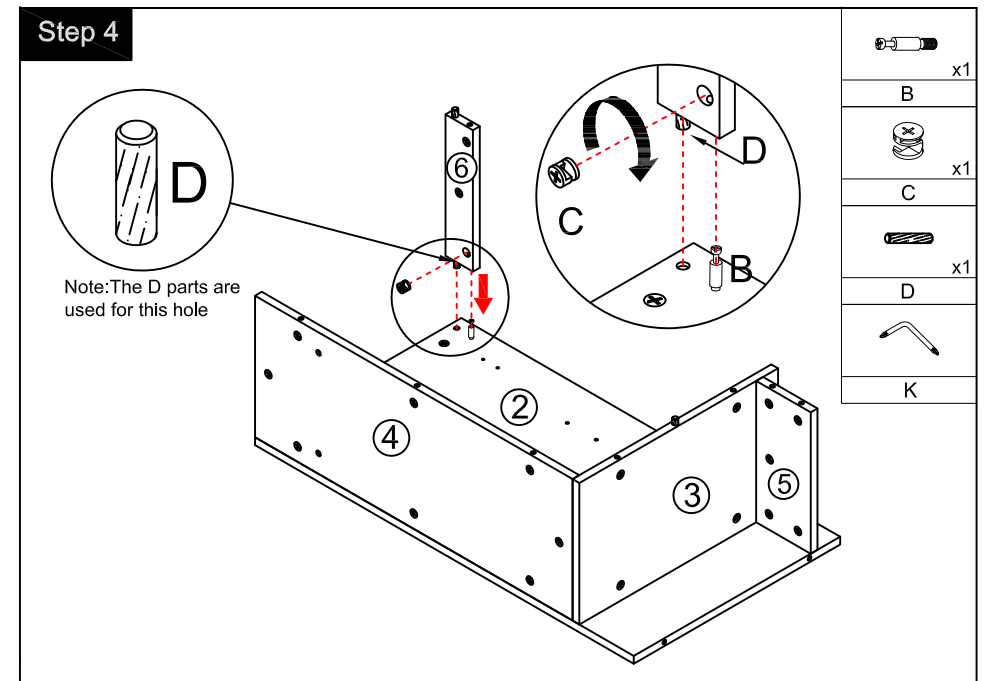
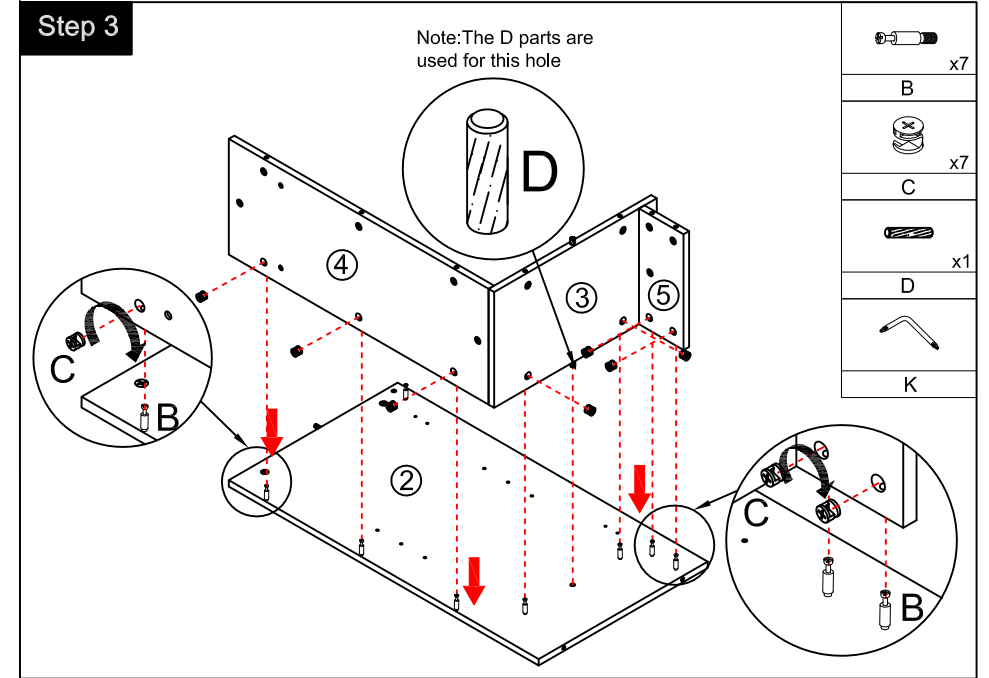
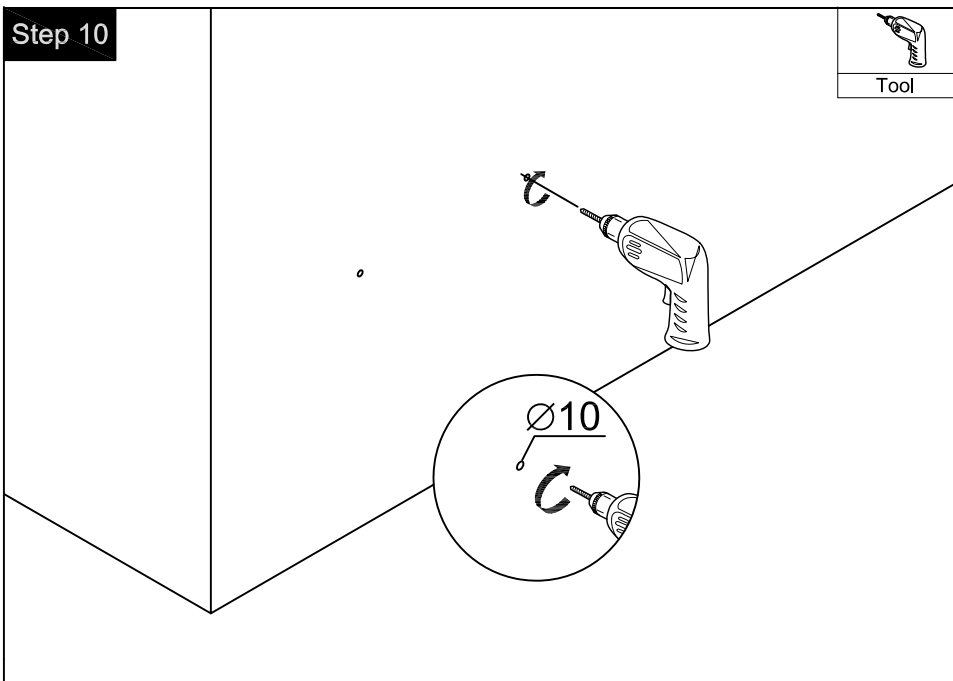
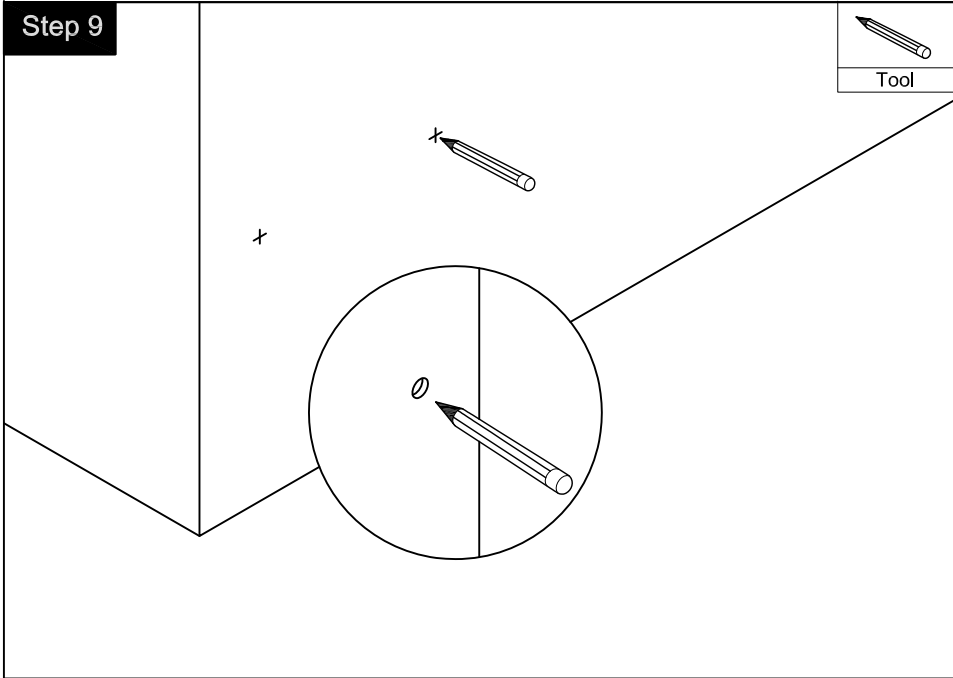
- B x1
- C x1
- K

### Step 11





- E x2
- Tool

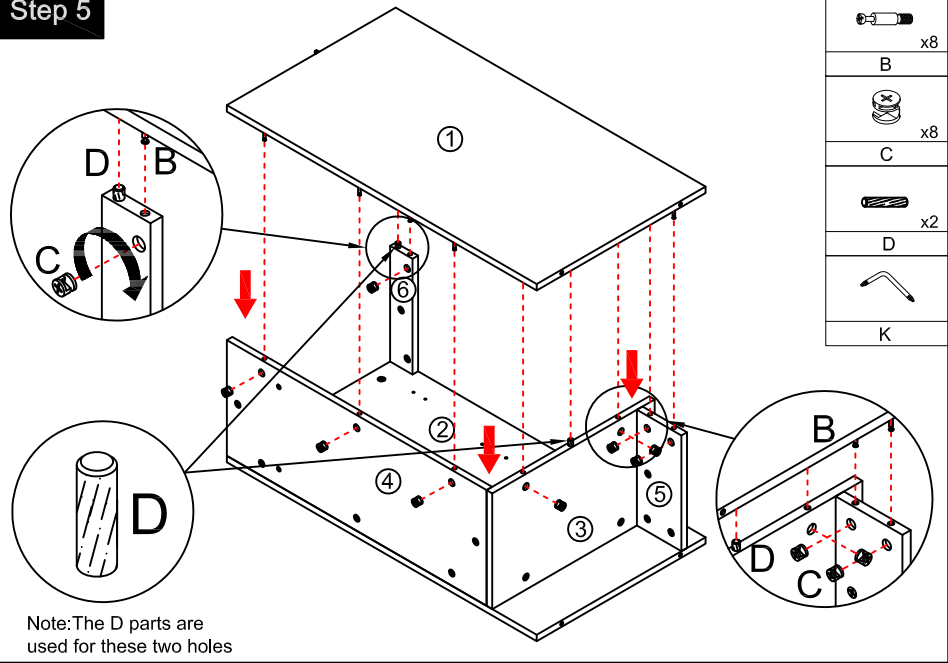
### Step 12

- F x2
- Tool







### Step 5

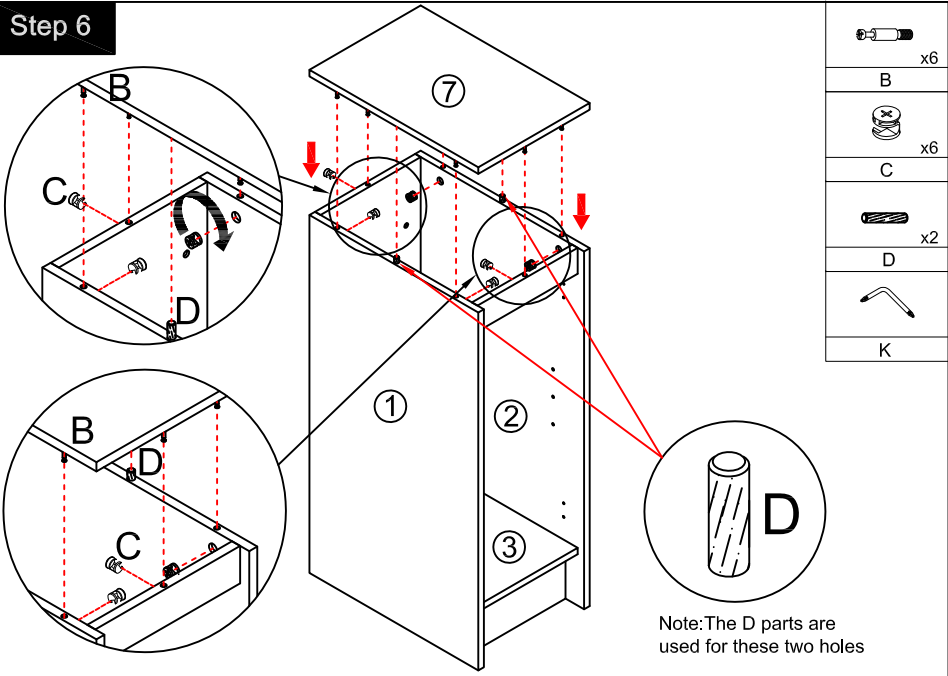
	x8
B	
	x8
C	
	x2
D	
	
K	



Note: The D parts are used for these two holes




### Step 6

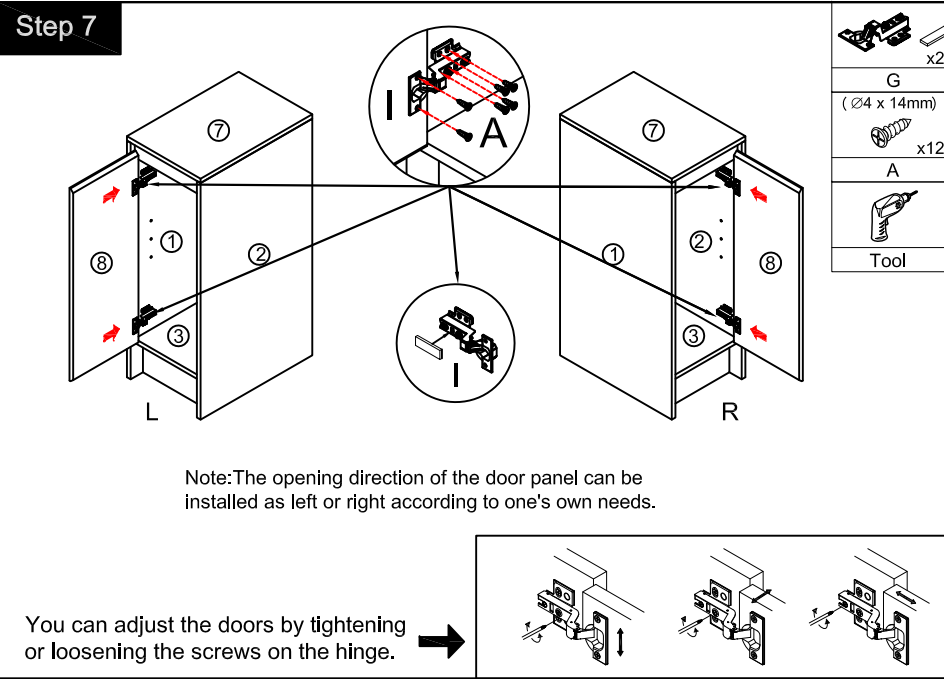
	x6
B	
	x6
C	
	x2
D	
	
K	



Note: The D parts are used for these two holes

### Step 7



	x2
G	
( $\varnothing 4 \times 14\text{mm}$ )	
	x12
A	
	
Tool	

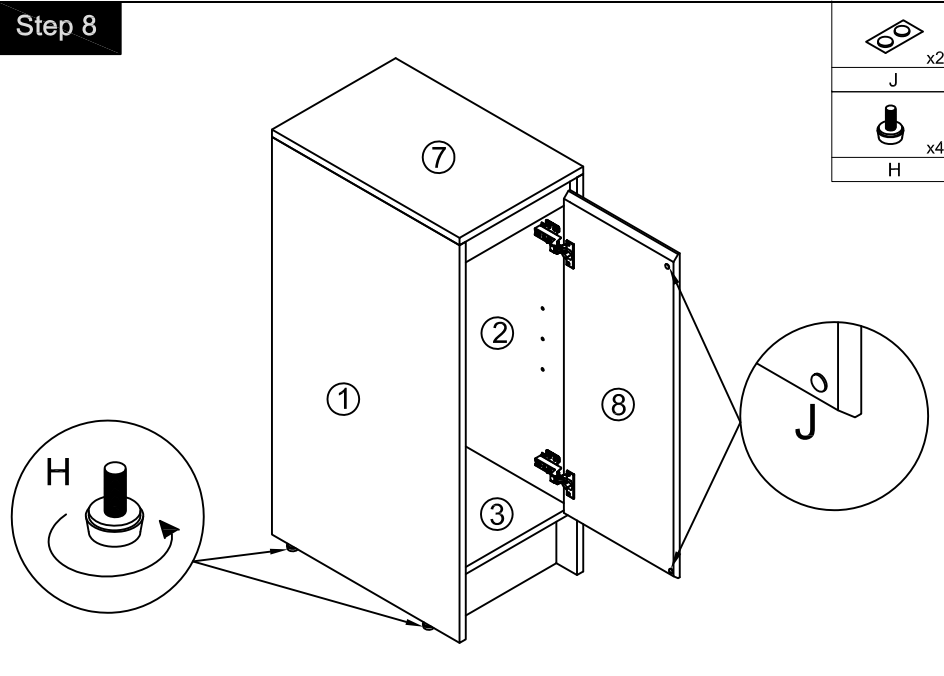


Note: The opening direction of the door panel can be installed as left or right according to one's own needs.

You can adjust the doors by tightening or loosening the screws on the hinge. →

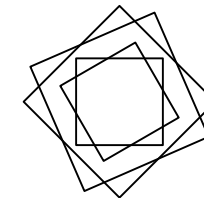
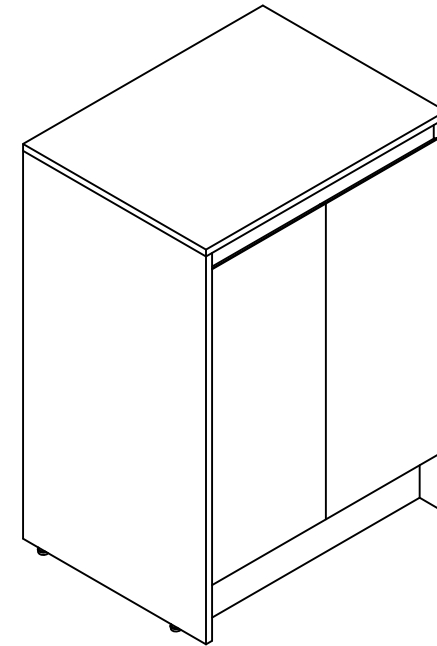
### Step 8

	x2
J	
	x4
H	



## THANKS FOR WATCHING

Your feedback is invaluable to us and we would love to hear about your experience. Please take the time to leave us a review.



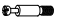







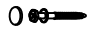


## Thank you for shopping with us!

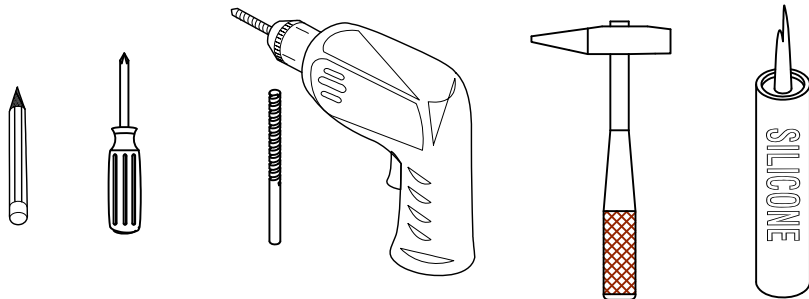
We encourage you to take a few minutes to go through this booklet. It contains important information on installation and care tips to keep your furniture looking as good as new.

# Item NO.:BV B120 E24A

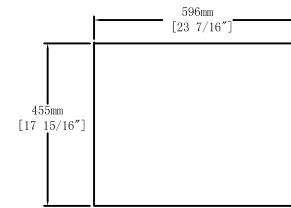
## Hardware

NO.	Draw	QTY	NO.	Draw	QTY
A	 Screws Ø4x14mm	24	G	 Hinges(Internal hiding )	4
B	 Two-in-one connector	32	H	 Adjustable feet	4
C	 Two-in-one connector	32	I	 Movable laminate support	4
D	 Wood plug	6	J	 Anti-collision gasket	4
E	 Plastic anchor(Ø10mm)	2	K	 Screwdriver	1
F	 Screws for fix on the wall	2			

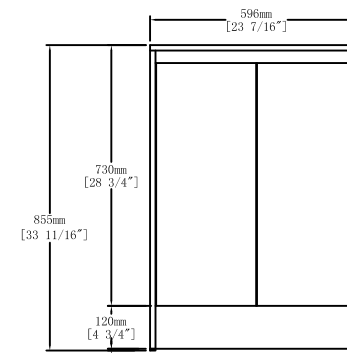
## Recommended tools



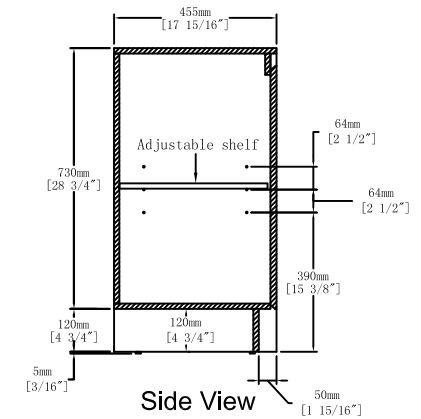
## Dimensions



Top View



Front View

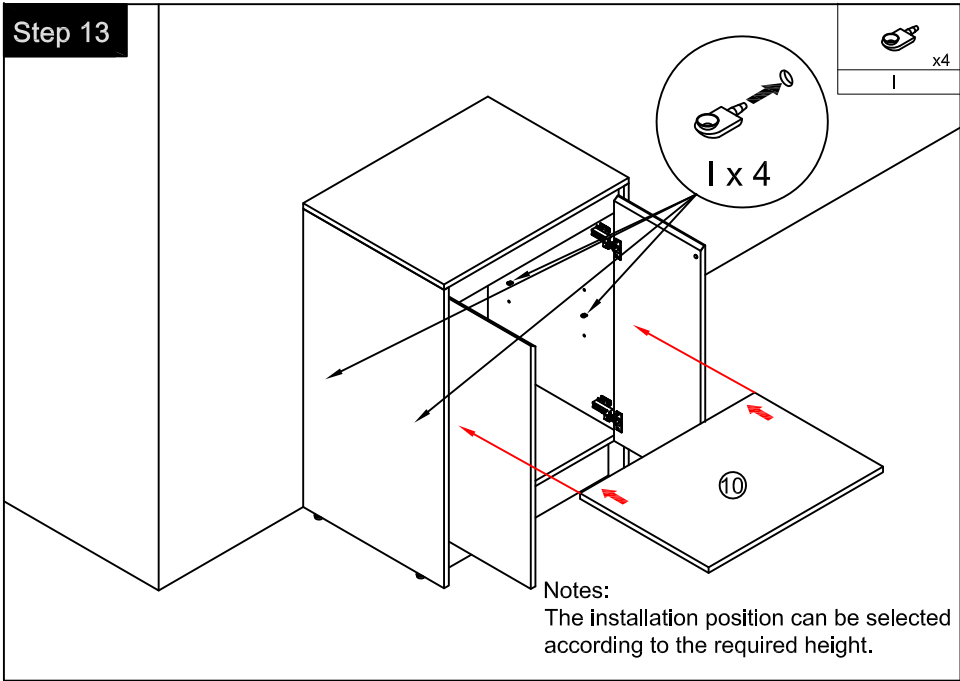


Side View

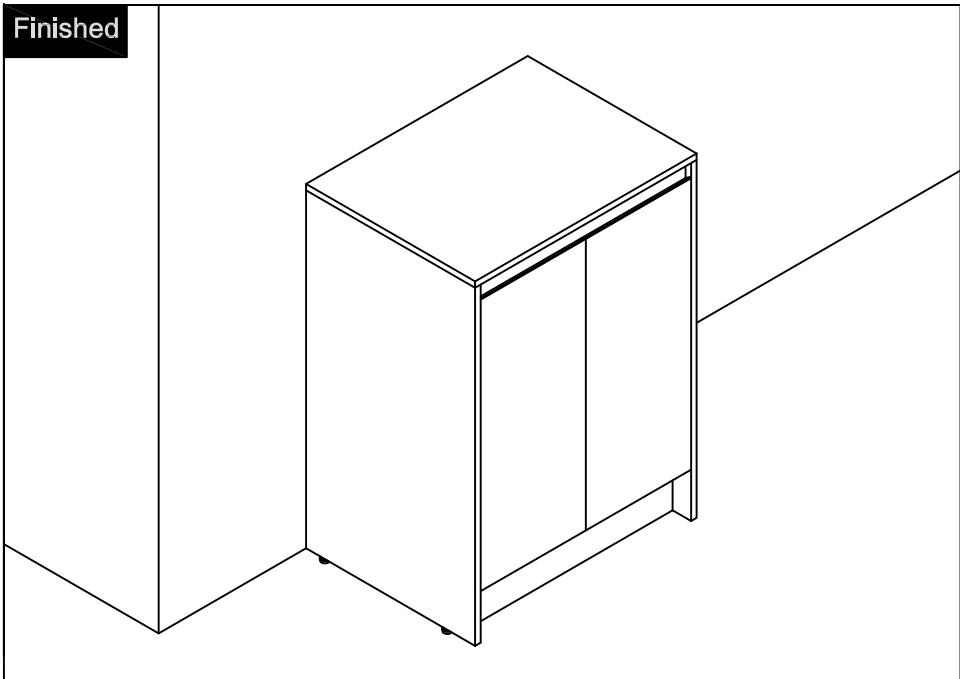
## CARE CLEANING AND MAINTENANCE

1. Dust regularly with a soft , dry cloth.
2. Avoid the use of all chemicals household cleaners, abrasives, or cleaners that contain lemon, vinegar, or other acids that may damage the finish.
3. Excessive exposure to sunlight and extreme changes in temperature and moisture can damage wood furniture.
4. Do not place hot appliances, such as curling irons and hot hair dryers directly on the countertop. Wipe spills immediately.

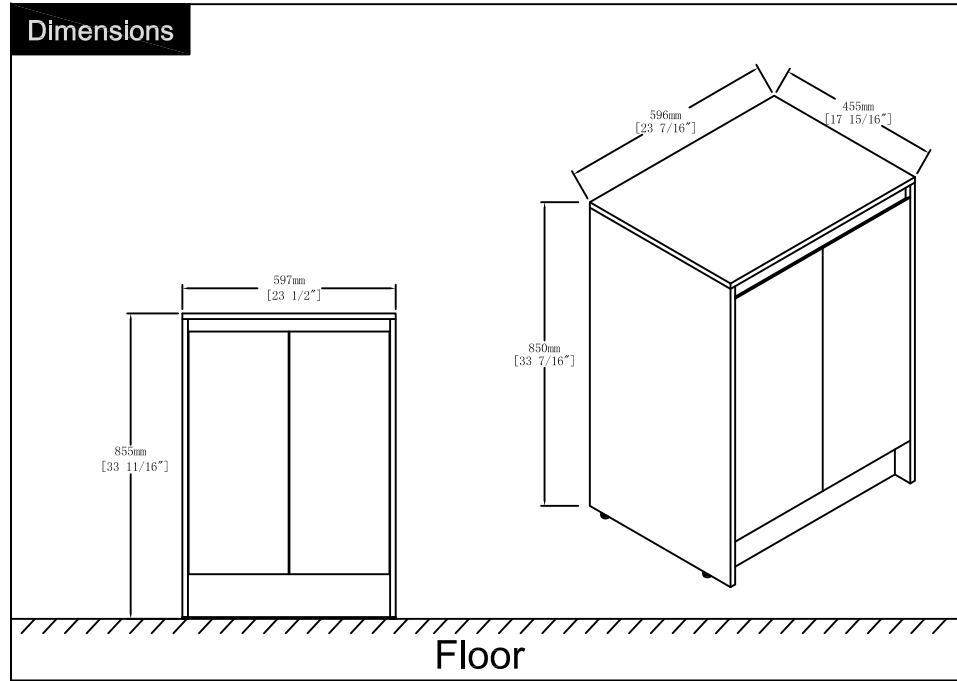
### Step 13



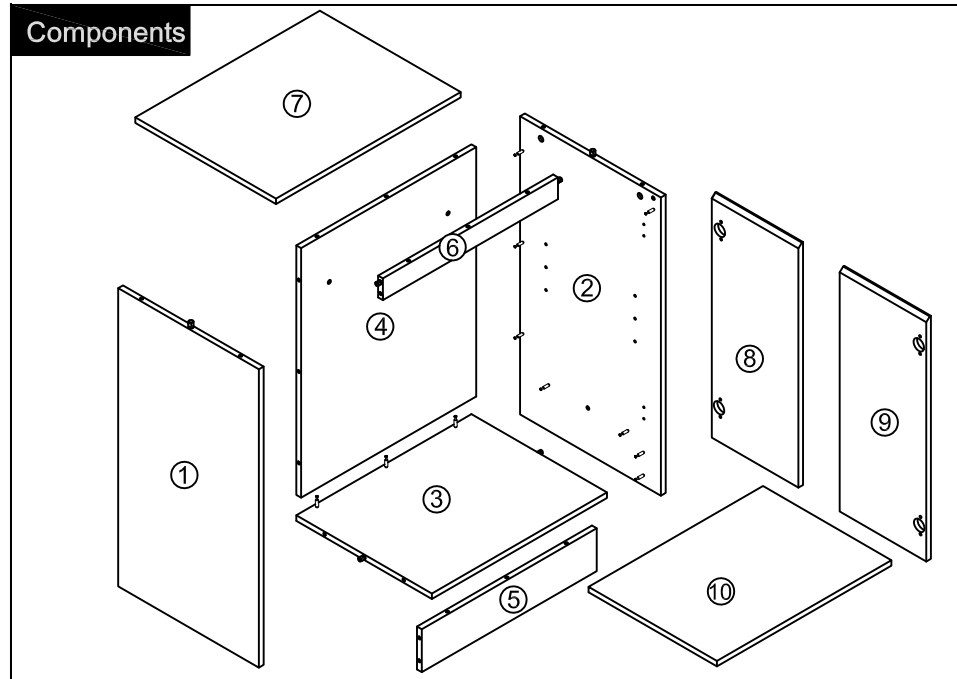
### Finished

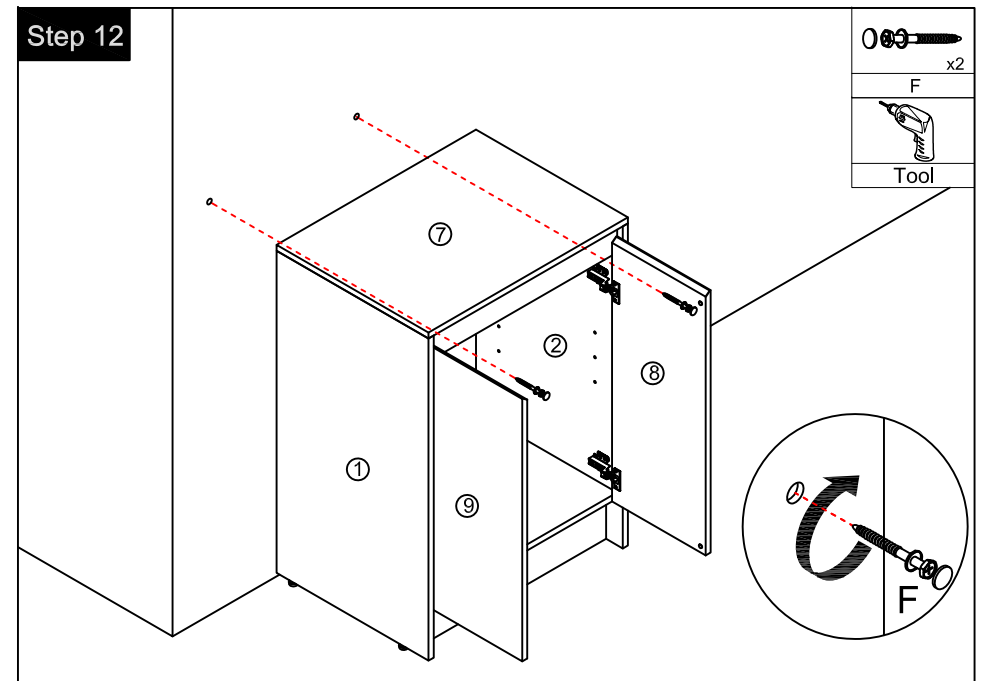
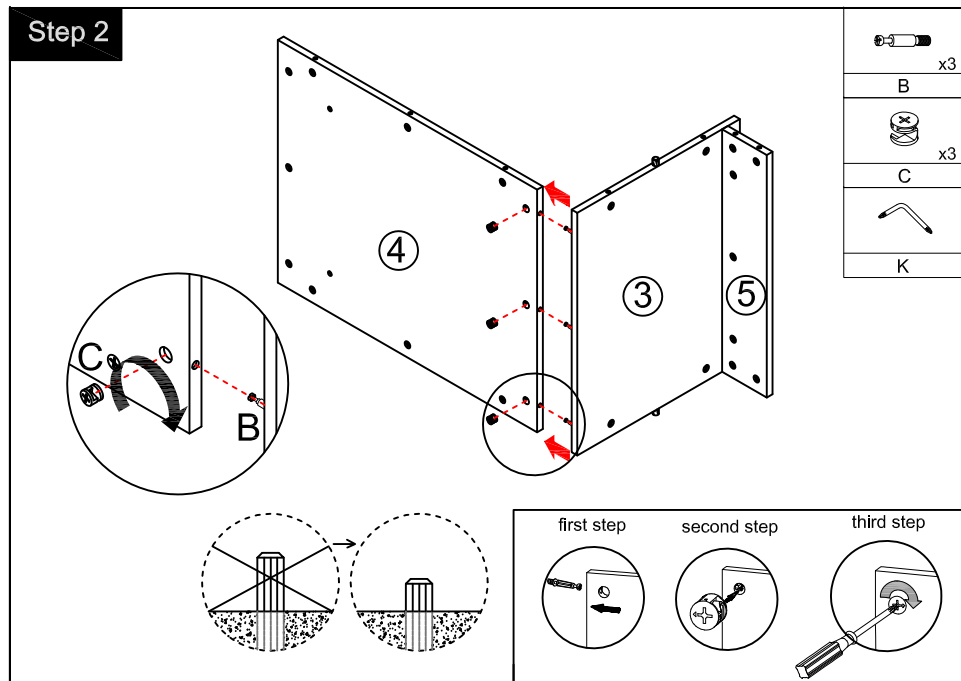
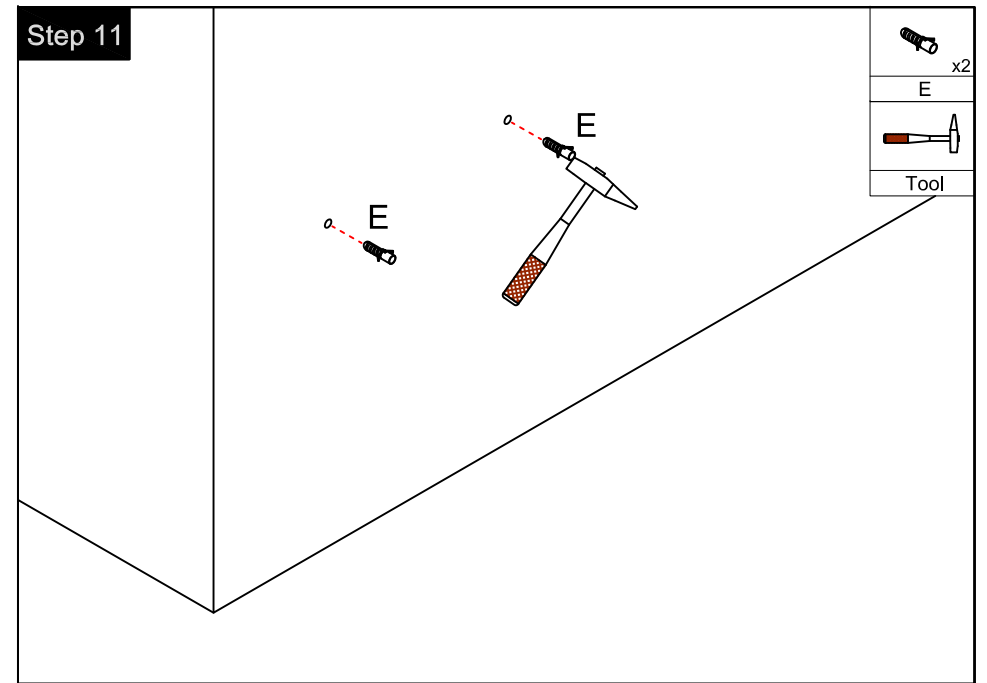
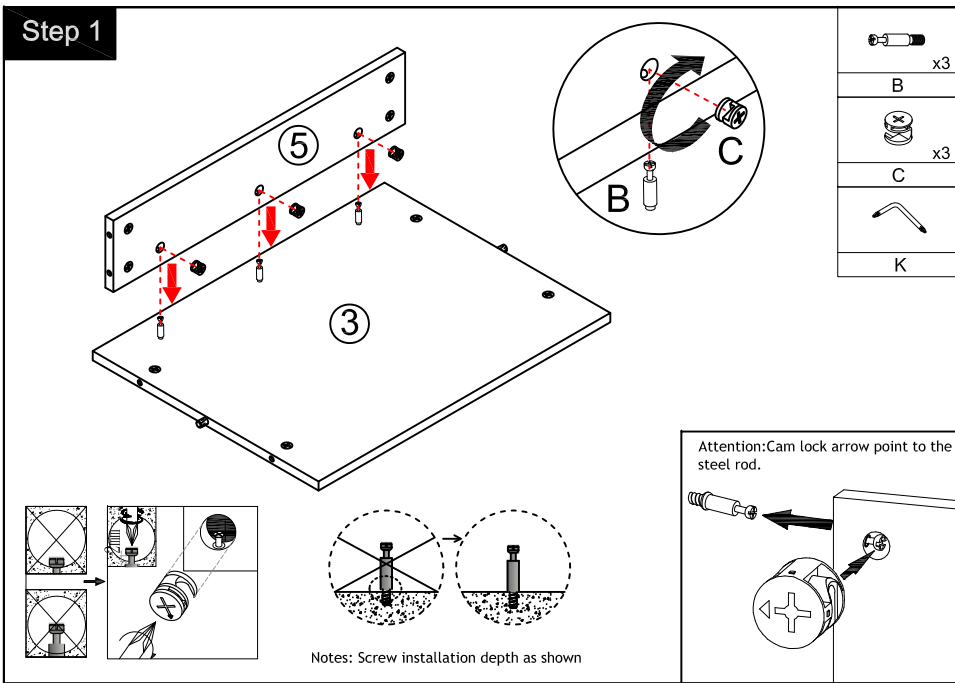


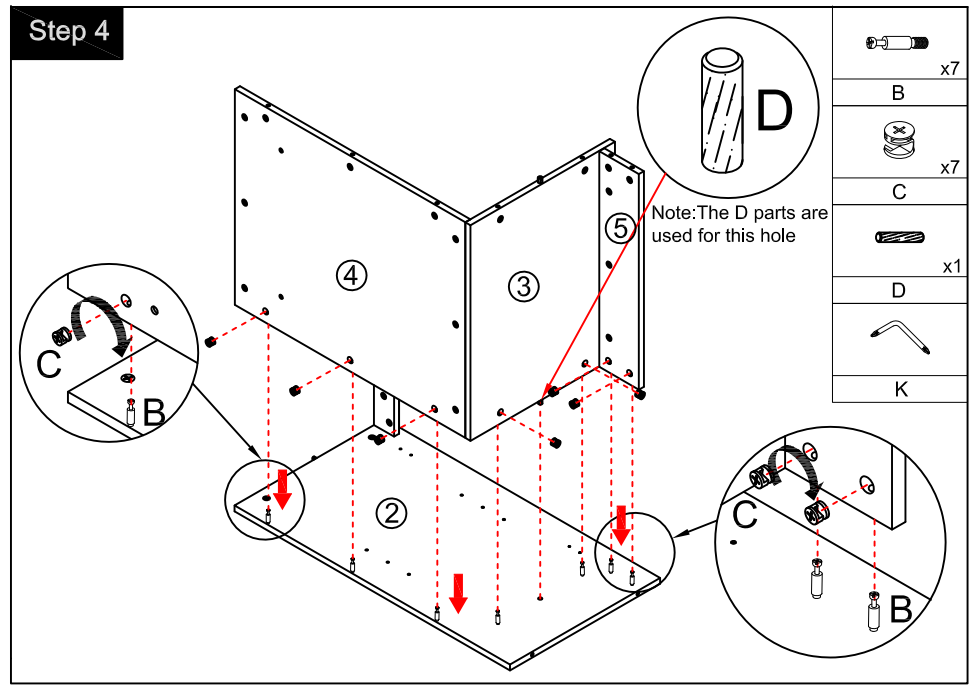
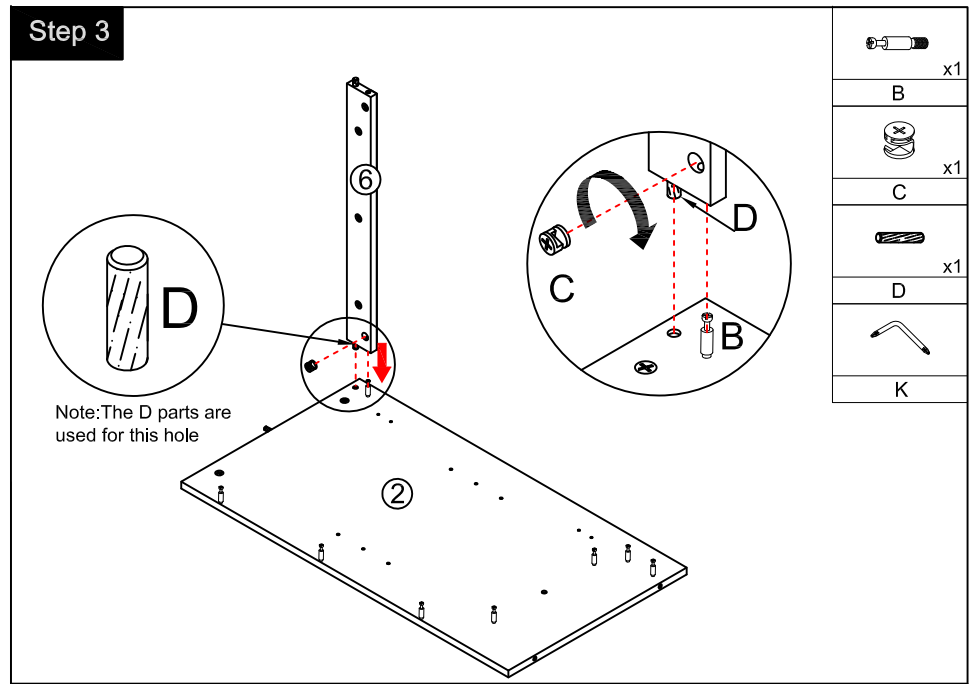
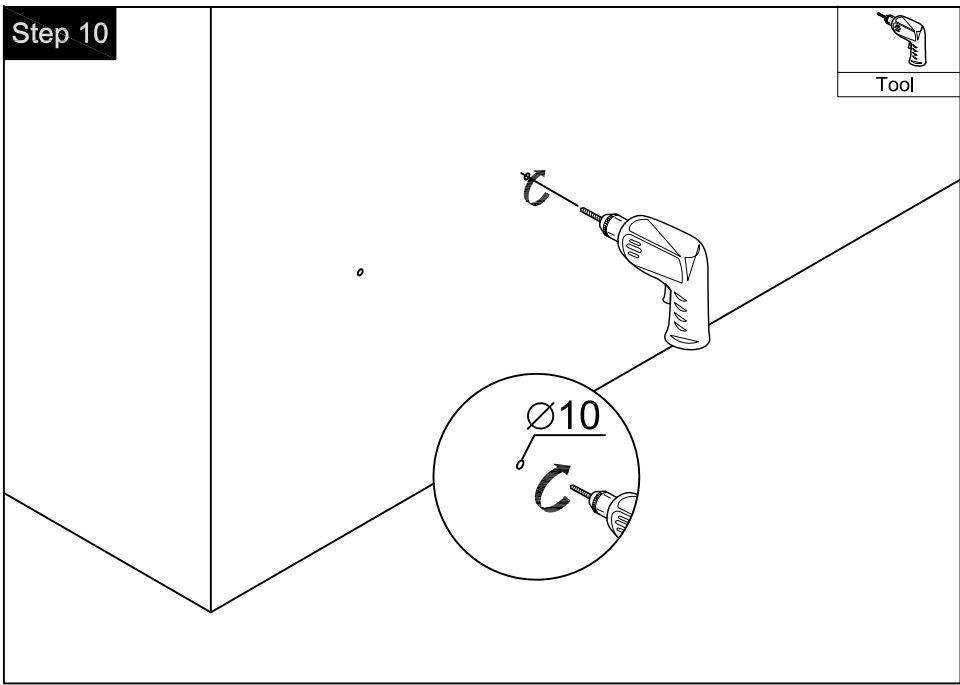
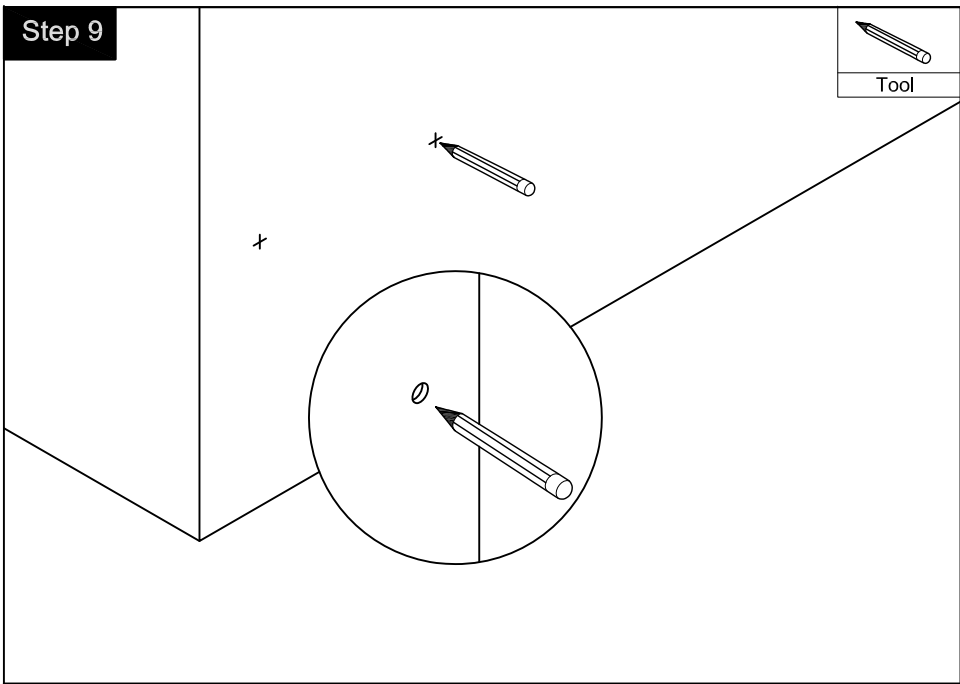
### Dimensions



### Components







### Step 5

	x8
B	
	x8
C	
	x2
D	
K	

Note: The D parts are used for these two holes

### Step 6

	x10
B	
	x10
C	
	x2
D	
K	

Note: The D parts are used for these two holes

### Step 7

	x4
G	
(Ø4 x 14mm)	
	x24
A	
Tool	

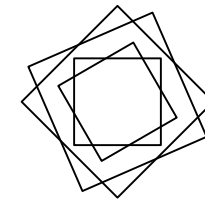
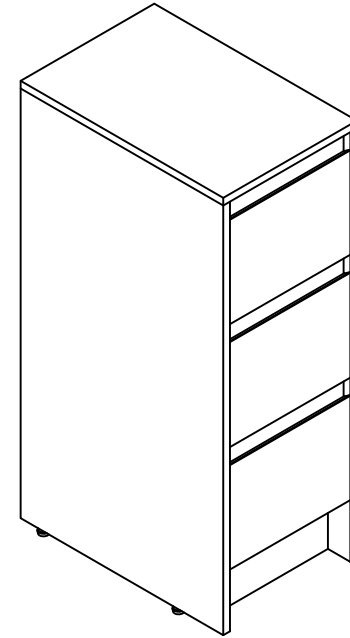
You can adjust the doors by tightening or loosening the screws on the hinge. →

### Step 8

	x4
J	
	x4
H	

## THANKS FOR WATCHING

Your feedback is invaluable to us and we would love to hear about your experience. Please take the time to leave us a review.

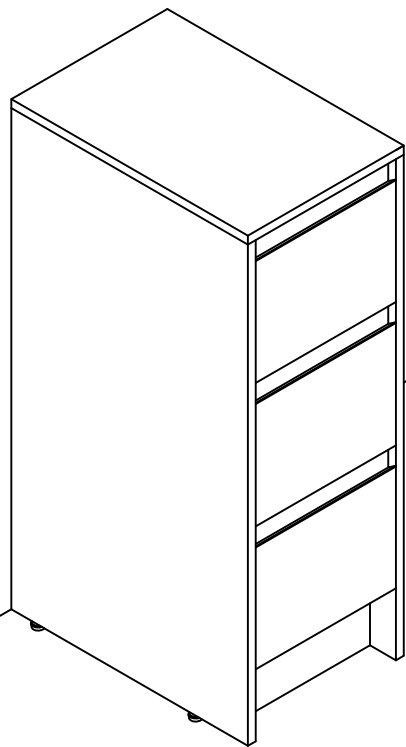


## Thank you for shopping with us!

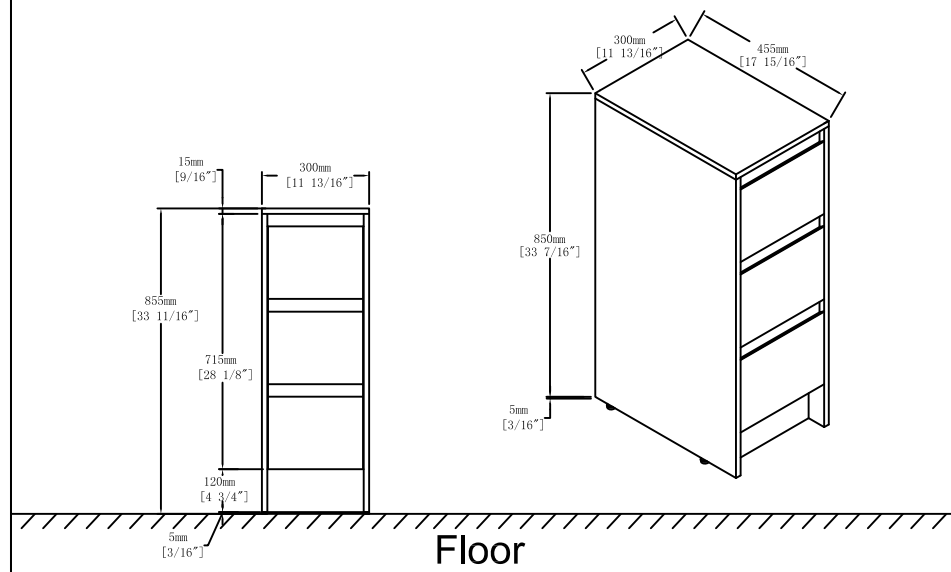
We encourage you to take a few minutes to go through this booklet. It contains important information on installation and care tips to keep your furniture looking as good as new.



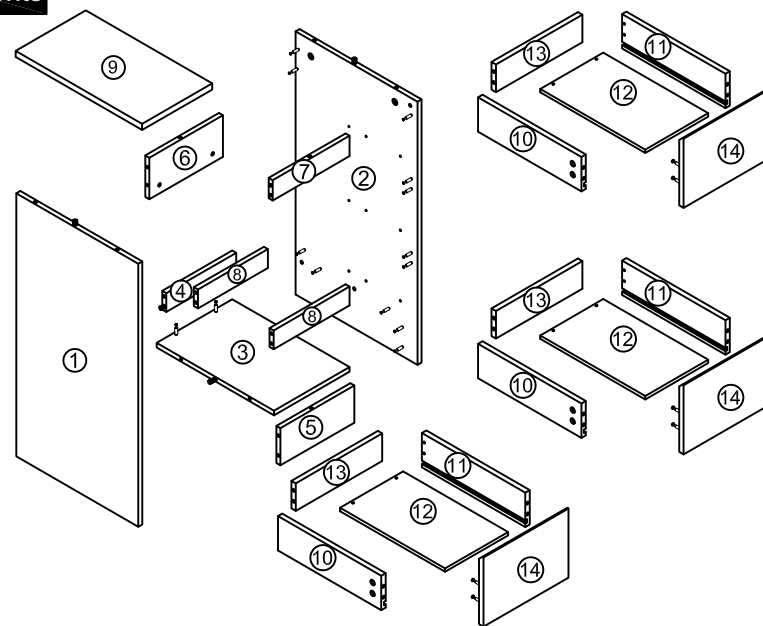
# Finished



# Dimensions



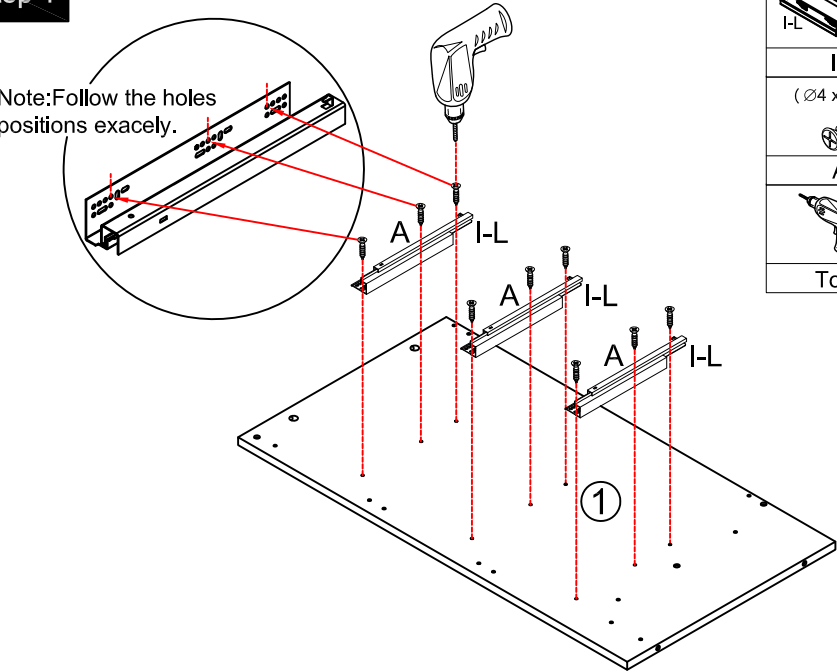
# Components



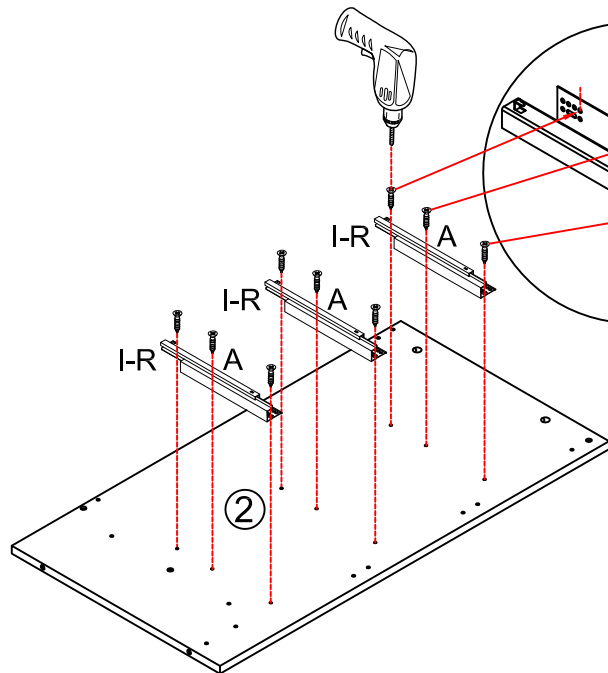
# Step 1

Note: Follow the holes positions exactly.

- I-R x3
- I-L x3
- (∅4 x 14mm)
- A x18
- Tool

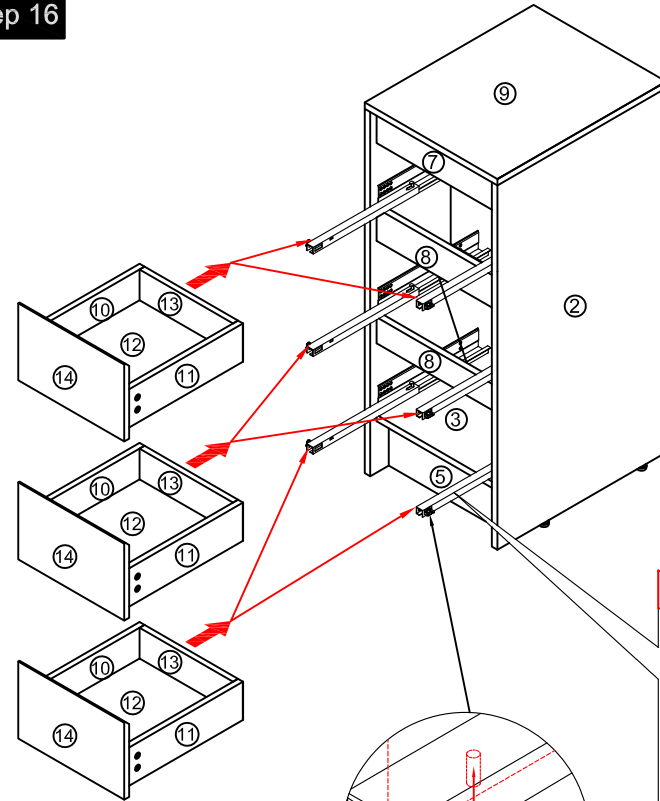


Note: Follow the holes positions exactly.

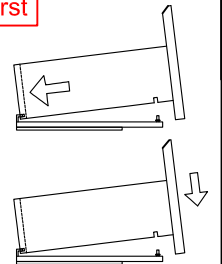


# Step 16

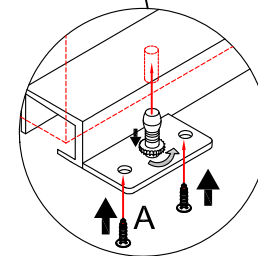
- (∅4 x 14mm)
- A x12
- Tool



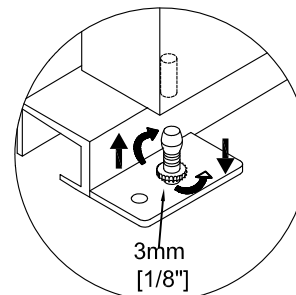
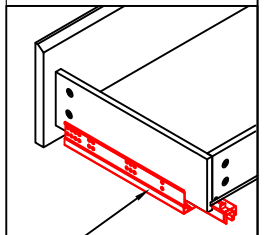
First



Third step: The bottom of the rail is fixed with screw A.

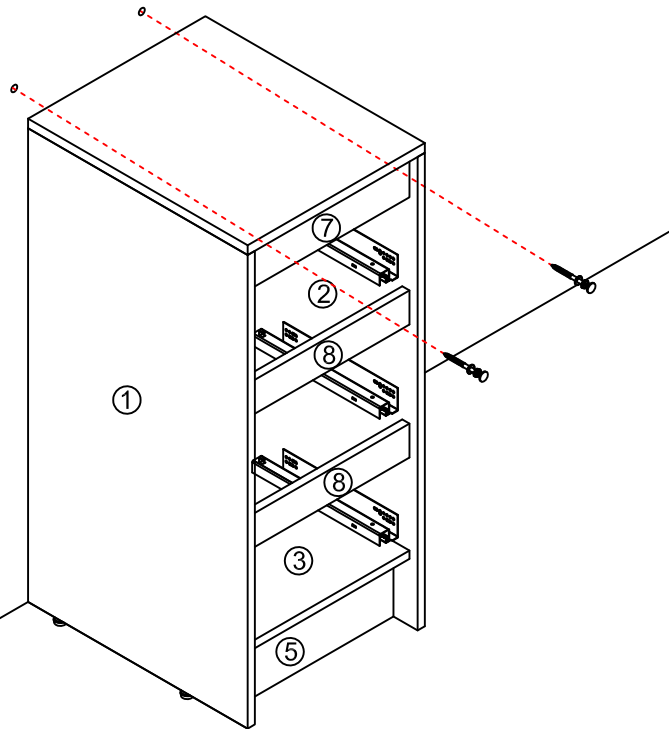
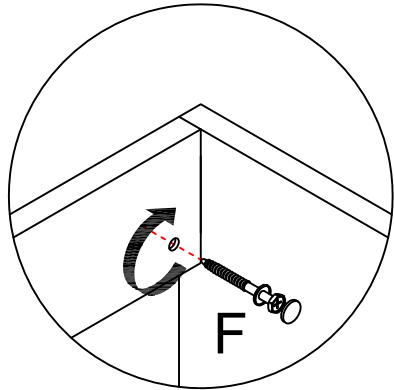
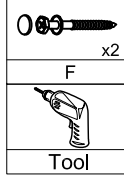


Second step: Tuck the rear holes.

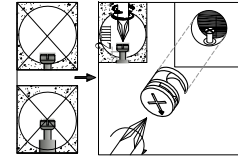
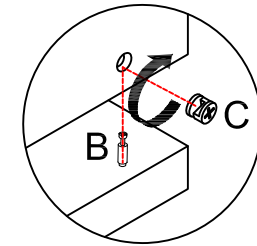
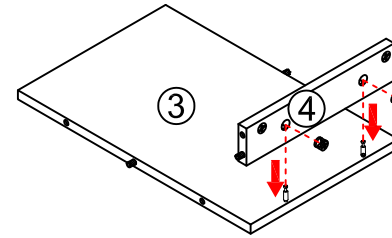
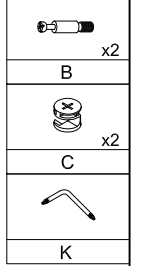


Note: The rails adjust their height 3mm.

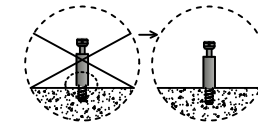
### Step 15



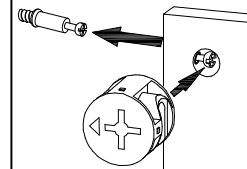
### Step 2



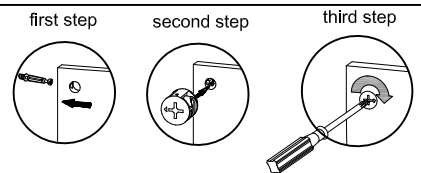
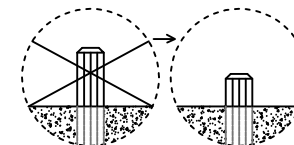
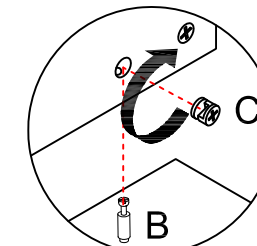
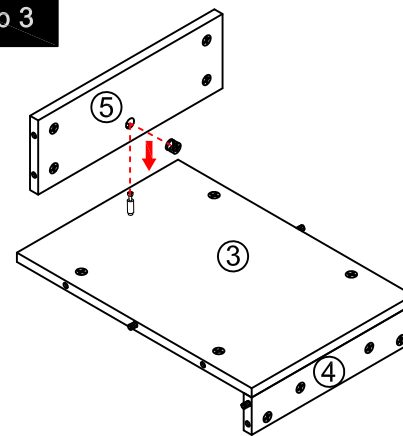
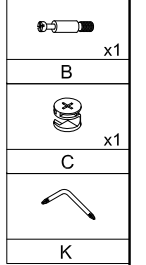
Notes: Screw installation depth as shown



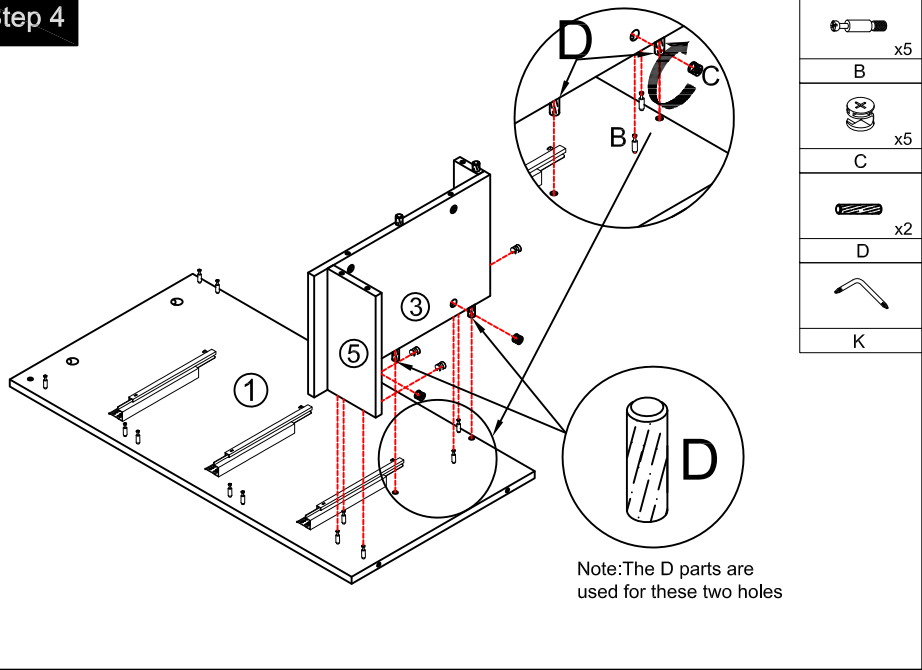
Attention: Cam lock arrow point to the steel rod.



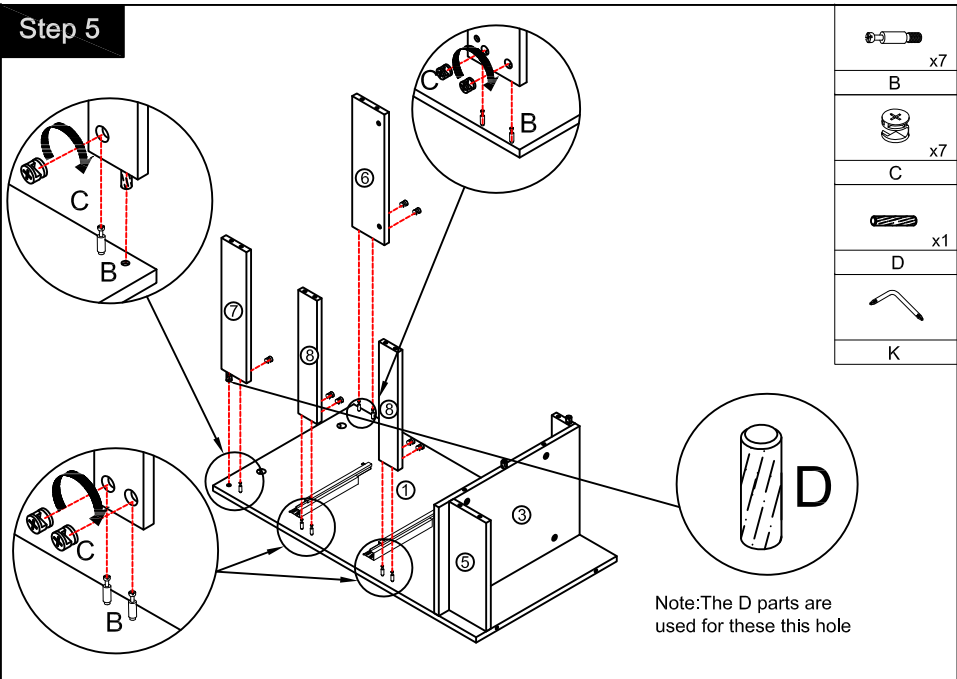
### Step 3



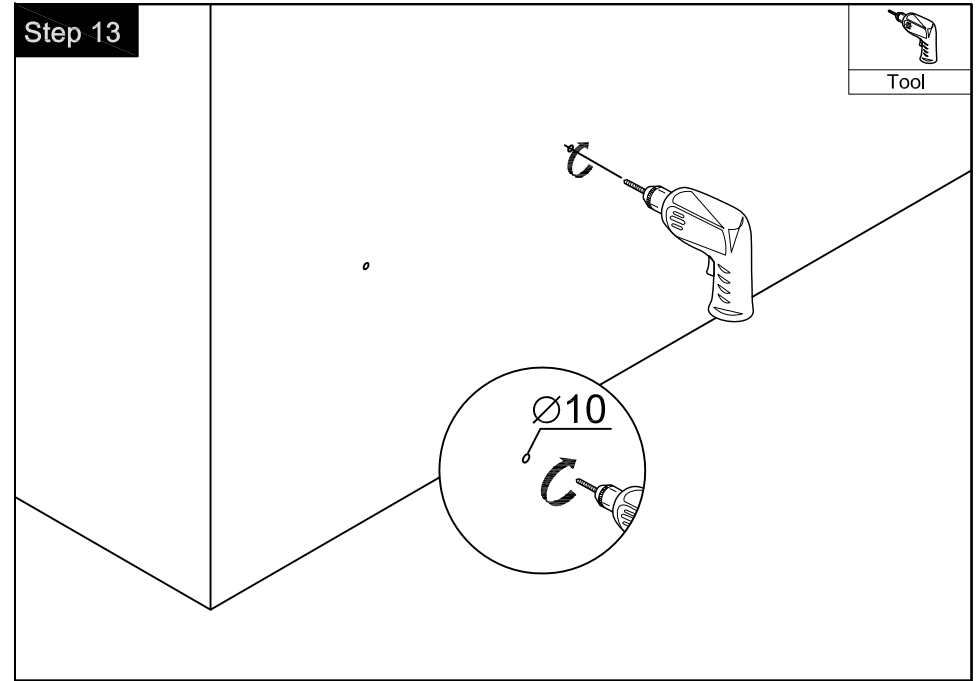
Step 4



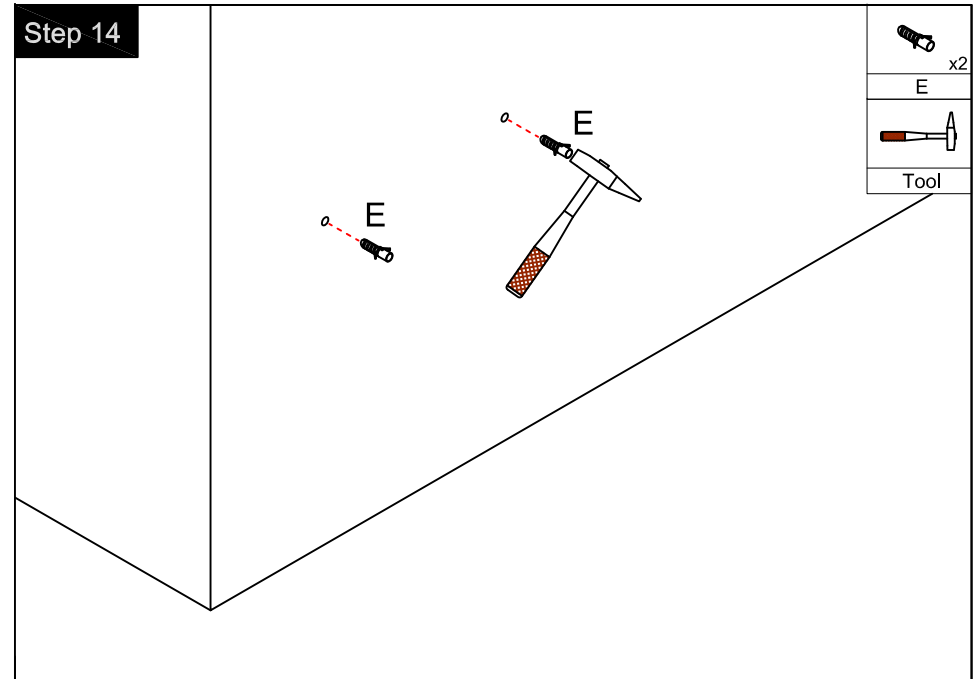
Step 5



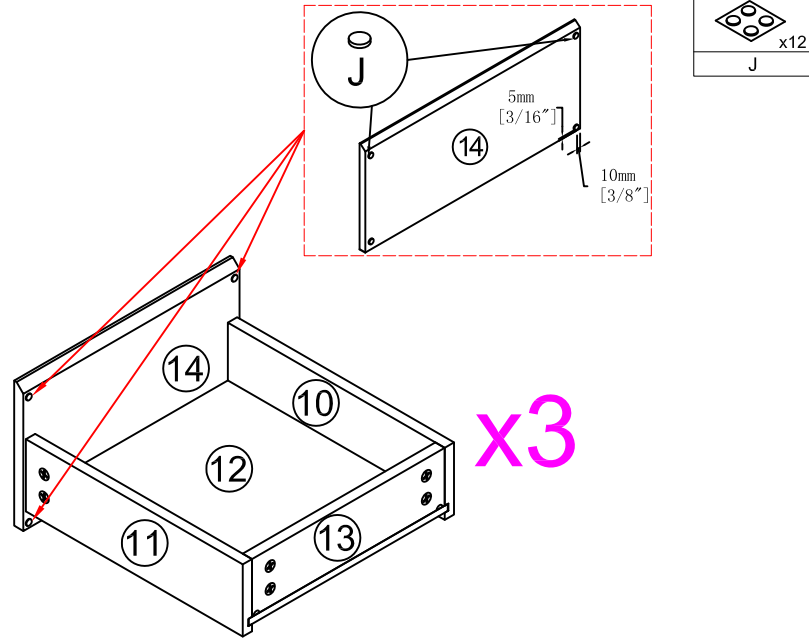
Step 13



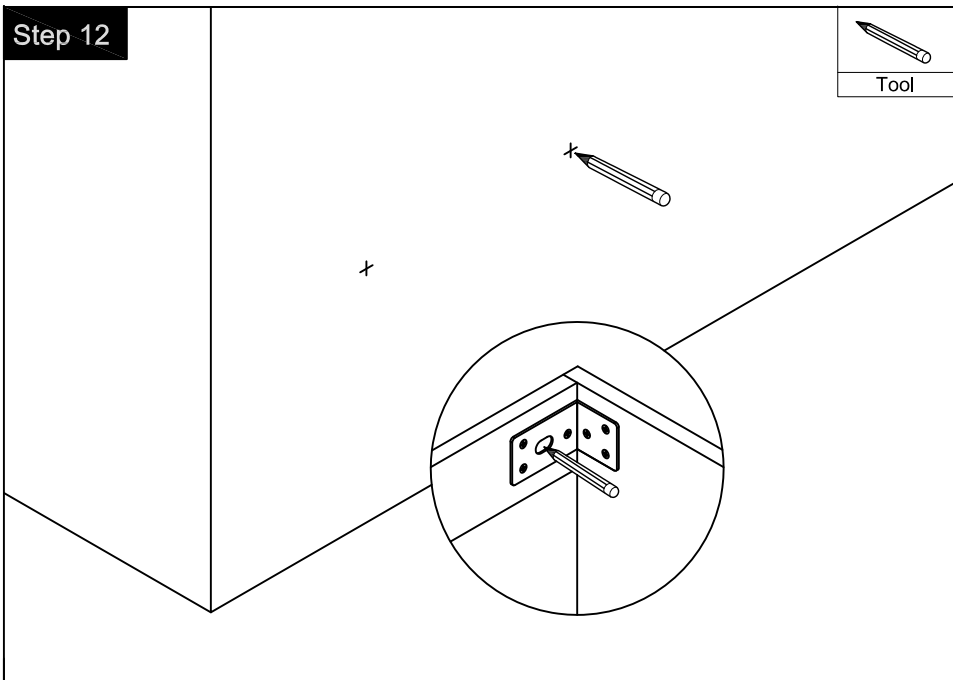
Step 14



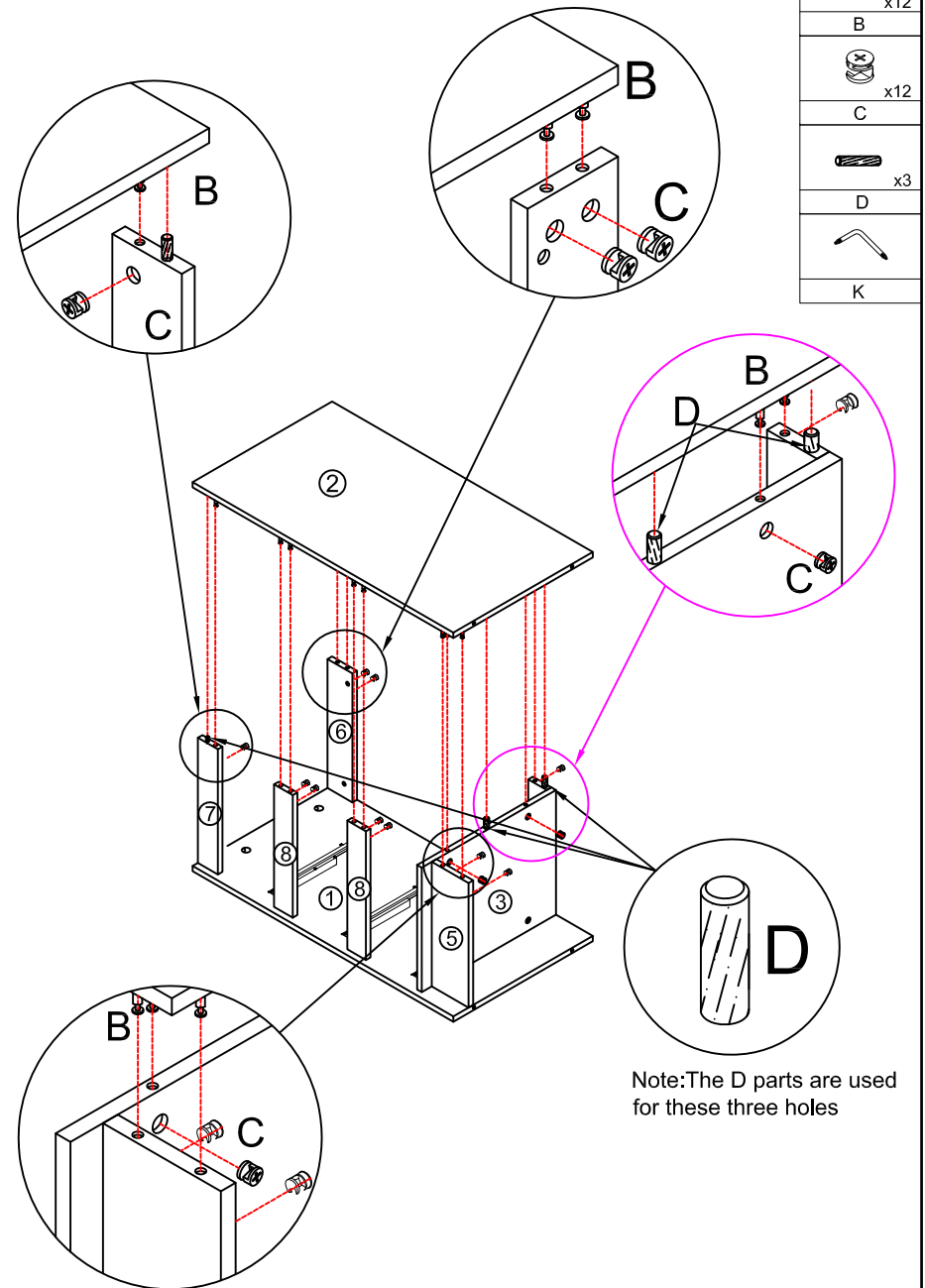
Step 11

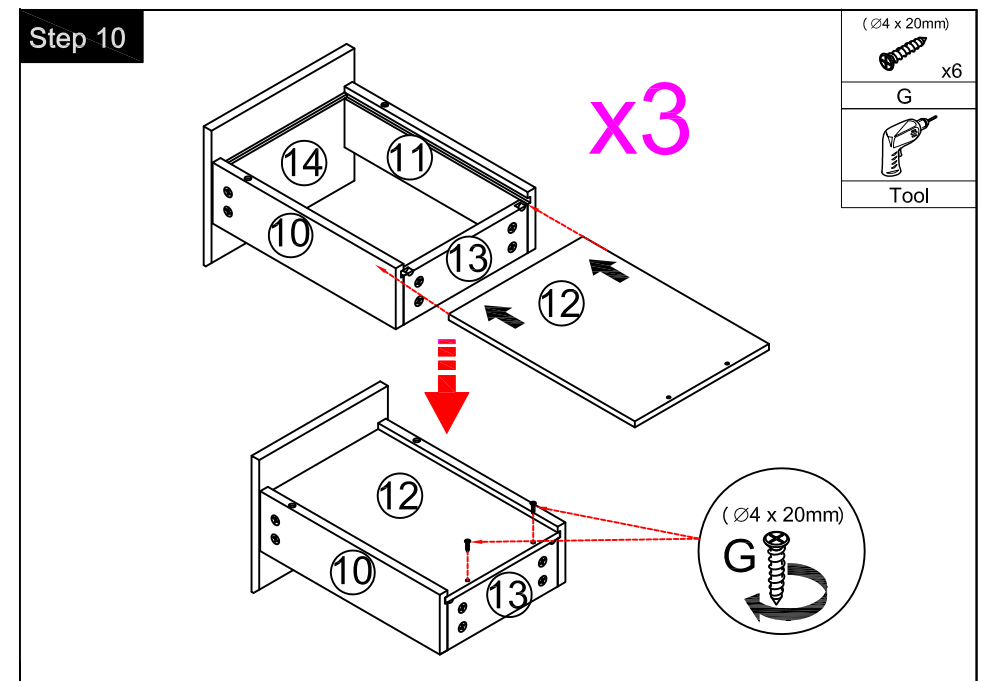
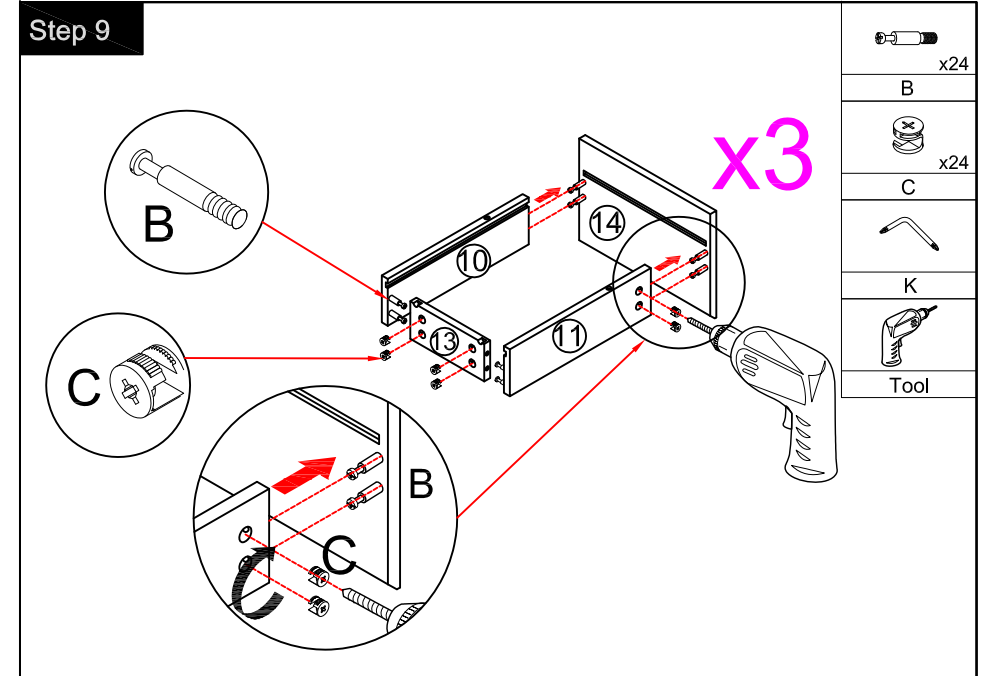
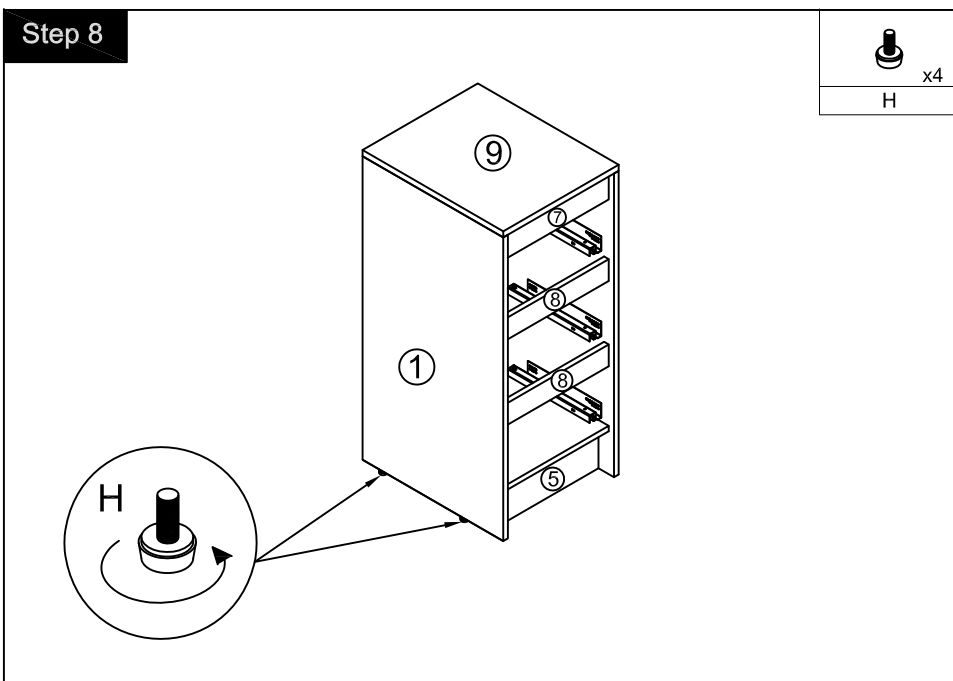
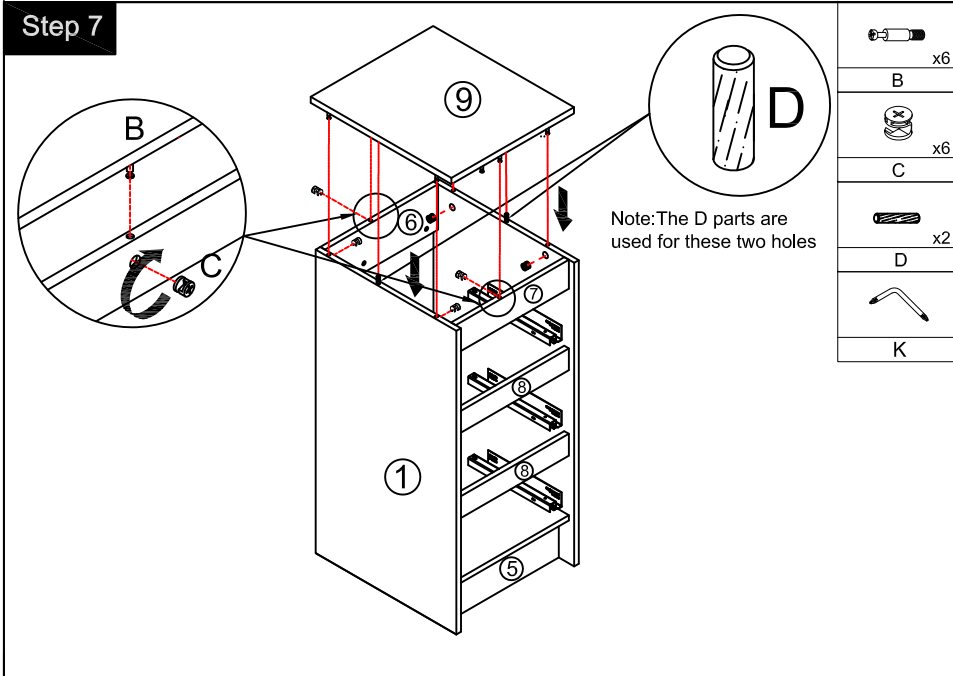


Step 12



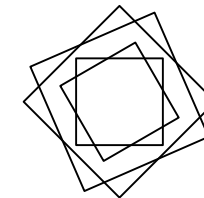
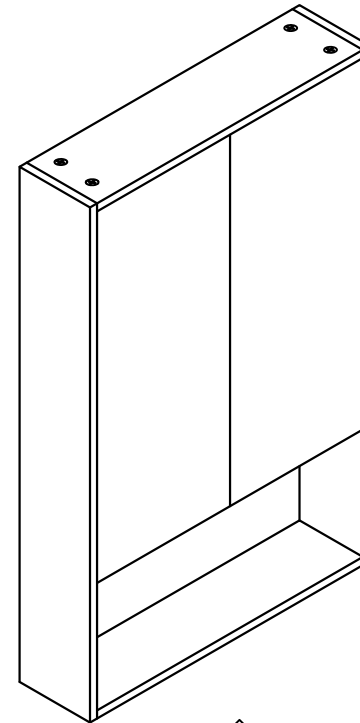
Step 6





## THANKS FOR WATCHING

Your feedback is invaluable to us and we would love to hear about your experience. Please take the time to leave us a review.



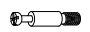


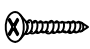








## Thank you for shopping with us!

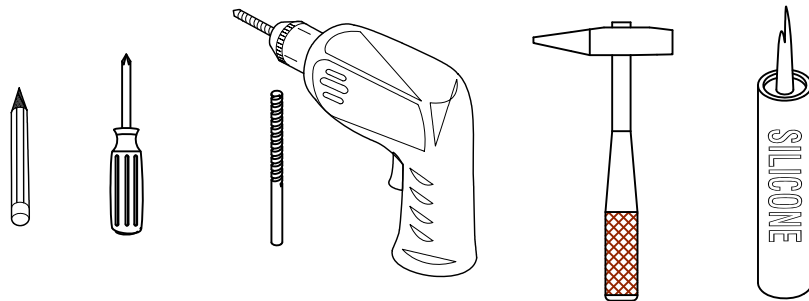
We encourage you to take a few minutes to go through this booklet. It contains important information on installation and care tips to keep your furniture looking as good as new.

# Item NO.:BV B120 B24A

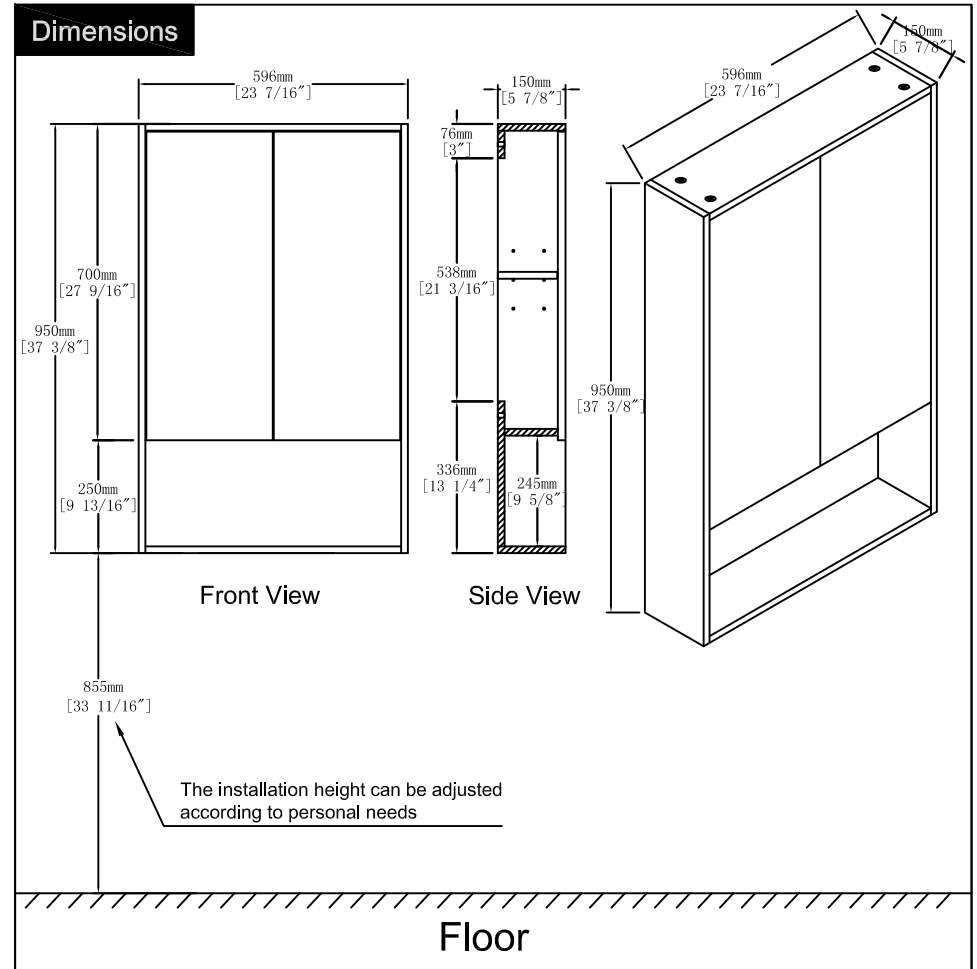
## Hardware

NO.	Draw	QTY	NO.	Draw	QTY
A	 Screws Ø4 x 14 mm	24	G	 Screws for fix on the wall	4
B	 Two-in-one connector	24	H	 Wall hanging screw decorative cover	4
C	 Two-in-one connector	24	I	 Screws Ø4 x 25 mm	3
D	 Wood plug	2	J	 Anti-collision gasket	2
E	 Plastic anchor(Ø10mm)	4	K	 Movable laminate support	4
F	 Hinges ( Internal hiding )	4	L	 Screwdriver	1

## Recommended tools



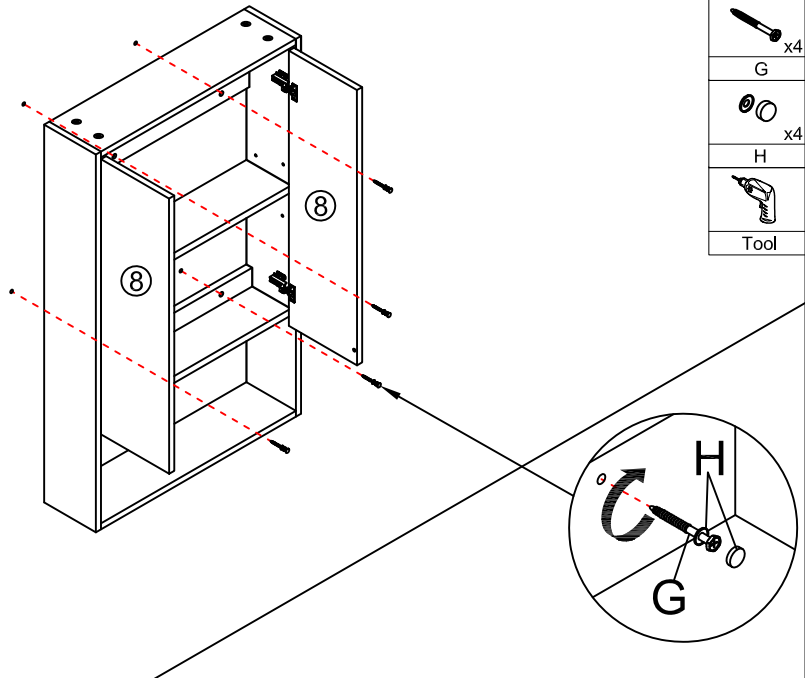
## Dimensions






## CARE CLEANING AND MAINTENANCE

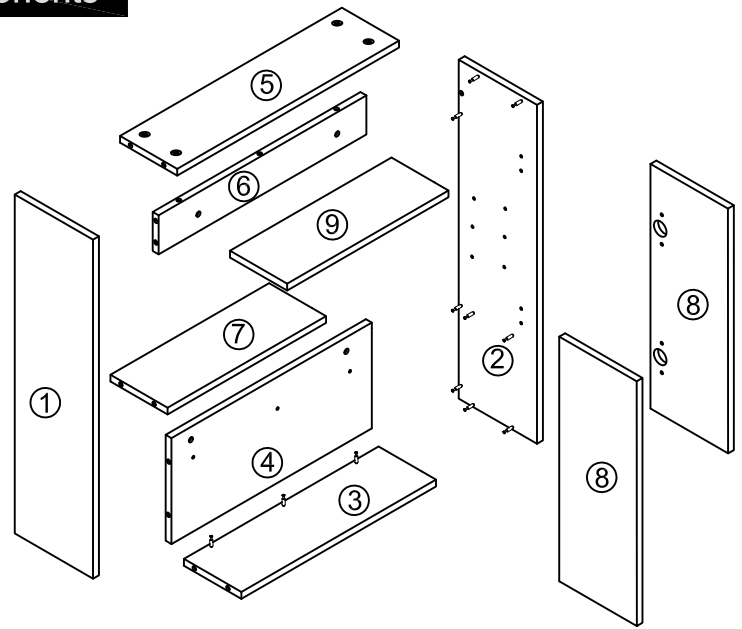
1. Dust regularly with a soft , dry cloth.
2. Avoid the use of all chemicals household cleaners, abrasives, or cleaners that contain lemon, vinegar, or other acids that may damage the finish.
3. Excessive exposure to sunlight and extreme changes in temperature and moisture can damage wood furniture.
4. Do not place hot appliances, such as curling irons and hot hair dryers directly on the countertop. Wipe spills immediately.

**Step 7**

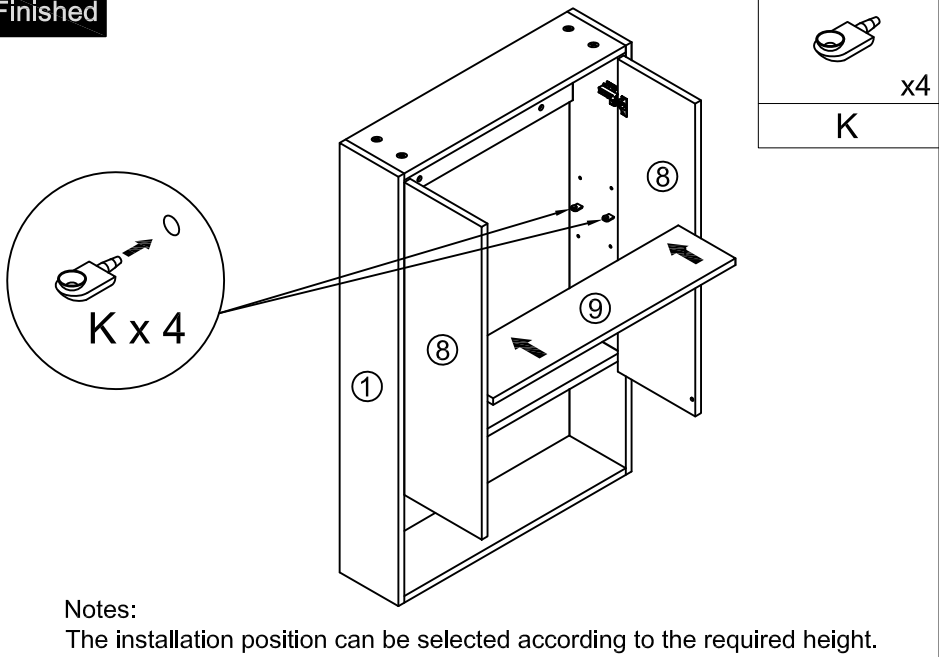



-  x4
- G
-  x4
- H
-  Tool

**Components**



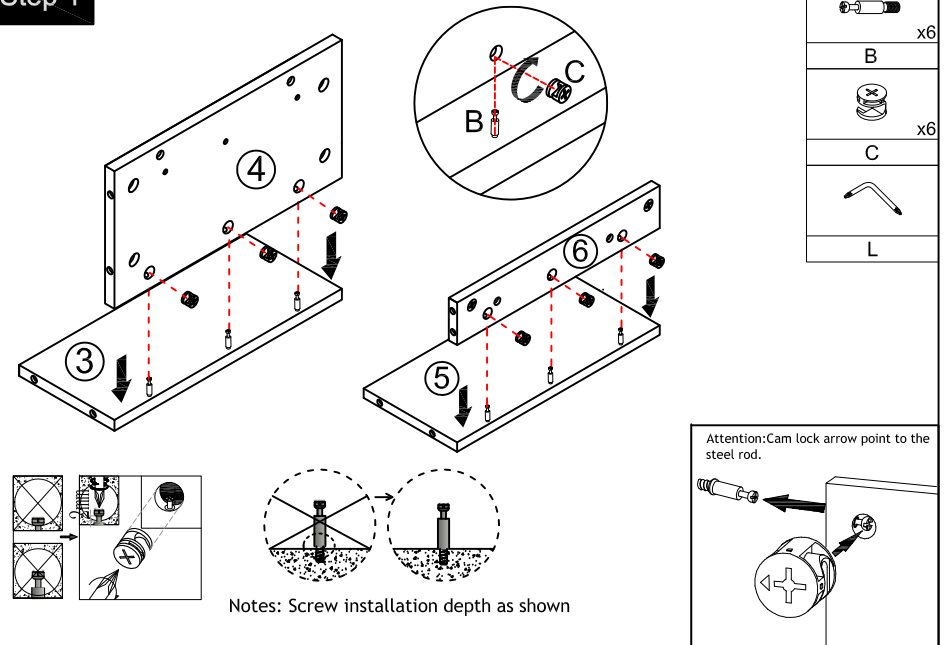
**Finished**

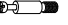

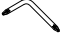


-  x4
- K

Notes:  
The installation position can be selected according to the required height.

**Step 1**



-  x6
- B
-  x6
- C
-  L

Notes: Screw installation depth as shown

Attention: Cam lock arrow point to the steel rod.

### Step 2

Note: The D parts are used for these this hole

	x9
	x9
	x1

### Step 4

Note: The D parts are used for these this hole

$\text{\O}4 \times 14\text{mm}$	
	x24
	x4
	x2
Tool	

You can adjust the doors by tightening or loosening the screws on the hinge. →

### Step 3

Note: The D parts are used for these this hole

	x9
	x9
	x1
	x3
Tool	

### Step 5

$\text{\O}10$

### Step 6

	x4
Tool	