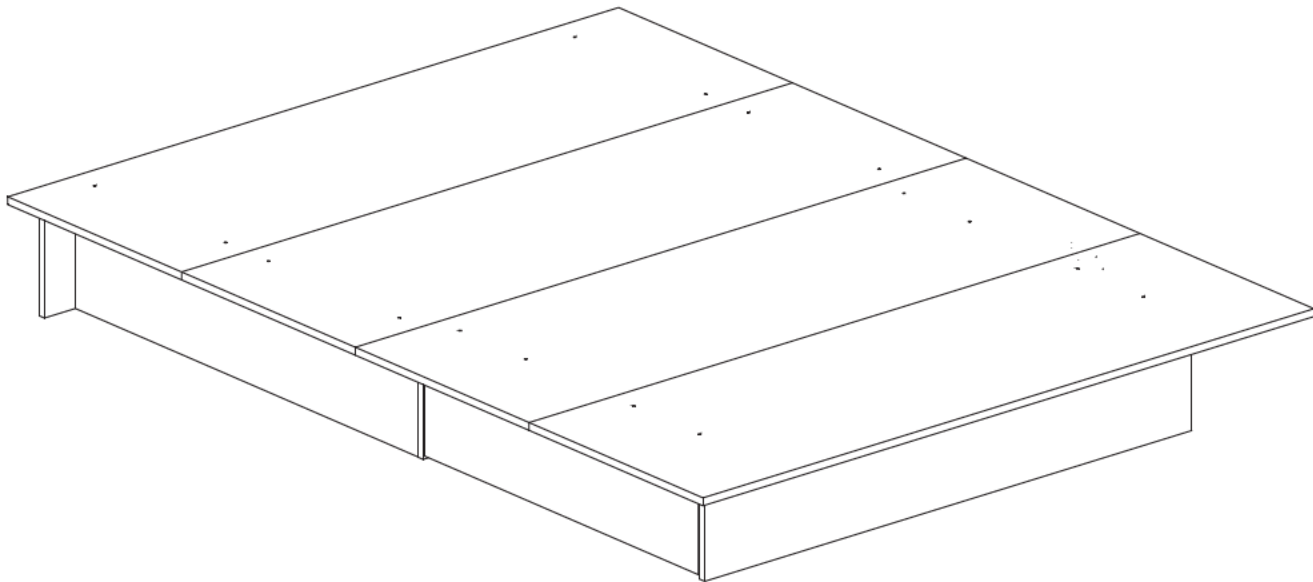


ASSEMBLY INSTRUCTIONS  
*INSTRUCTIONS D'ASSEMBLAGE*  
INSTRUCTIVO DE ARMADO

**5** YEARS  
ANS  
AÑOS | WARRANTY  
GARANTIE  
GARANTÍA

**Article/ Item/ Artículo**

Full/Queen Platform (54/60") with drawers  
lit plate-forme Double/Queen (54/60") avec tiroirs  
Cama plataforma doble/queen (54/60") con cajones



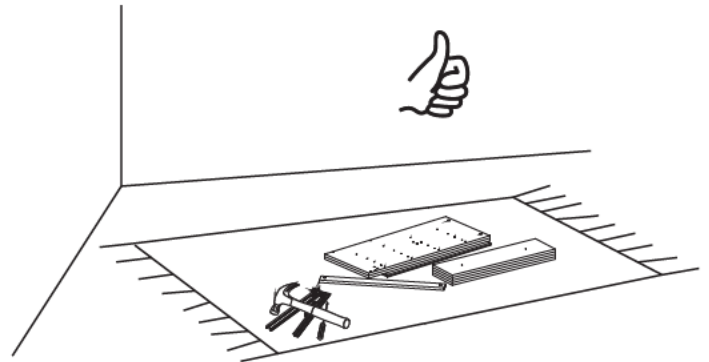
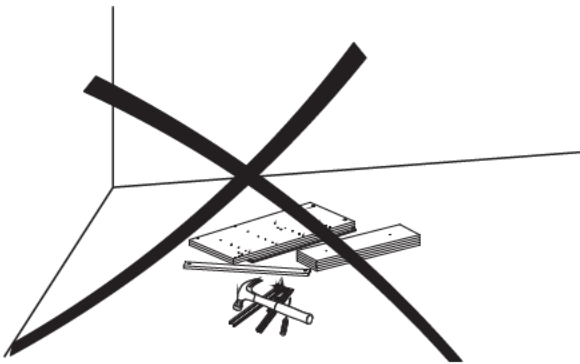
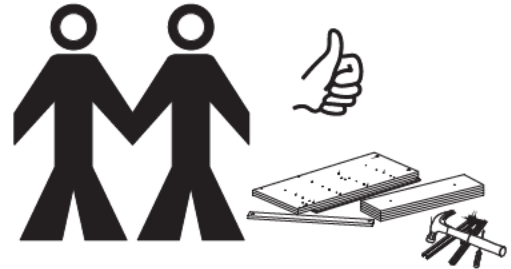
ADULT ASSEMBLY REQUIRED  
*DOIT ÊTRE ASSEMBLÉ PAR UN ADULTE*  
DEBE DE SER ARMADO POR UN ADULTO

**#Instructions/ #Instructions/ #Instructivo**

N.B.: It is important to carefully read all instructions before beginning the assembly and before use of the furniture. Keep the assembly instructions for future use and for warranty purposes.

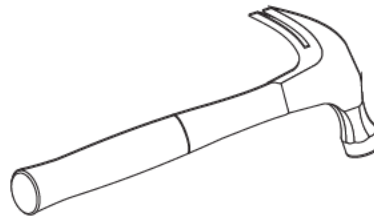
N.B. Il est important de bien lire toutes les instructions avant de commencer l'assemblage et avant d'utiliser le meuble. Gardez les instructions d'assemblage pour utilisation future et pour la garantie.

N.B. Lea con detenimiento las instrucciones antes de comenzar a ensamblar y antes de utilizar su mueble. Guarde el instructivo de ensamble para un futuro uso y para usos de garantía.

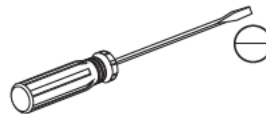


\* TOOLS REQUIRED/OUTILS REQUIS/HERRAMIENTAS REQUERIDAS:

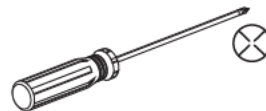
- HAMMER/MARTEAU/MARTILLO



- STANDARD/PLAT/PLANO

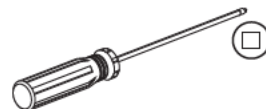


- PHILLIPS/ÉTOILE/CRUZ



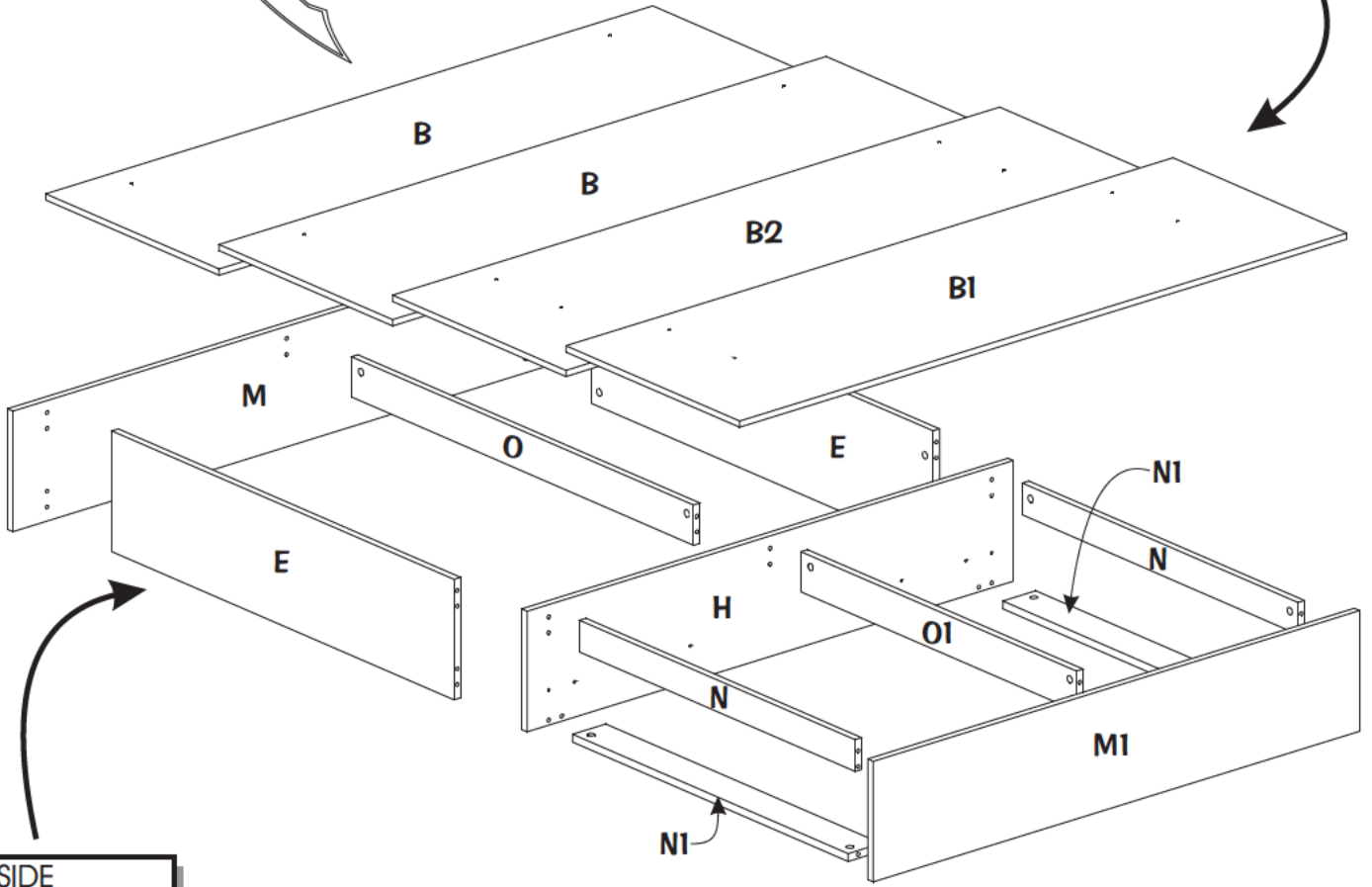
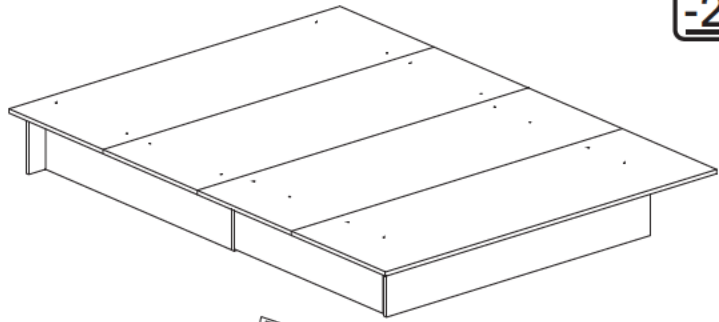
or/ou/o

- ROBERTSON/CARRÉ/CUADRADO

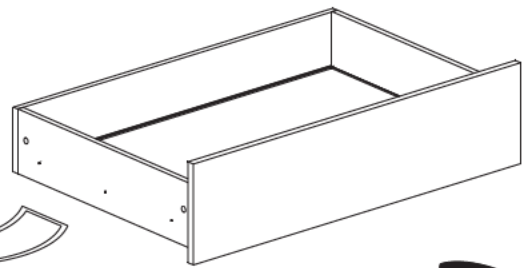
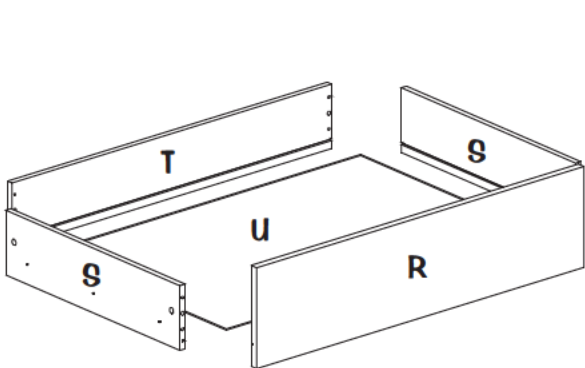


-217-

RIGHT SIDE  
CÔTÉ DROIT  
LADO DERECHO


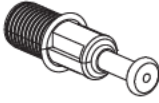
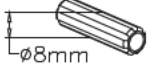





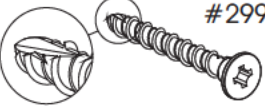
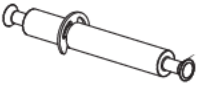

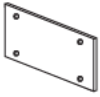
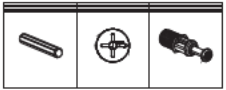


LEFT SIDE  
CÔTÉ GAUCHE  
LADO IZQUIERDO



**2x** Drawers  
Tiroirs  
Cajones

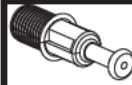
# HARDWARE / QUINCAILLERIE / HERRAJE

16X	 #92	18X	 #144	26X	 #231 ø8mm
24X	 #99	20X	 #158	4X	 #297 #298
16X	 #101	16X	 #169	16X	 #299
1X	 #143	2X	 #485	6X	 #335
				2X	 #516

\* Hardware package may have spare parts .

\* Le sac de quincaillerie peut contenir des pièces de remplacement .

\* La bolsa de herraje puede contener piezas adicionales de repuesto .

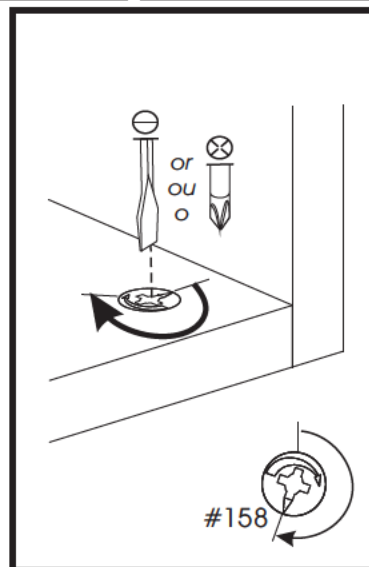
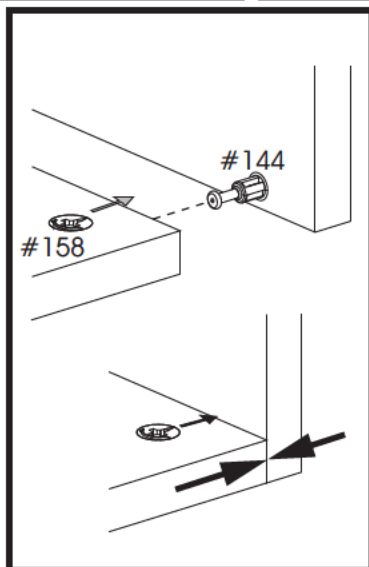
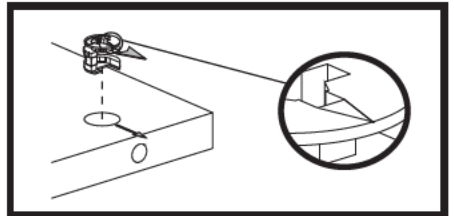
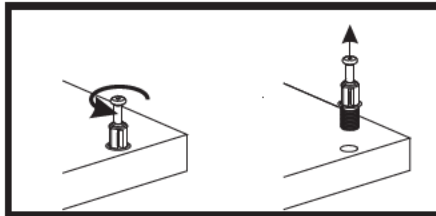
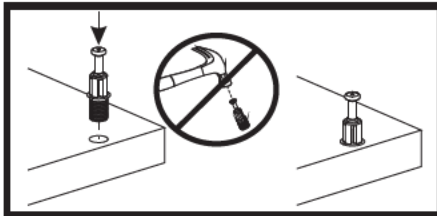


#144

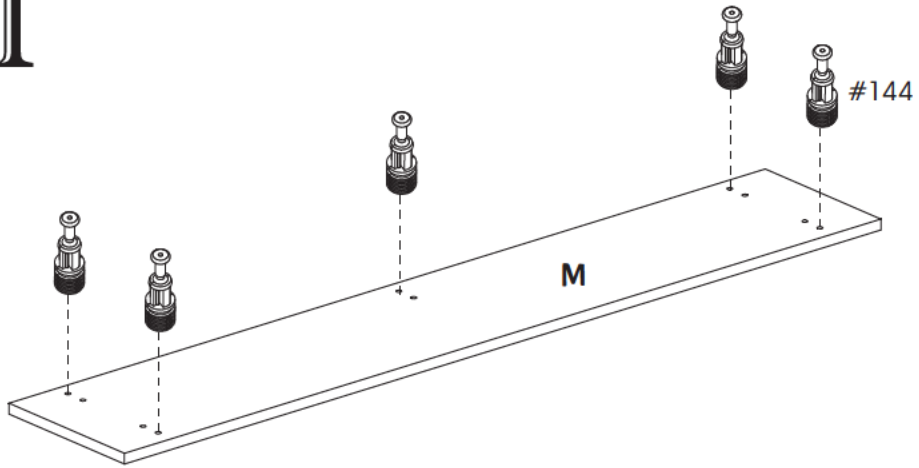


#158

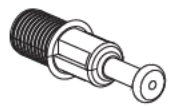
\*\*\*THINGS TO REMEMBER FOR ASSEMBLING/À RETENIR LORS DE L'ASSEMBLAGE/ A RECORDAR DURANTE EL ENSAMBLAJE\*\*\*



# 1



5X



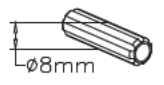
#144

8X

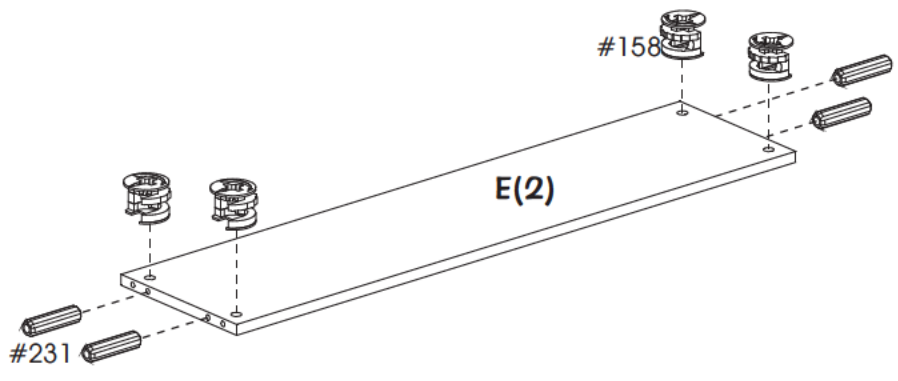


#158

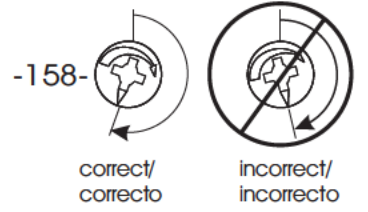
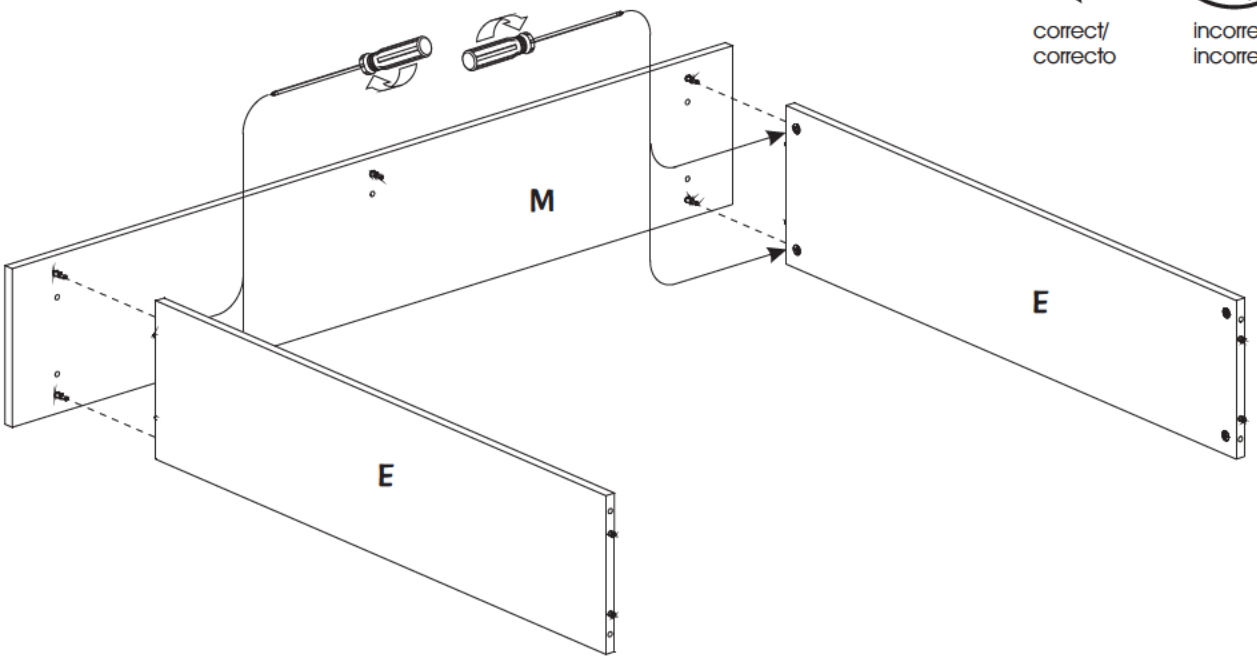
8X



#231

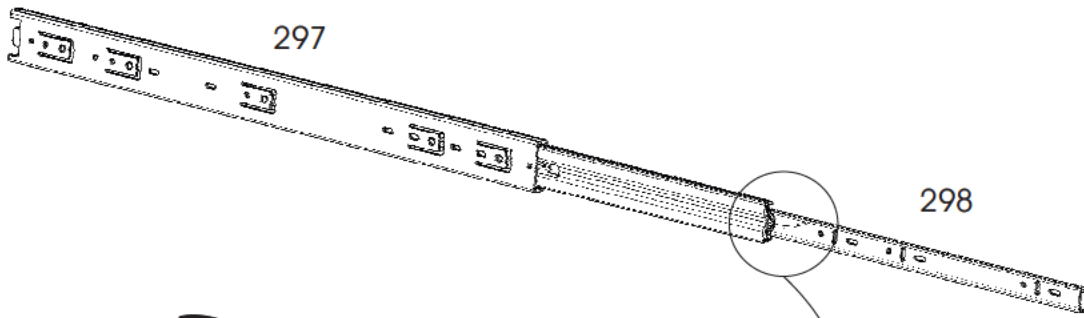
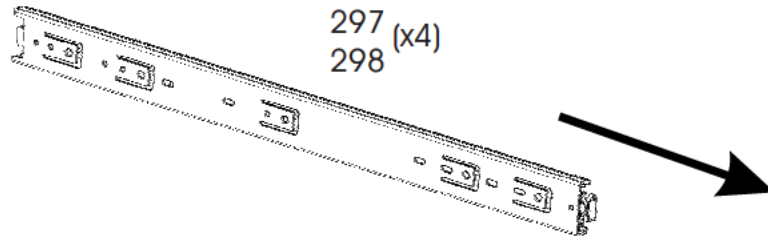


# 2

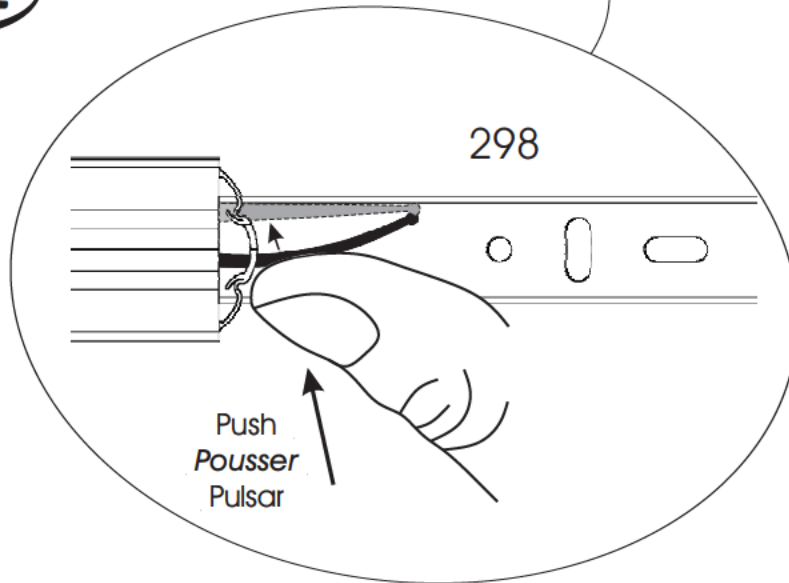


Separate the drawer slide.  
Séparer la coulisse.  
Saparar la corredera.

#1

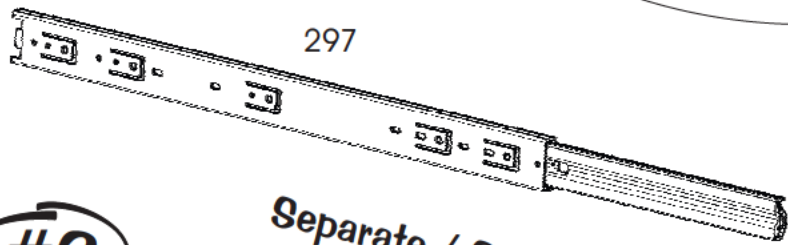


#2

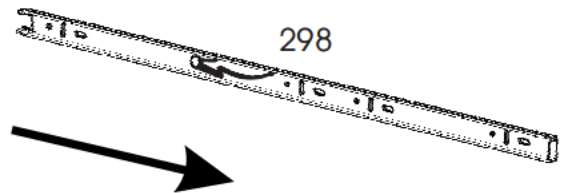


Push  
Pousser  
Pulsar

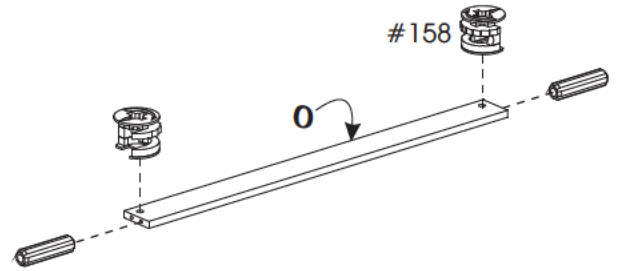
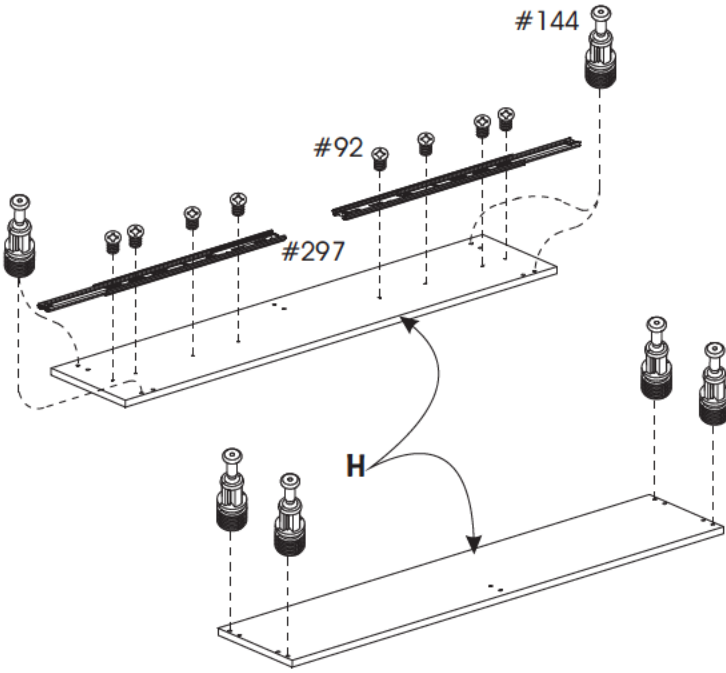
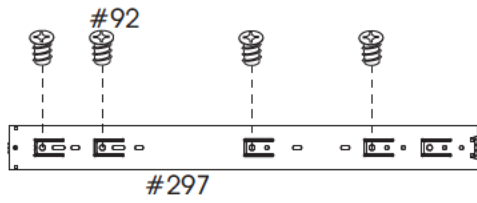
#3


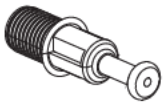




Separate / Séparer / Saparar

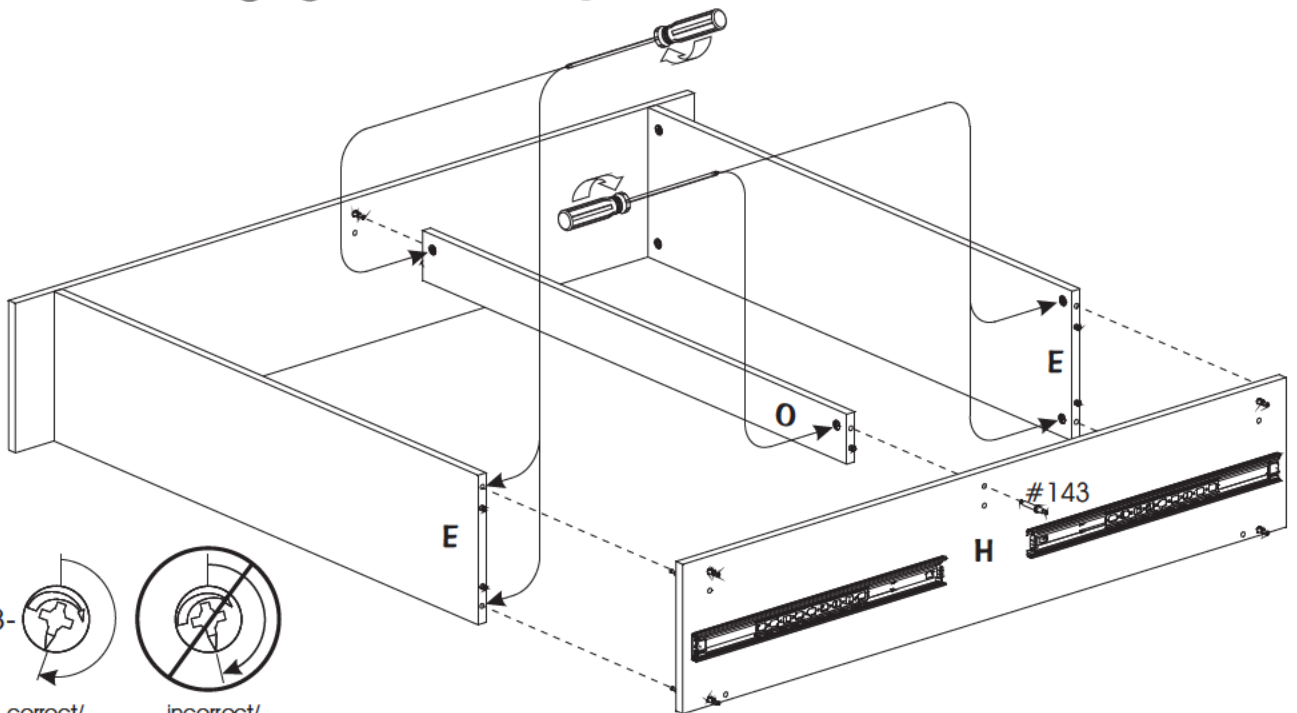
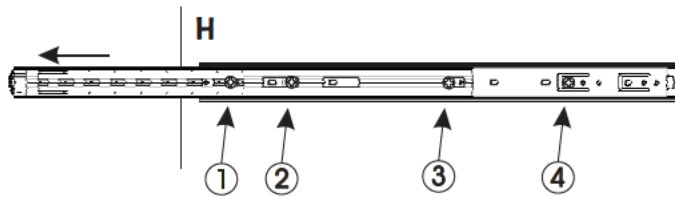


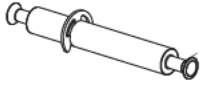
# 3

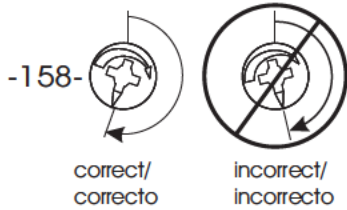


8X		#92
8X		#144
2X		#158
2X		#297

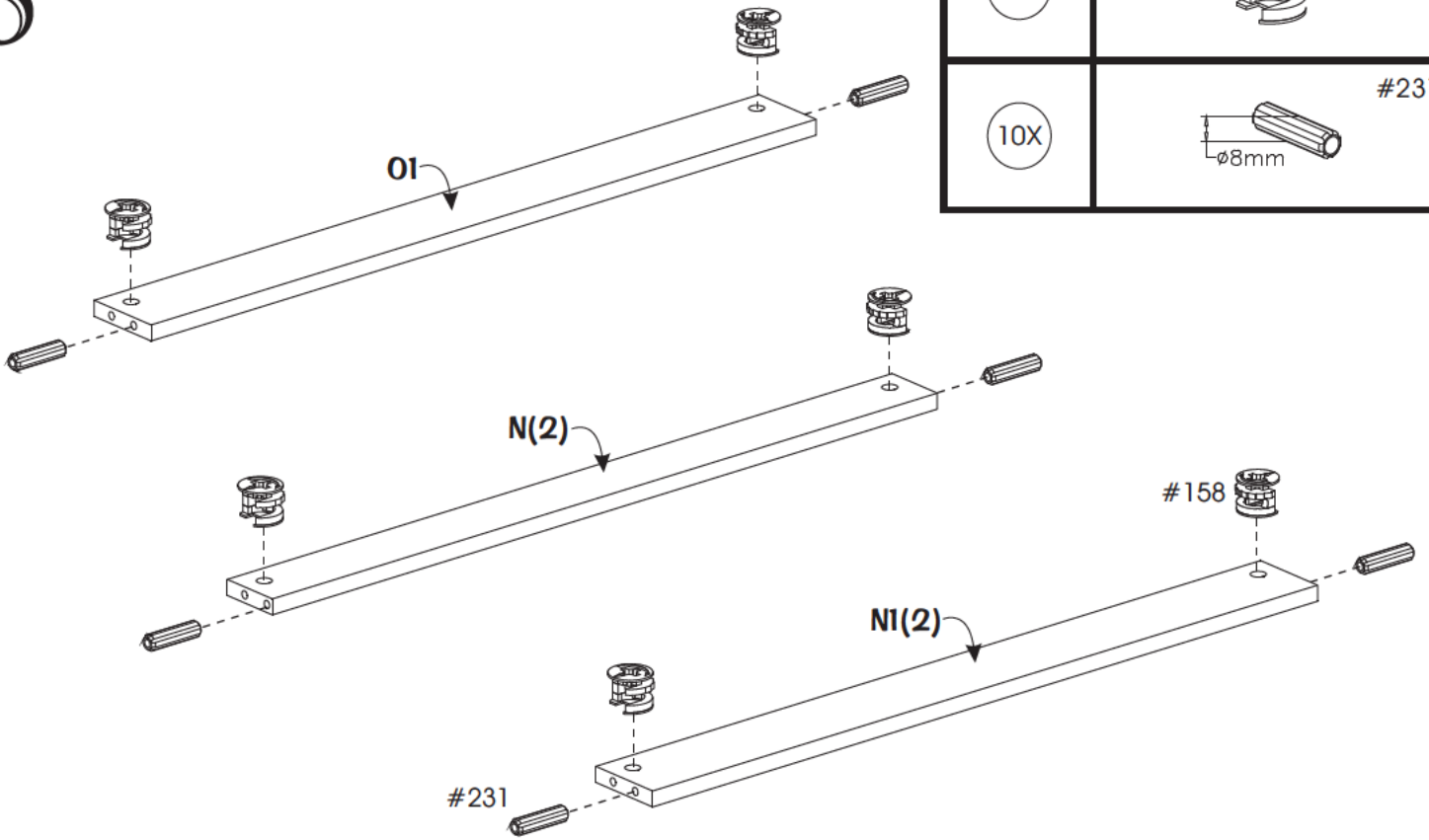
# 4



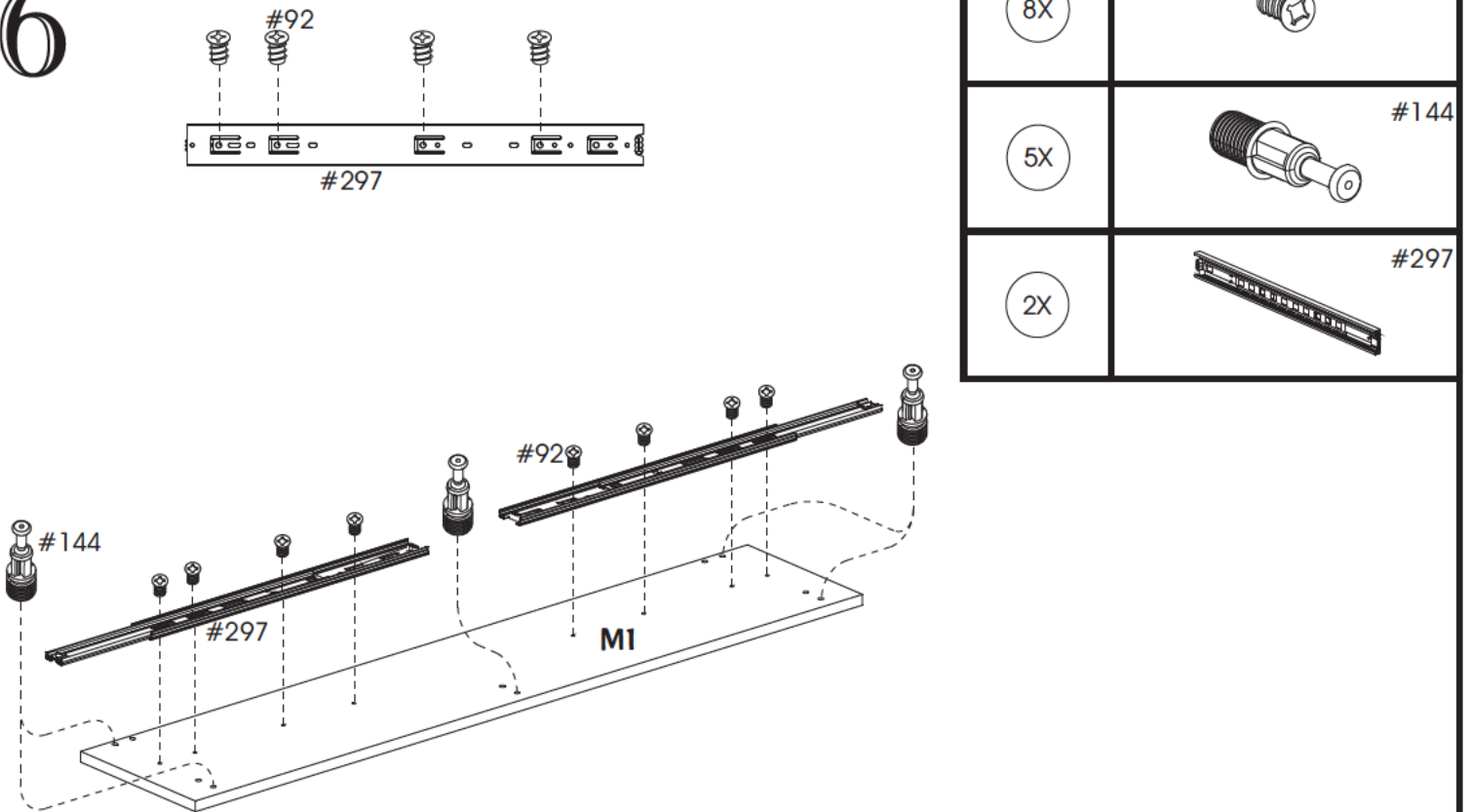
1X		#143
----	---	------



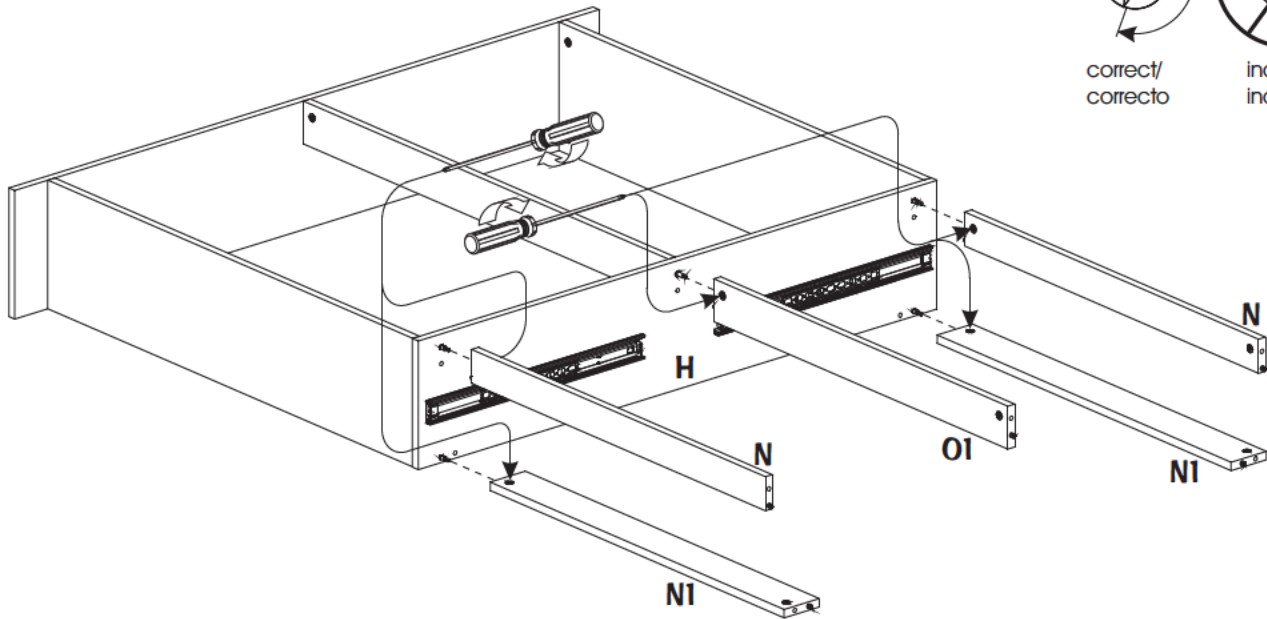
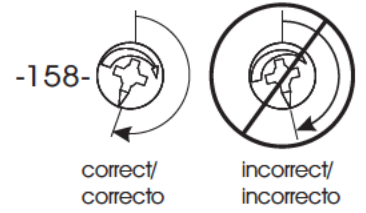
# 5



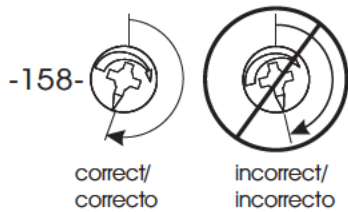
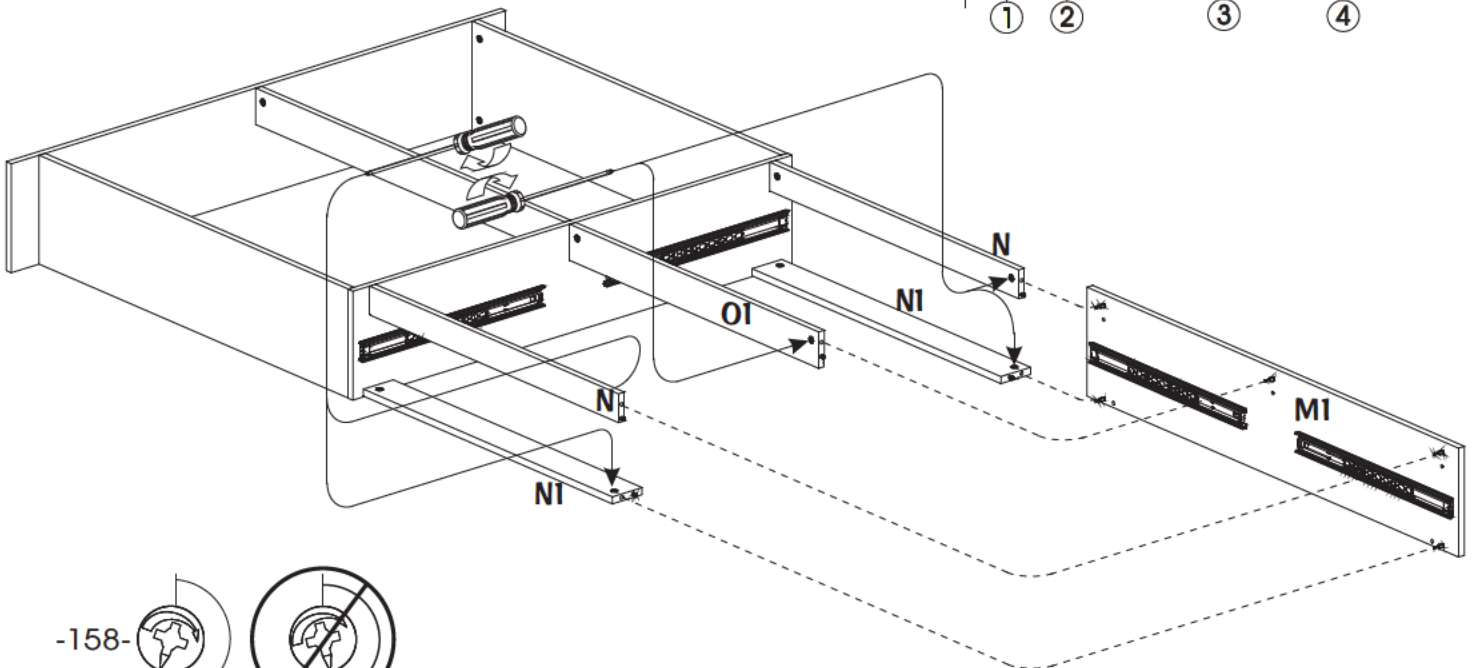
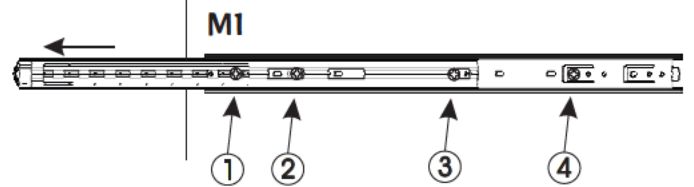
# 6



# 7

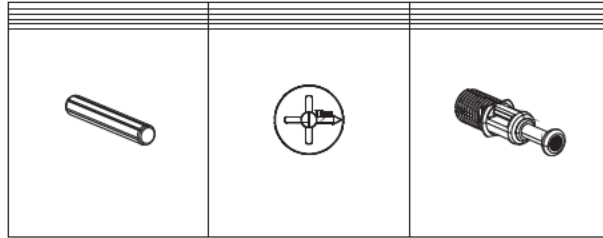


# 8



# HARDWARE / QUINCAILLERIE / FERRETERÍA

**-516-**



Each contain  
Chacun contient  
Cada uno contiene

8X



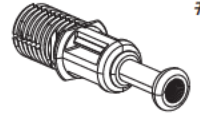
#229

4X



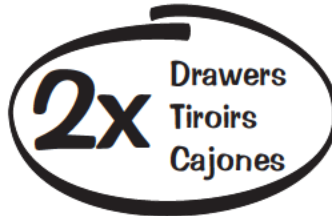
#533

4X



#535

9



8X

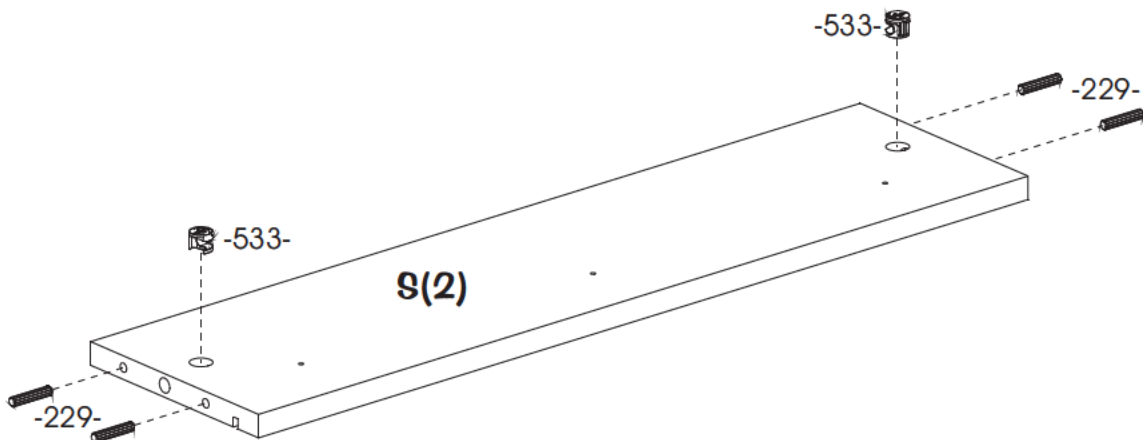


#229

4X



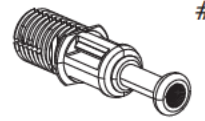
#533



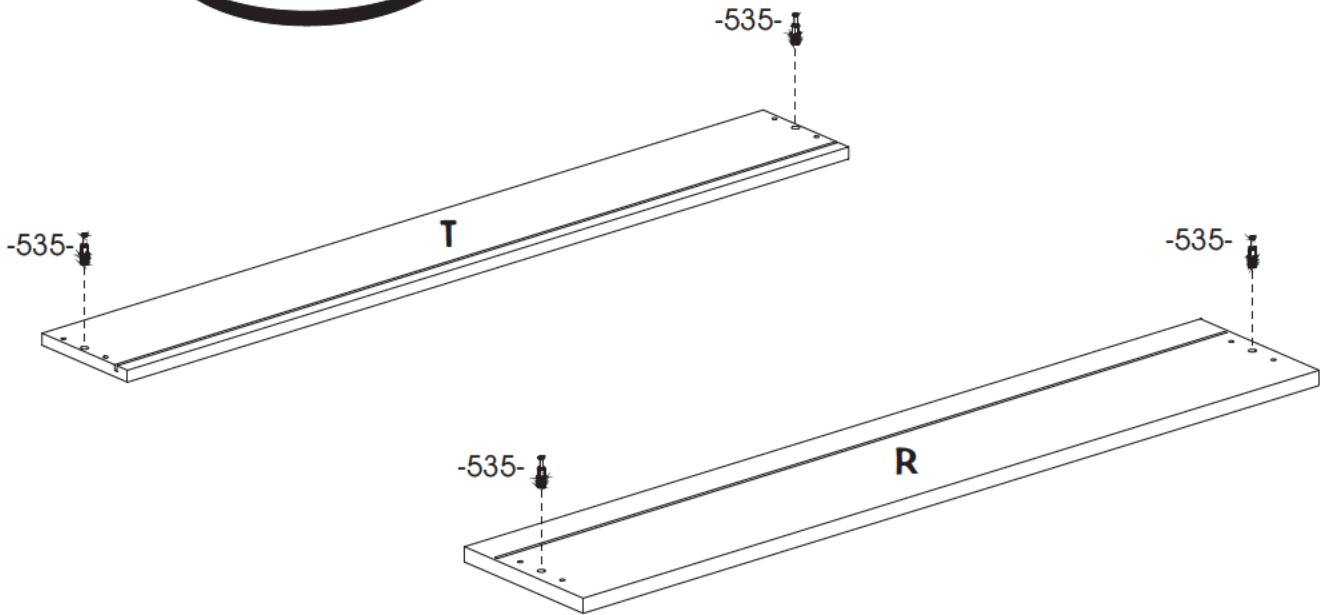
# 10

**2x** Drawers  
Tiroirs  
Cajones

4X

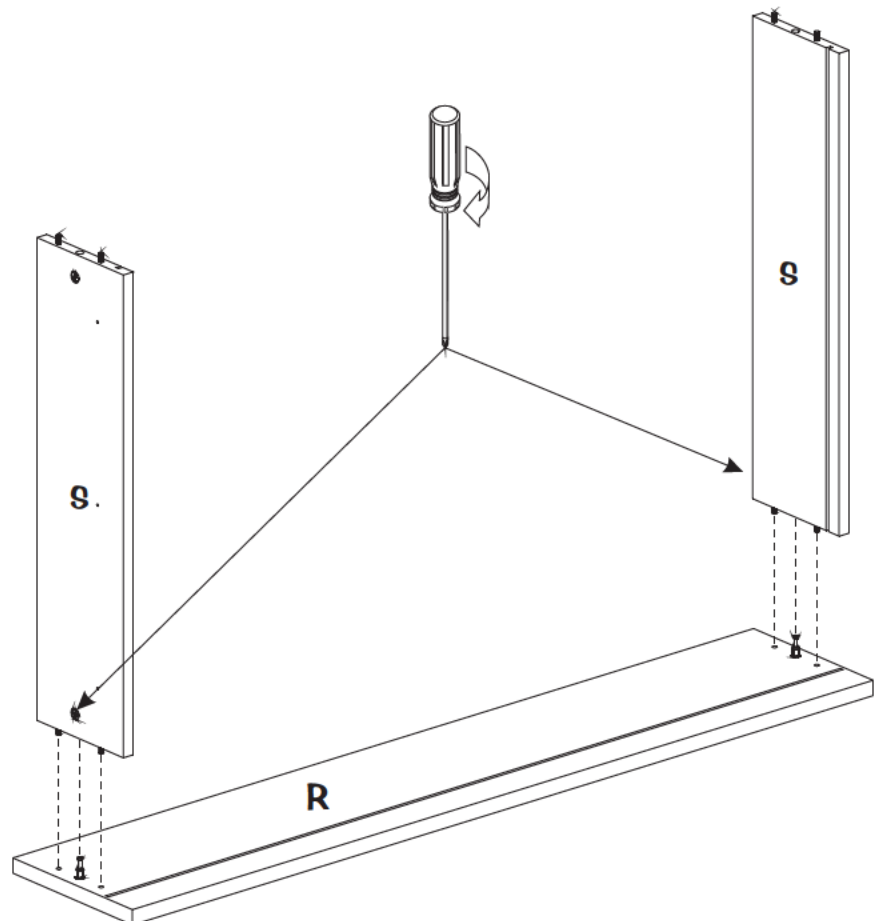
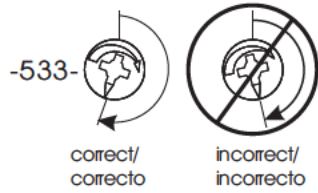


#535



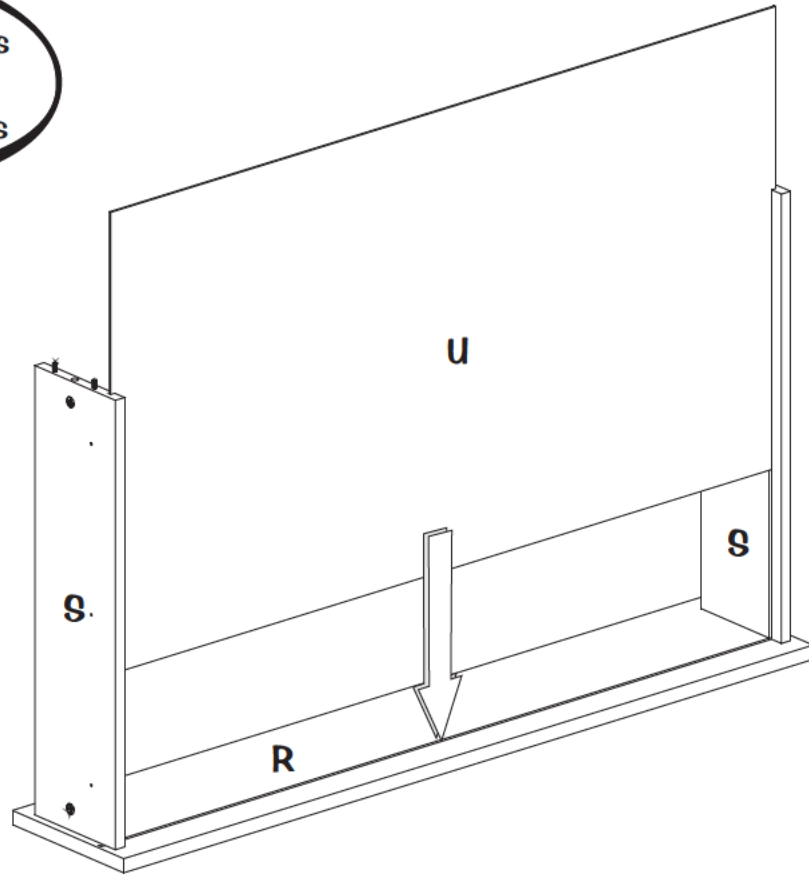
# 11

**2x** Drawers  
Tiroirs  
Cajones



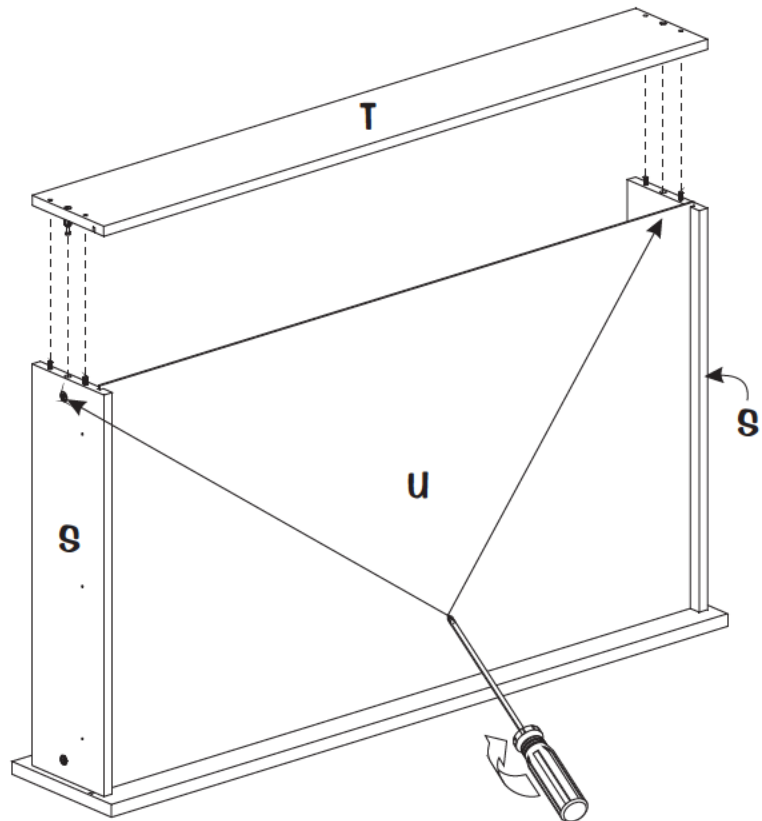
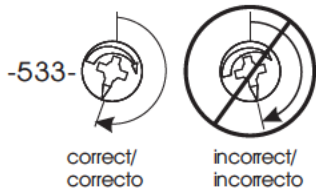
# 12

**2x** Drawers  
Tiroirs  
Cajones

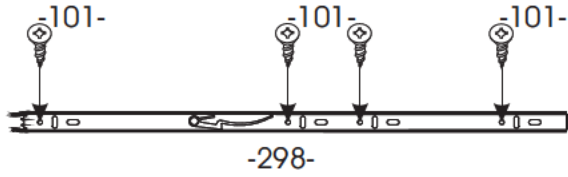


# 13

**2x** Drawers  
Tiroirs  
Cajones



# 14

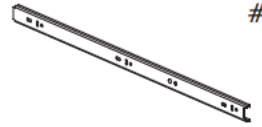


6X



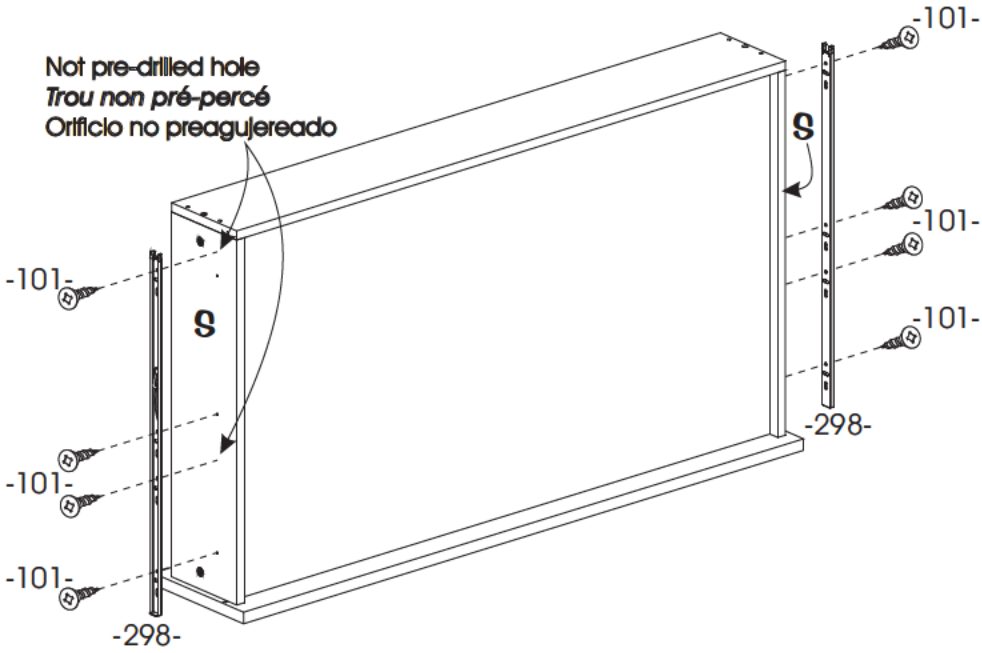
#101

2X



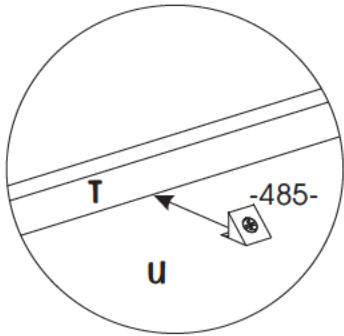
#298

Not pre-drilled hole  
*Trou non pré-percé*  
Orificio no preagujereado



**2x** Drawers  
Tiroirs  
Cajones

# 15

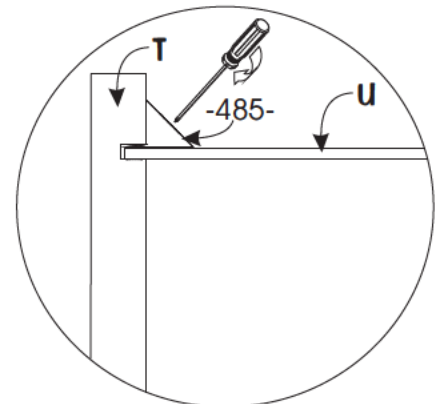
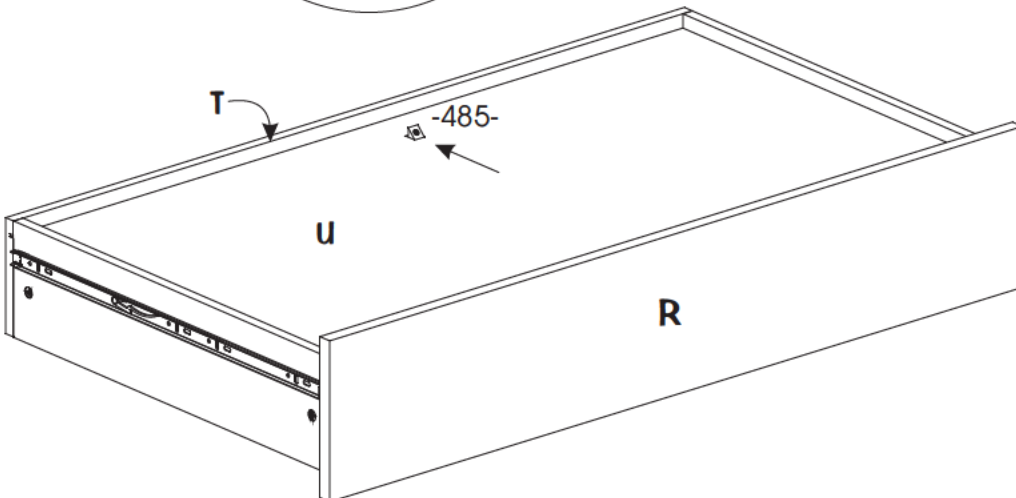


1X



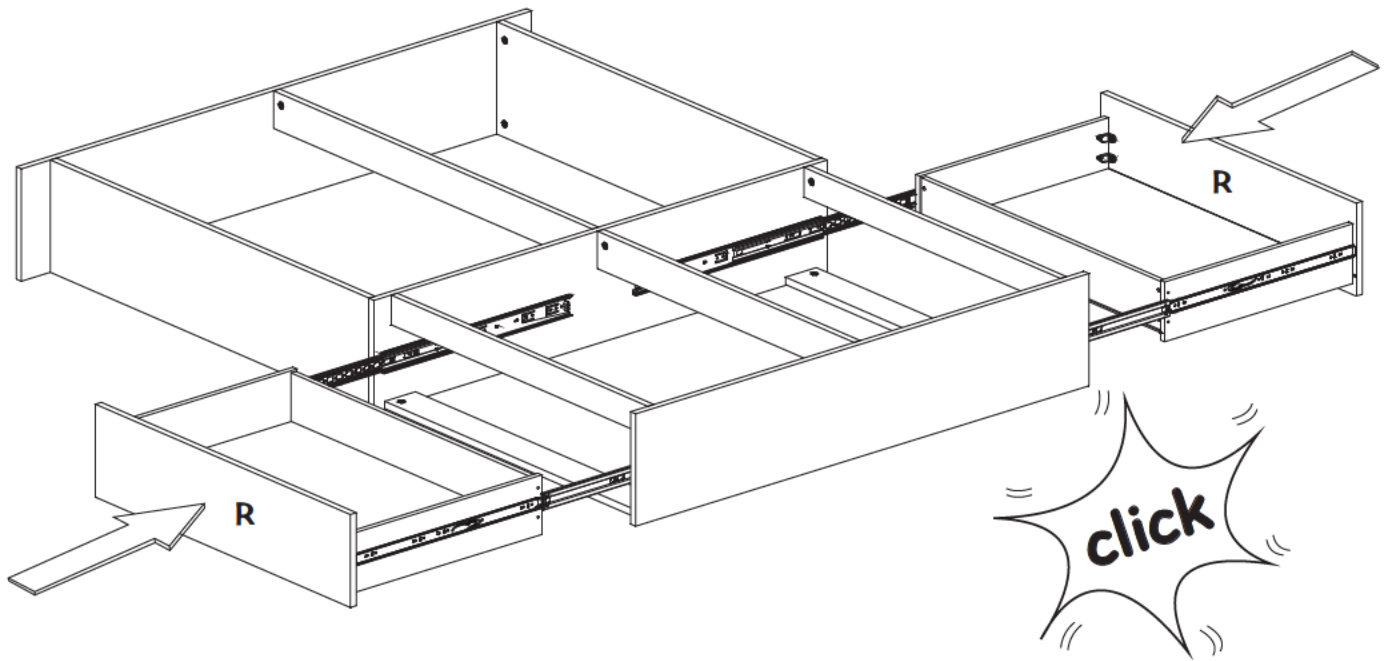
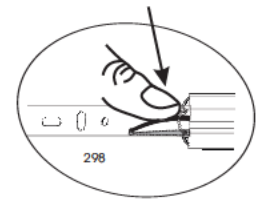
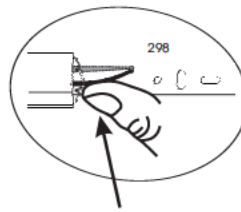
#485

**2x** Drawers  
Tiroirs  
Cajones



# 16

Push up both side to take out the drawer  
*Pousser de chaques côtés pour enlever le tiroir*  
Pulsar a cada lado para quitar El cajón



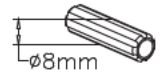
# 17

4X



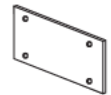
#99

2X



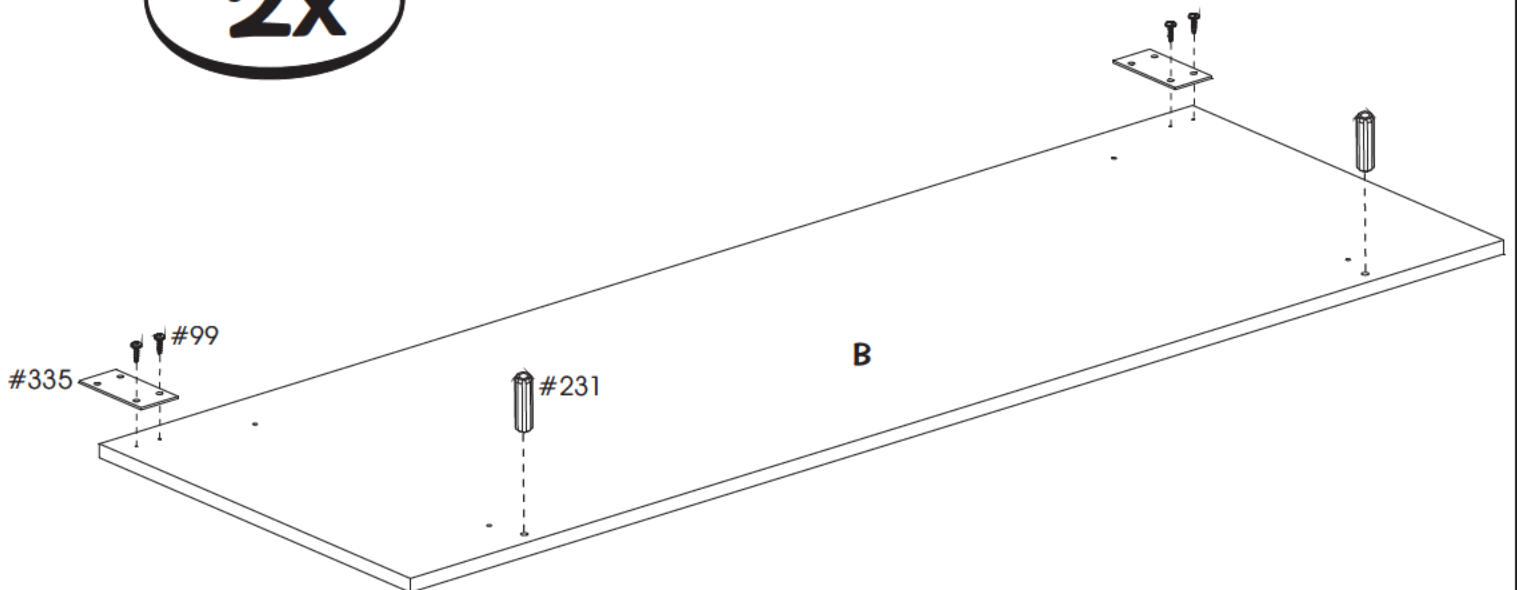
#231

2X

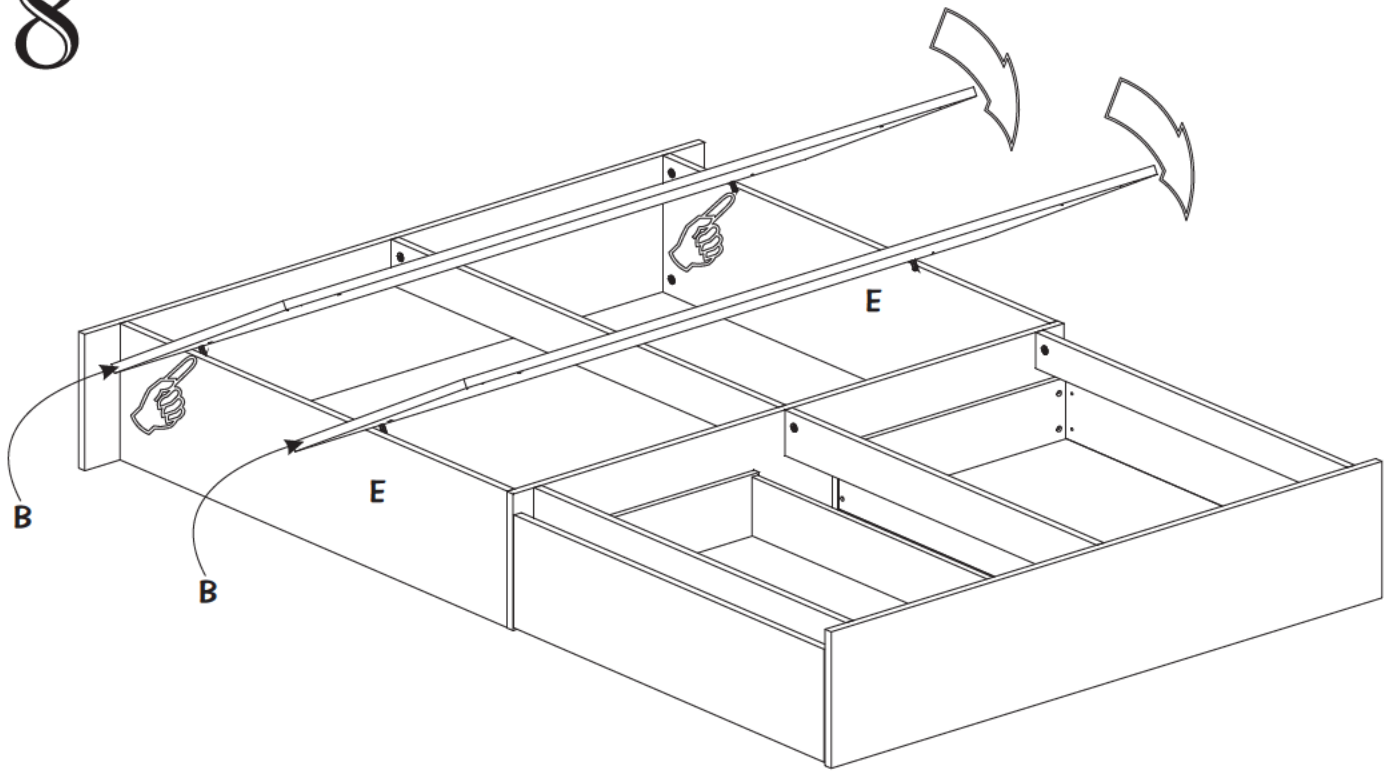


#335

**2x**

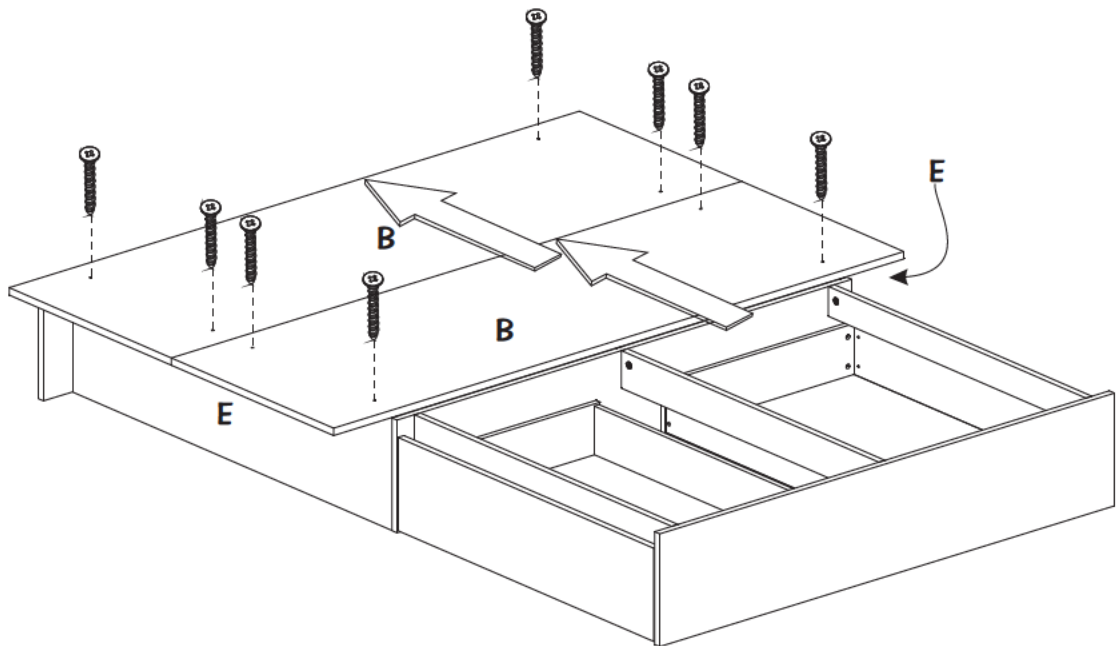


# 18

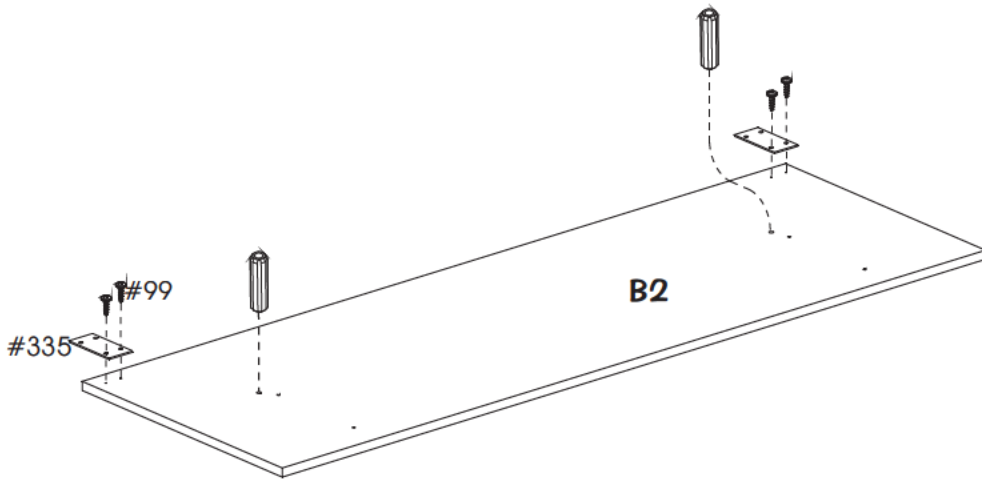


# 19

8X

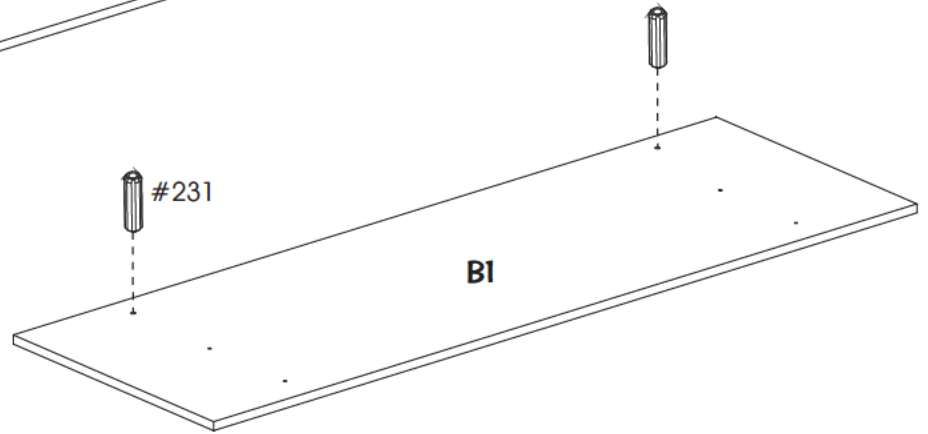


# 20



#99  
#335

B2



#231

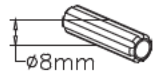
B1

4X



#99

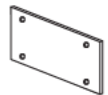
4X



#231

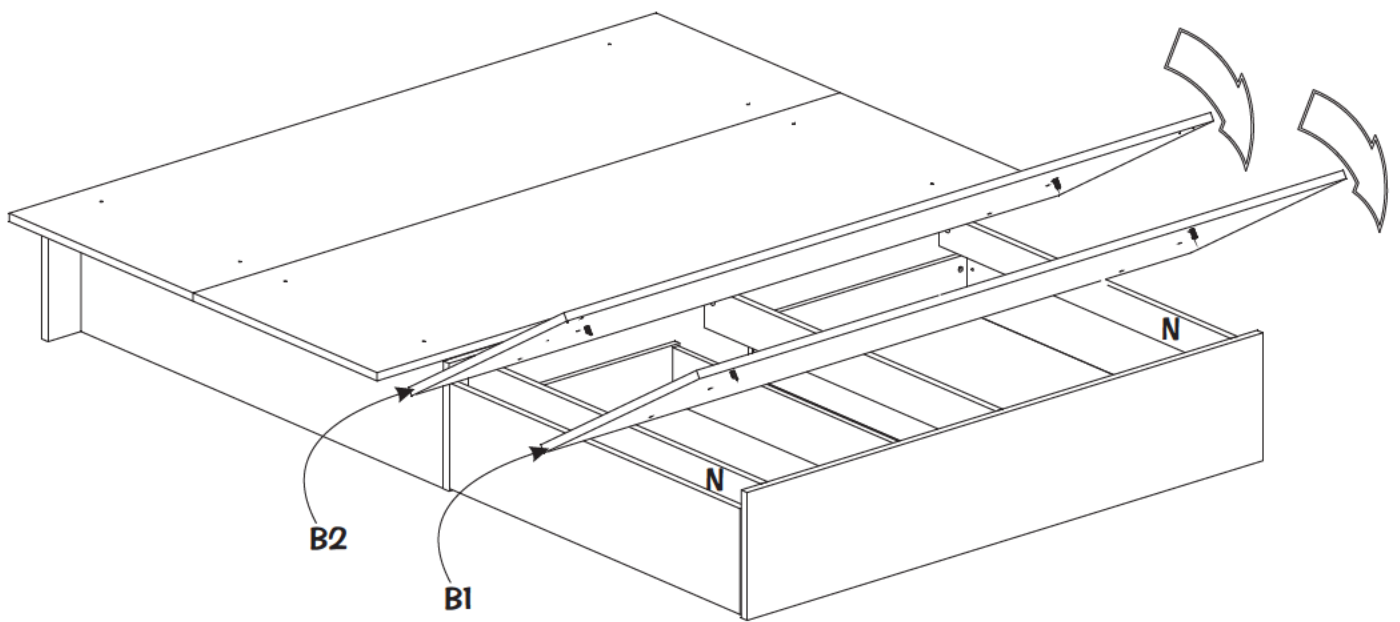
∅8mm

2X



#335

# 21



B2

B1

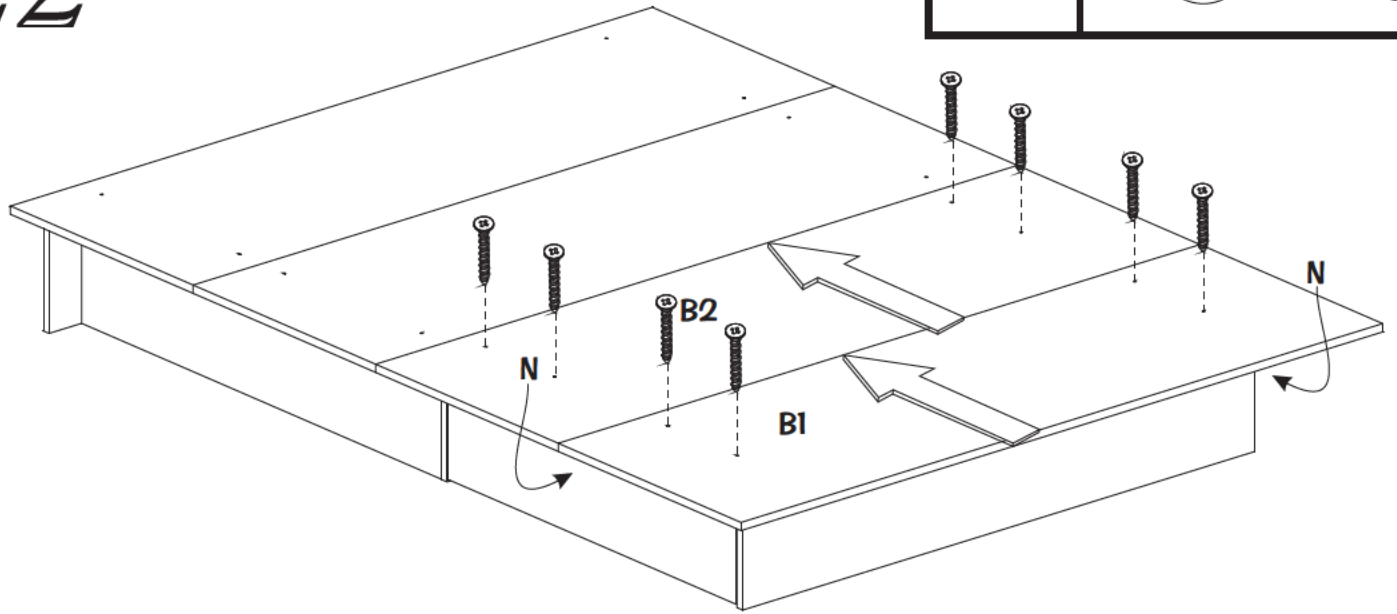
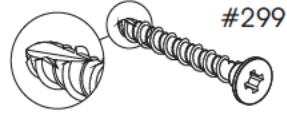
N

N

# 22

8X

#299



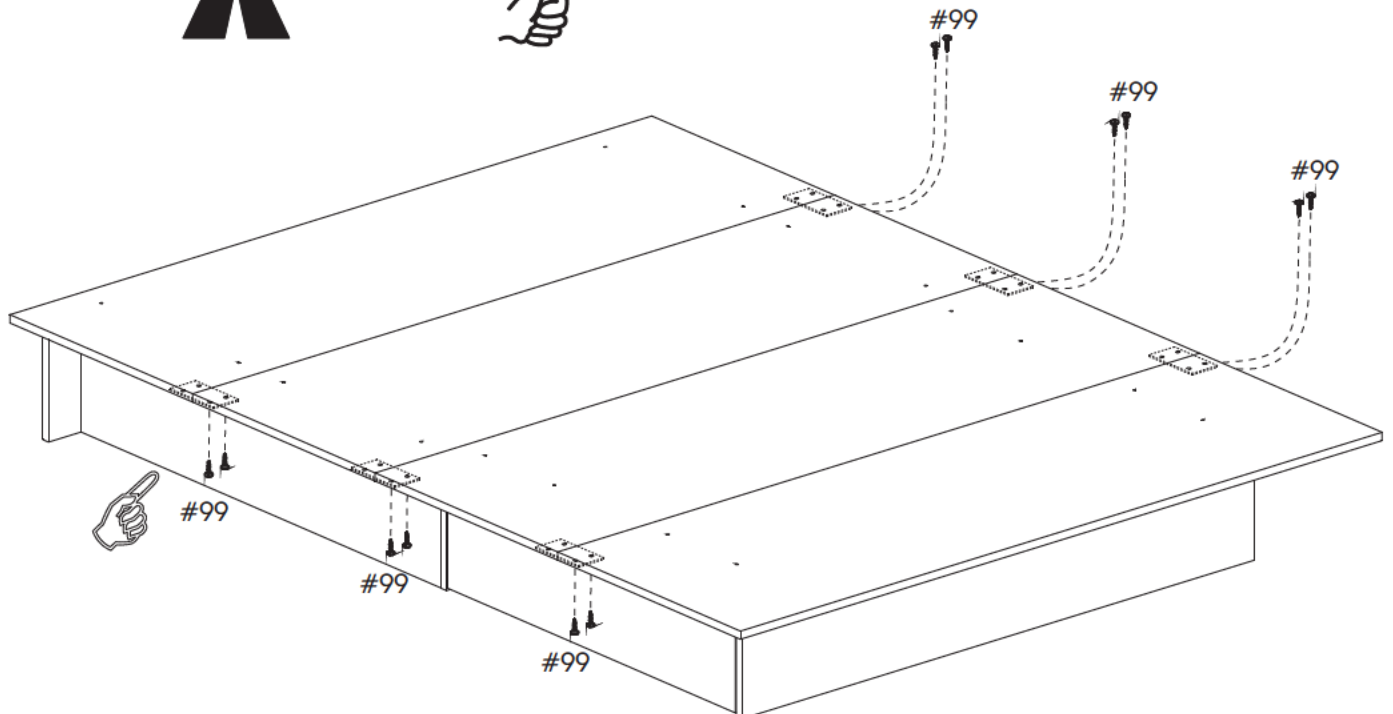
# 23A

12X

#99



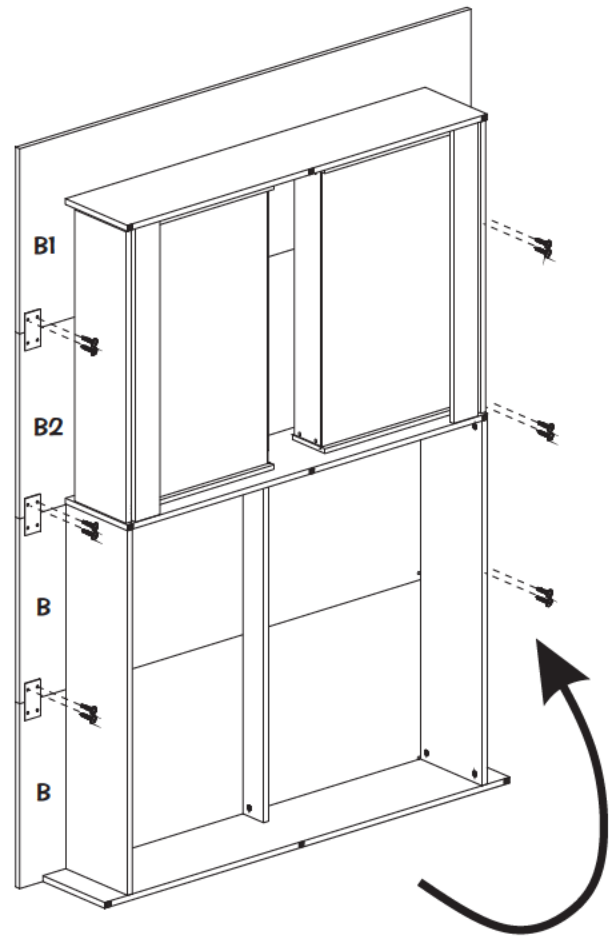
= OPTION A



# 23B



= OPTION B

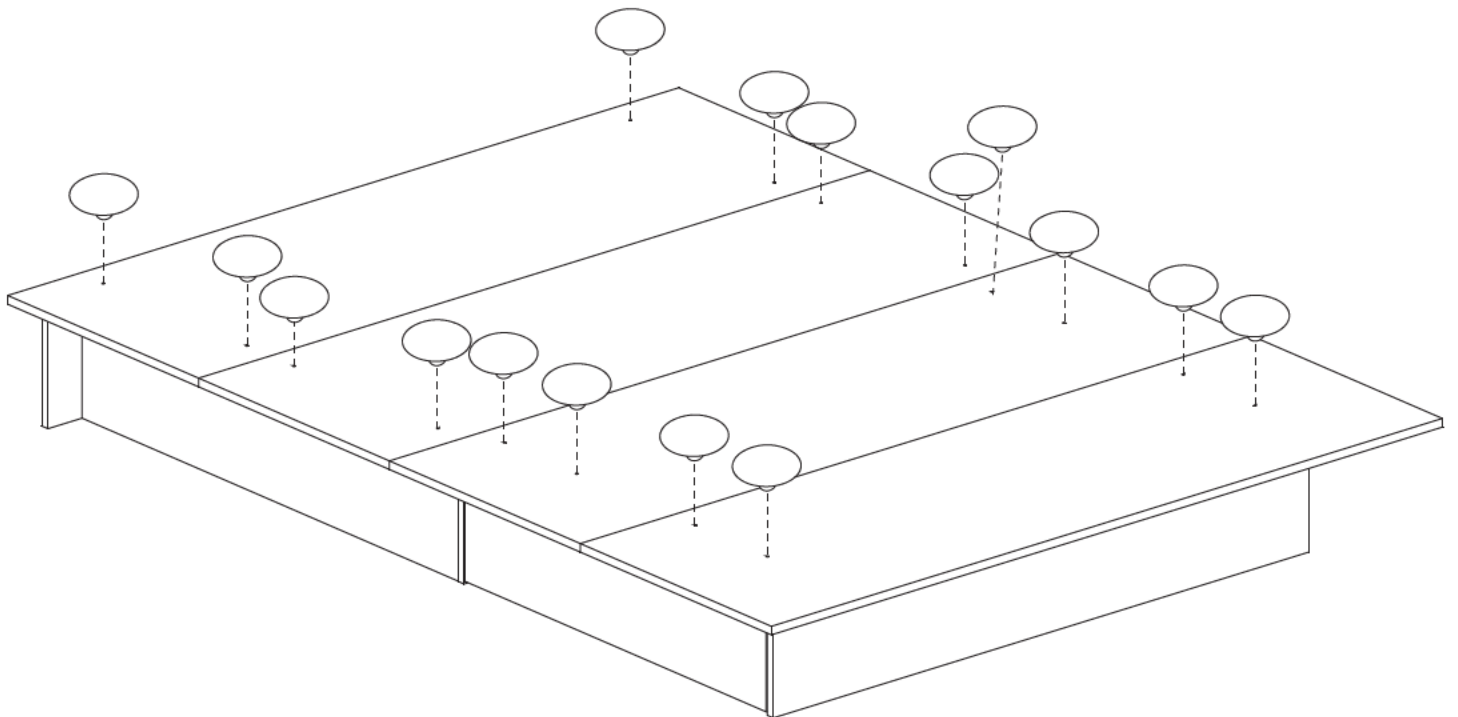


# 24

16X



#169



## MAINTENANCE TIPS / CONSEILS D'ENTRETIEN / CONSEJOS DE MANTENIMIENTO

- Never let liquids or damp cloths sit on this furniture.
- *Ne jamais laisser de liquide ou linge humide sur le meuble.*
- Nunca deje un líquido o un trapo húmedo sobre el mueble.



- Never use chemical cleaning products. They can damage the finish. For cleaning, use only a slightly damp cloth and wipe dry.
- *Ne jamais utiliser de nettoyeurs à base de produits chimiques, cela va endommager le fini. Utiliser seulement un linge légèrement humide.*
- Nunca utilice limpiadores a base de químicos, estos dañaran le acabado. Use sólo un paño húmedo.



- To avoid dulling of the finish, do not place furniture in direct sunlight.
- *Ne pas placer le meuble directement au soleil pour prévenir le ternissement.*
- No exponga el mueble directamente al sol para prevenir empañamiento.



- Do not put plastic or rubber rings under appliances. Use cloth or felt protectors.
- *Évitez de déposer des appareils avec des rondelles de plastique ou de caoutchouc. Utilisez un protecteur en tissu ou en feutre.*
- Evite apoyar aparatos con redondeles de plástico o de goma. Utilizar un protector de tela o de fieltro.



- To clean, use a soft or slightly damp cloth, then wipe with a clean, dry cloth.
- *Pour nettoyer, utilisez un linge doux ou légèrement humecté. Essuyez par la suite avec un linge propre et sec.*
- Para limpiar, utilice un trapo suave o ligeramente humedecido. Seque luego con un trapo limpio y seco.



## 5 YEAR LIMITED WARRANTY

1. We provides the original buyer with a warranty covering "defects" on furni-ture parts and workmanship for a period of 5 years from the date of purchase.
2. The word "defect" as used in this warranty is defined as any imperfection that may impair the intended use of the product.
3. This warranty is strictly limited to the repair or replacement of defective component parts, and excludes all other direct or indirect charges and expenses up to the limit permitted by law in your state/province.
4. In the case of a discontinued part or product, We promises to reimburse the value of that part or product.
5. If a replacement part is unavailable,
6. This warranty only applies under conditions of normal domestic use. It does not cover defects resulting from commercial use, intentional damage, negligence, abuse, product modification, accidents, exposure to the elements, or maintenance that does not comply with the guidelines
7. To honor this warranty, Furniture reserves the right to verify the grounds of any request and to ask for the original buyer's proof of purchase.
8. This warranty is only valid on purchases made at authorized retailers
9. This warranty defines the limits of liability, and entitles the original buyer to specific rights. Any warranty defined by law in your state/province is limited to a period of 5 years. If the law in your state/province prohibits this restriction, then it does not apply.
10. will not reimburse defective furniture, but will replace it with an item of equivalent value.