

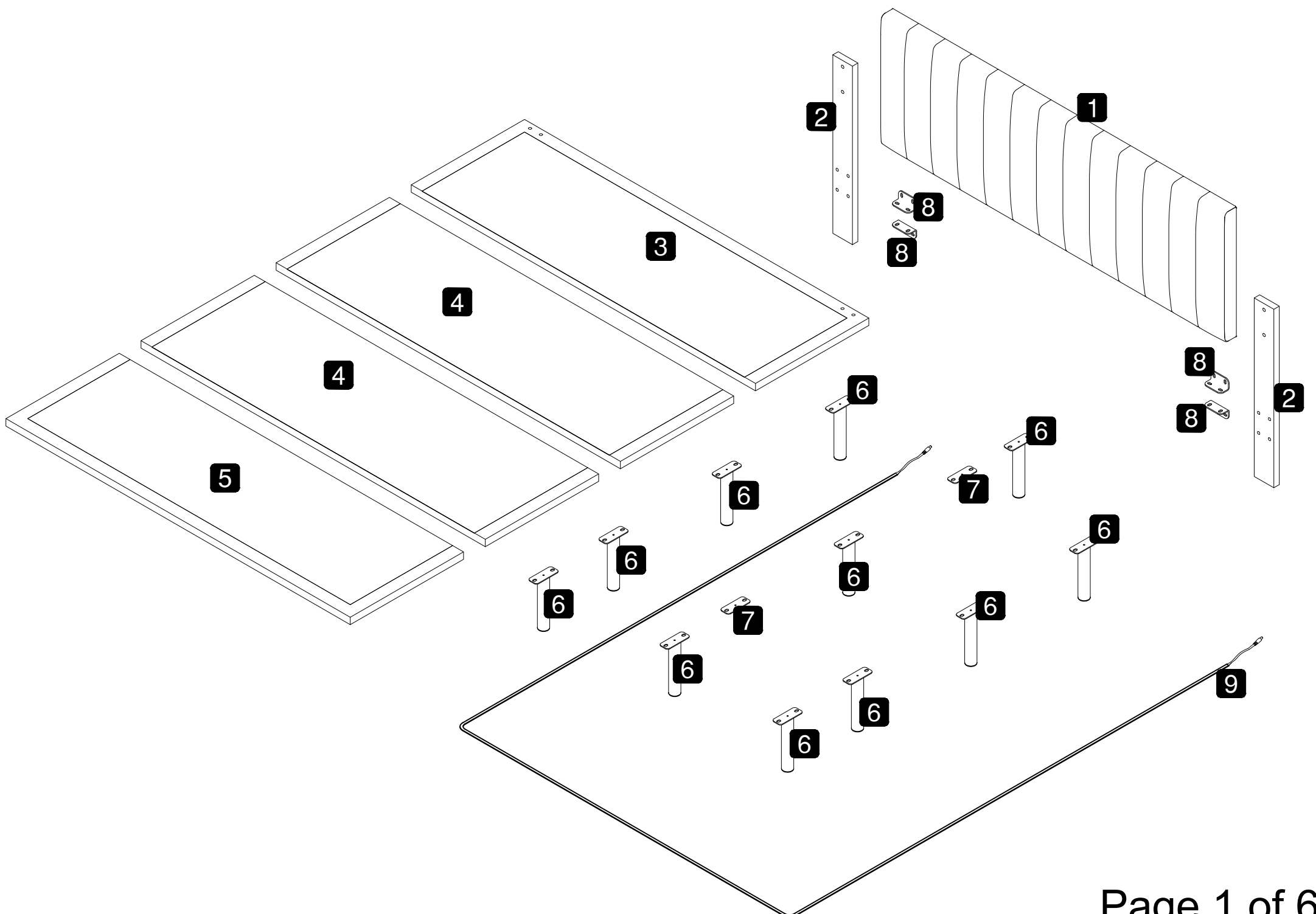
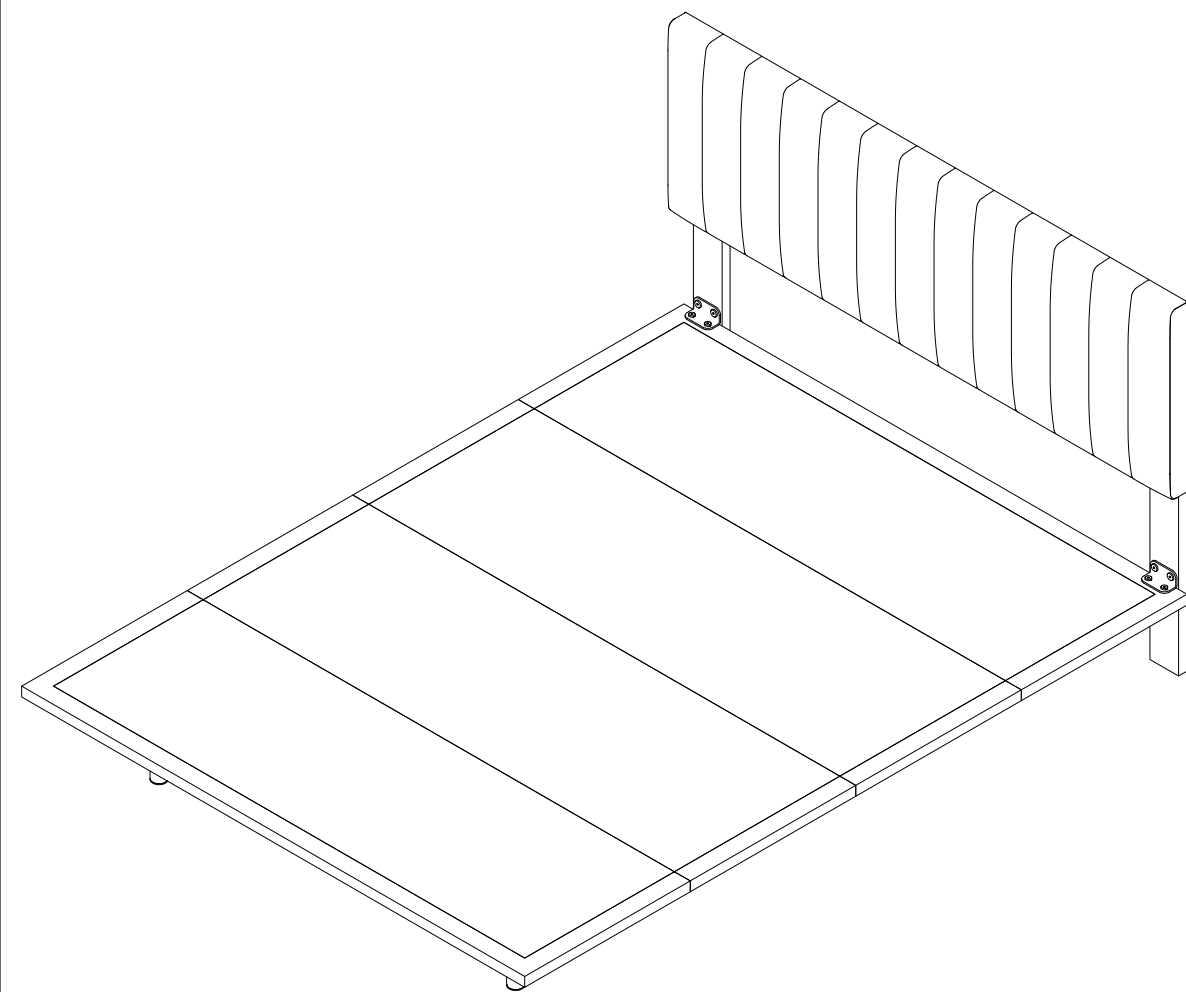
ASSEMBLY INSTRUCTION

TIPS

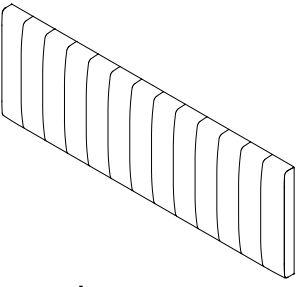

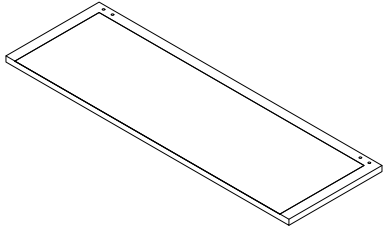
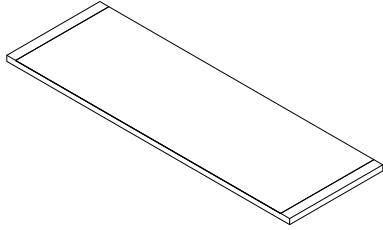
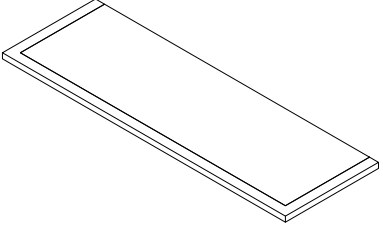
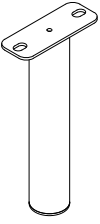
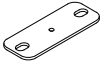
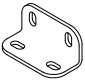
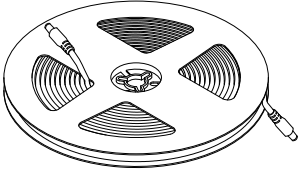
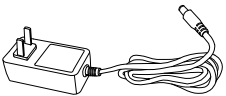
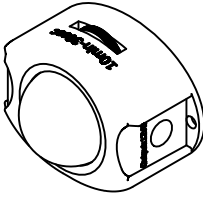
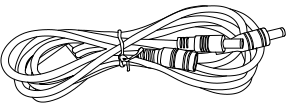
1. Please read the instructions fully before assembly. These instructions include important information which could ensure correct assembly. We have been working on providing high quality products for you. However, in the rare instance that your product is defective, missing parts or there are some issues, please don't hesitate to contact our customer service to submit parts requirements, assembly suggestion, or warranty claims, and we will give the best solution as soon as possible. If necessary, we need you to provide some more clear pictures of the issue.

2. Insert the screws in holes and tighten the screws, but not too tight, 70%~80% is ok, finally tighten all the screws. If some issues happened that some screws can not target to the hole or some parts are difficult to install, please adjust the tightness of the screws.

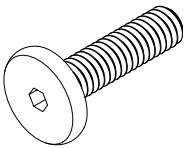
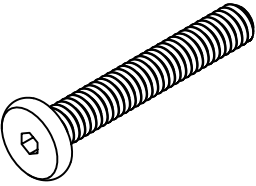
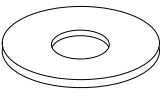

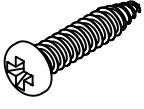
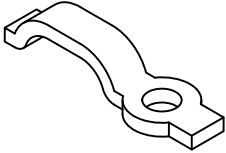

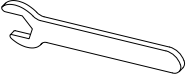
3. 2 people are recommended to finish.



Part List

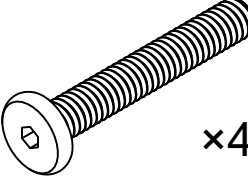


<p>1</p>  <p>Headboard X 1</p>	<p>2</p>  <p>Head board leg X 2</p>	<p>3</p>  <p>Bed Board A X 1</p>	<p>4</p>  <p>Bed Board B X 2</p>
<p>5</p>  <p>Bed Board C X 1</p>	<p>6</p>  <p>Connected support leg X 11</p>	<p>7</p>  <p>Iron Sheet X 2</p>	<p>8</p>  <p>L-shaped iron sheet X 4</p>
<p>9</p>  <p>LED light strip X 1</p>	<p>M</p>  <p>LED Power Transformer X 1</p>	<p>N</p>  <p>Induction switch X 2</p>	<p>O</p>  <p>Series line X 1</p>

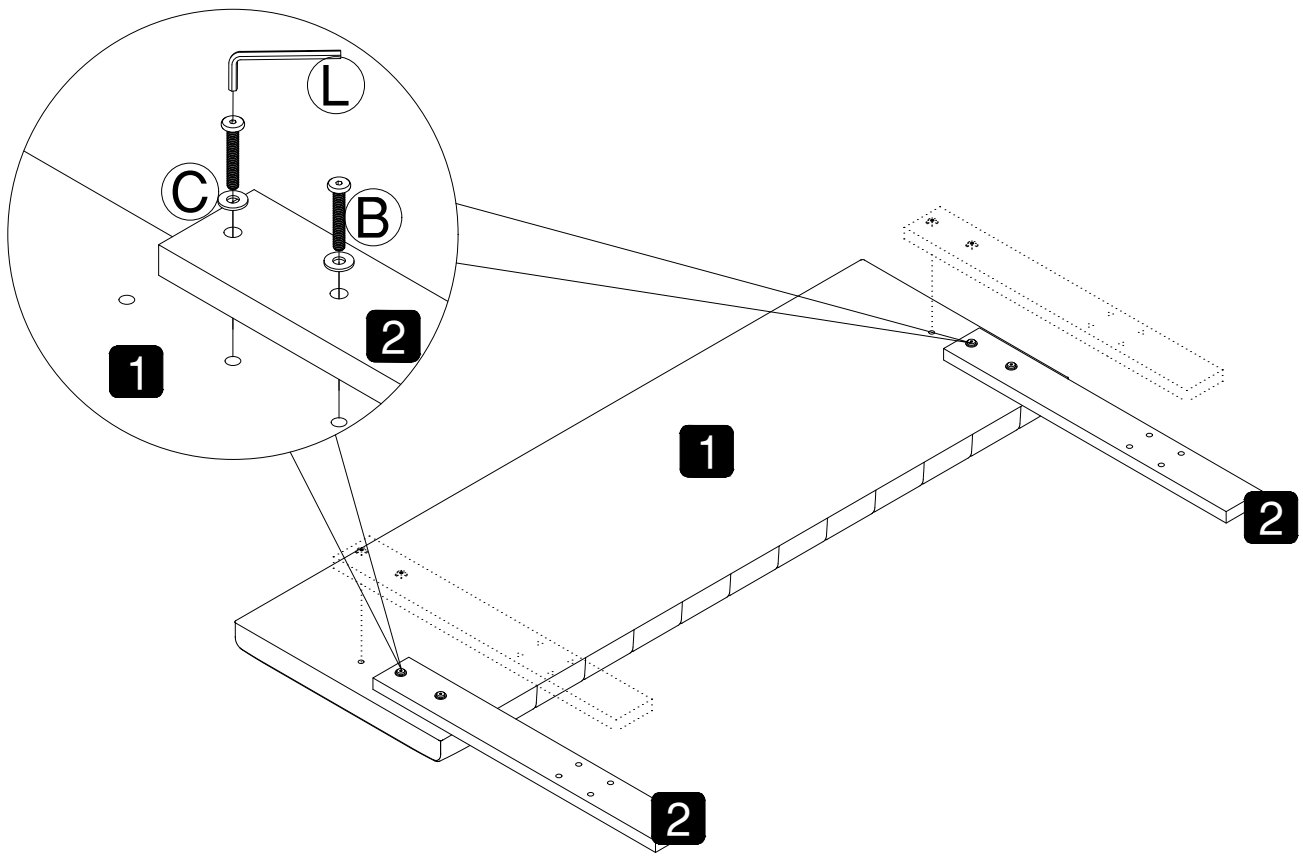
Hardware List

<p>A</p>  <p>Bolts (M8x25mm) X 34</p>	<p>B</p>  <p>Bolts (M8x50mm) X 8</p>	<p>C</p>  <p>Flat Washer X4</p>	<p>D</p>  <p>Non-slip nuts (M8) X 4</p>
<p>E</p>  <p>Screw (M3x15mm) X 74</p>	<p>F</p>  <p>Small buckle X 70</p>	<p>L</p>  <p>Allen Key X 1</p>	<p>S</p>  <p>Spanner M8 X 1</p>

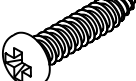
Attention: Do not tighten the screws before completing the entire installation. If you have any difficulty with the installation process, please feel free to contact us.

Step 1

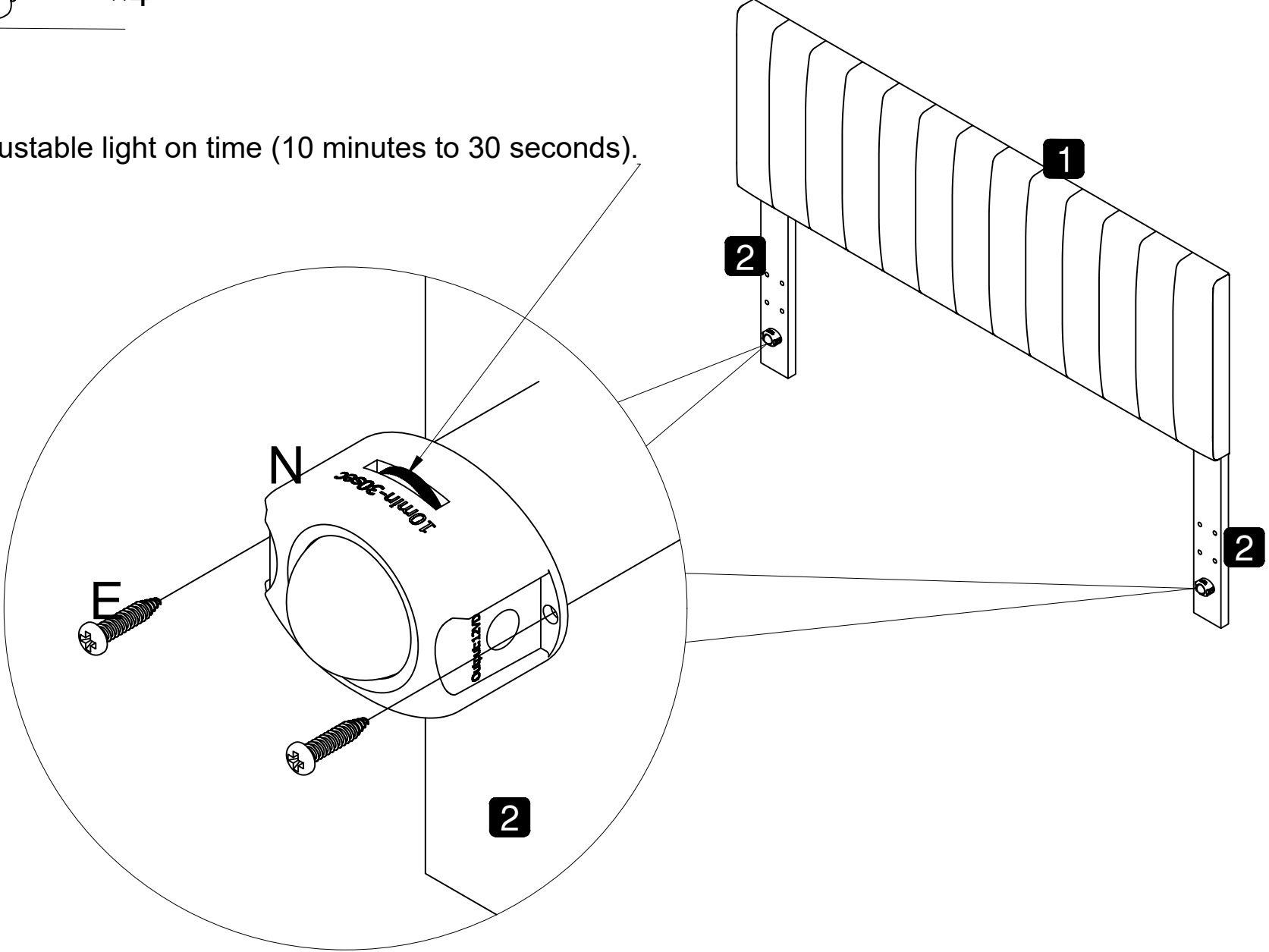
- B**  x4
- C**  x4
- L**  x1



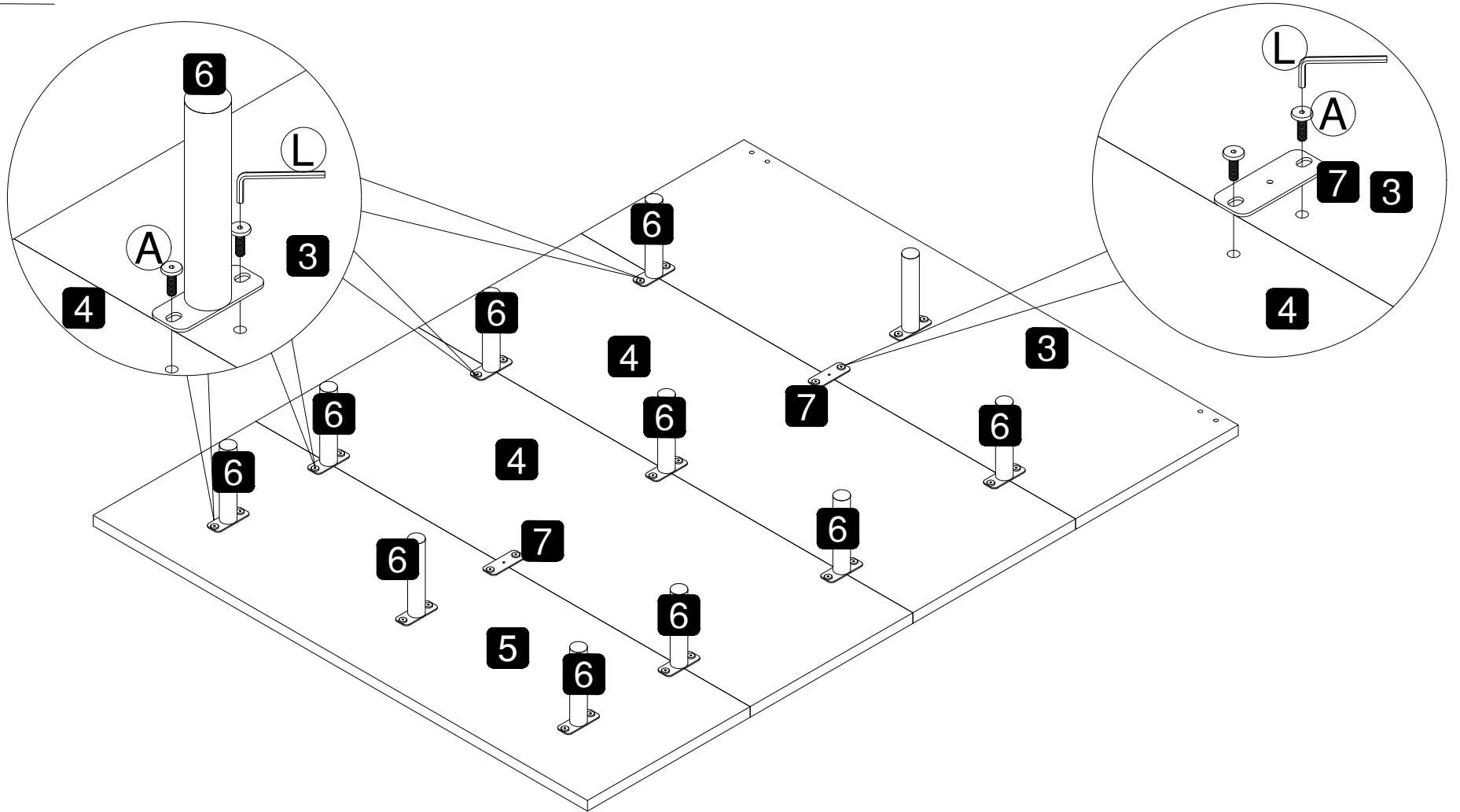
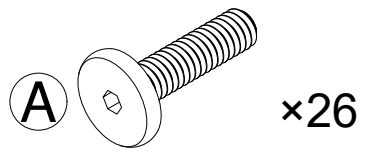
Step 2

- E**  x4

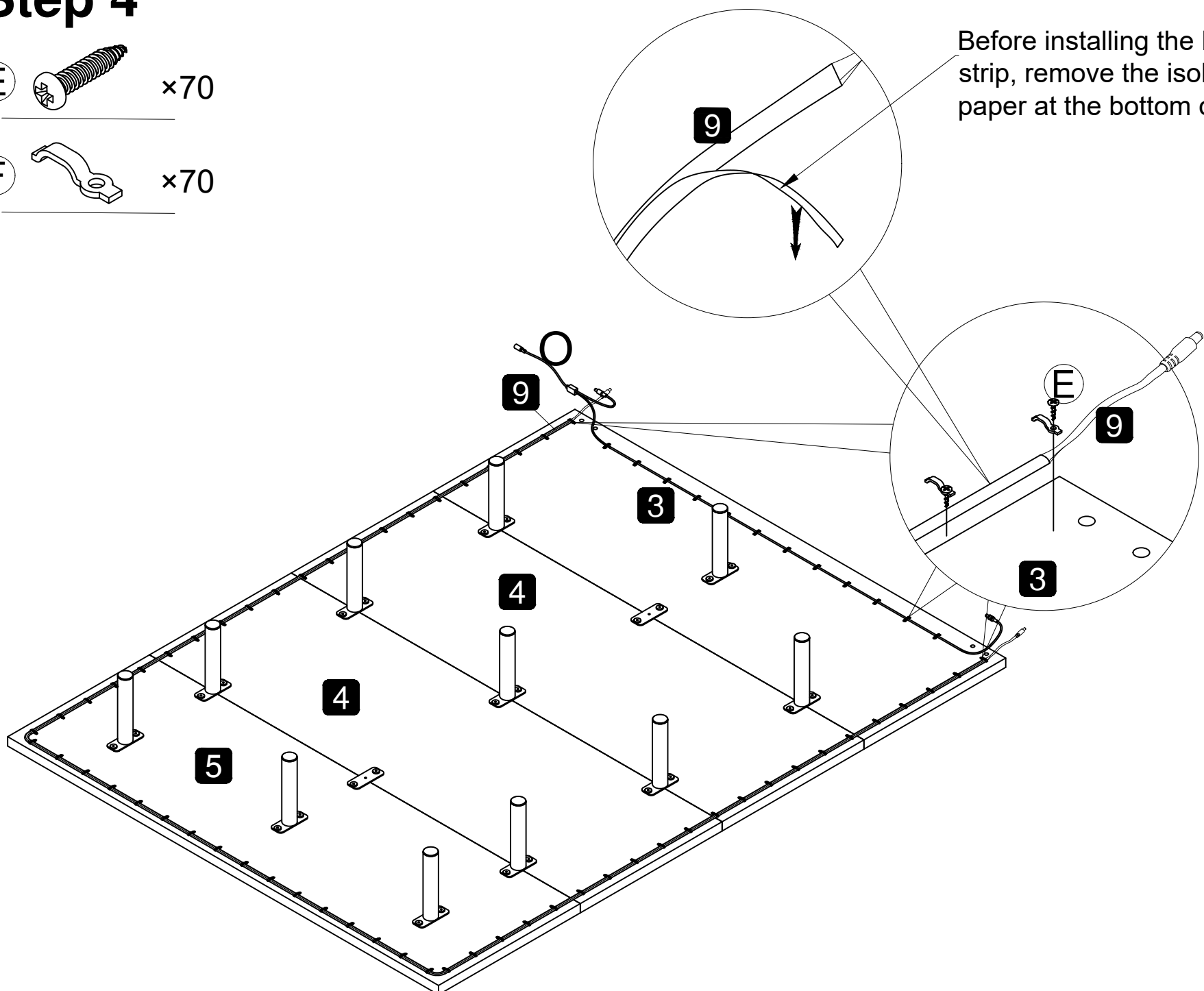
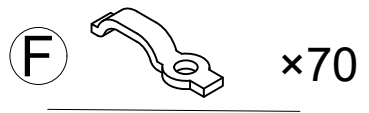
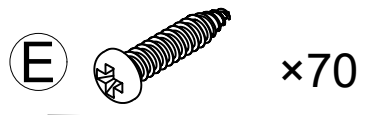
Adjustable light on time (10 minutes to 30 seconds).



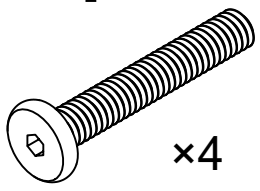
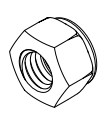
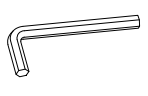
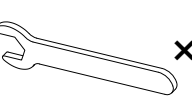
Step 3

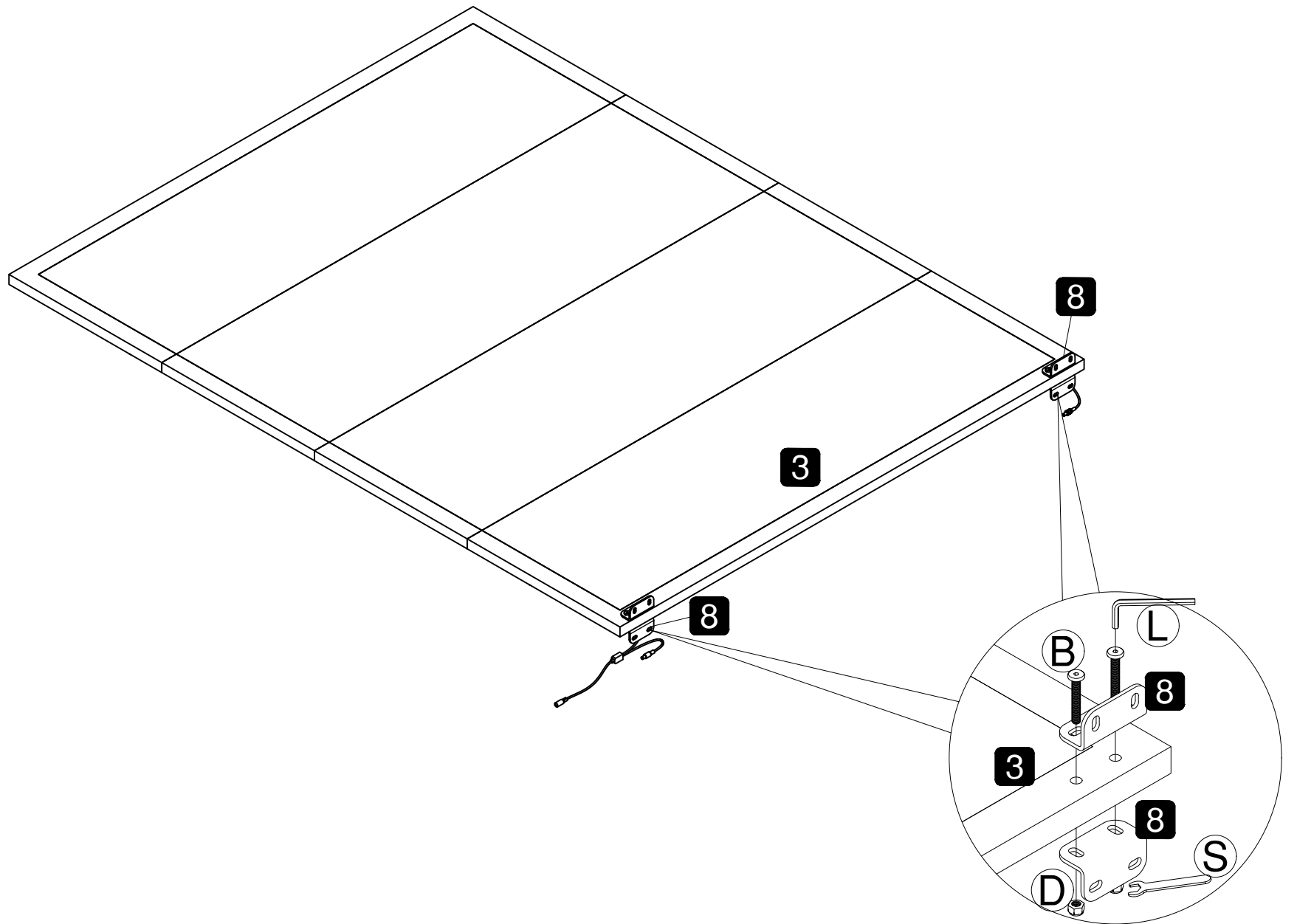


Step 4

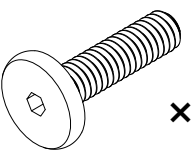



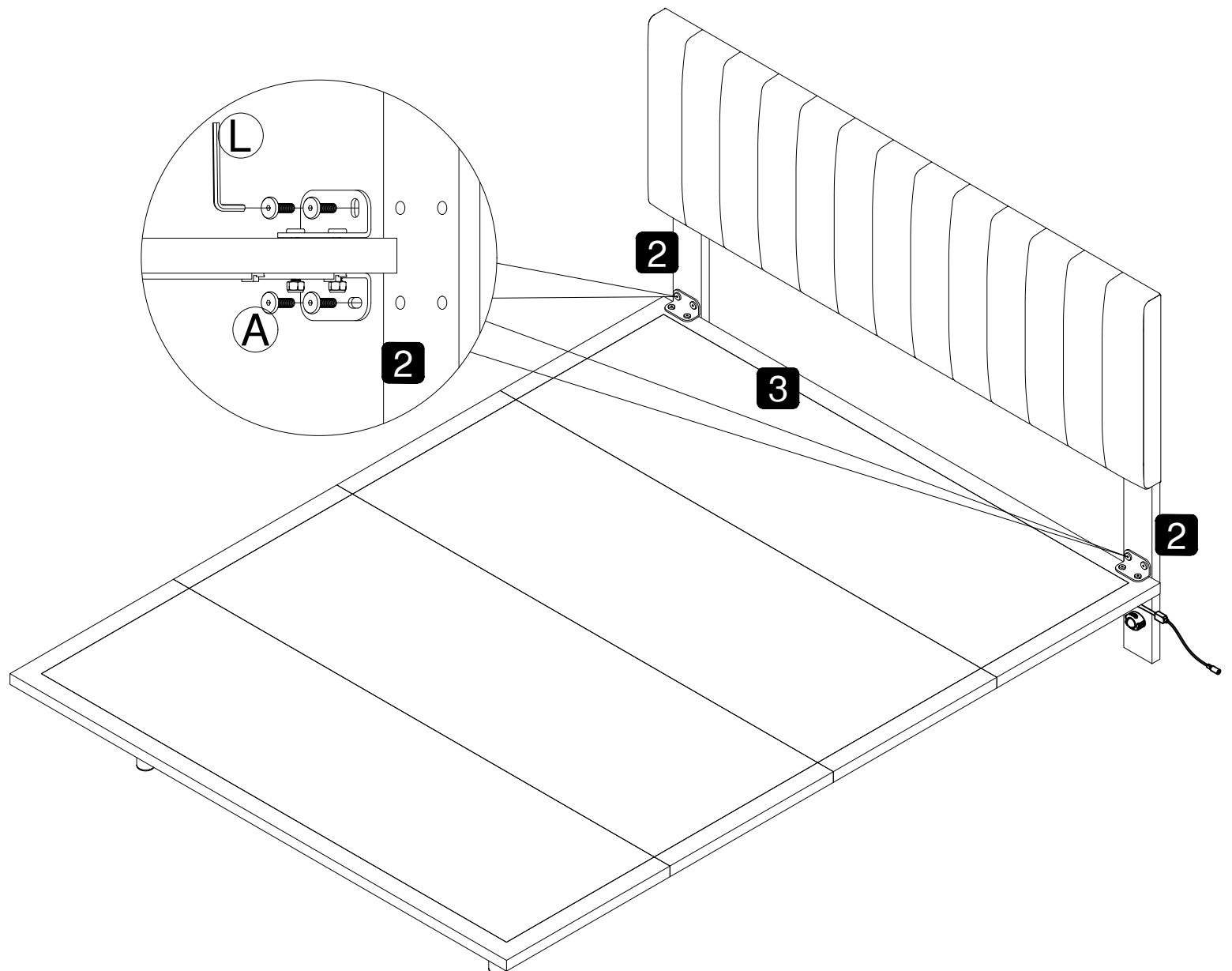
Step 5

- B**  x4
- D**  x4
- L**  x1
- S**  x1



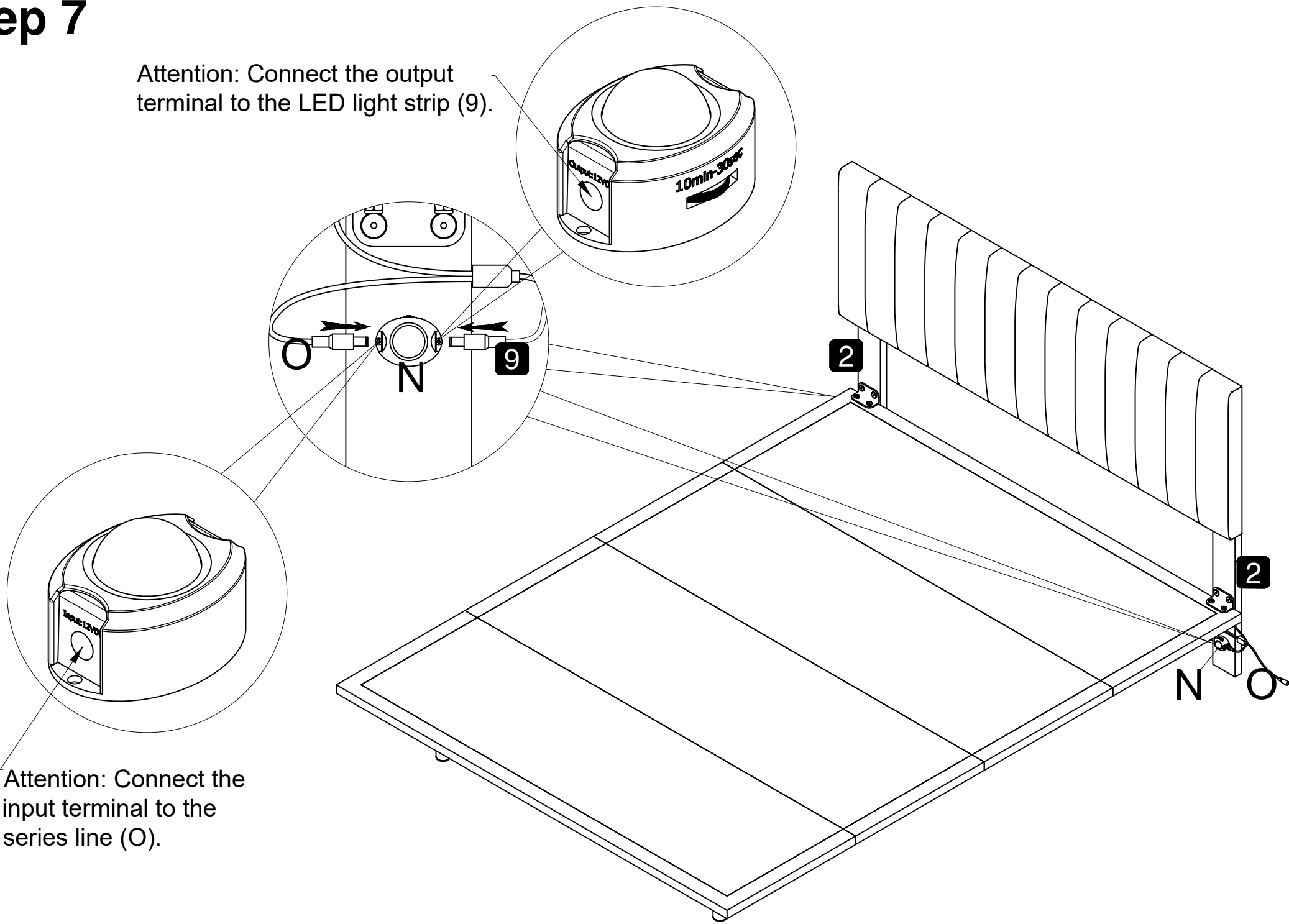
Step 6

- A**  x8
- L**  x1



Step 7

Attention: Connect the output terminal to the LED light strip (9).



Step 8

