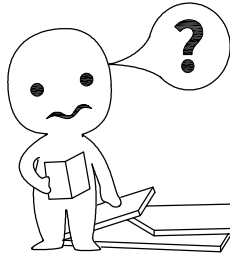


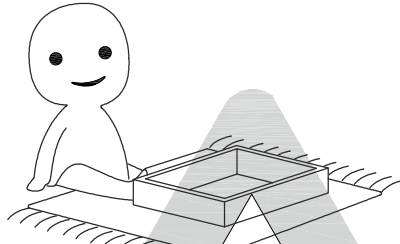
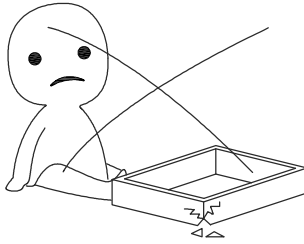
Reception Desk





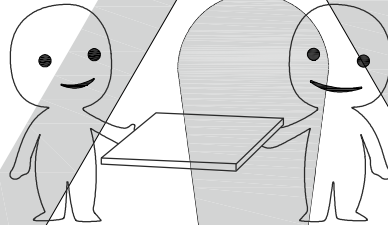
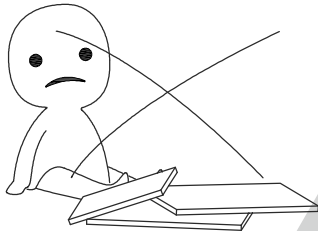
IMPORTANT INFORMATION!

please read the entire manual before starting to assemble and/or using this product. follow the manual thoroughly and keep it for further reference.



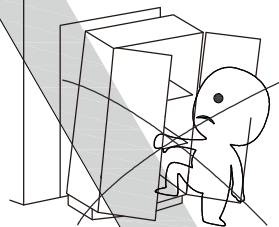
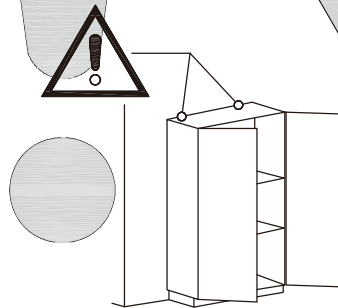
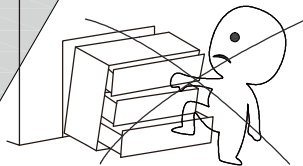
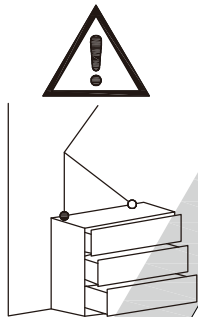
AVOID SCRATCHES!

In order to avoid scratching this furniture should be assembled on a soft layer—could be a rug.



IMPROVE EFFICIENCY !

Try to find a partner to install with you, which can speed up the installation efficiency and shorten the time.



ANTI-TOPPLE WARNING !

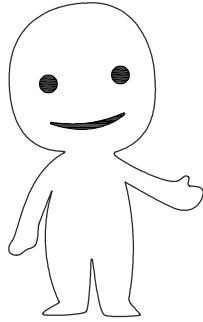
Overturned furniture can cause serious or fatal crush injuries. To prevent tipping over, be sure to use the wall attachment, if not included with this product. Please purchase the wall attachment that fit your wall. If unsure, seek professional advice. Please read and follow each step of the instructions carefully.

IMPORTANT !

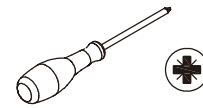
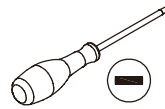
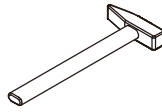
It is important that any product which is assembled using any kind of screw is re-tightened 2 weeks after assembly, and once every 3 months - in order to assure stability through-out the lifespan of the product.

For regular maintenance and cleaning of the product, for the frame, please use a rag dipped in neutral detergent to fully wipe it, and then dry it with a clean rag. For glass materials, wipe with a rag dampened with water glass cleaner, and then dry with a dry rag.

Do not use an electric screwdriver, and do not use too much force when installing, because the board is easy to break.

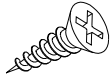


Please prepare the following tools



When installing, please carefully confirm whether each screw corresponds to the manual, accessories with similar shapes can be distinguished by size

A X 24+2



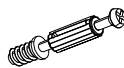
M3.5x12

B X 16+1



M5x40

C X 51+2



M5x42

D X 51+2



15x10

E X 1



M5

F X 6+1



6x40

G X 4



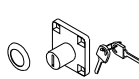
M4x96

H X 8+1



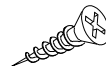
M4x18

I X 2



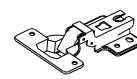
M5x42

J X 8+1



M3x18

K X 2



DW

L X 1



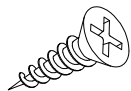
60

M X 20



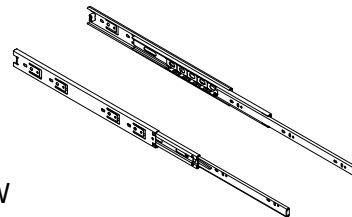
20x1

N X 12

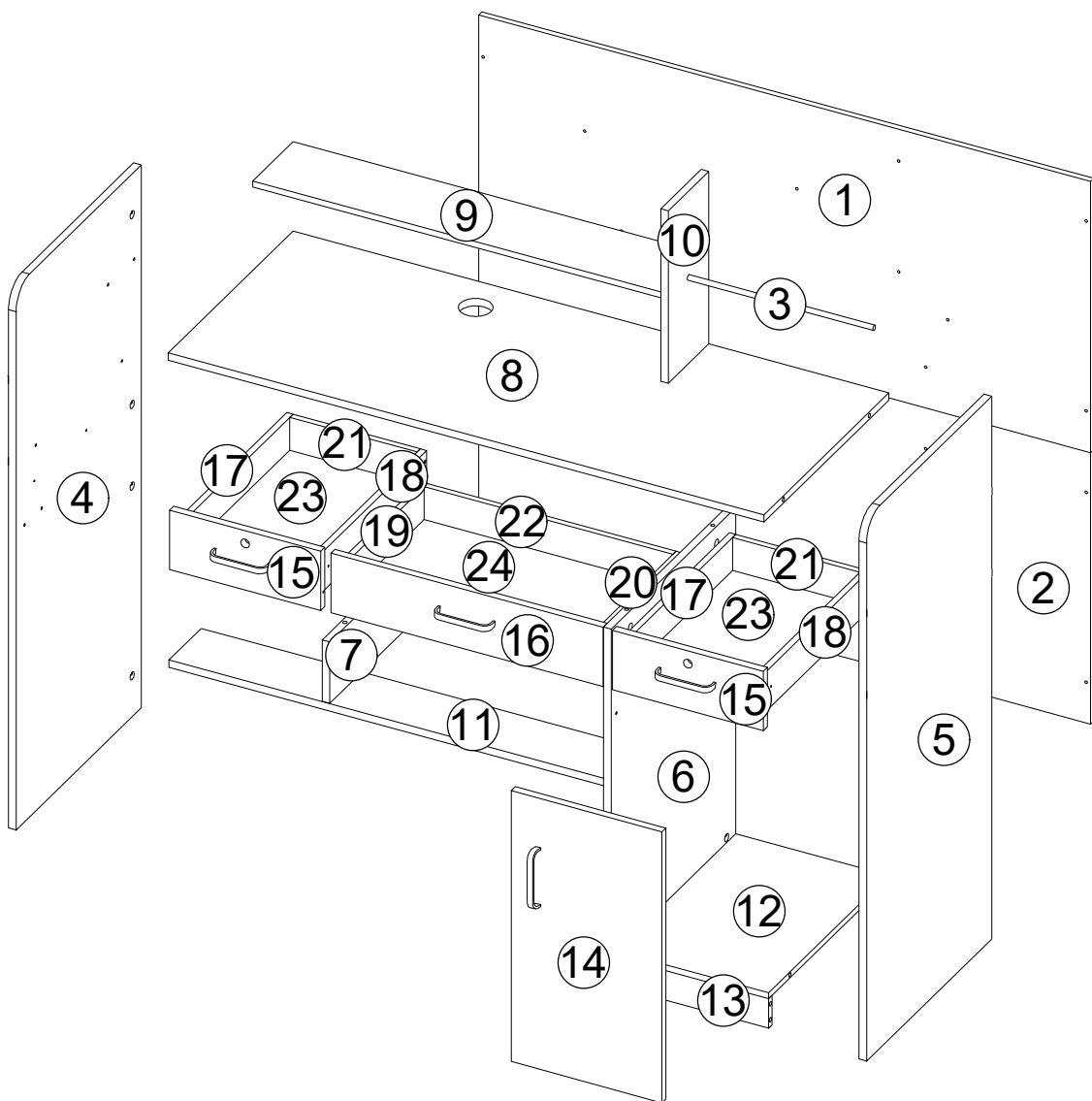


M3.5x14

25 x 3



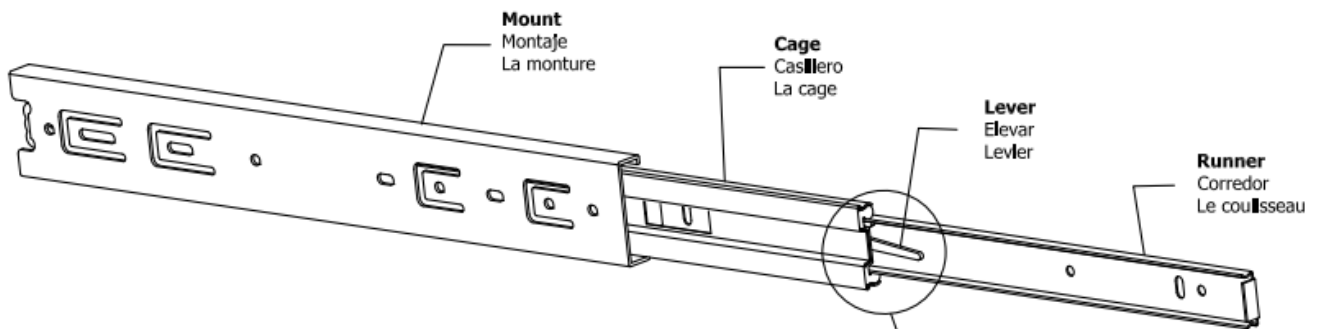
12" 3508W



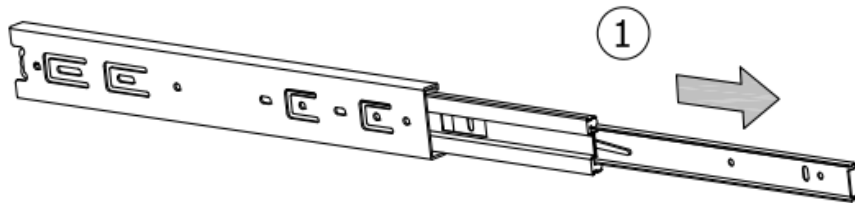
**Slides Must Be Separated Before Assembly.
After Separated, Set Aside Until Needed for Assembly.**

Las diapositivas deben separarse antes del montaje.
Después de la separación, déjelo a un lado hasta que sea necesario.

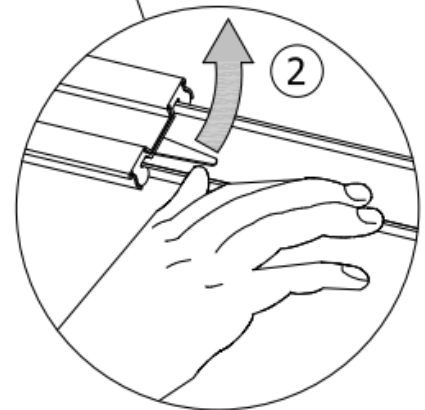
Les glissières doivent être séparées avant l'assemblage.
Après la séparation, mettez de côté jusqu'au moment de l'assemblage.



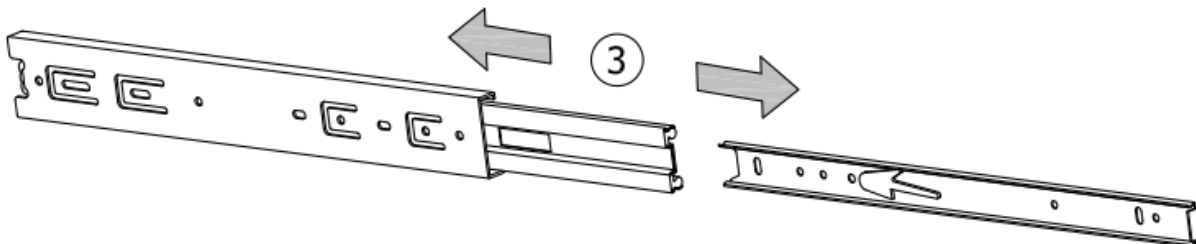
STEP 1: Extend Slide
Extender la diapositiva
Extendre la diapositive



STEP 2: Push Lever UP
Empujar hacia arriba
Lever le levier

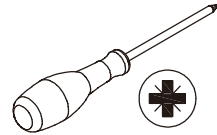


STEP 3: Remove Runner
Quitar el corredor
Enlever le coureur



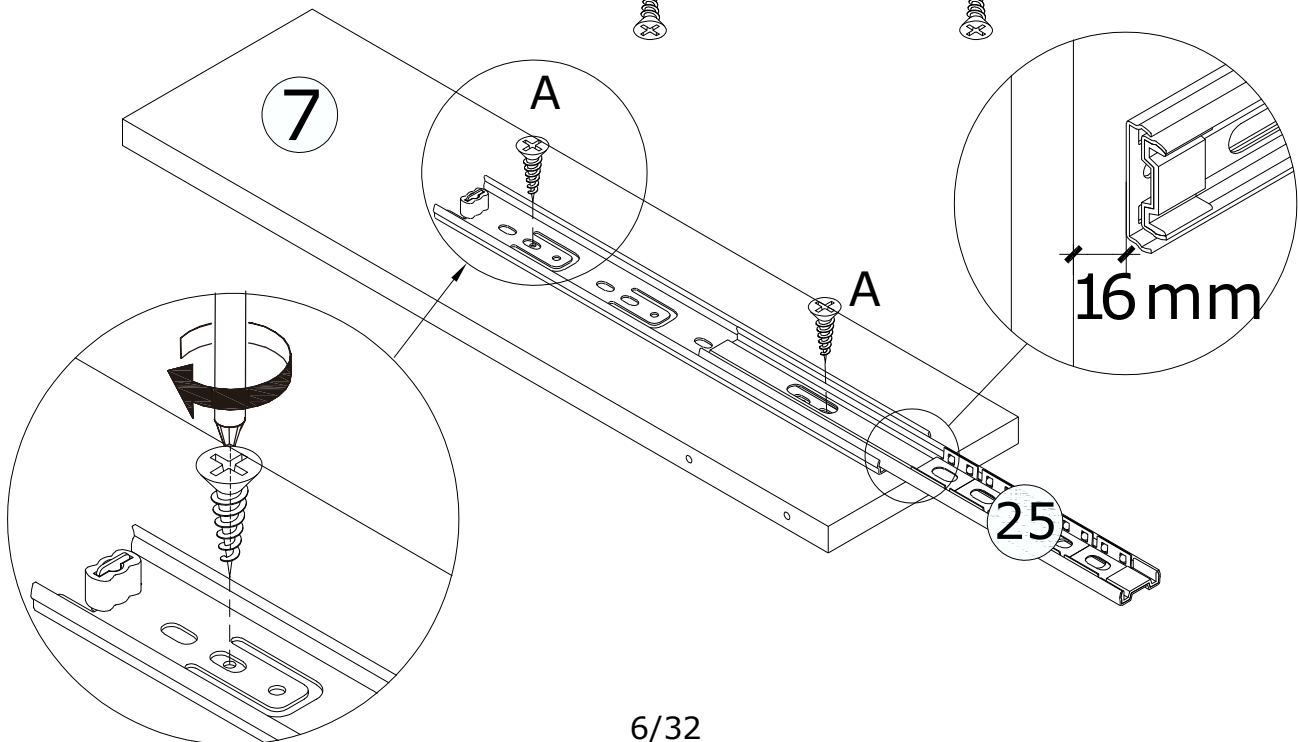
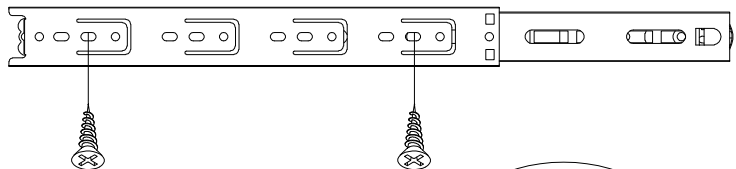
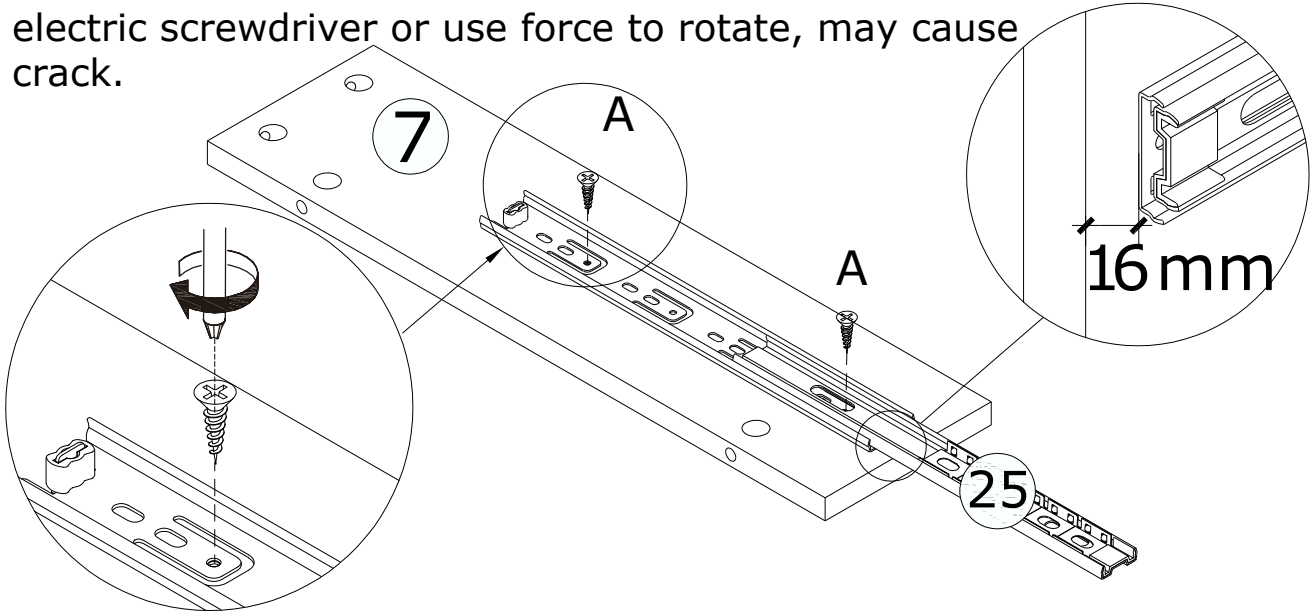
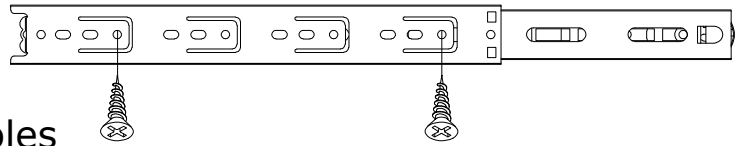
1

A X 4
M3.5x12



Separate glide, fix slide rail 25 to both sides of plate 7 with screw(A) as shown.

Please pay attention to the holes where the accessories are inserted and don't use an electric screwdriver or use force to rotate, may cause crack.

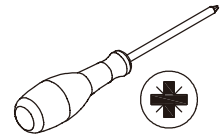


2

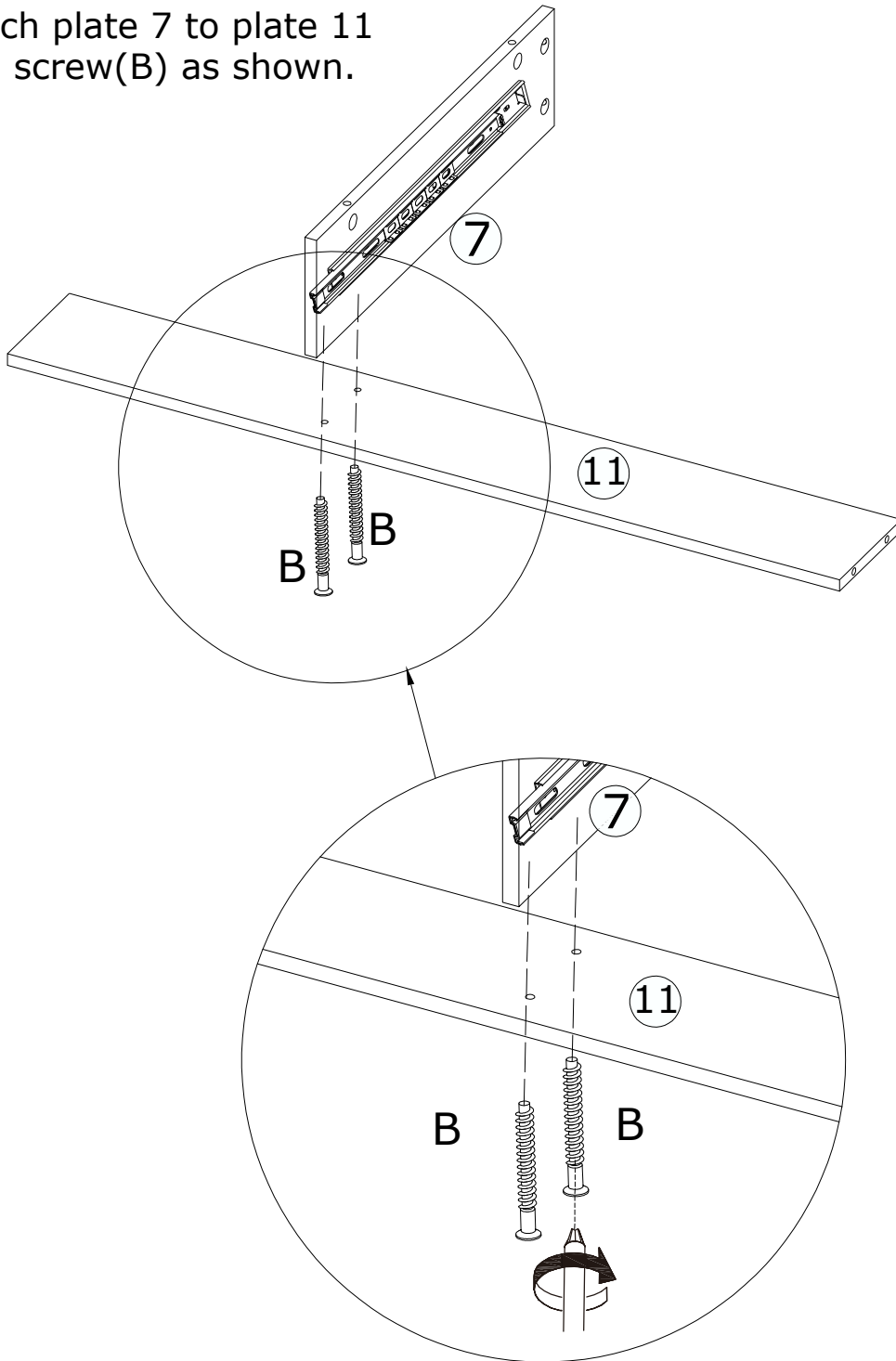
B X 2



M5x40



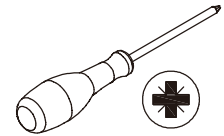
Attach plate 7 to plate 11
with screw(B) as shown.



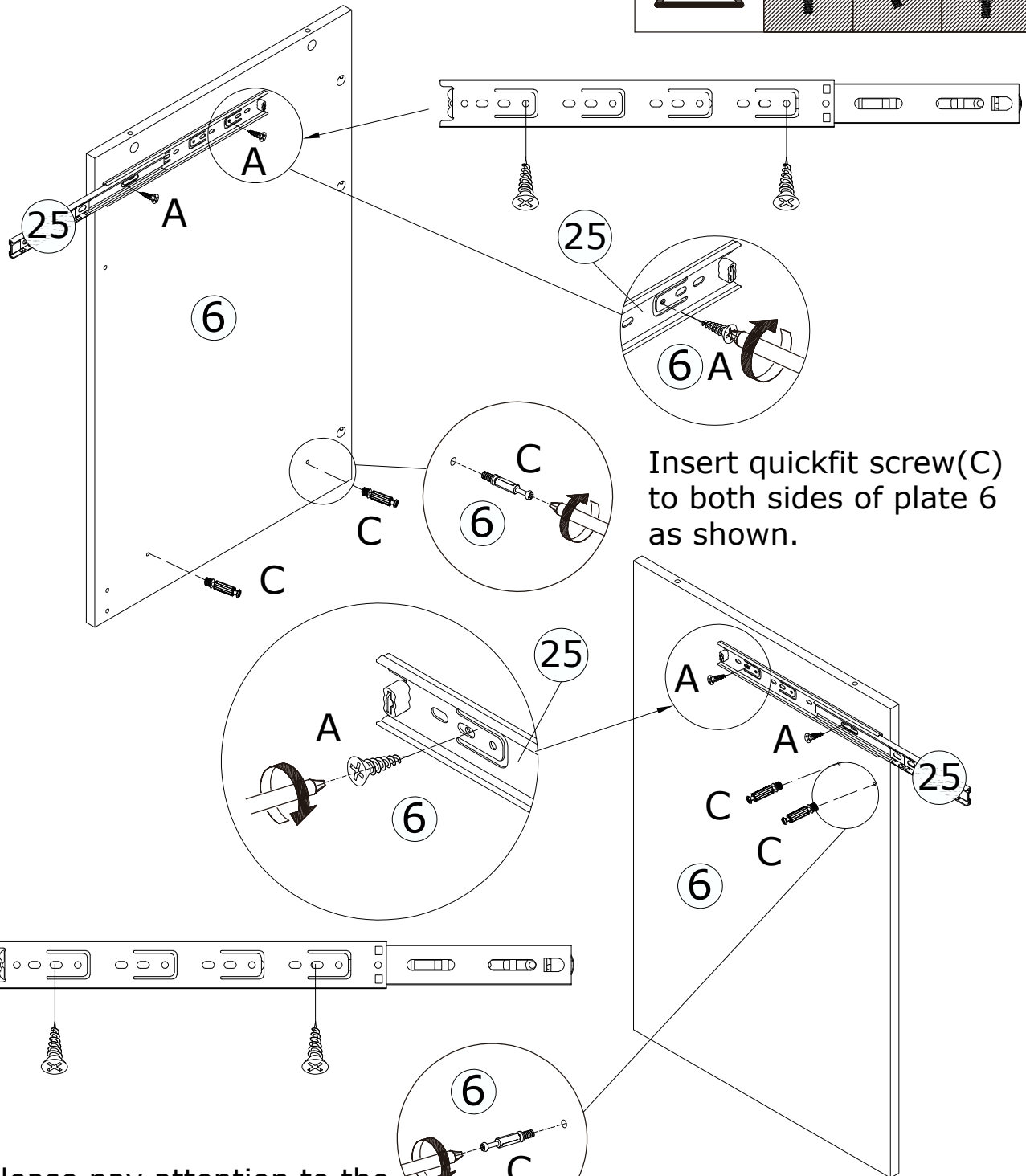
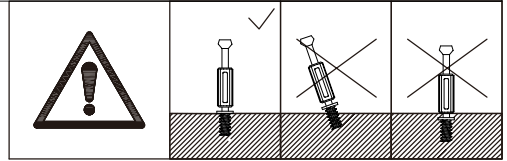
3

A X 4
M3.5x12

C X 4
M5x42



Fix slide rail 25 to both sides of plate 6 with screw(A) as shown.

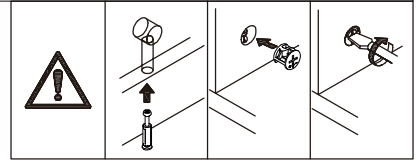
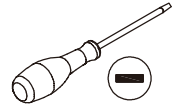


Insert quickfit screw(C) to both sides of plate 6 as shown.

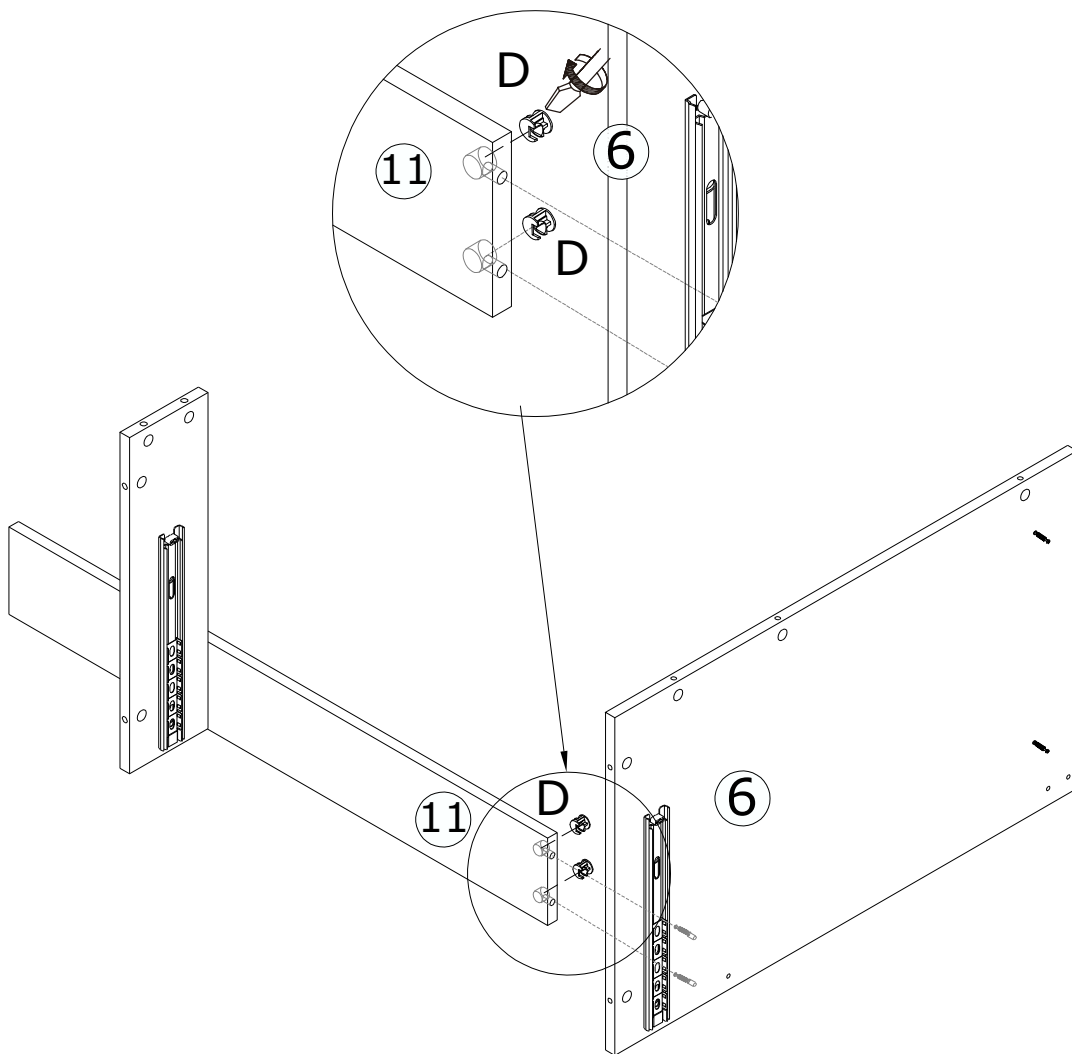
Please pay attention to the holes where the accessories are inserted.

4

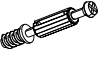


D X 2
15x10

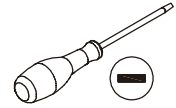
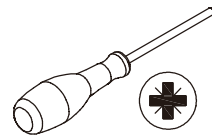


Attach plate 6 to plate 11, turn cam locks(D) clockwise to tighten as shown.

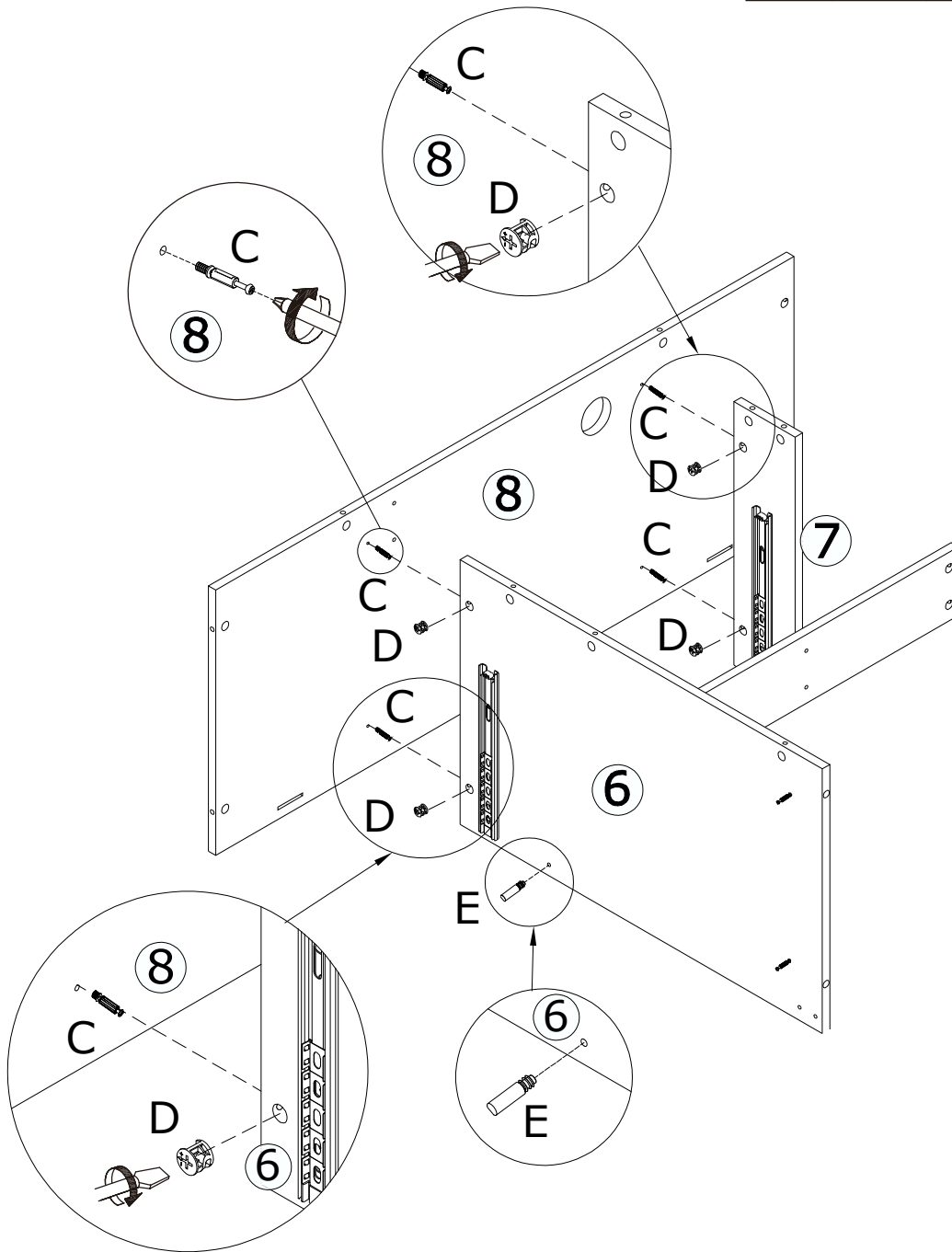
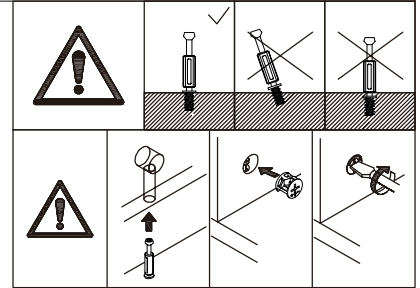


5

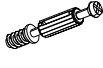

C X 4	D X 4	E X 1
		
M5x42	15x10	M5

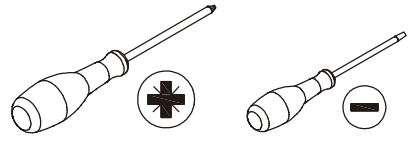


Insert quickfit screw(C) to plate 8. Attach plate 8 to plate 6 and 7, turn cam locks(D) clockwise to tighten as shown. Insert screw(E) into the corresponding hole of plate 6 as shown.

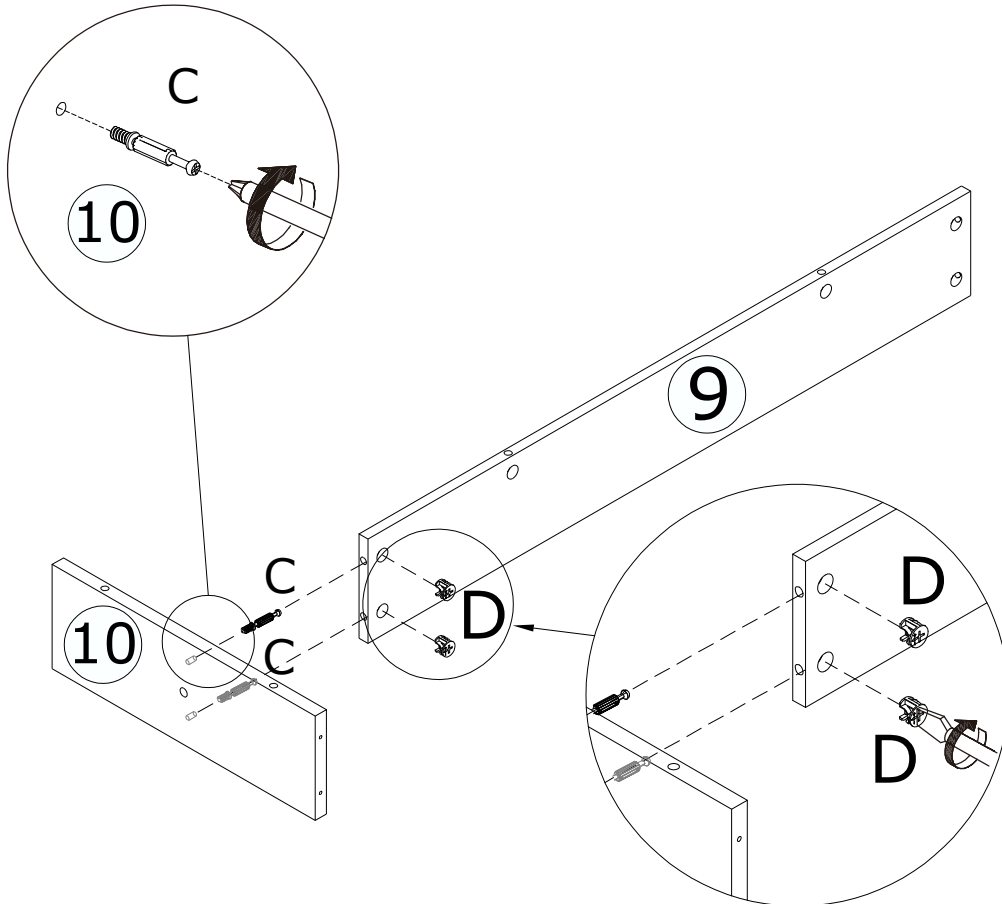
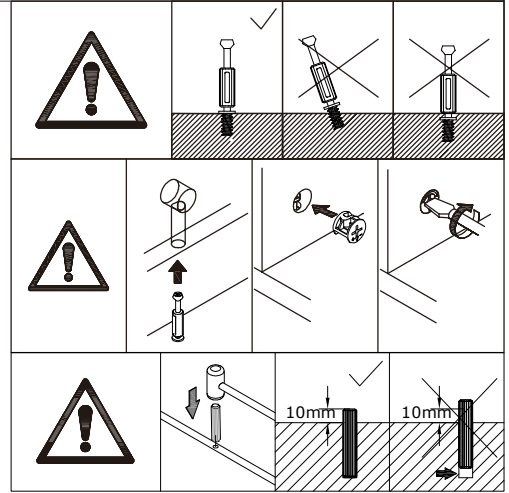


6

C X 2	D X 2
	
M5x42	15x10



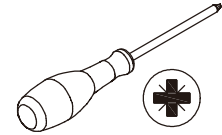
Insert quickfit screw(C) to plate 10.
Attach plate 10 to plate 9, turn cam
locks(D) clockwise to tighten as shown.



7

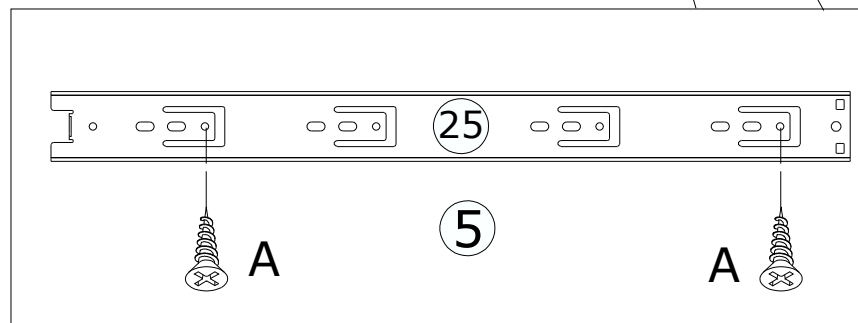
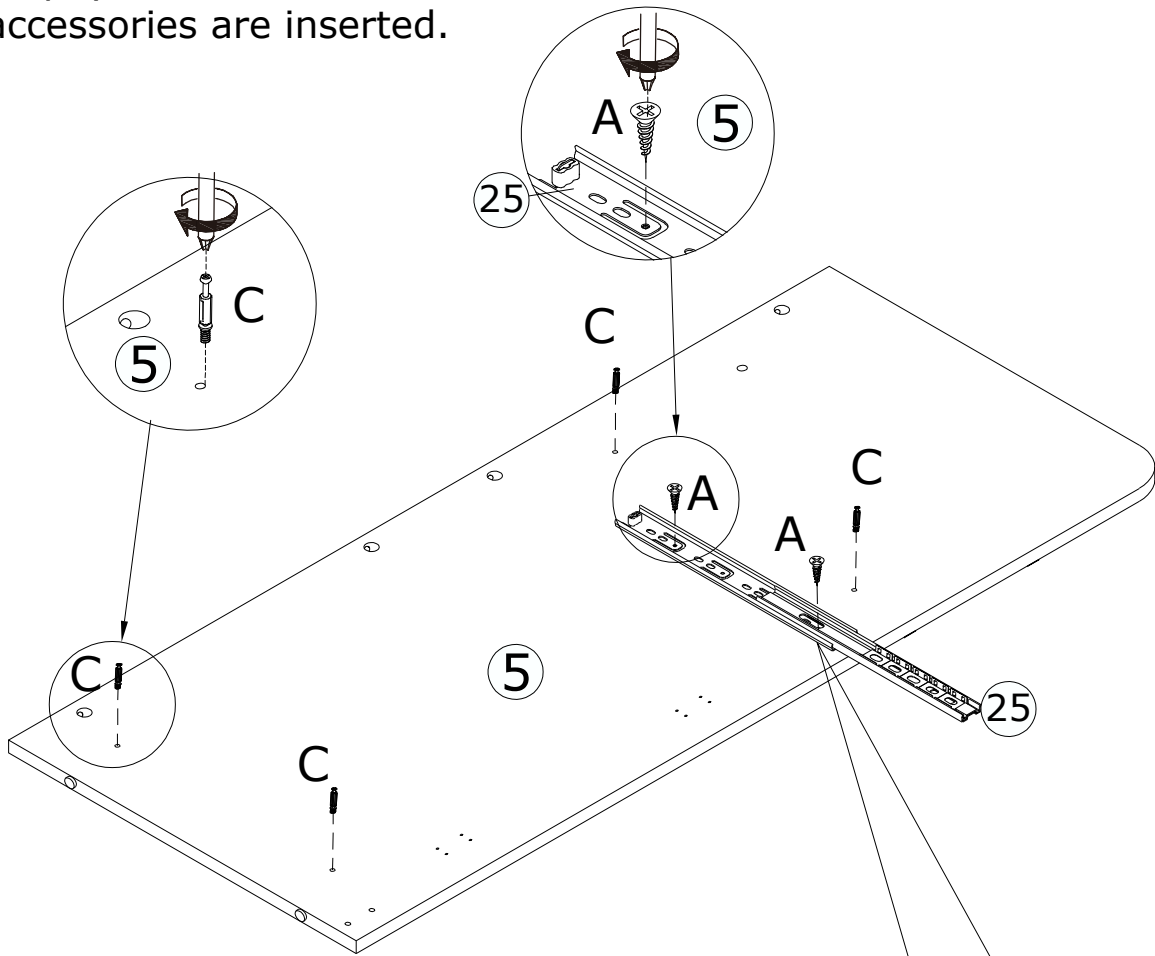
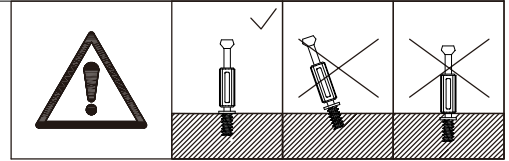
A X 2
M3.5x12

C X 4
M5x42



Fix slide rail 25 to plate 5 with screw(A).
Insert quickfit screw(C) into plate 5 as
shown.

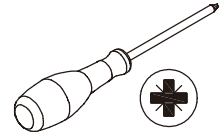
Please pay attention to the holes where
the accessories are inserted.



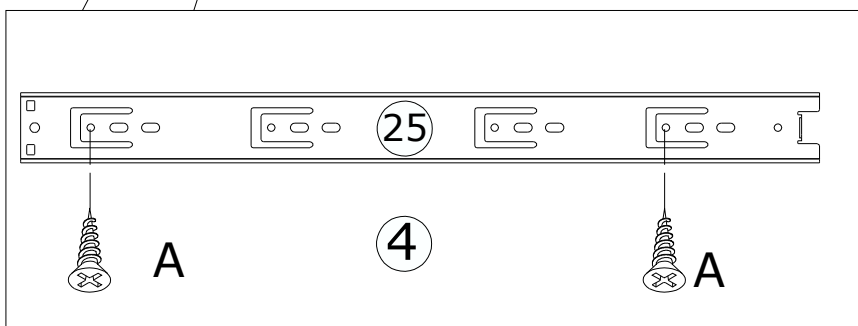
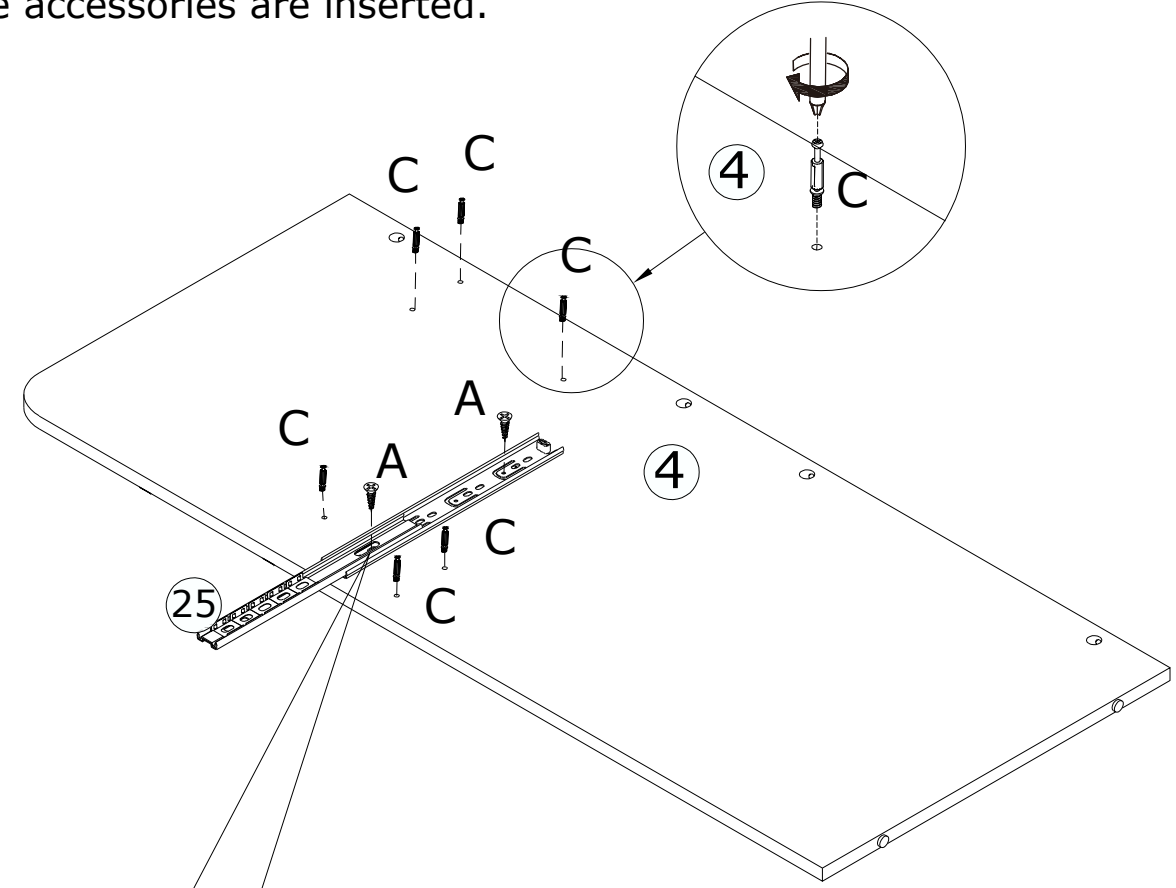
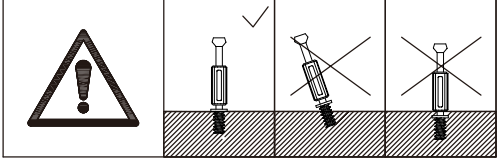
8

A X 2
M3.5x12



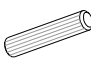
C X 6
M5x42

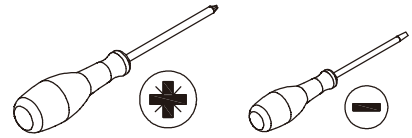


Fix slide rail 25 to plate 4 with screw(A).
Insert quickfit screw(C) into plate 4 as
shown.
Please pay attention to the holes where
the accessories are inserted.

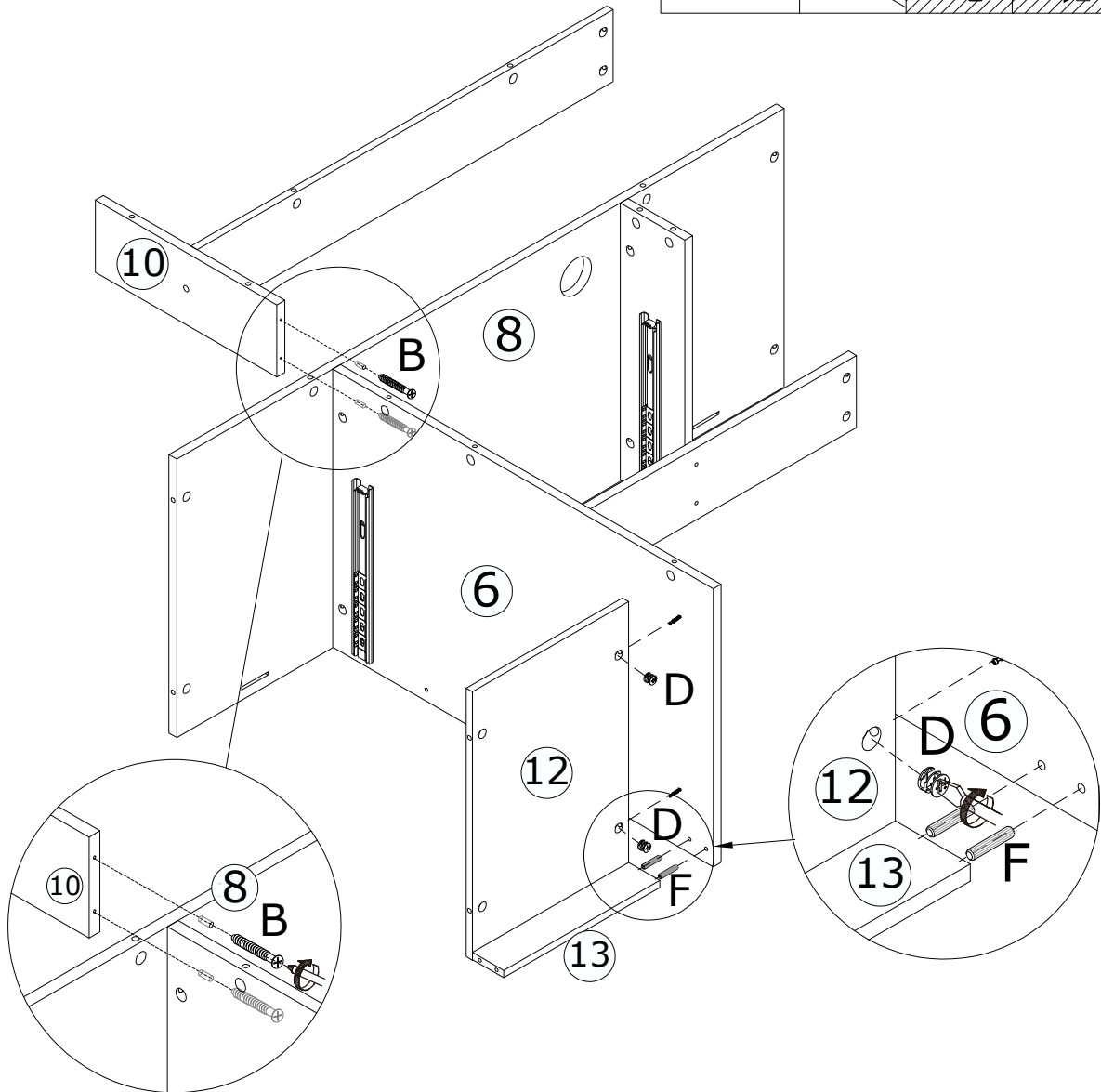
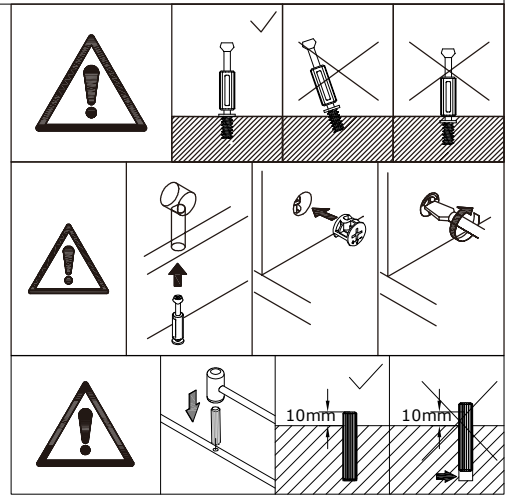


9

B X 2  M5x40	D X 2  15x10	F X 2  6x40
---	---	--

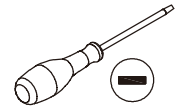


Attach plate 12 to plate 6, turn cam locks(D) clockwise to tighten.
 Attach plate 13 to plate 6 with wooden dowel(F) as shown.
 Attach plate 10 to plate 8 with screw(B) as shown.

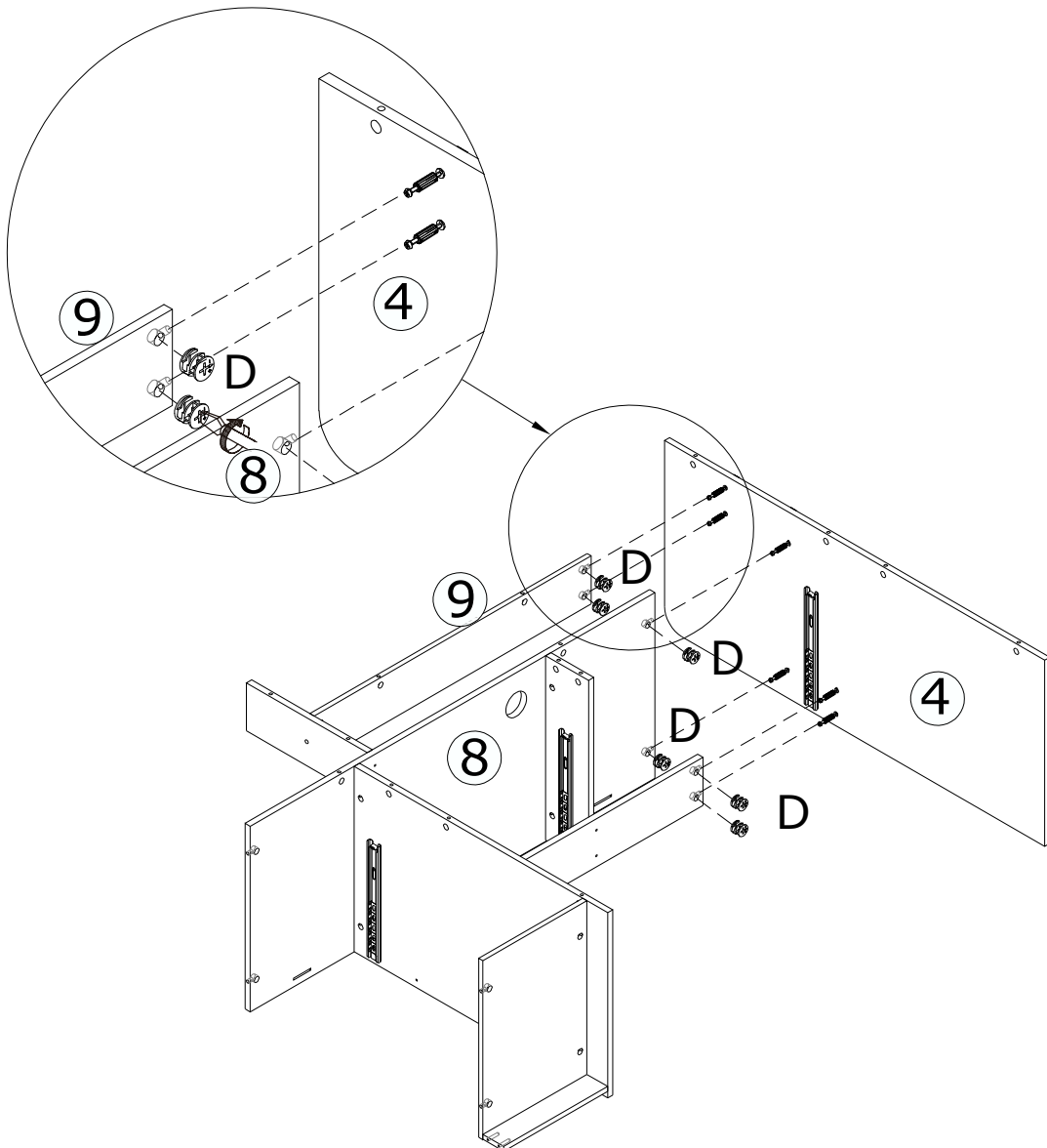
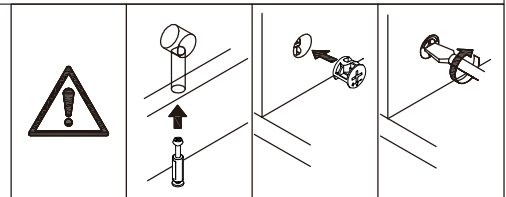


10



D X 6
15x10

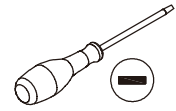


Attach plate 4 to the component and turn cam locks(D) clockwise to tighten as shown.

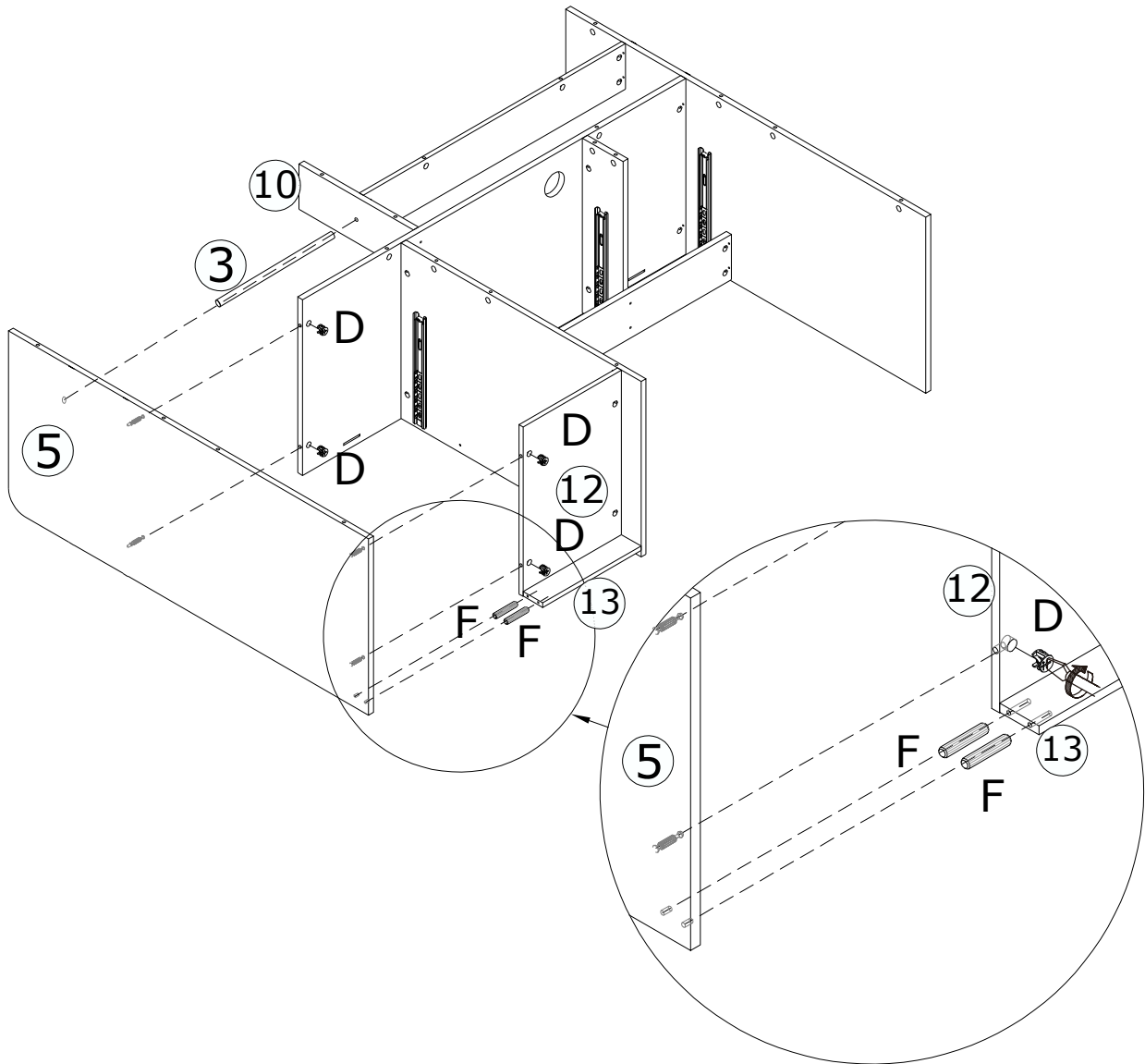
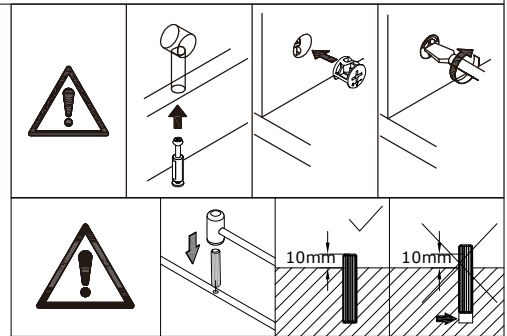


11

D X 4	F X 2
	
15x10	6x40

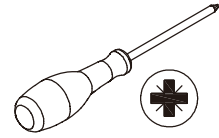
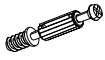


Cover plate 5 to plate 8,12,13 and plank 3 with wooden dowel(F),turn cam locks(D) clockwise to tighten as shown.

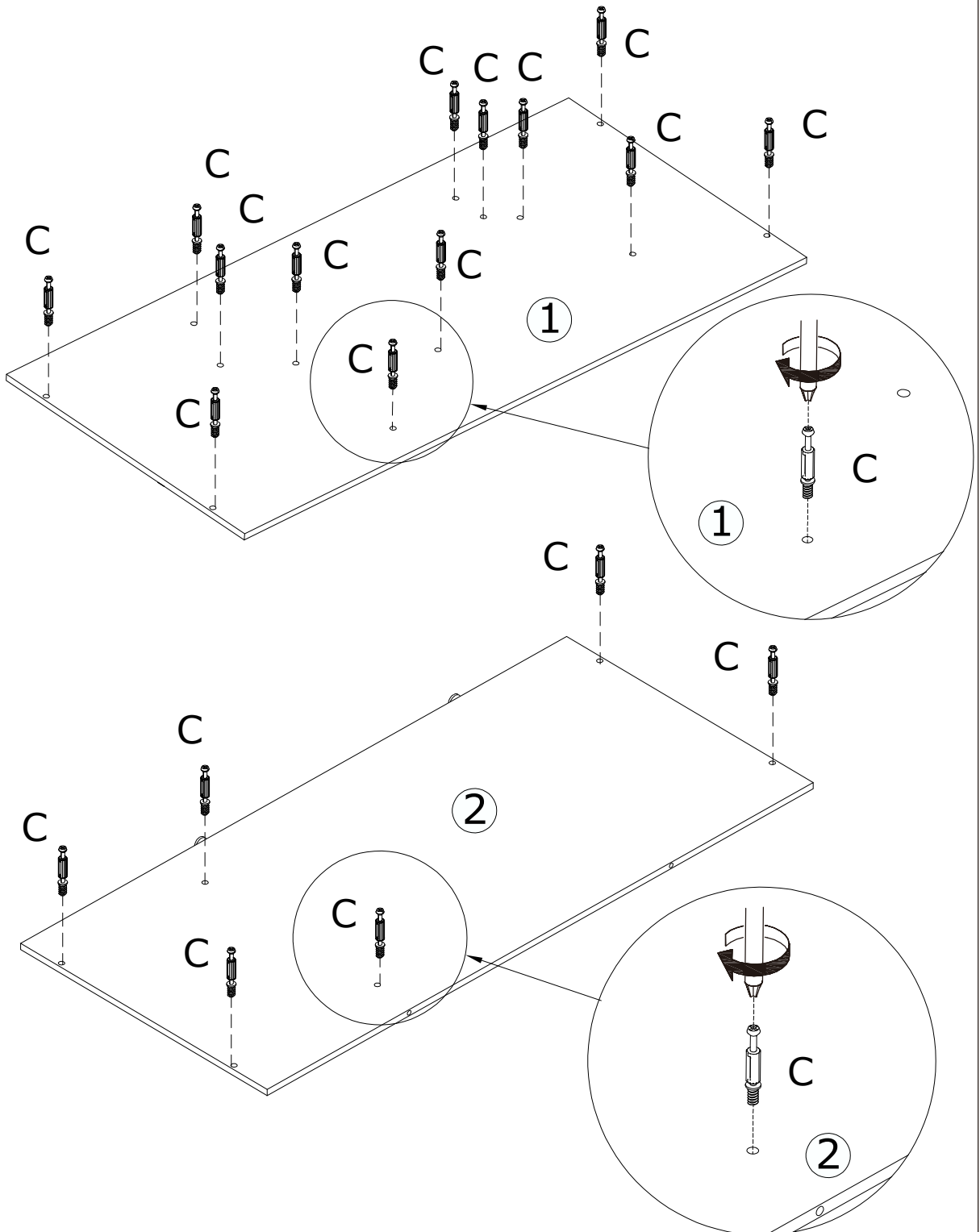
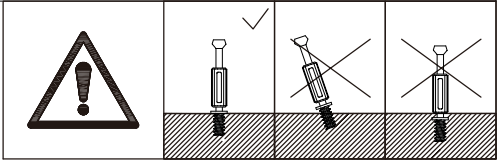


12

C X 19
M5x42

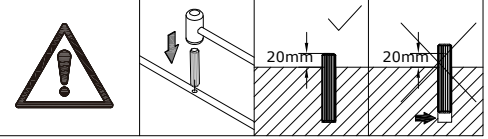
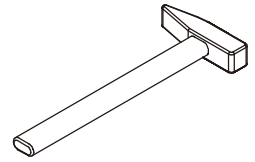


Insert quickfit screw(C) to plate 1 and 2 as shown.

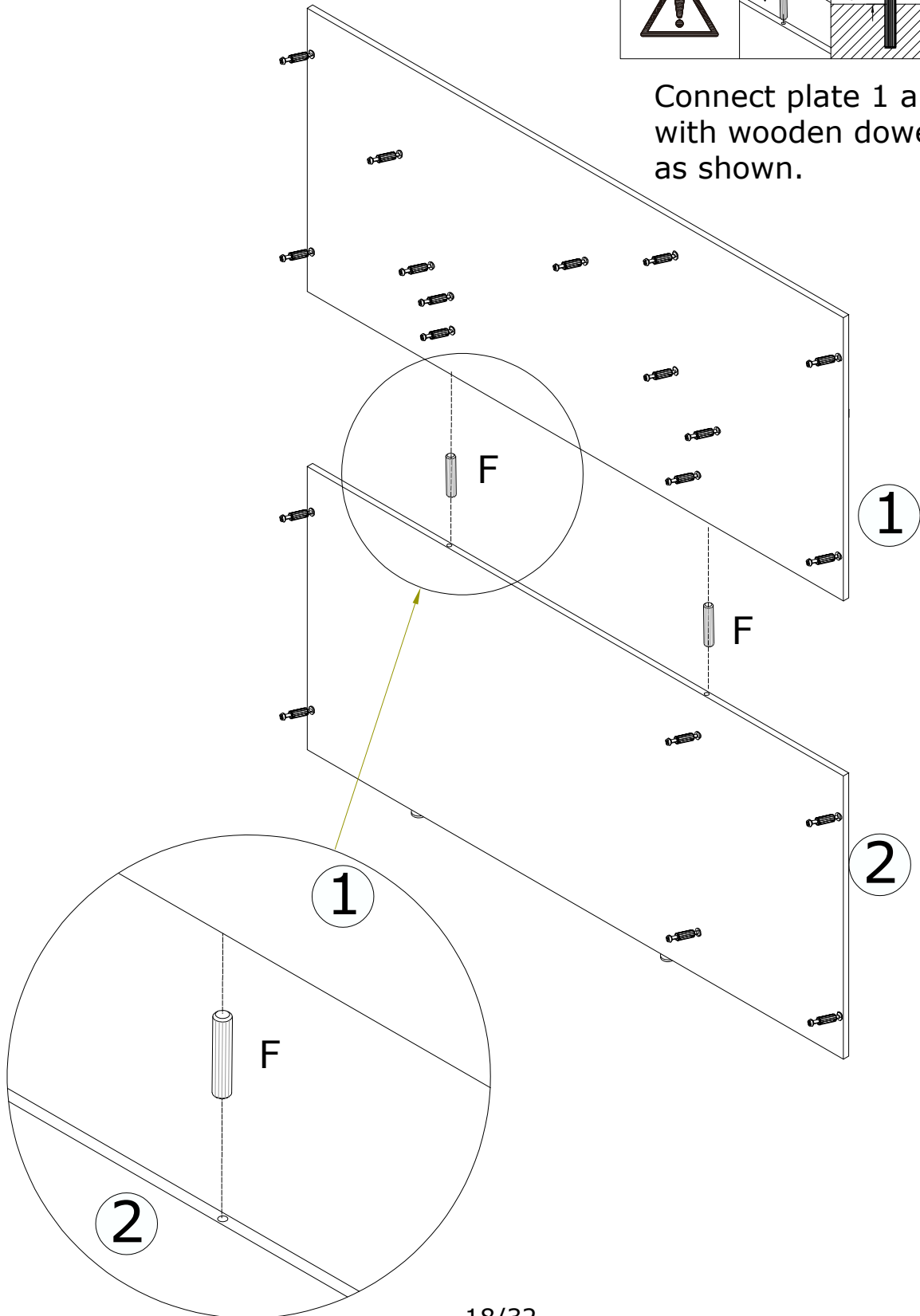


13

F X 2
6x40

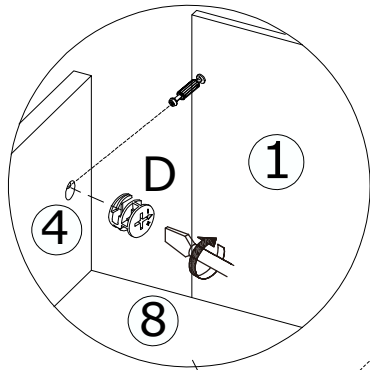
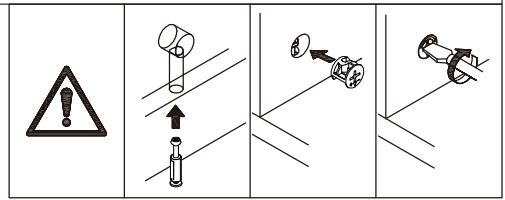
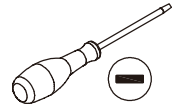


Connect plate 1 and 2 with wooden dowel(F) as shown.

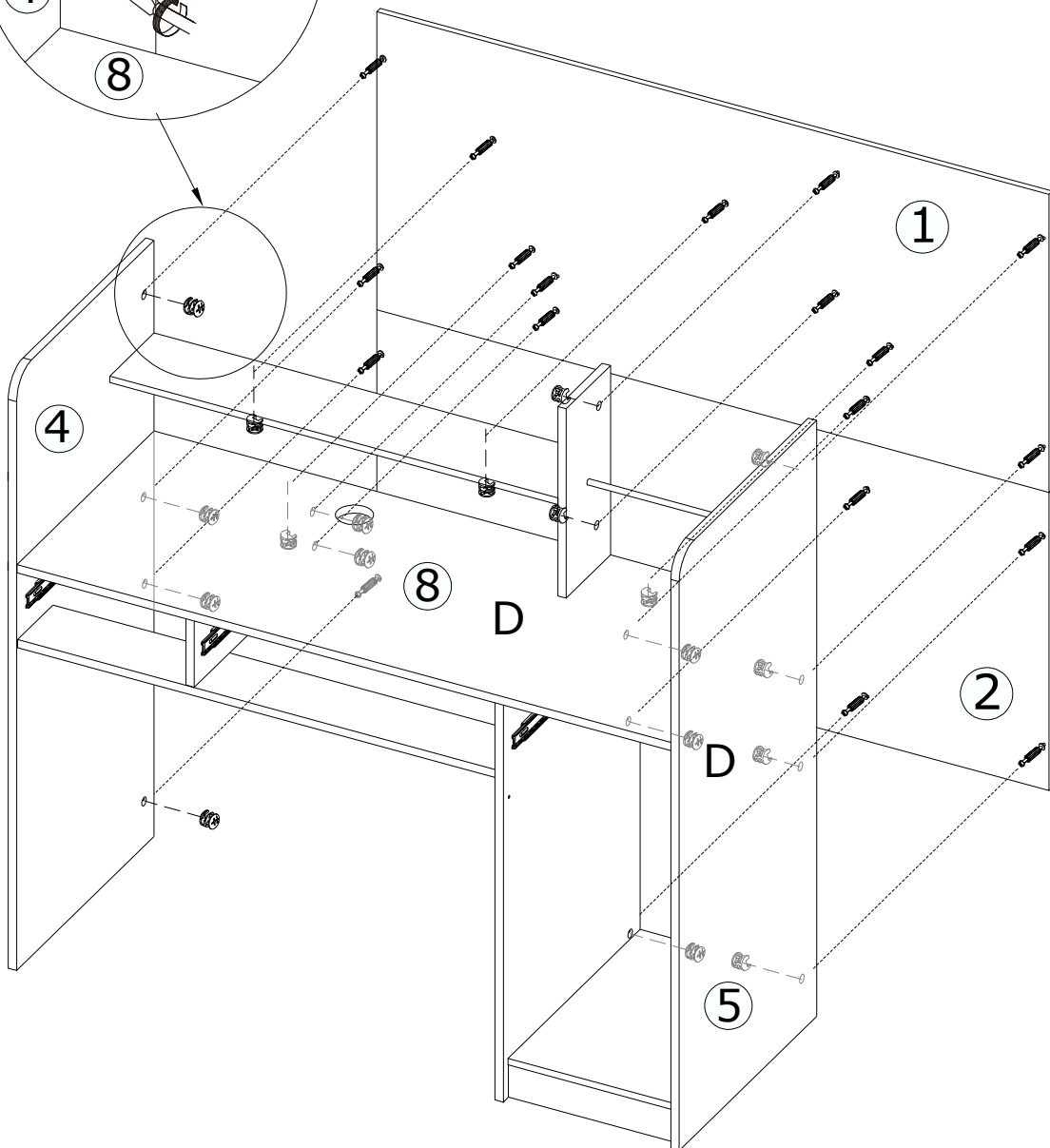


14

D X 19
15x10



Attach plate 1 and 2 to the component and turn cam locks(D) clockwise to tighten as shown.

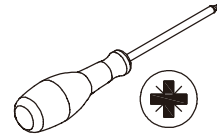


15

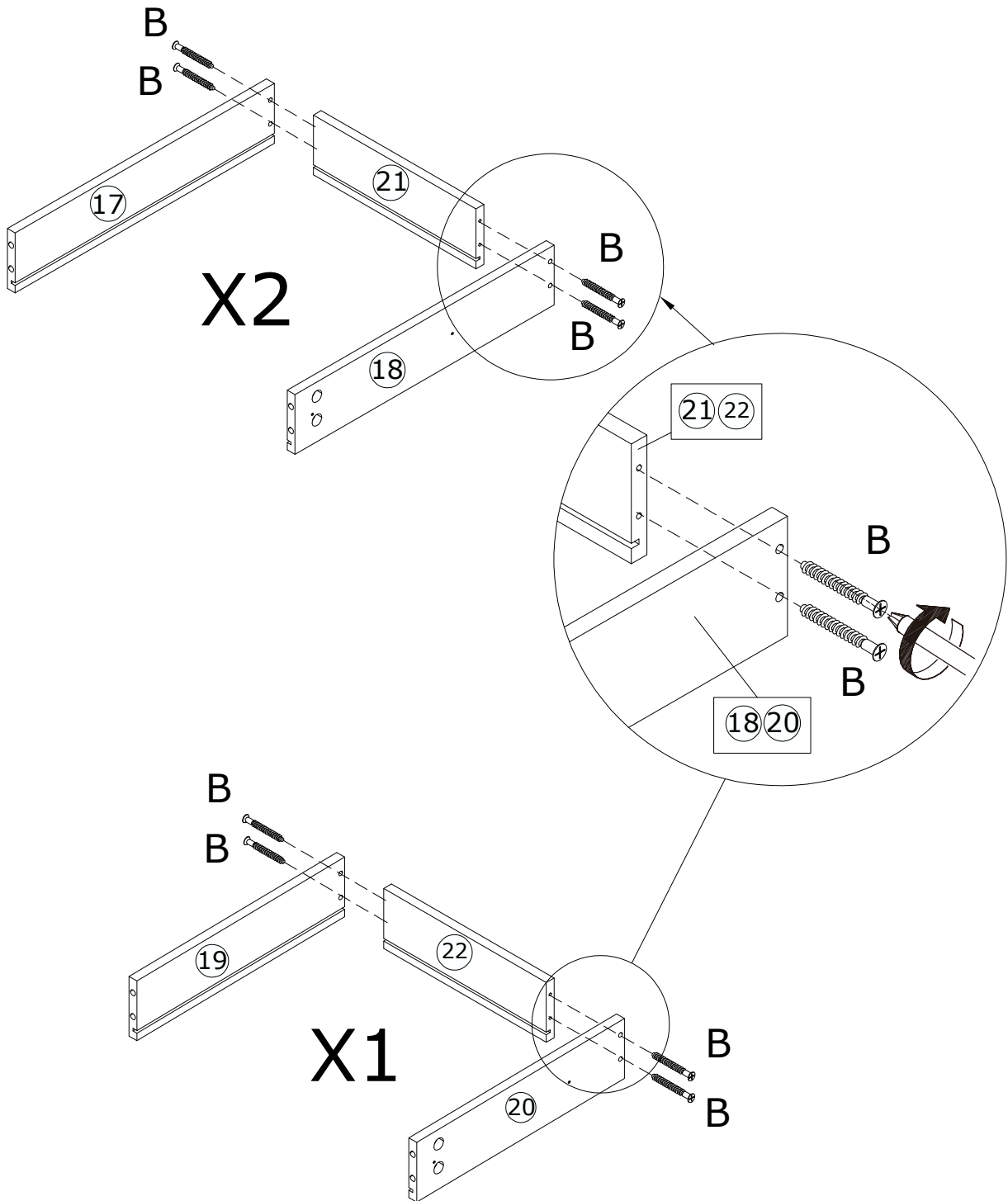
B X 12



M5x40

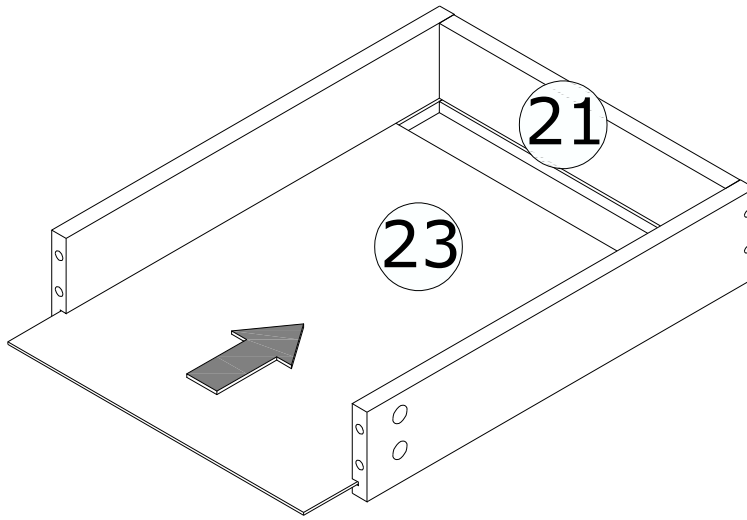


Attach plate 17 and 18 to plate 21 with screw(B),
attach plate 19 and 20 to plate 22 with screw(B)
as shown.

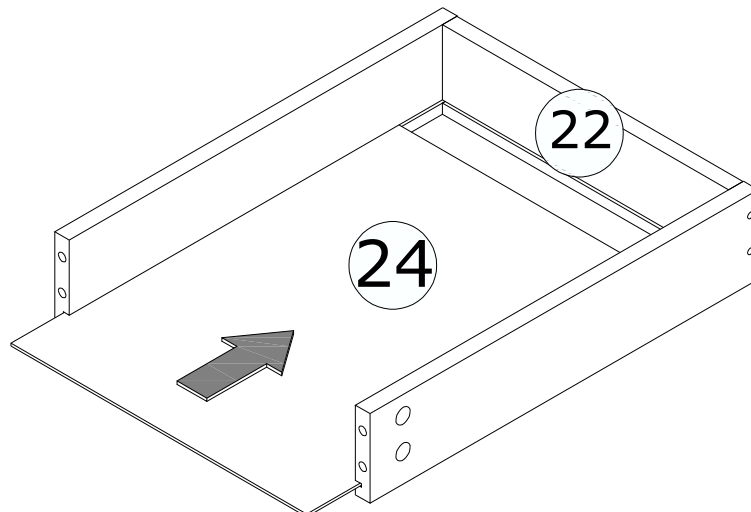


16

Slide plate 23 and 24 into available slots respectively as shown.



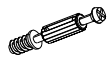
X2



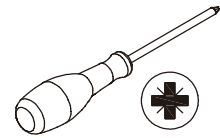
X1

17

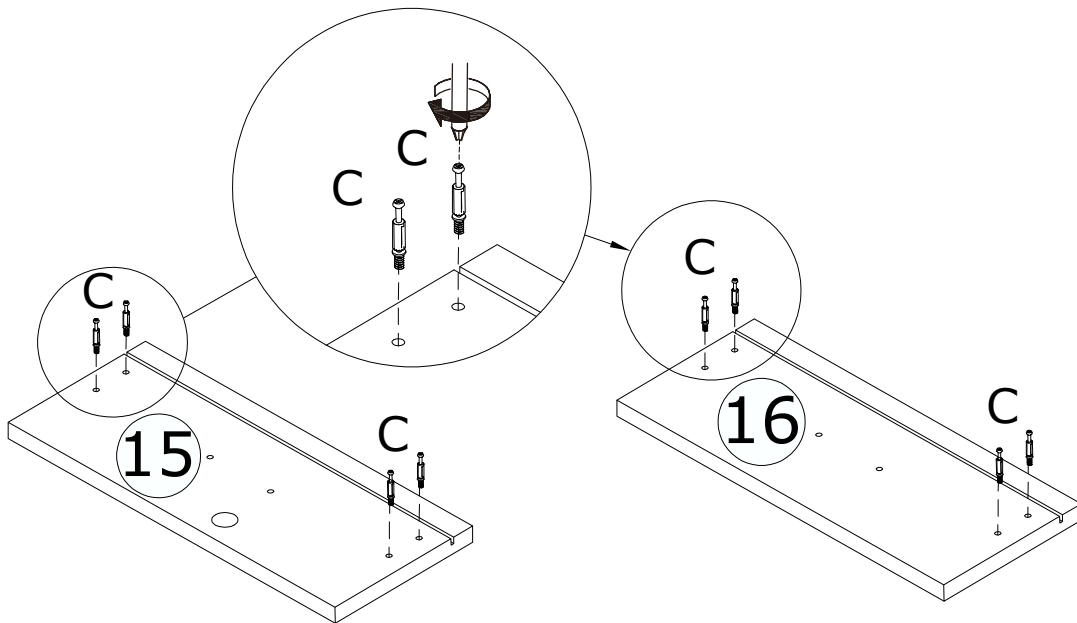
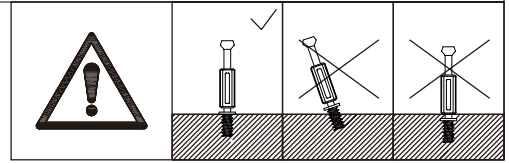
C X 12



M5x42






Insert quickfit screw(C) to plate 15 and 16 respectively as shown.

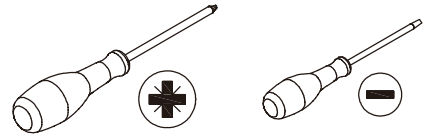


X2

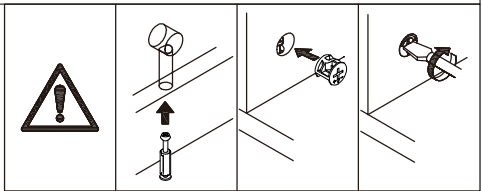
X1

18

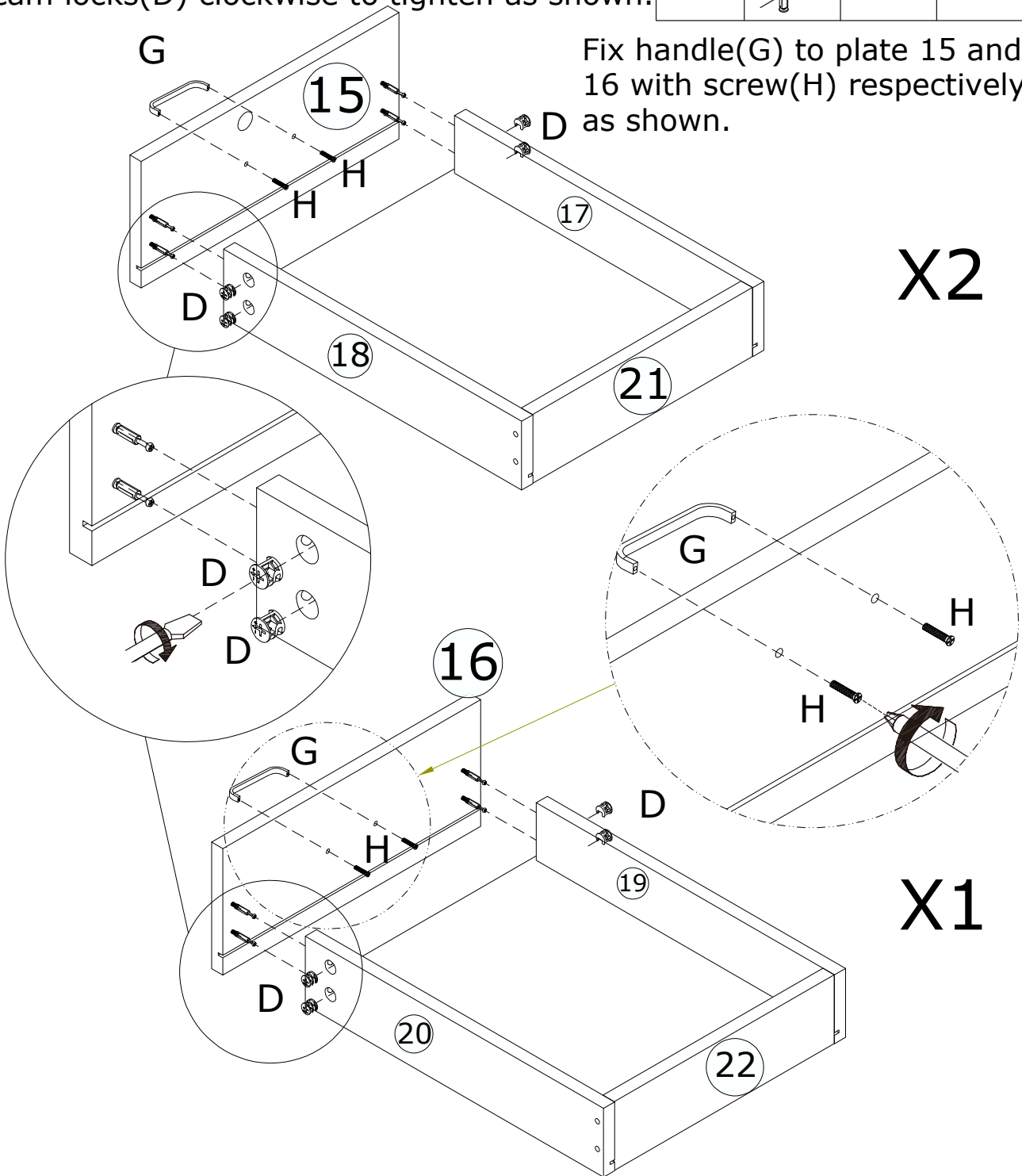
D X 12	G X 3	H X 6
		
15x10	M4x96	M4x18



Attach plate 15 to plate 17 and 18, turn cam locks(D) clockwise to tighten as shown. Attach plate 16 to plate 19 and 20, turn cam locks(D) clockwise to tighten as shown.

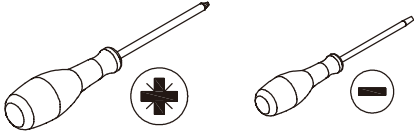


Fix handle(G) to plate 15 and 16 with screw(H) respectively as shown.

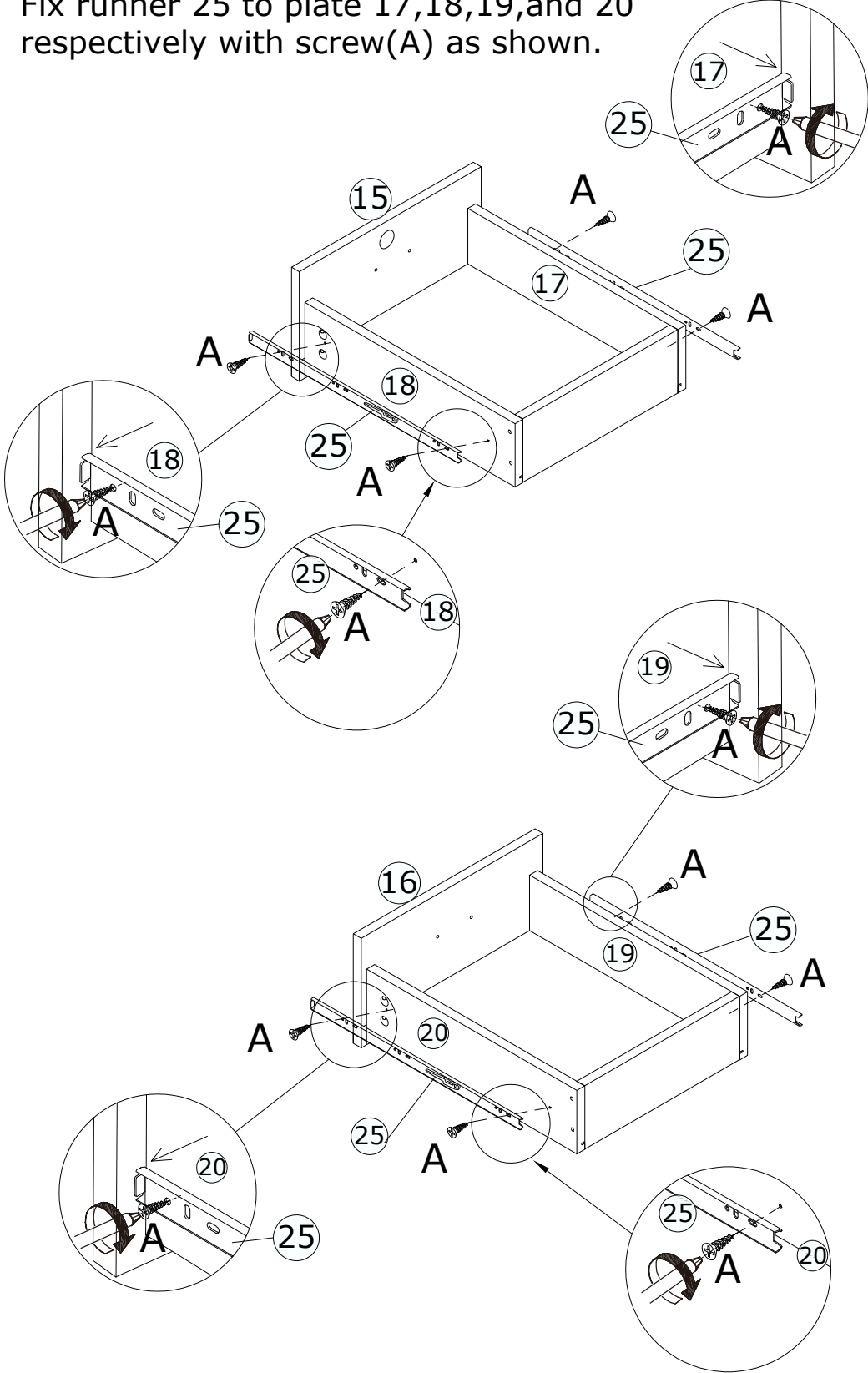


19

A X 12
M3.5x12



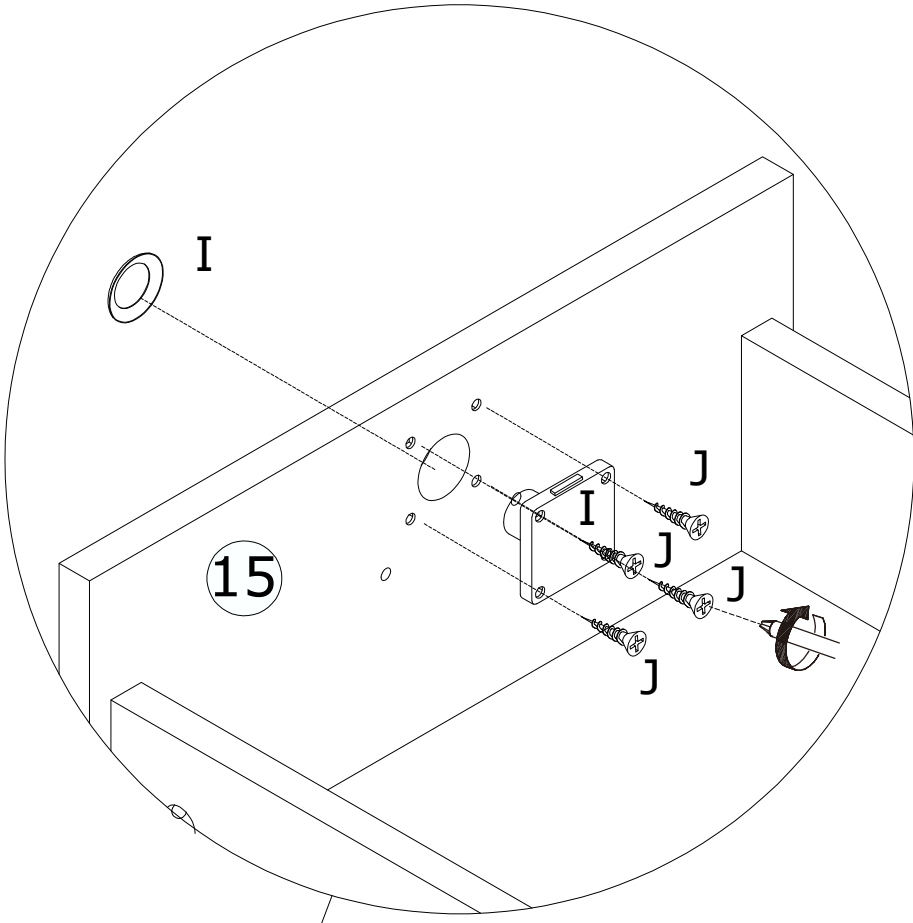
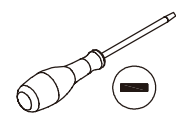
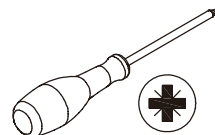
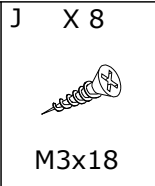
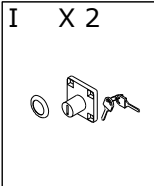
Fix runner 25 to plate 17,18,19,and 20 respectively with screw(A) as shown.



X2

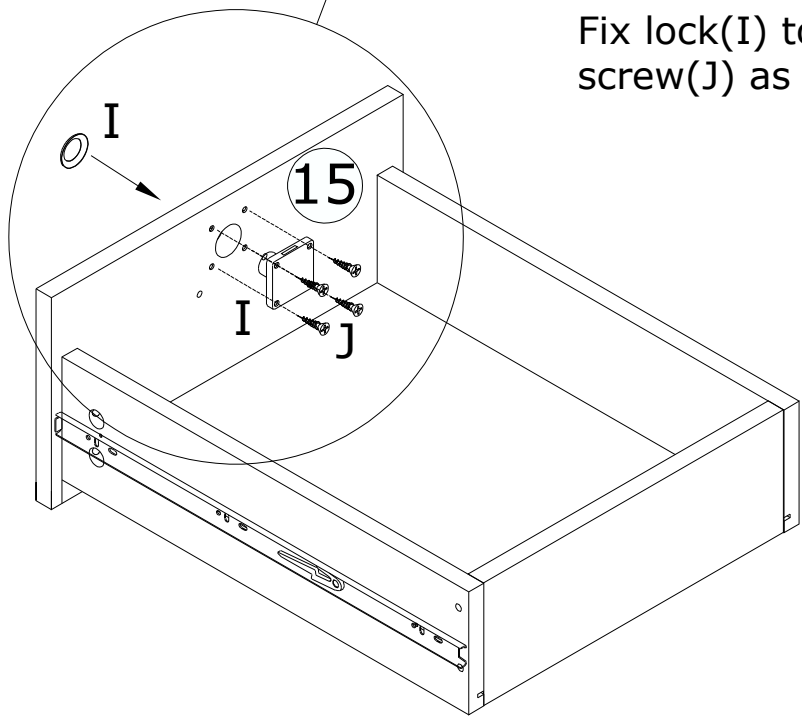
X1

20

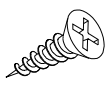
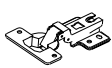




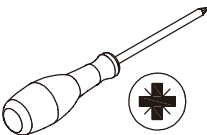
X2

Fix lock(I) to plate 15 with screw(J) as shown.

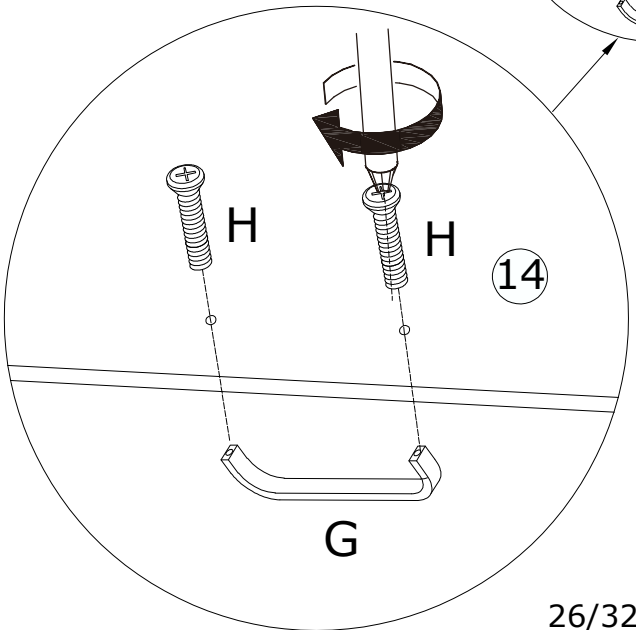
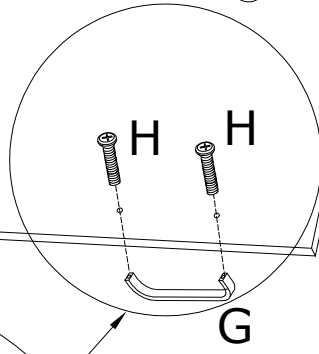
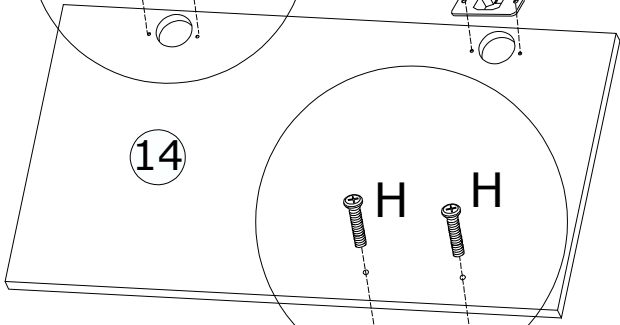
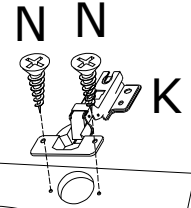
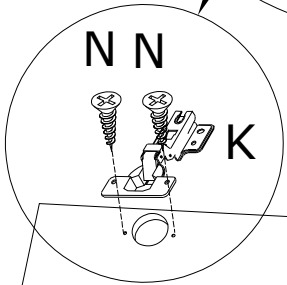
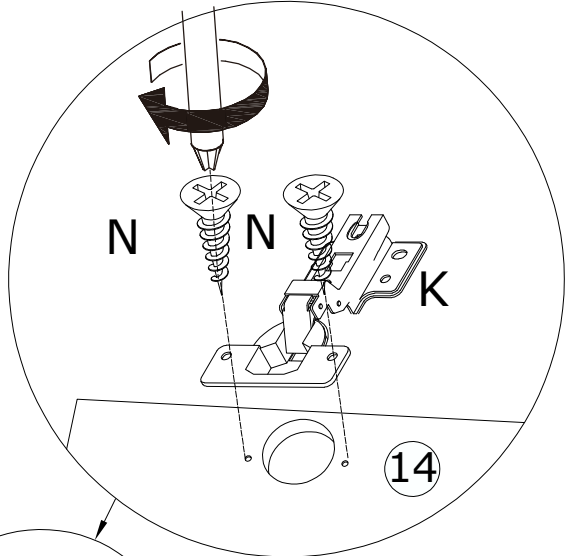


21

N X 4	K X 2	G X 1	H X 2
			
M3.5x14	DW	M4x96	M4x18

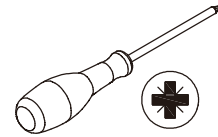


Fix hinge(K) to plate 14 with screw(N) as shown.
Fix handle(G) to plate 14 with screw(H) as shown.

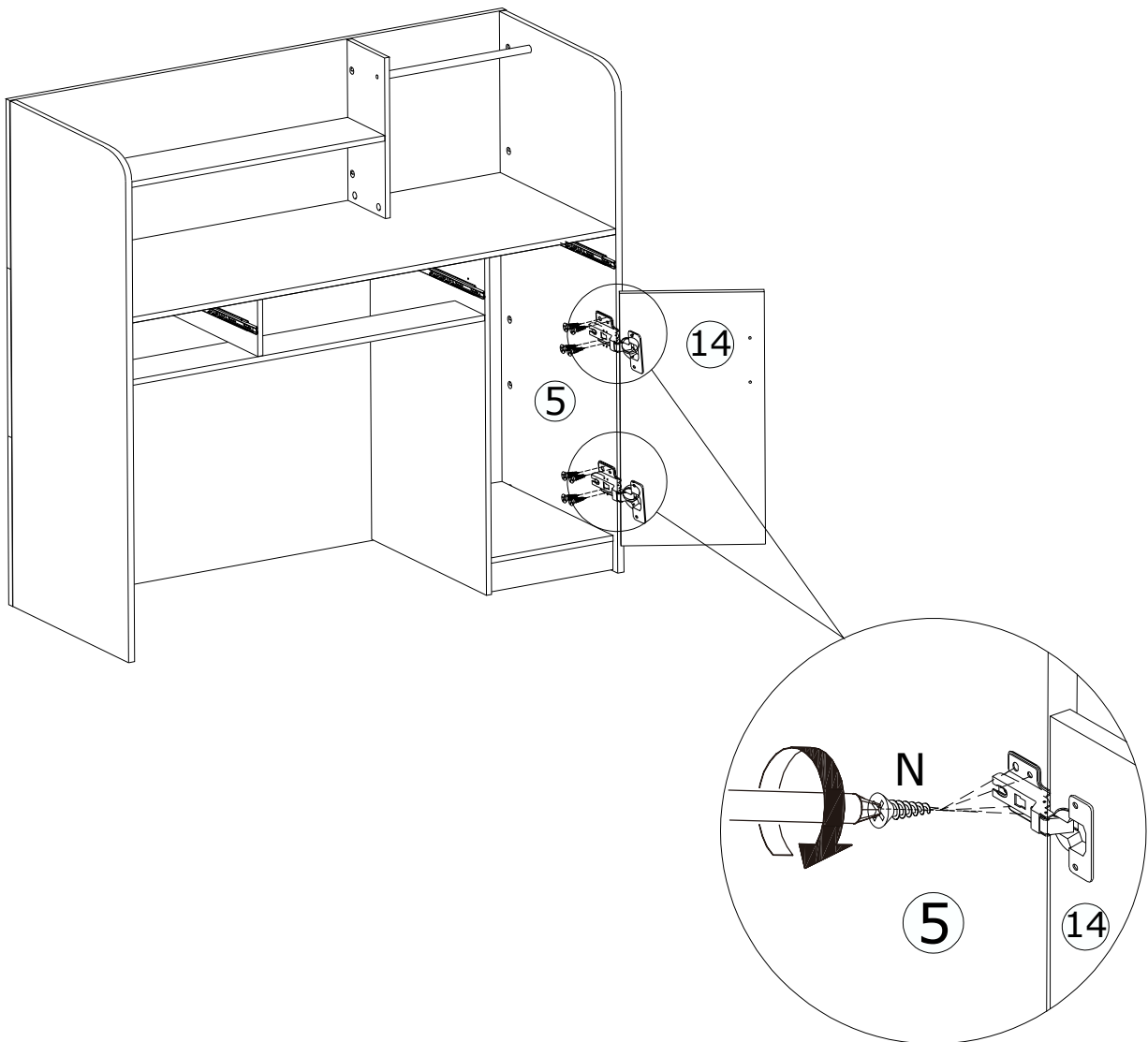


22

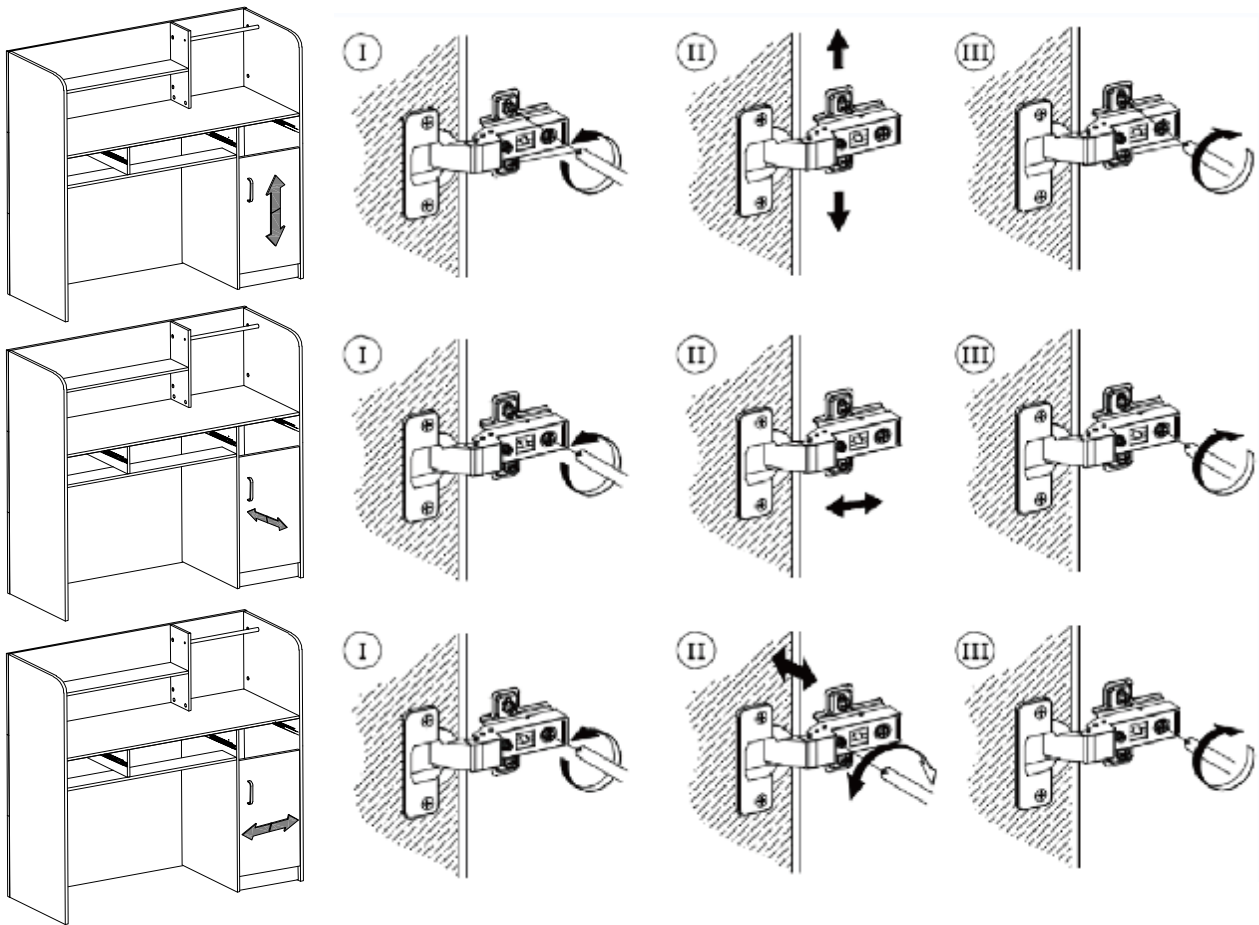
N X 8
M3.5x14




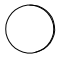
Attach plate 14 to plate 5 by fixing hinges with screw(N) as shown.



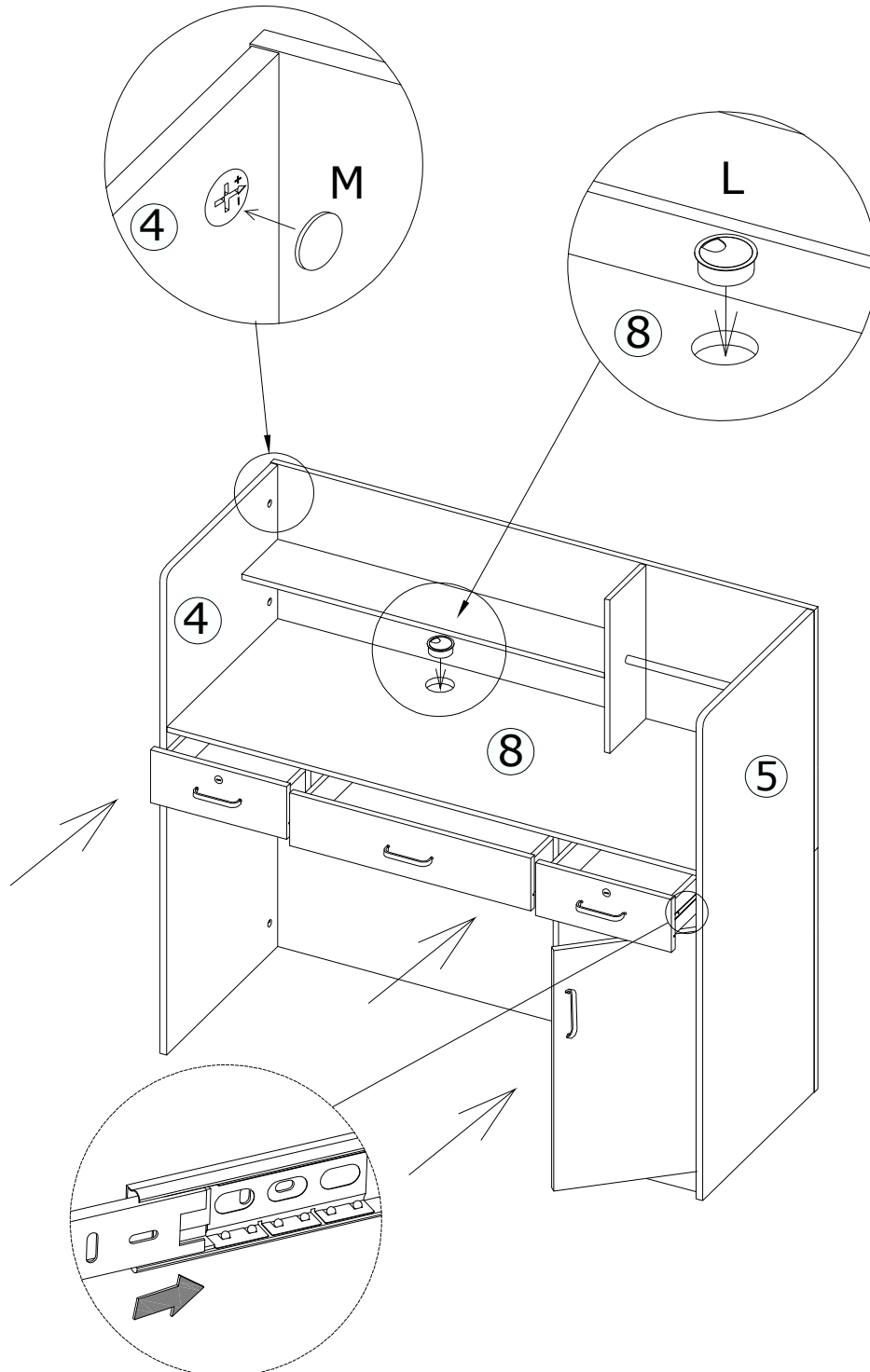
If there is misalignment after you install,
adjust the screw to the best condition



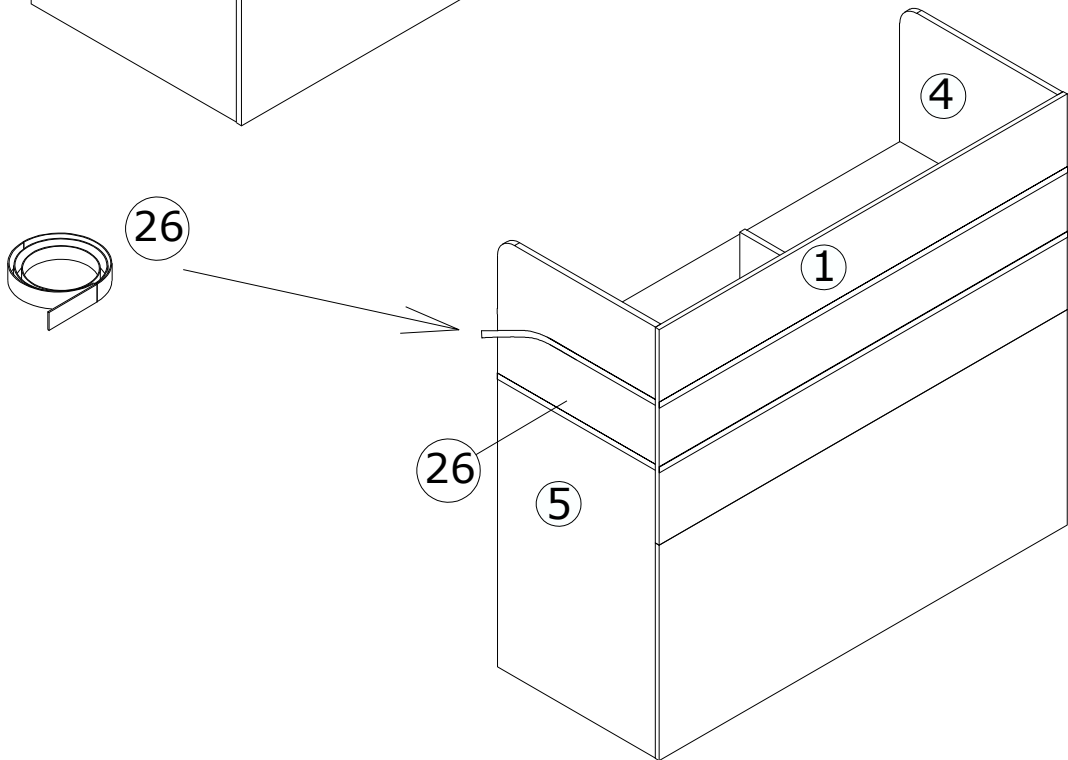
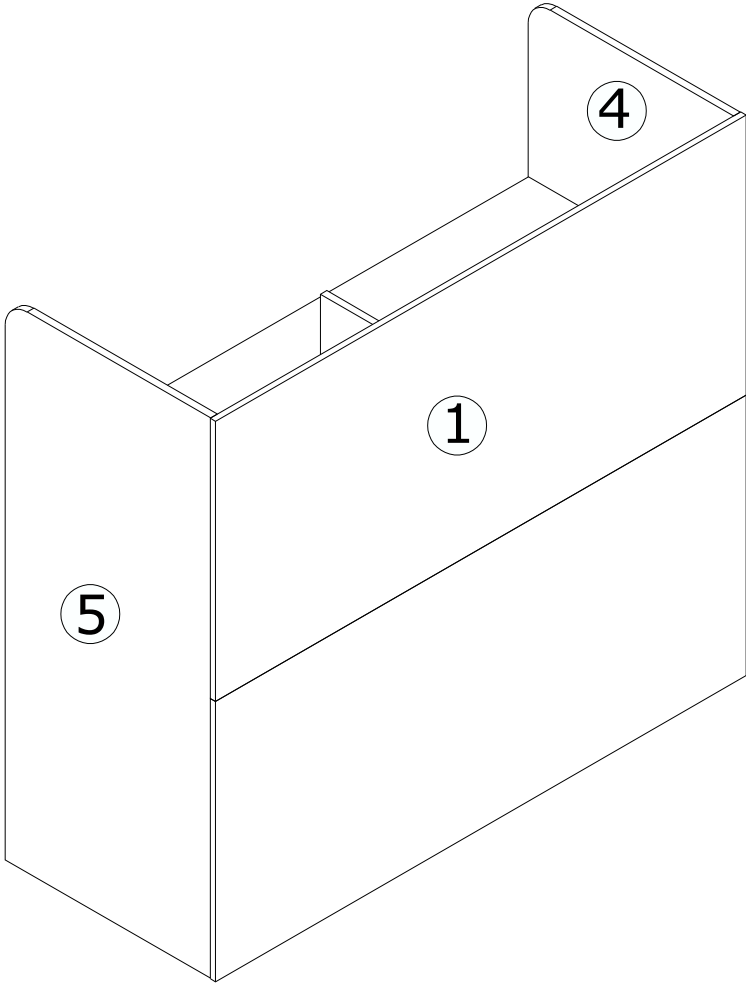
23

L X 1	M X 20
	
60	20x1

Align rails, put drawers.



24



WARRANTY

WARRANTY CLAIMS

- There is a 30-day warranty for broken furniture or any other problems that do not work properly. The warranty will start from the date of purchase which must be verified by proof of purchase.
- Before making a claim, we may be able to answer your query, simply call us. Please leave your purchase order number, along with some details of the problem, if you want a replacement part. We will arrange within 48 hours. If there is out of stock, we will reply with a shipping date.
- The product must be used in accordance with the instructions provided. For health reasons.
- For other reasons, if the furniture needs to be returned, it must be cleaned and dried and operated within 30 days of receipt.

Type of Warranty Claim

- Failure to follow the furniture instructions will invalidate the warranty. Attention please.
- Does not include damage during installation, but includes damage during transportation.

Scope of responsibility

- Shall not bear any responsibility for misuse or user damage and / or loss of parts during the installation of furniture.
- After using, the damage and scratches of the furniture are not covered by the warranty.

The Warranty Relates to All Bought in The Us and Covers The Following Areas

- Sheet parts: 1 month from the date of purchase.
- Electrical parts: 1 month from the date of purchase.

RETURNS

CHANGED YOUR MIND AND NEED TO RETURN YOU ITEM?

PLEASE FOLLOW THE BELOW INSTRUCTIONS:

- If you have purchased and have simply changed your mind, follow the retailer's instructions for returns.

DEFECTIVE ITEMS

- If your item is defective in any way, i.e. it doesn't work but you can't identify why, in the first instance, please call us.

DAMAGED ITEMS

- If you receive an order with obvious shipping damage from the retailer, then we suggest the delivery is refused. If the delivery has been accepted and then shipping damage is found, please follow the specific instructions advised by the retailer. In all circumstances please save all packaging material and paperwork for the order. Please be aware that if you dispose of packaging material or attempt to return the merchandise without contacting the fulfiller, you jeopardise your chances of making a claim, and you may not receive a credit for the return.