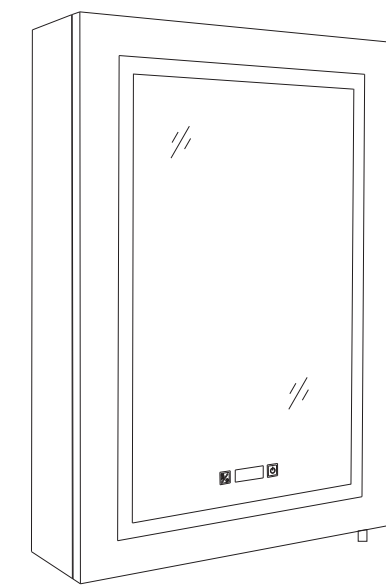


# Mirror cabinet

## Use of the operating instructions manual



**Before installation** ● ● ● ● ● ● ● ● **P1**

**Tools and Materials** ● ● ● ● ● ● ● ● **P1**

**(Installation steps)**

Stainless steel mirror cabinet ● ● ● ● ● ● ● ● **P2**

**Circuit Wiring** ● ● ● ● ● ● ● ● **P3**

**Product Use** ● ● ● ● ● ● ● ● **P3-4**

**How to adjust the hinge** ● ● ● ● ● ● ● ● **P5**

**Preventive measures** ● ● ● ● ● ● ● ● **P5**

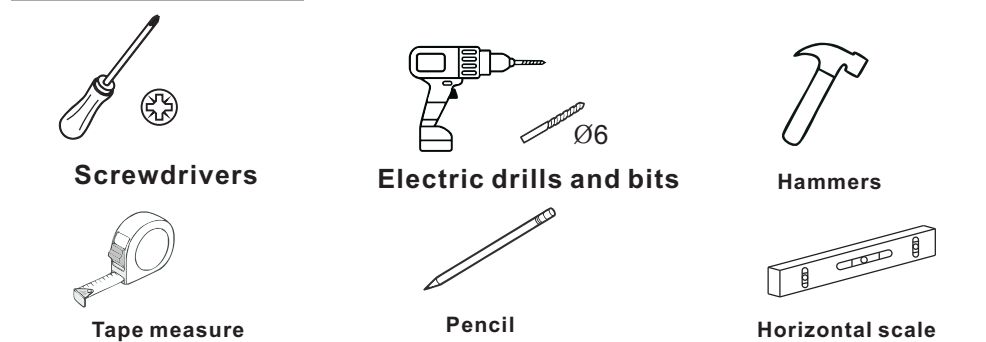
### Before installation:

- Please read this guide carefully to familiarize yourself with the tools, materials, and procedures required for installation. Please follow the guidelines to avoid unnecessary damage due to improper installation. Install this product according to the following sections, and be sure to read all instructions on operation and safety in addition to the section on proper installation.

- This guide also contains important information about maintenance, cleaning and warranties that users should keep.

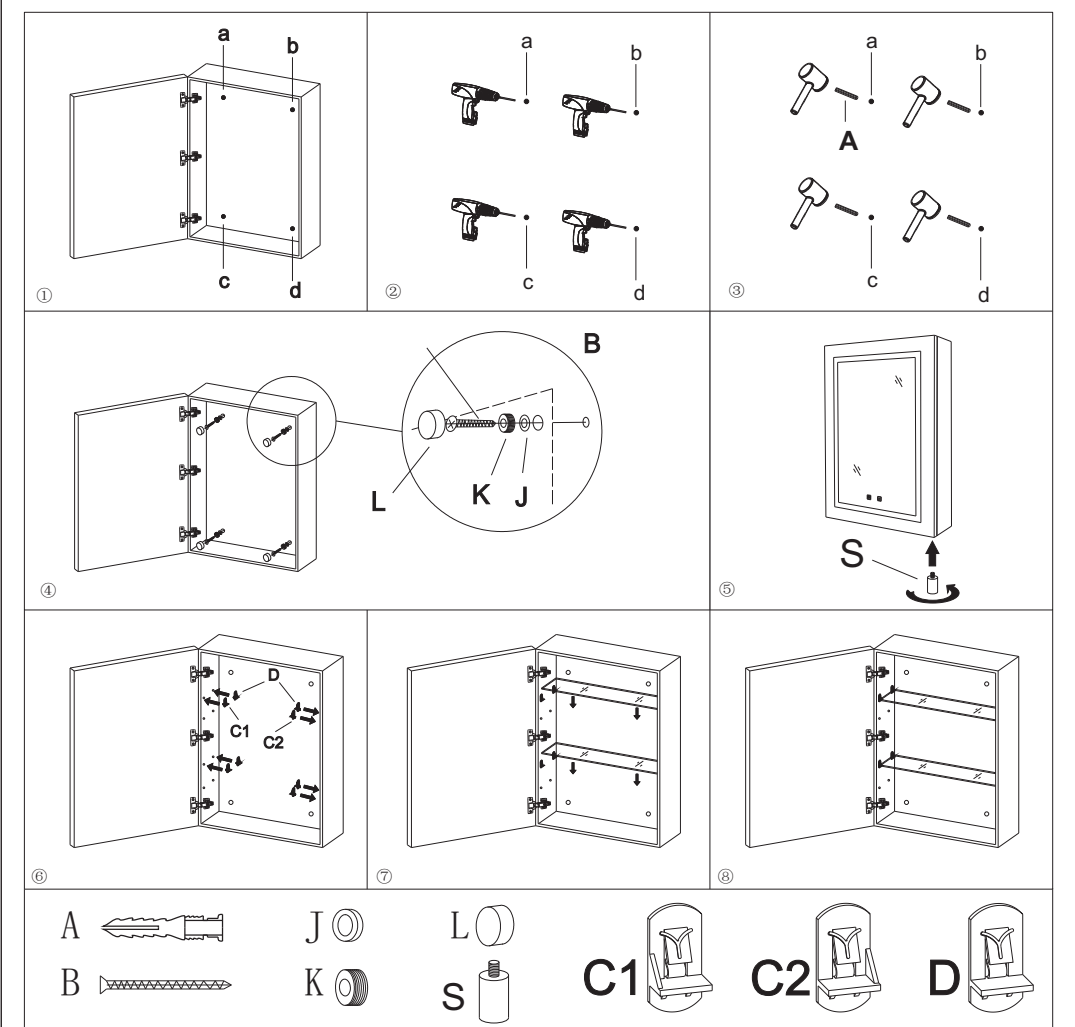
- Before installation, carefully inspect the product for damage.
- WARNING:** There may be a risk of injury to persons or damage to the product.
- WARNING:** Surfaces should not contain acidic or alkaline cleaners and alcohol, clean with a wet cloth.
- WARNING:** Risk of electric shock. May have to be rewired.

### Tools and Materials:



### Stainless steel mirror cabinet:

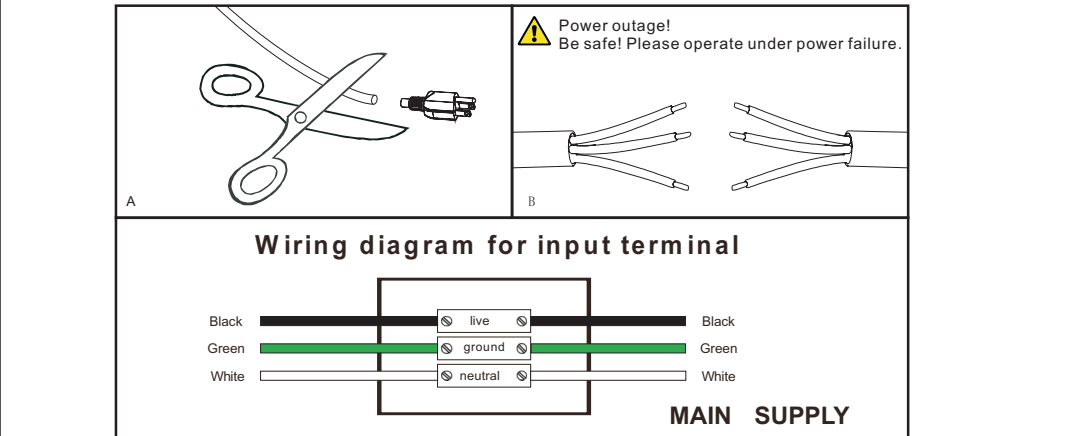
- Fig①: Position the cabinet, mark the a/b/c/d mounting holes from inside onto the wall.
- Fig②: Use the marks to pre-drill holes.
- Fig③: Hammer "A" anchors into the pre-drilled holes.
- Fig④: Hold the mirror cabinet and install mounting hardware "B","J","K", and "L" as shown in the illustration.
- Fig⑤: Pre-positioned the hole at the bottom of the door, just screw the handle "S" in it.
- If a glass shelf is purchased, continue with the following.**
- Fig⑥: Insert the provided shelf clips (C1/C2/D) into the round holes on both sides of the cabinet.
- Fig⑦: After installing the shelf clips, insert the glass shelves(s).



### Circuit Wiring:

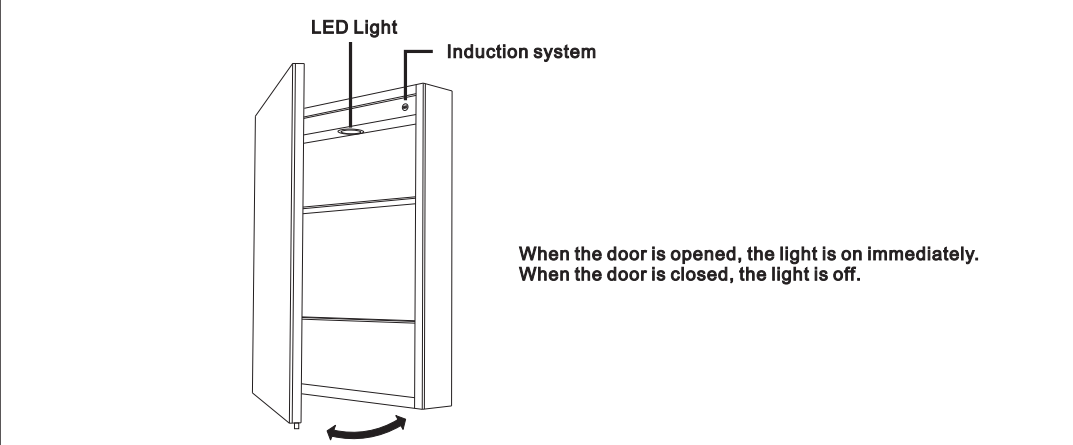
If there is no outlet nearby, or you want to hide the power cord, you can do so:

- FigA: Cut the plug and strip the power cord to reveal the three wires inside
- FigB: Disconnect the power, then connect the product's wires to the household electrical circuit while ensuring safety. Please refer to the figure below for the connection path.

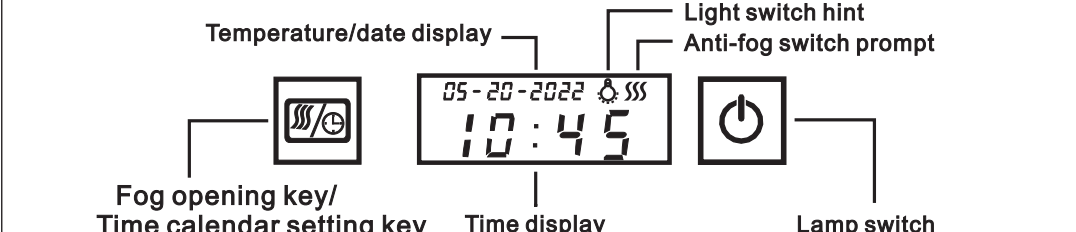


### Product Use:

1. Door induction switch (This manual is suitable for Item No



### 2. The clock module (This manual is suitable for Item No.: ZT-C003)



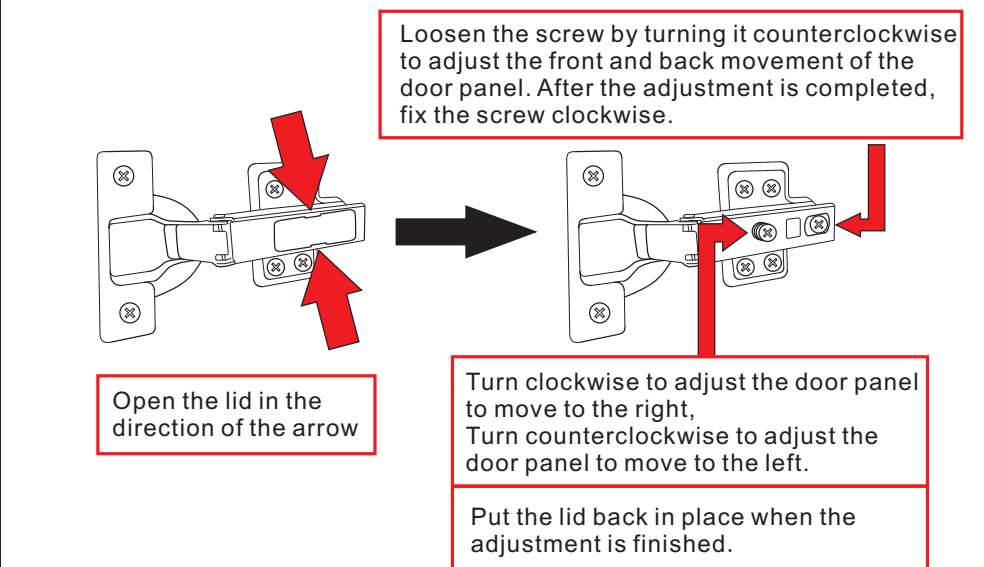
- The left button is the fog opening key/time calendar setting key, the power button is blue, short press the fog on and off, the backlight of the key white; Long press to enter the perpetual calendar time setting state. At this time, short press year, month, day, hour and minute in sequence to flash. The right button is the adjustment button, and then short press the left button to complete the setting and save successfully.
- Right-click the double switch, the power button is blue, short press once the LED light is on, the button is backlight white, then short press the button to convert the LED color temperature, from warm light to natural light to cold light, corresponding color temperature is 3000K to 4000K and then 6400K, short press the button to turn off the switch, the button light turns blue, operate cyclically. After turning on the light, long press to dim. In addition, when entering the time setting, short press the right button to adjust the time sequence.

### 3. Regular double bond module



- Press the switch ① to control anti-fog opening and closing.
- Press the switch ② to turn the LED light on/off. Long press the switch to adjust the brightness of the LED light. Short touch the ② switch to adjust the color temperature from 3000K to 6400K.

### How to adjust the hinge:



### Precautions:

- Do not attempt to disassemble the product, as disassembly by non-professionals may result in product failure and loss of warranty benefits.
- Do not place the product in direct sunlight to avoid premature aging of electronic parts.
- Avoid placing the product near magnetic materials, which may affect its touch performance. Do not use fingernails or sharp objects to touch the touch screen, and do not wear gloves to touch the touch screen.
- Do not place other objects on the LCD screen to prevent crushing and damage to the screen.
- Keep this product away from rain or moisture.
- Avoid direct sunlight and keep the unit away from heat sources. Failure to do so may cause the device to fail to start and operate normally.
- Do not attempt to disassemble the product yourself for any repairs, as this will prevent damage to the product and is not covered by the warranty.
- Plastic bags and mounting accessories can be dangerous. To avoid the danger of suffocation, keep babies and children away from these objects at all times.