

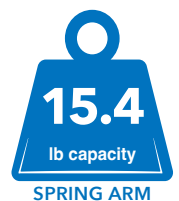
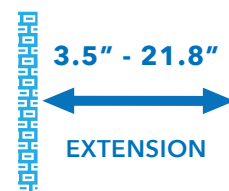
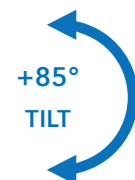
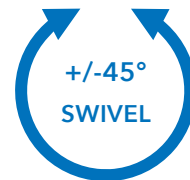
# MOUNT-IT!

MI-1765KB

## Counterbalance Keyboard Tray Arm for Wall and Pole Mounting

Whether you are using your keyboard in a medical office, a distribution center or for gaming at home, this flexible keyboard arm is your perfect solution to create a sleek floating workstation. Effortlessly raise or lower your keyboard to your desired typing position to ensure optimal comfort and productivity. With the flexibility to choose between mounting the arm to the wall or an existing pole, you can customize your workspace to fit your needs.

- Effortless height, extension and tilt adjustments thanks to built-in mechanical spring
- 90° swivel, 21.8" max. extension and up to 85° tilt
- Perfect addition to a monitor wall or pole mount (sold separately)



Features Video



Installation Video

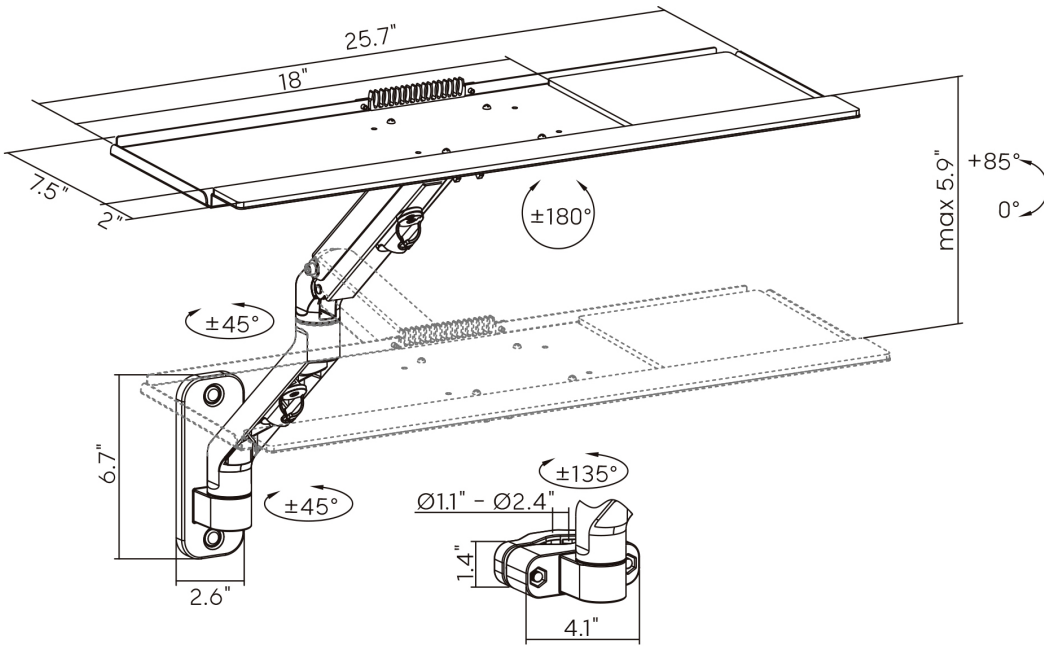


User Manual

MI-1765KB

# Counterbalance Keyboard Tray Arm for Wall and Pole Mounting

# MOUNT-IT!



Quick installation base



Multiple pivot points

## SPECIFICATIONS

Weight Capacity	15.4 lbs (spring arm), 2.2 lbs (keyboard tray)
Swivel Range	$\pm 45^\circ$
Tilt	$+85^\circ$ max
Extension	3.5" - 21.8"
VESA Compatibility	75 x 75, 100 x 100
Installation	Wall or pole mounting (pole not included)
Cable Management	Yes



Combine to create a custom set-up