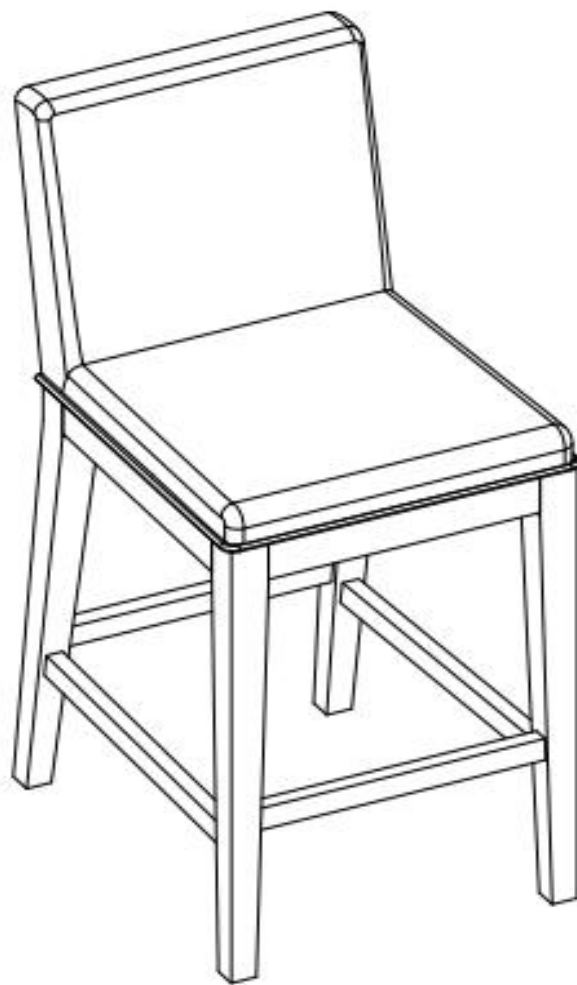


# Instruction Manual



# CONTENTS

---

Safety and care advice	1
Components	2
Assembly instructions	4
Copyright	8

---



# SAFETY AND CARE ADVICE



PLEASE READ THESE INSTRUCTIONS CAREFULLY AND KEEP FOR FUTURE REFERENCE

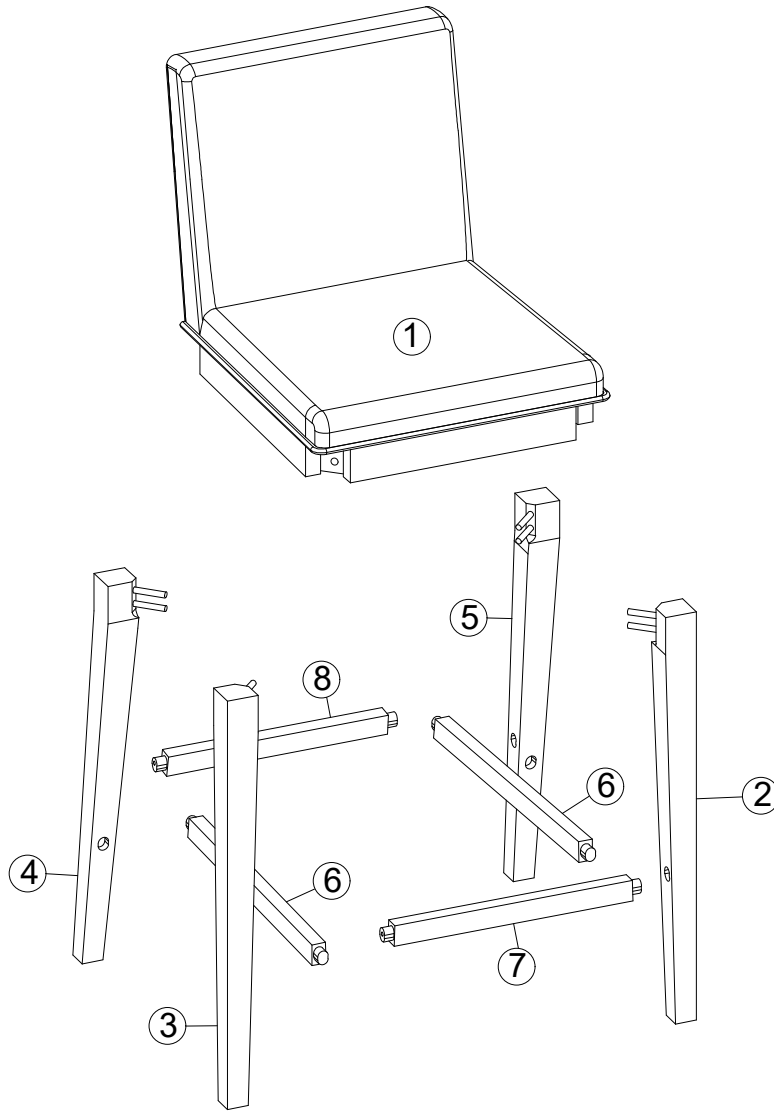
- Warning: Please lift with care.
- Check you have all the components and tools listed on pages 2 and 3.
- Remove all fittings from the plastic bags and separate them into their Groups
- Keep children and animals away from the work area, small parts could choke if swallowed.
- Make sure you have enough space to layout the parts before starting.
- Do not stand or put weight on the product, this could cause damage.
- Assemble the item as close to its final position (in the same room) as possible.
- Assemble on a soft level surface to avoid damaging the unit or your floor (use opened out unit carton).
- We do not recommend the use of power drill/drivers for inserting screws, as this could damage the unit. Only use hand screwdrivers.
- Dispose of all packaging carefully and responsibly

## CARE AND MAINTENANCE

- Only clean using a damp cloth and mild detergent, do not use bleach or abrasive cleaners.
- From time to time check that there are no loose screws on this unit.
- This product should not be discarded with household waste. Take to your local authority waste disposal center.
- Note: If required the next page can be cut out and used as reference throughout the assembly. Keep this page with these instructions for future reference.

# COMPONENTS

Please check you have all the panels listed below:



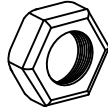
1. Seat	x1
2. Front leg 1	x1
3. Front leg 2	x1
4. Back leg 1	x1

5. Back leg 2	x1
6. Side Rail	x2
7. Front Rail	x1
8. Back Rail	x1

# COMPONENTS

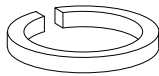
Please check you have all the panels listed below:

A



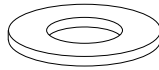
Hex Nuts M6 x 8

B



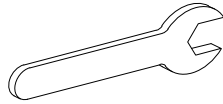
Lock washer x 8

C



Washer x 8

D



Spanner x 1

E

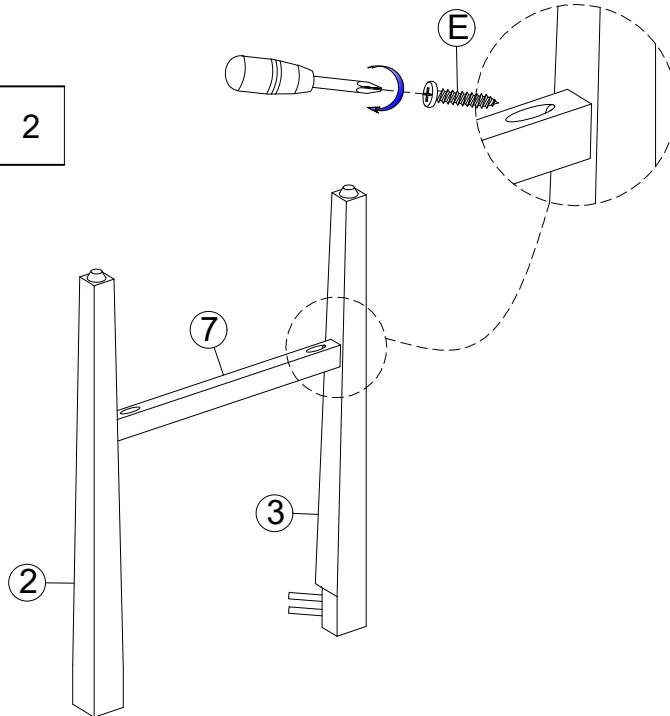


Screws (M4 x 30) x 8


# ASSEMBLY INSTRUCTIONS

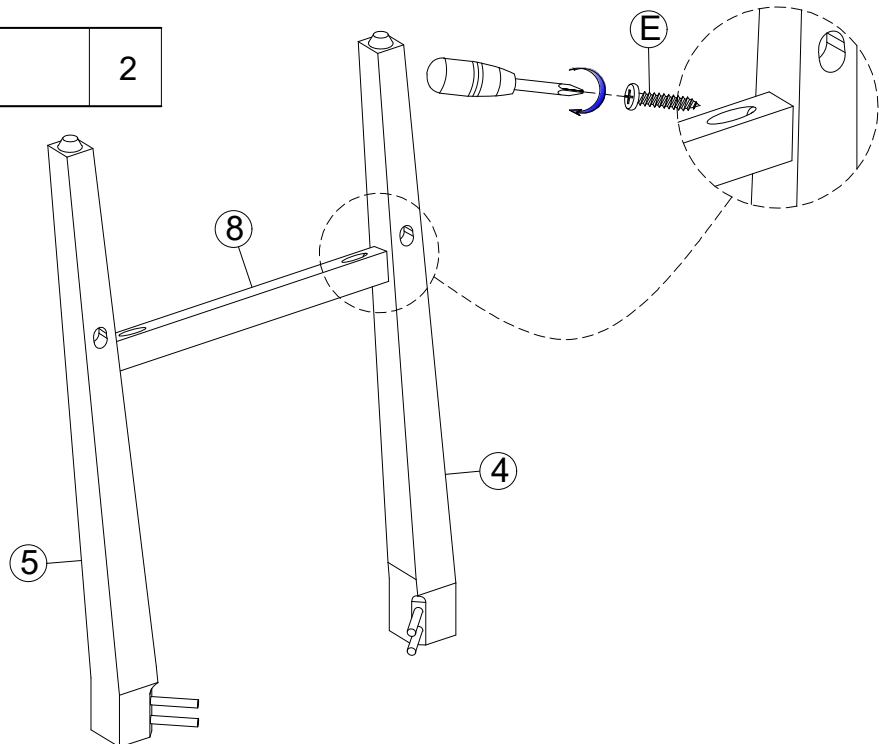
Step 1:

E		2
---	---	---







Step 2:

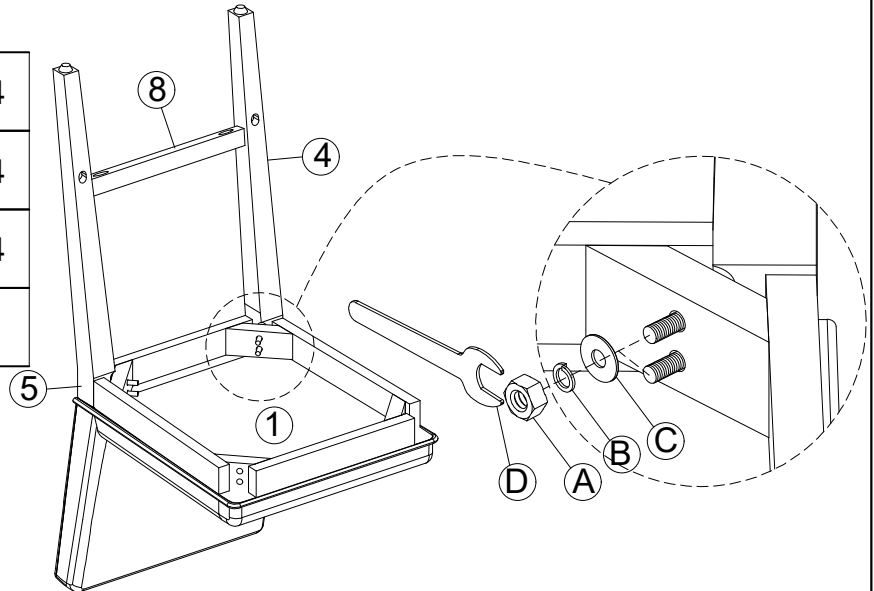
E		2
---	---	---




# ASSEMBLY INSTRUCTIONS

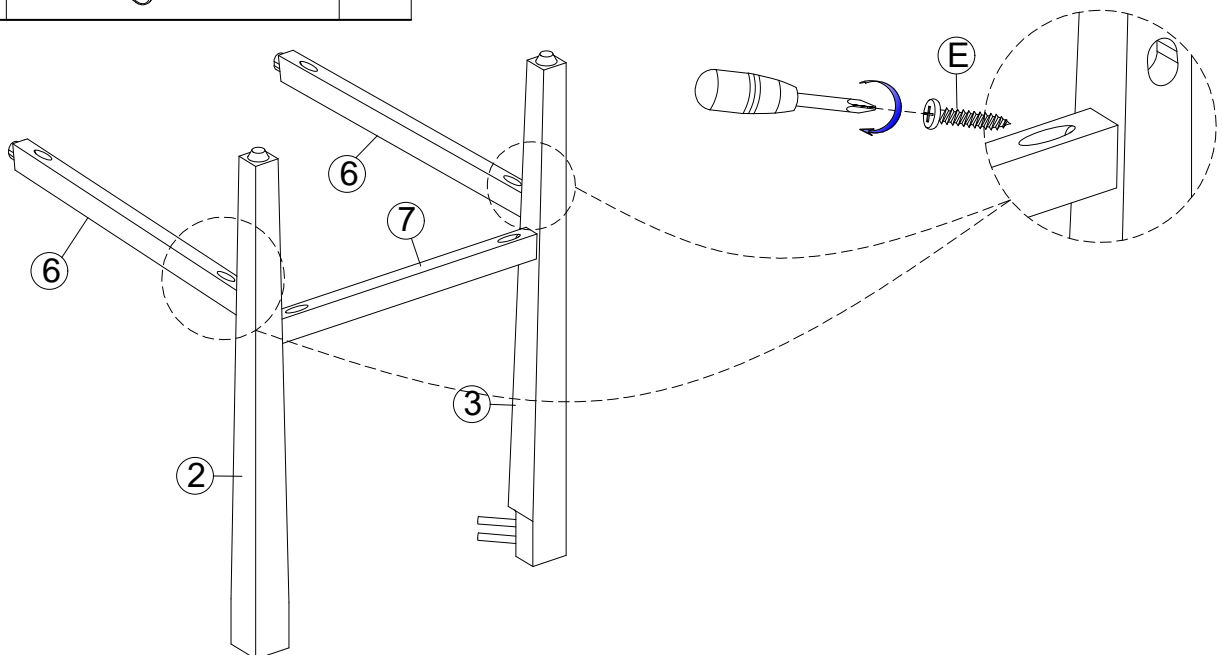
Step 3:

A		4
B		4
C		4
D		1








Step 4:

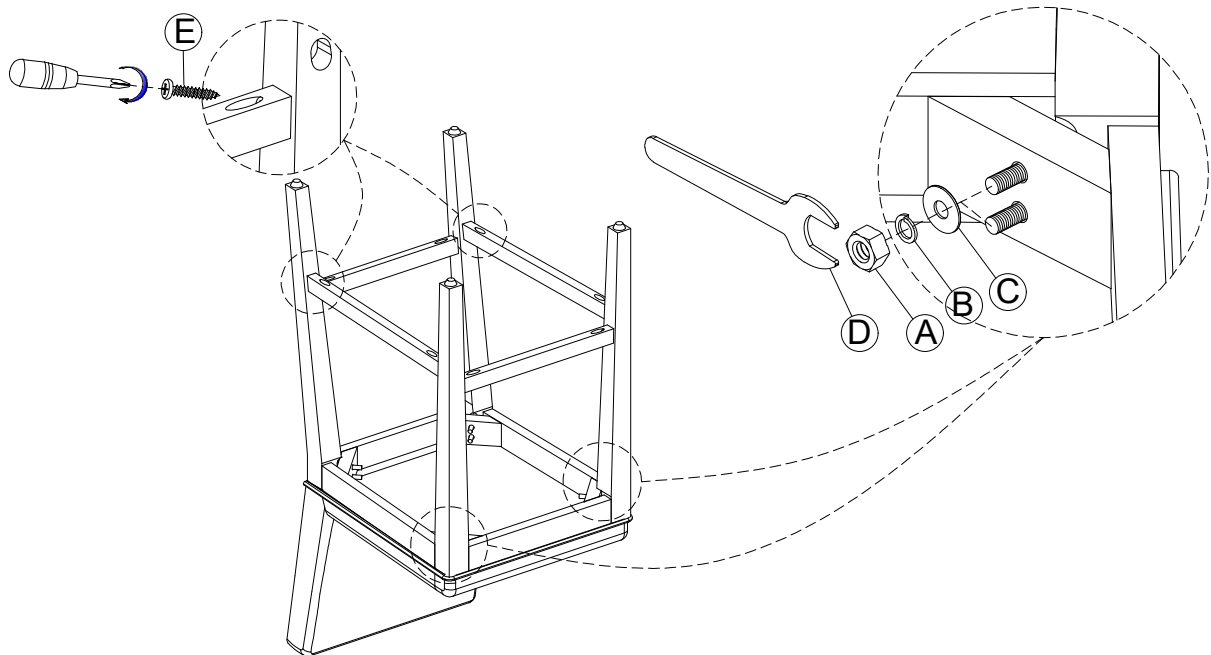
E		2
---	---	---



# ASSEMBLY INSTRUCTIONS

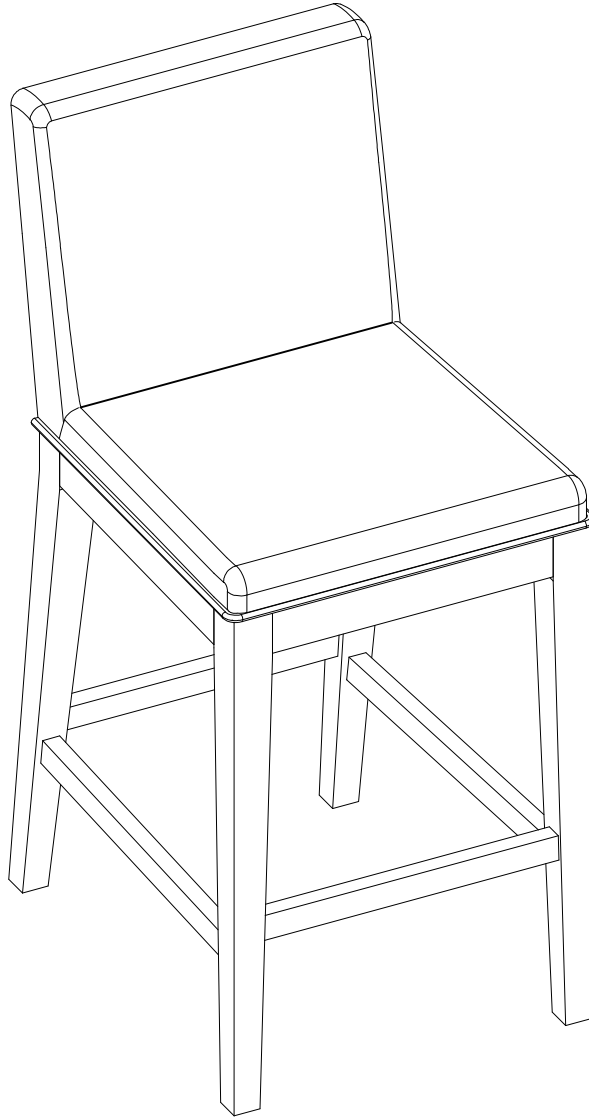
Step 5:

A		4
B		4
C		4
D		1
E		2



# ASSEMBLY INSTRUCTIONS

---



Congratulations! Now you have finished assembling the product.

## IF YOU FIND A DEFECTIVE PART

---

We fully stock all parts and components. Any defective part can be quickly replaced. Take note of the defective part number in manual and we will arrange a quick replacement.

## COPYRIGHT

---

All material in this instruction manual is copyrighted.  
Any unauthorised use may violate worldwide copyright, trademark and other laws.