

Features

- Designed to fit K-99000 and K-99001 Verdera® medicine cabinets (sold separately).
- Designed to complement the transitional style of Jacquard vanities.
- Catalyzed conversion varnish provides a durable moisture-resistant finish.
- Mounts directly to wall for easy installation.

Material

- Solid wood and veneers.

Recommended Products/Accessories

K-99000 Medicine Cabinet
K-99001 Medicine Cabinet
K-23736 Furniture polish



Codes/Standards

None Applicable

KOHLER® One-Year Limited Warranty

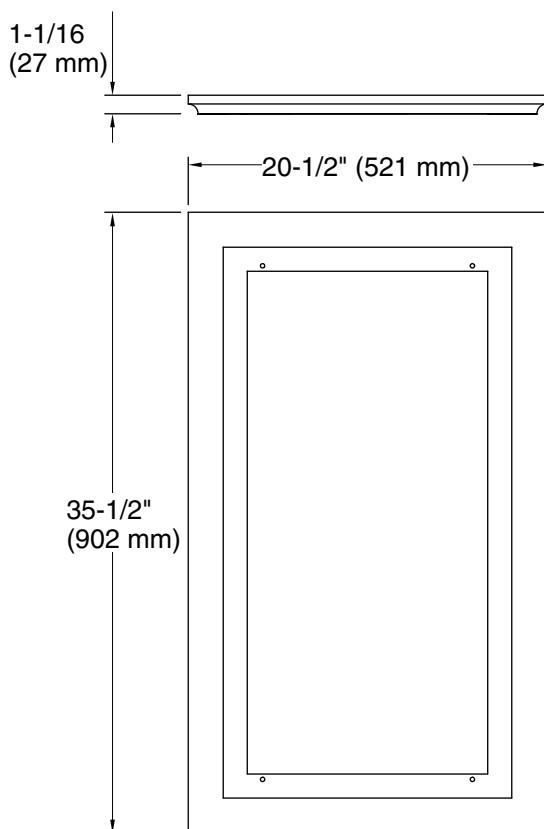
See website for detailed warranty information.

Available Colors/Finishes

Color tiles intended for reference only.

Color	Code	Description
-------	------	-------------

	1WH	Woolen Oak
---	-----	------------



Technical Information

All product dimensions are nominal.

Notes

Install this product according to the installation guide.