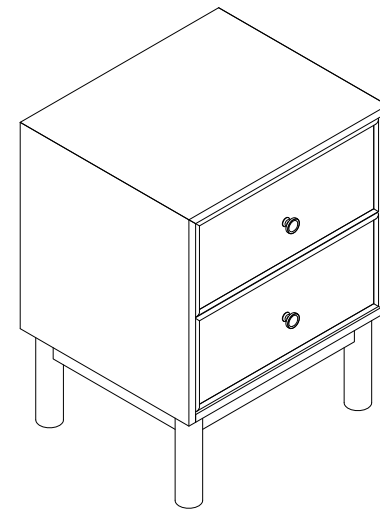


ORION 2 DRAWER WOOD NIGHTSTAND

DESIGN# SFV2246

Assembly Instructions



Need help?

Feel free to contact us via email or call
if you have any specific questions!

contact us:

cs@safavieh.com
866-422-9070

SAFAVIEH
C O U T U R E

Thanks for bringing Safavieh Couture into your home

Everything we make is incredibly simple to set up, including your new nightstand. You won't need any additional tools.

Parts List

A X 1
Cabinet



B X 4
Legs



Hardware List

HW1 x 8
Hex Socket Bolt $\frac{5}{16}$ "-18 x 2"



HW2 x 1
Allen Key $\frac{5}{32}$ "

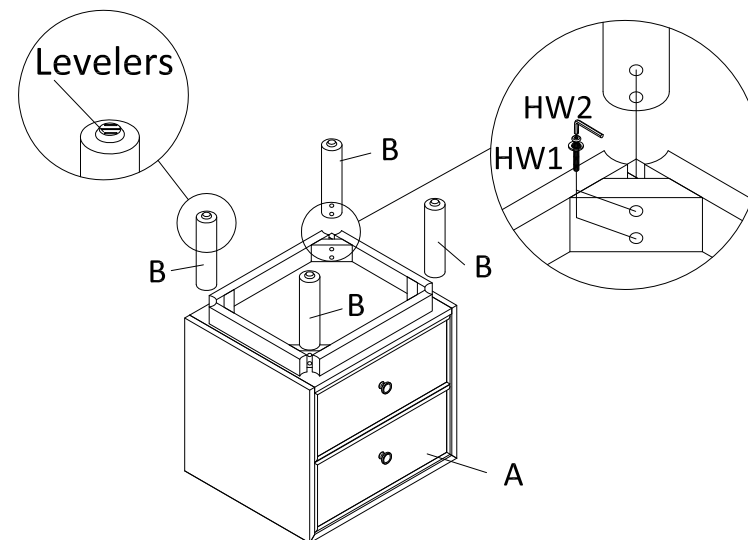


HW3 x 1
Anti-Tip Hardware



1

Place the Cabinet (A) upside down on a soft and clean surface. Align the screw holes on the Cabinet (A) to the screw holes on the Legs (B) as shown below. Attach the Legs (B) to the Cabinet (A) by using the Allen Key (HW2) to screw in the Hex Socket Bolts (HW1).



2

Turn the nightstand upright. Place the nightstand in the place where you will use it. Follow the installation instructions of the anti-tip hardware (HW3) to attach the nightstand to the wall. Adjust the levelers on the bottom of the legs as needed to make the table level. We'd love to see it -- just tag us (we're @safavieh) and use the hashtag #safavieh on Instagram!

