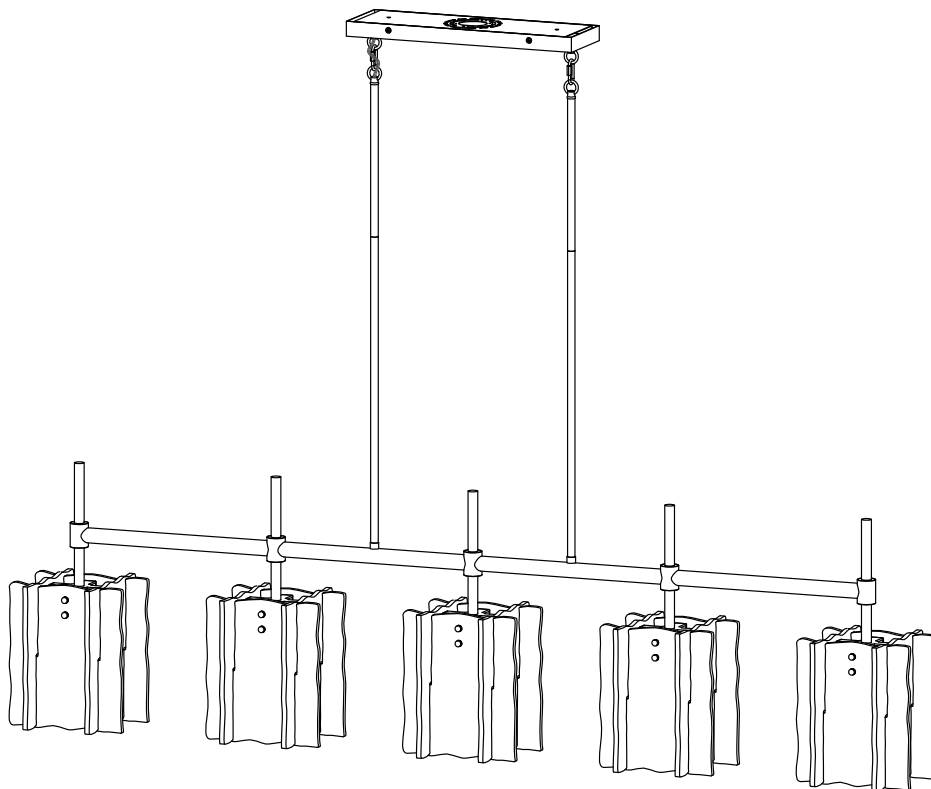


WARNING (To reduce the risk of fire, electric shock, or personal injury):


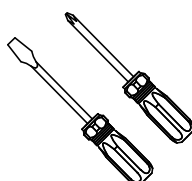
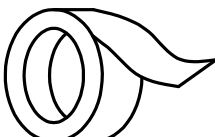
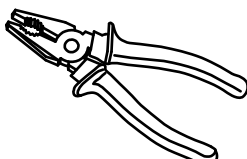
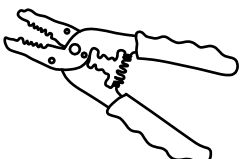
1. We suggest installation by a **licensed electrician**.
2. Please read the instruction carefully and save it as you may need it at a later time.
3. Before you start, **NEVER** attempt any work without shutting off the electricity until the work is done.
 - » Go to the main fuse, or circuit breaker, box in your home. Place the main power switch in the “**OFF**” position.
 - » Place the wall switch in the “**OFF**” position.
1. Mounting surface should be clean, dry, flat, strong enough and 1/4” larger than the canopy on all sides. Any gaps between the mounting surface and canopy exceeding 3/16” should be corrected as required.
2. Make sure that the ceiling or wall can stand the weight of the lamp before installation.
3. Make sure the voltage you are using is **120V**. The maximum wattage is **Type A, Max 60W** per blub.
4. Keep the lamp away from acidic and alkaline substances in case of damaging the surface of the lamp.
5. When replacing bulbs, you should turn off or unplug the lamp and you must wait until it is cool as bulbs get hot quickly.
6. The safety instructions appearing in this manual are not meant to cover all possible conditions that may occur. It must be understood that common sense, caution and care must be used with any electrical products.

IMAGE FOR FINISHED PRODUCT:



TOOLS REQUIRED (NOT INCLUDED):

Before starting assembly and installation please prepare the needed tools as below picture

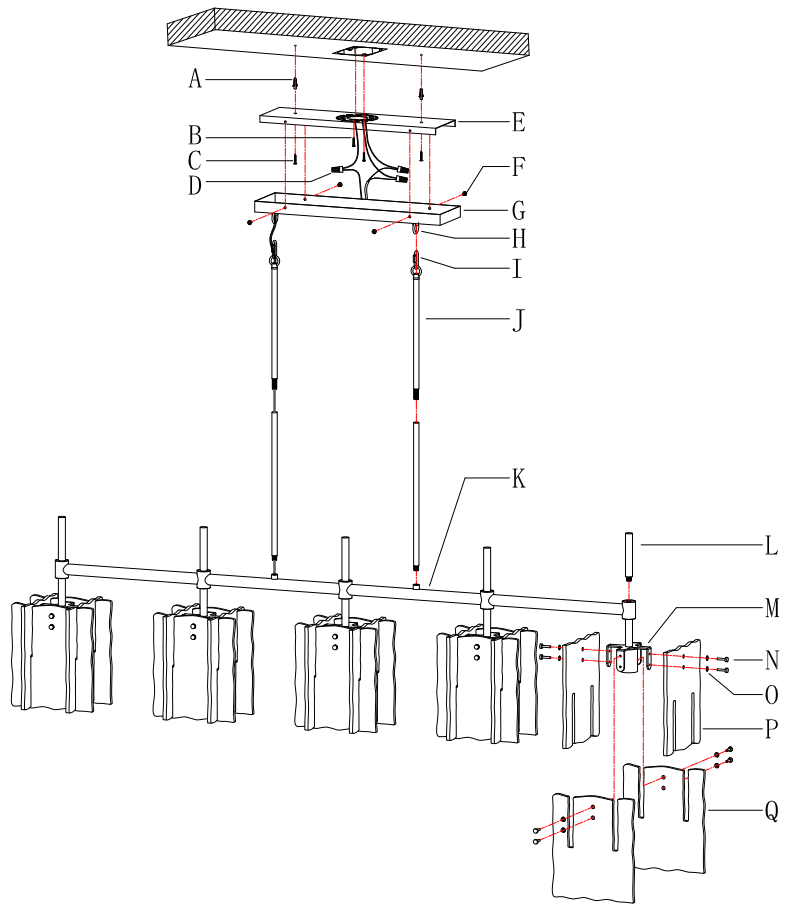
				
Ladder	Philips Head or Flat Blade Screwdriver	Electrical Tape	Pliers	Wire Cutter/Stripper

PARTS TYPE & QTY INCLUDED:

- (E) Mounting plate (1)
- (F) Canopy screw (4)
- (G) Canopy (1)
- (H) Loop (4)
- (I) Quick link (2)
- (J) Tube
- (K) Top frame (1)
- (L) Pipe (5)
- (M) Socket assembly (5)
- (N) Screw (40)
- (O) Plastic gasket (40)
- (P) Glass sheet-A (10)
- (Q) Glass sheet-B (10)

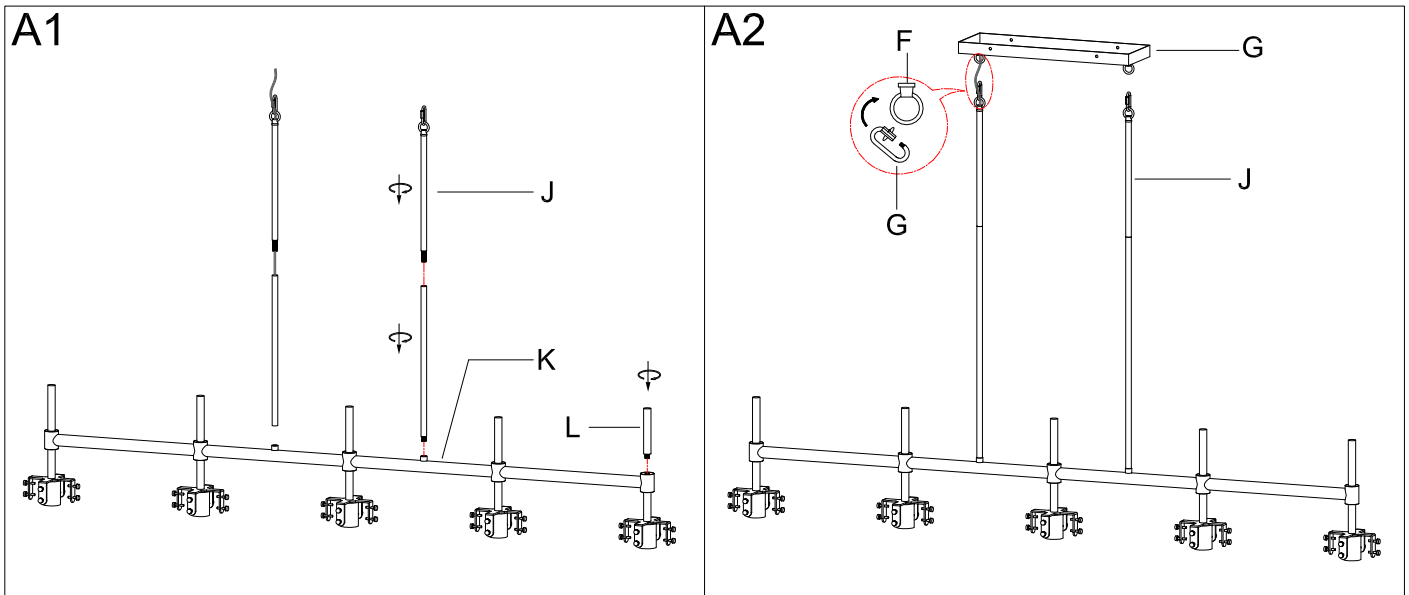
ACCESSORIES & QTY ENCLOSED:

- (A) Plastic anchor (4)
- (B) Mounting screw (4)
- (C) Anchor (4)
- (D) Plastic wire connector (3)
- (N) Screw (1) (spare part)
- (O) Plastic gasket (5) (spare part)



ASSEMBLY & INSTALLATION INSTRUCTIONS:

1. Carefully remove the fixture from the carton and check that all parts and accessories are included as shown in the above illustration.
2. Make pre-installation



- Step A1 »**
- 1) Carefully pass the fixture wires through one side of tubes (J) and loops (H).
 - 2) Screw tubes (J) and pipe (L) to top of frame (K).
- * Secure tight till snug.**

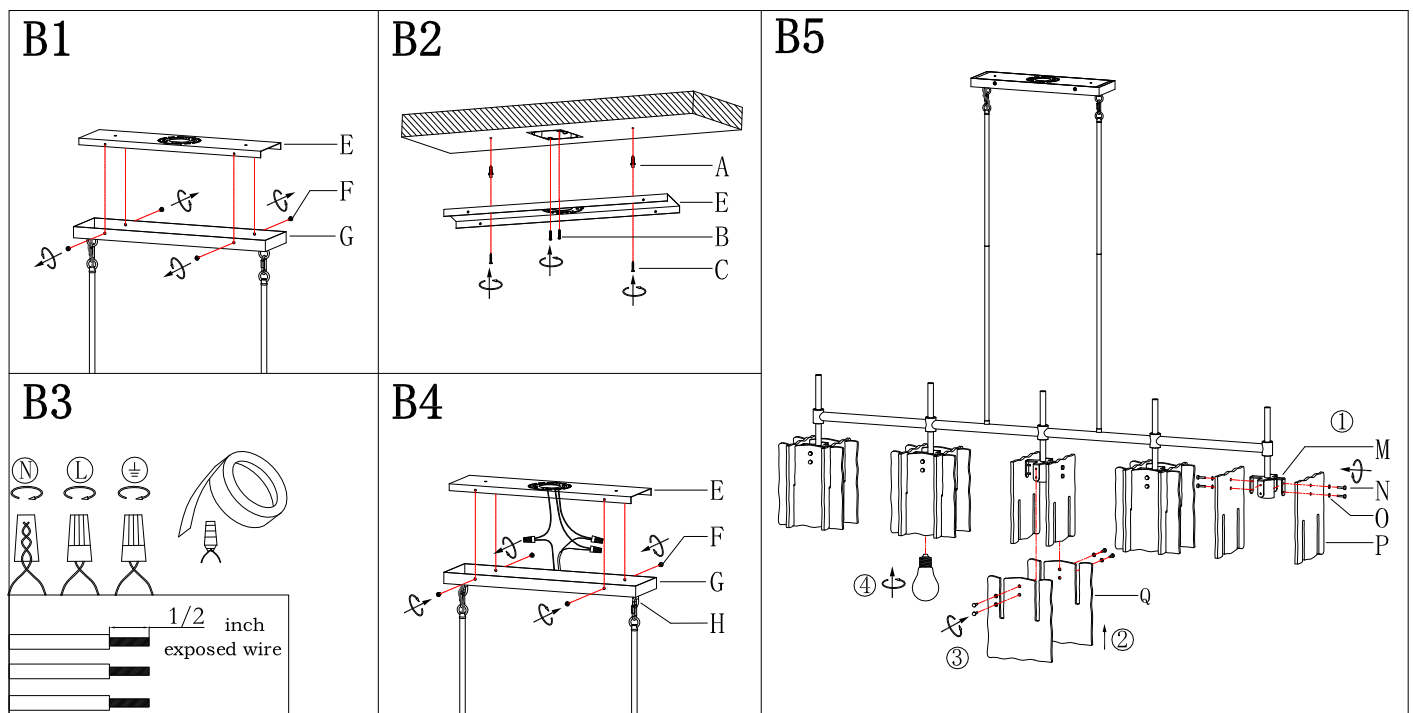
- Step A2 »** Open quick links (I). Attach quick links (I) to loops (H) on canopy (G) and on the top of tubes (J).
Close quick links (I).

3. Turn off power

Before you start the installation, NEVER attempt any work without shutting off the electricity until the work is done.

- » Go to the main fuse, or circuit breaker, box in your home.
Place the main power switch in the "OFF" position.
- » Place the wall switch in the "OFF" position.

4. Make installation



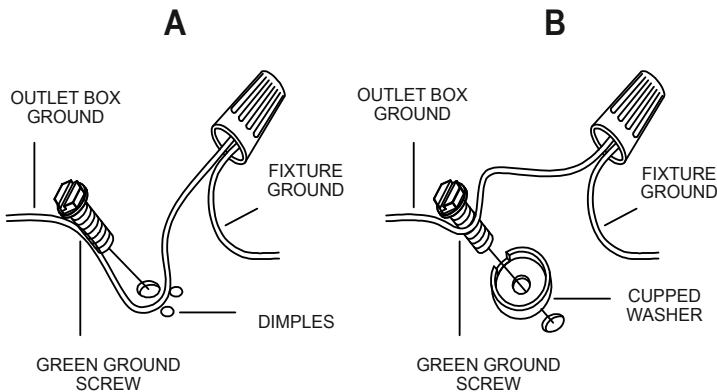
- Step B1 »** Unscrew canopy screws (F) from the canopy (G) and then remove the mounting plate (E).

- Step B2 »**
- (A) Attach the mounting plate (E) to the outlet box and note two holes from the mounting plate (E) on the ceiling.
 - (B) Drill two holes in the ceiling by the electric drill. Then insert plastic anchors (A) into holes with a hammer.
 - (C) Pass the fixture wires through the mounting plate (E).
 - (D) Attach the mounting plate (E) to the outlet box with mounting screws (B) and screw anchors (C) into plastic anchors (A).
- * The protruding edge of the mounting plate (E) should be facing downwards.**

Step B3 » Make wire connections

Connect wires as below wires connection shown. **PLEASE NOTE THAT GROUND WIRE IS BARE COPPER WIRE, NEVER CONNECT OTHER WIRES TO GROUND WIRES.**

Connect ground wires according to the chart below



Connect wires according to the chart below

Connect Black or Red Supply Wire to:	Connect White Supply Wire to:
Black	White
*Parallel cord (round & smooth)	*Parallel cord (square & ridged)
Clear, Brown, Gold or Black without tracer	Clear, Brown, Gold or Black with tracer
Insulated wire (other than green) with copper conductor	Insulated wire (other than green) with silver conductor

* Note: When parallel wires (SPT I & SPT II) are used. The neutral wire is square shaped or ridged and the other wire will be round in shape or smooth (see illus.)

Neutral Wire

- **Twist wires together with plastic wire connectors (D) until tightly joined.**
- **Wrap each connector with approved electrical tape.**
- **Be sure that no wire strands are exposed and then carefully tuck all wires into the outlet box.**

Step B4 » Raise canopy (G) to the mounting plate (E) and secure canopy (G) in place by tightening canopy screws (F) onto the protruding edges of the mounting plate (E).

- Step B5 »**
- 1) Remove screws (N) and plastic gaskets (O) from socket assemblies (M).
 - 2) Attach glass shades-A (P) to the opposite sides of socket assemblies (M) with screws (N) as shown in the illustration.
 - 3) Insert glass shades-B (Q) into the grooves of glass shades-A (P) as shown in the illustration.
 - 4) Thread screws (N) and plastic gaskets (O) to holes of socket assemblies (M) to secure glass shades-B (Q) as shown in the illustration.
 - 5) Install bulbs (Not included) (Please do not exceed the maximum wattage recommended on the socket.)

5. Check that everything is installed properly, then you can turn on the light. We hope you enjoy your new lighting!

ORDERING PARTS

Keep this sheet for future reference in case you need to order replacement parts. All parts for this fixture can be ordered from the place of purchase. Be sure to use exact wording from illustration when ordering parts.

CLEANING

To clean, wipe the fixture with a soft cloth. Do not use abrasive materials such as scouring pads or powders, steel wool or abrasive paper.