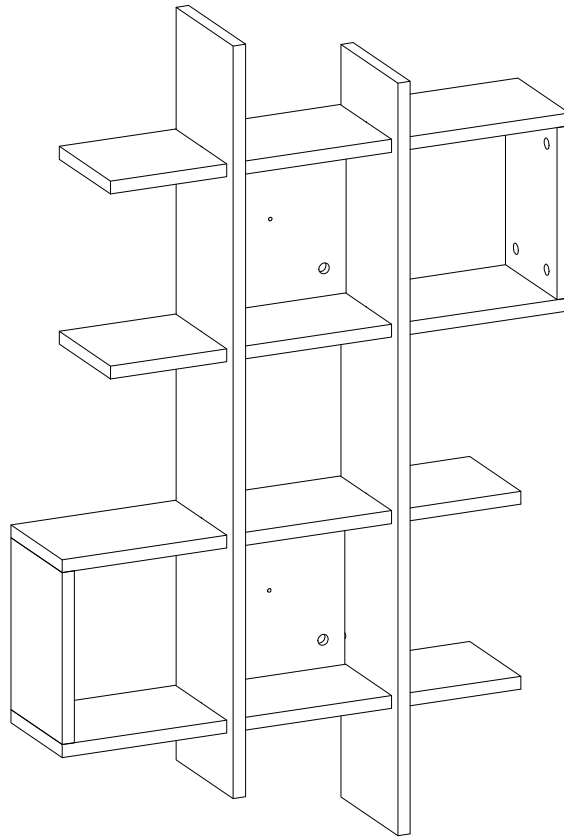




SCAN FOR
VIDEO ASSEMBLY





Español

ADVERTENCIA!

El vuelco del mueble puede provocar lesiones graves o mortales por aplastamiento. Para evitar que este mueble vuelque, recomendamos encarecidamente su uso con los dispositivos de fijación a la pared suministrados.

Deutsch

WARNUNG!

Schwere oder tödliche Quetschverletzungen können durch das Umkippen von Möbeln entstehen. Um das Umkippen dieser Möbel zu verhindern, empfehlen wir dringend die Verwendung der mitgelieferten Wandbefestigungsvorrichtung(en).

Nederlands

WAARSCHUWING!

Serieuze of fatale verpletteringsletsels kunnen optreden door het omvallen van meubels. Om dit te voorkomen, raden we ten zeerste aan om de muurbevestigingsmiddelen te gebruiken die bij dit meubilair worden geleverd.

English

WARNING!

Serious or fatal crushing injuries can occur from furniture tip over. To prevent tip over this furniture we highly recommend to use with the wall attachment device(s) provided.

Français

AVERTISSEMENT!

Risque de blessure grave ou mortelle par écrasement en cas de chute du meuble. Pour éviter tout risque de basculement, ce meuble doit être fixé au mur à l'aide des fixations incluses.

Ελληνική

ΠΡΟΕΙΔΟΠΟΙΗΣΗ!

Σοβαροί ή θανατηφόροι τραυματισμοί από την ανατροπή του επίπλου είναι πιθανοί. Για να αποτραπεί αυτή η ανατροπή, συνιστούμε ανεπιφύλακτα να χρησιμοποιήσετε τη συσκευή ή τις συσκευές στερέωσης στον τοίχο που παρέχονται με το έπιπλο.

Dear Valued Customer,

Before embarking on the assembly journey of our meticulously designed furniture piece, we extend a friendly caution to those who might find themselves navigating the assembly instructions like uncharted waters. Consider this your assembly roadmap, but remember, not all who venture forth heed the warnings.

Mind the Details: In the intricate dance of screws, bolts, and mysterious components, attention to detail is your compass. Failure to acknowledge the subtleties may lead to a misstep in the assembly waltz.

Avoid Solo Sailing: While solo adventures are admirable, assembling our furniture is a team sport. Rally your crew, or at least one reliable sidekick, to ensure a smoother voyage. Two sets of eyes are better than one, especially when deciphering assembly hieroglyphics.

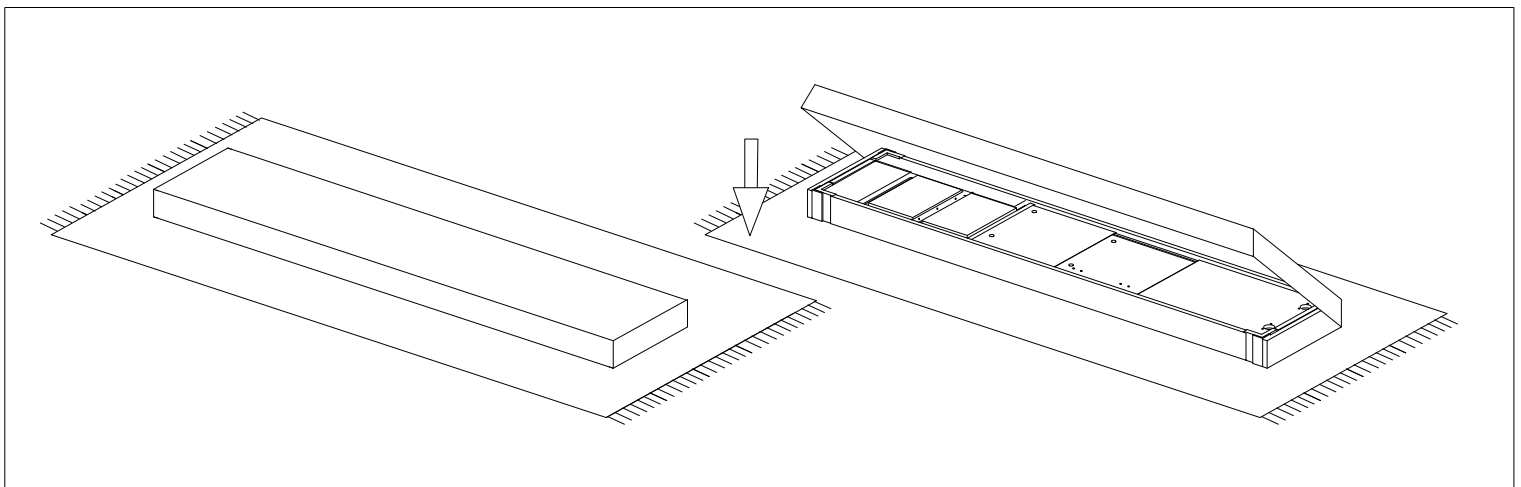
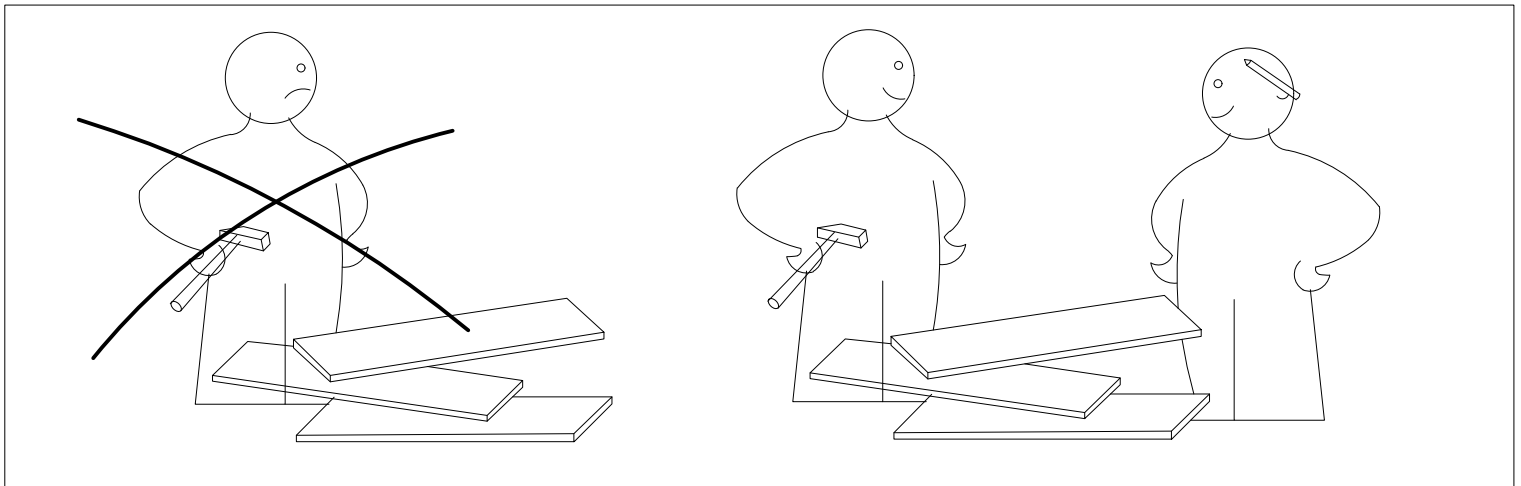
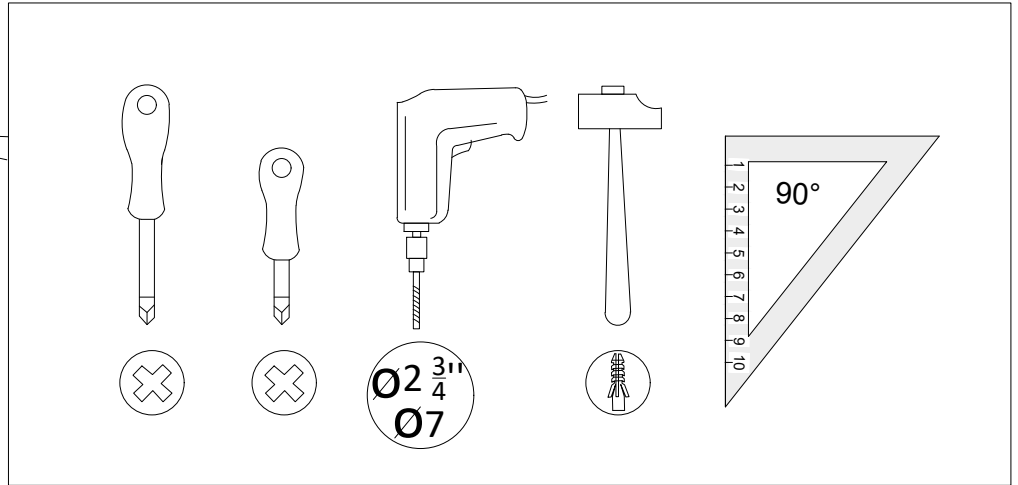
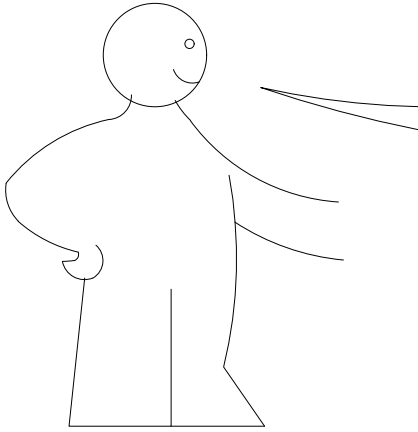
Tools are Your Allies: The toolkit provided isn't just for show. Each tool is a trusty sidekick in your quest for furniture glory. Disregarding their importance may result in frustration and a potential detour to the hardware store.

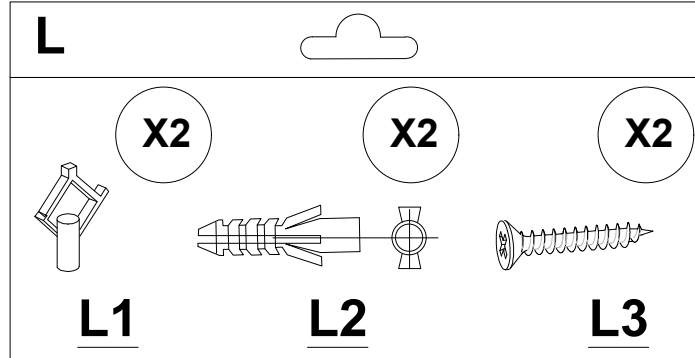
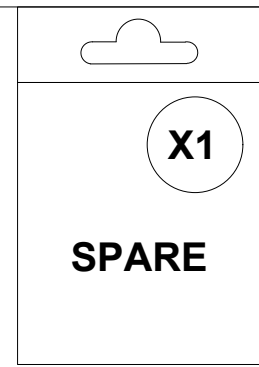
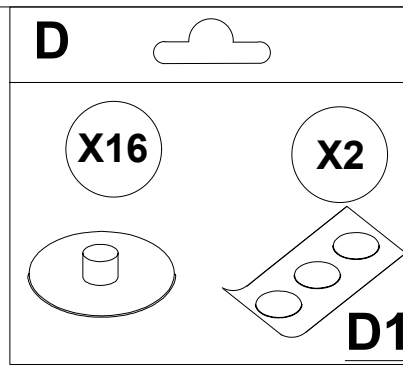
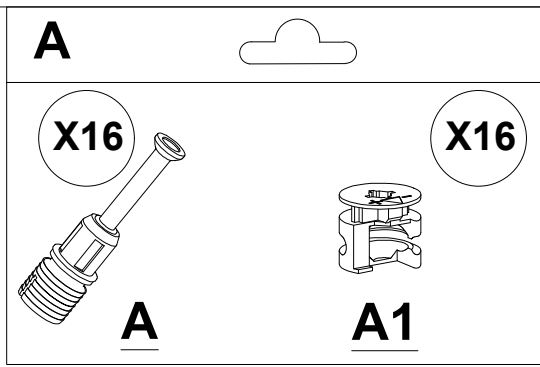
The Manual is Your Map: The assembly manual is not just a paperweight. It's your treasure map to furniture utopia. Ignoring its guidance may result in the dreaded disassembly-reassembly loop, a journey no one wants to embark upon.

Remember, brave assembler, you hold the power to turn a pile of parts into a functional masterpiece. With great power comes great responsibility. May your assembly journey be smooth, your Allen wrench swift, and your furniture stand tall and proud.

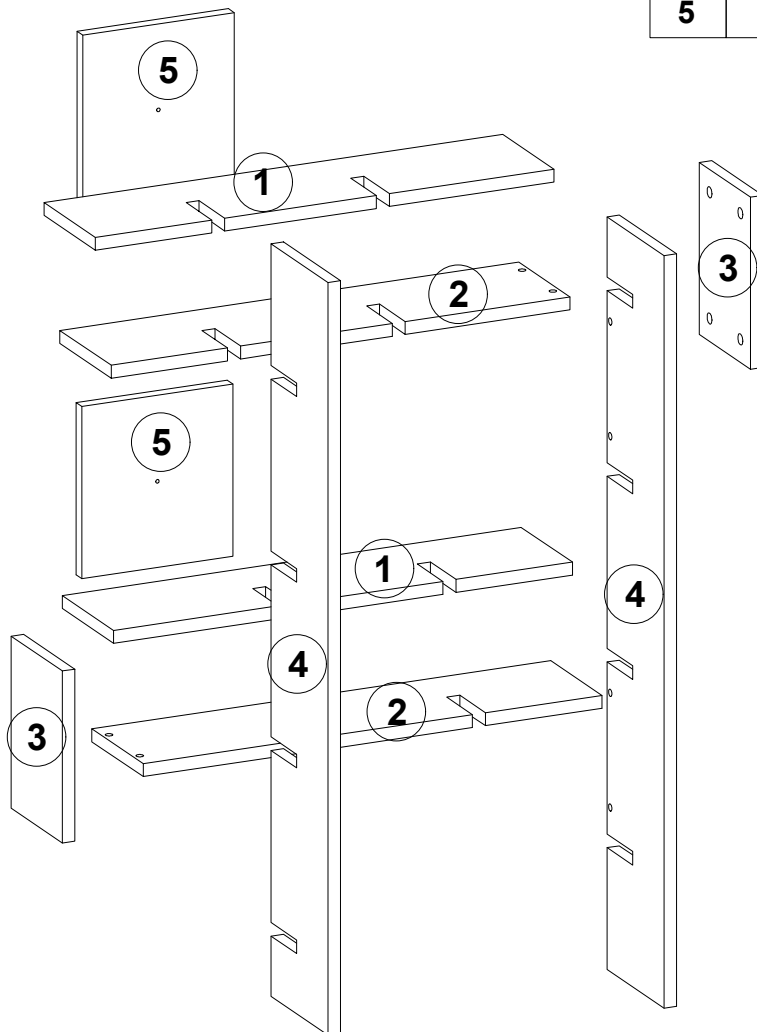
Happy assembling!

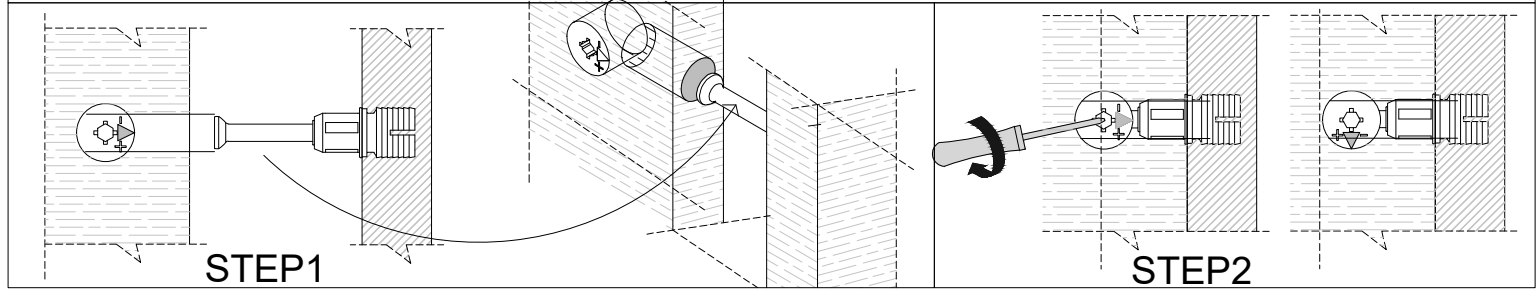
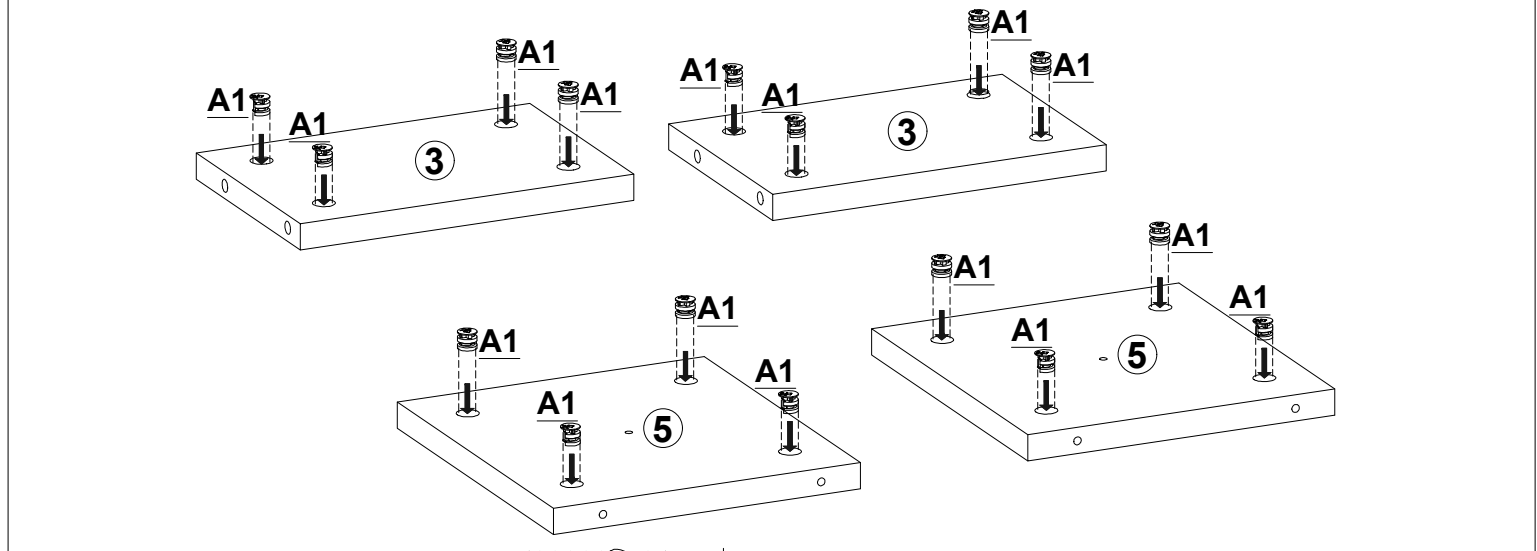
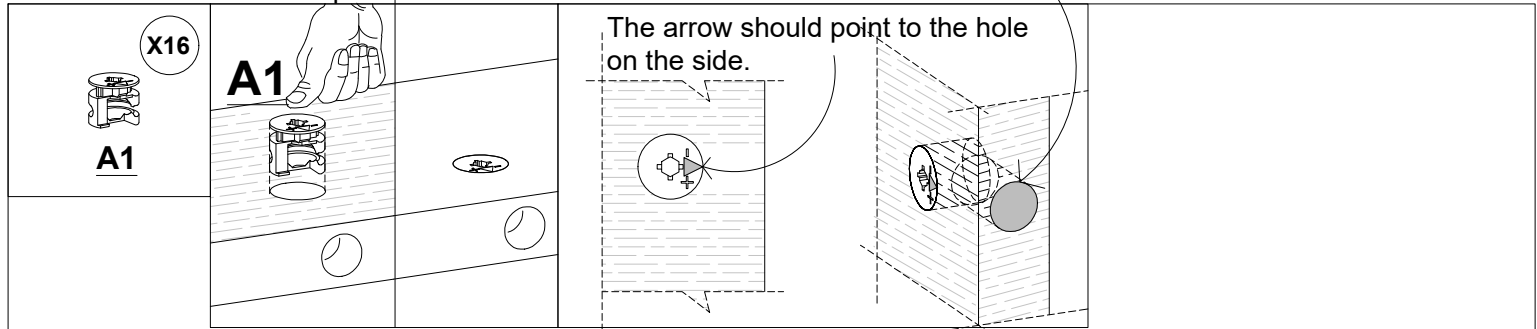
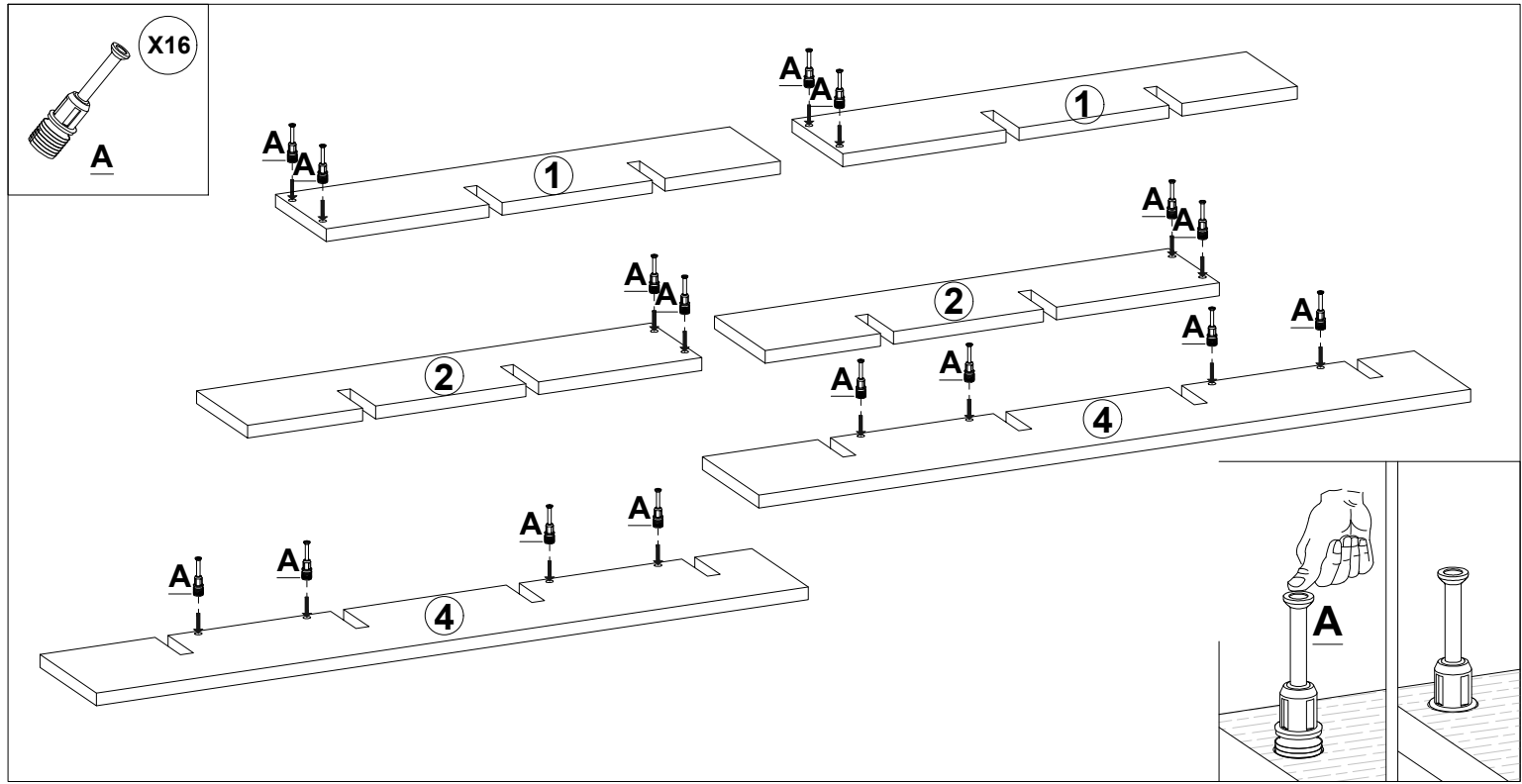
Use the drill only to secure the product to the wall.

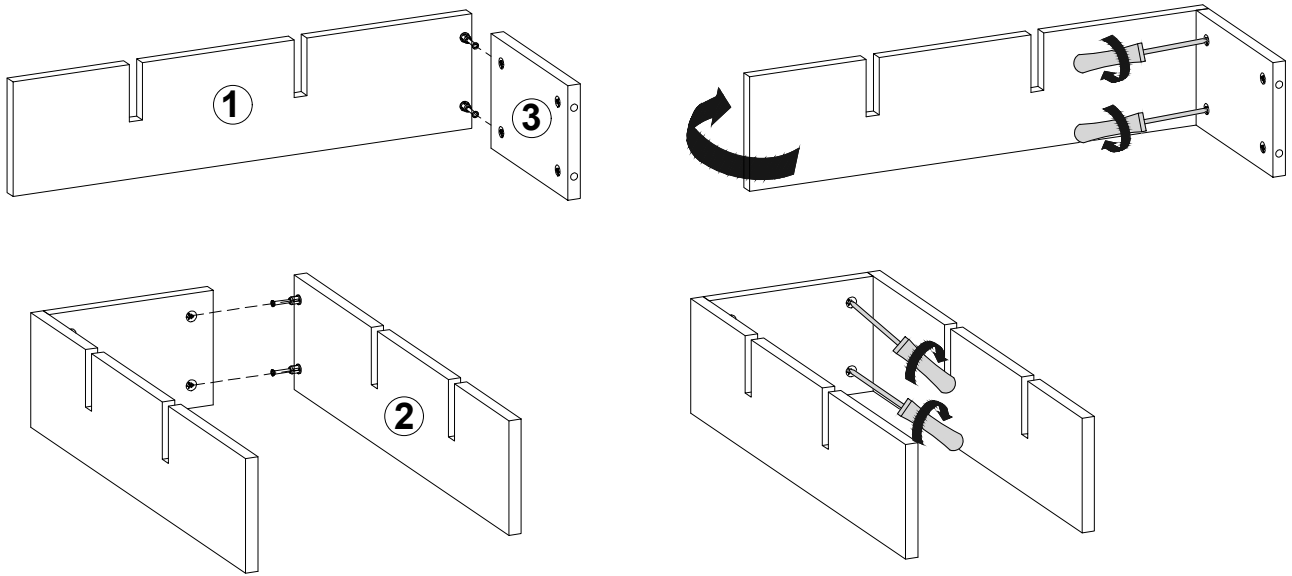




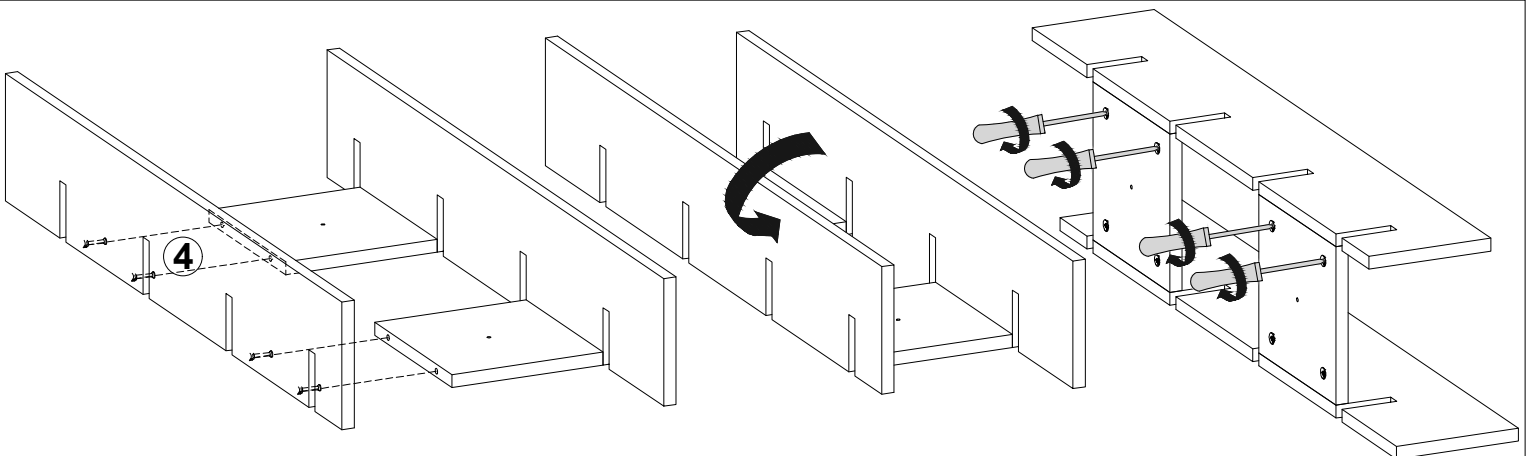
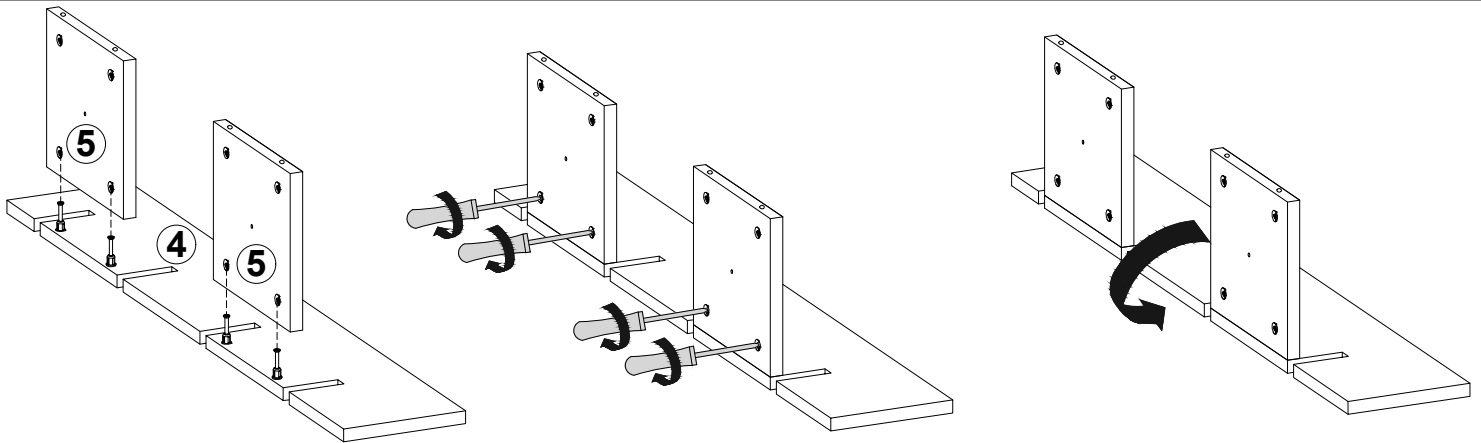
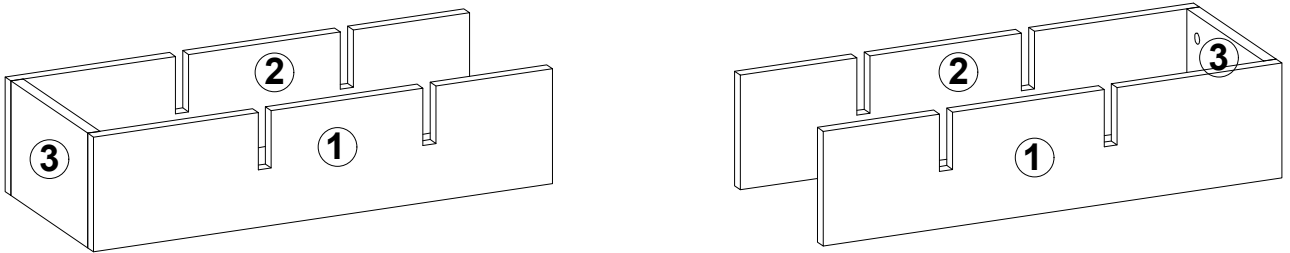
No	a*b(mm)	a*b(inches)	Pcs
1	670X160	26 3/8x6 1/4	2
2	670X160	26 3/8x6 1/4	2
3	240x160	9 1/2x6 1/4	2
4	1050x178	41 3/8x7	2
5	240x221	9 1/2x8 3/4	2

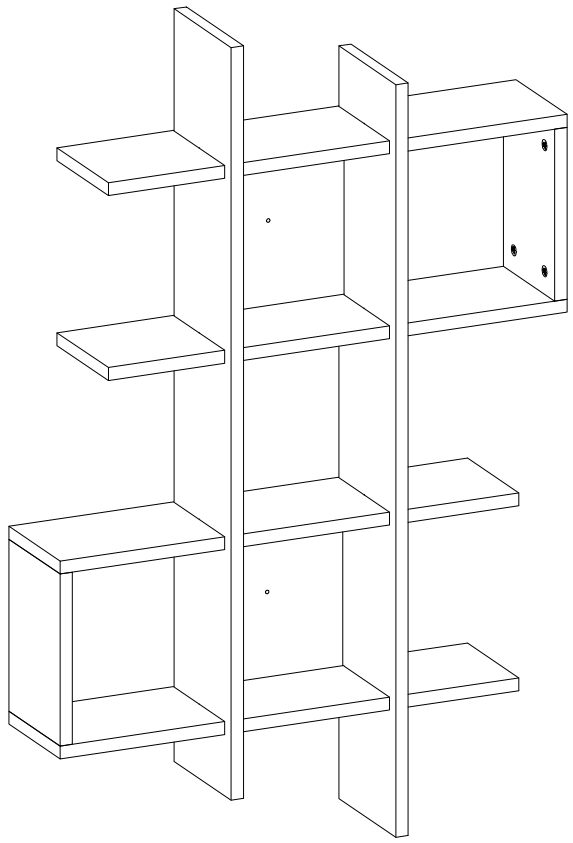
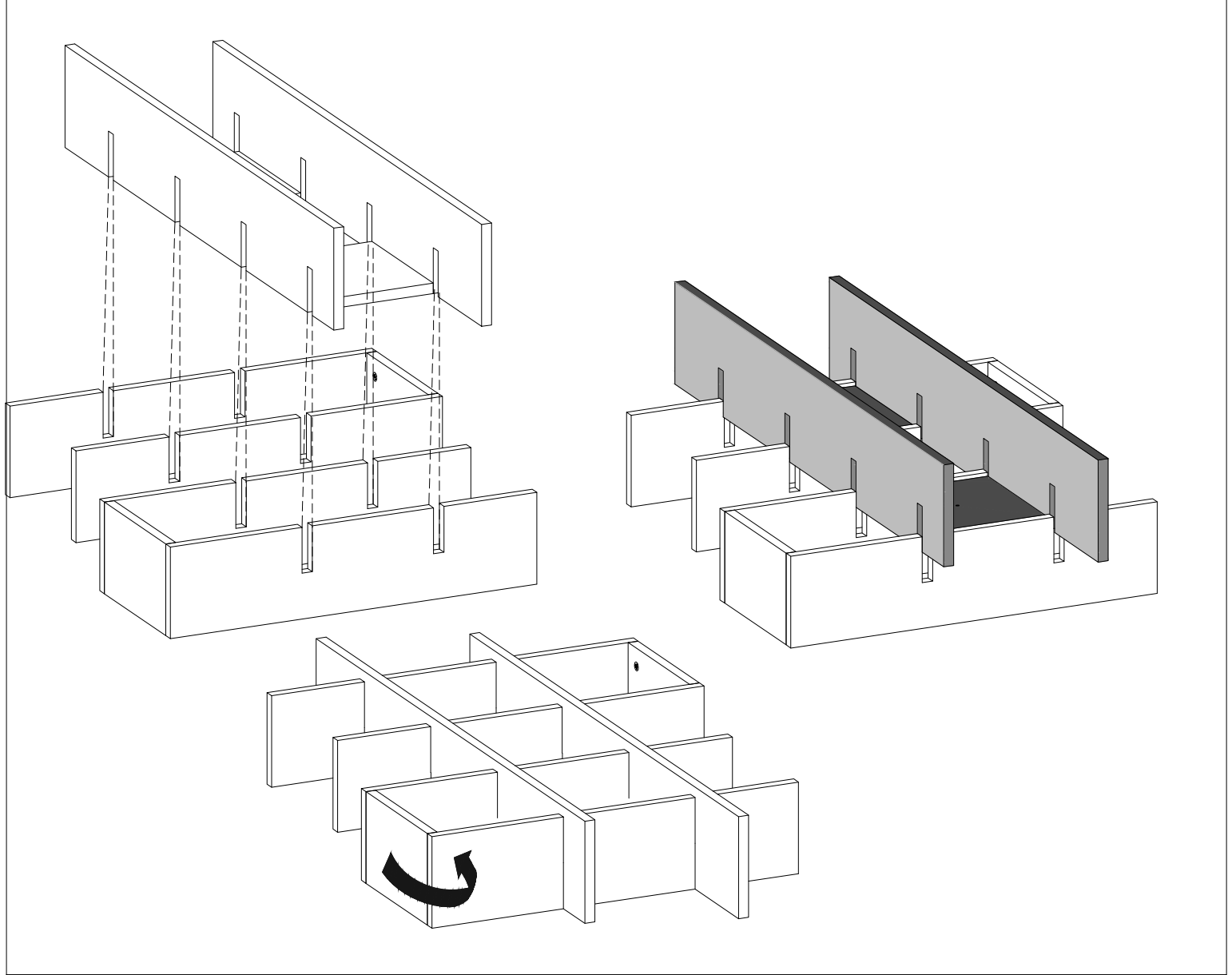






WARNING! Please read this page.
After assembling one module, assemble the other modules with the same numbers in the same way.







WARNING! Please read this page.

Since the product you purchased will be installed on the wall, proper positioning is important. When mounting on the wall, first mark the total measurements on the wall. Then, drill holes according to the marks and proceed with the installation. To ensure alignment in side-by-side modules, check the level with a spirit level each time.

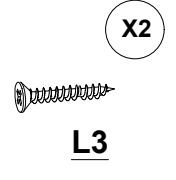
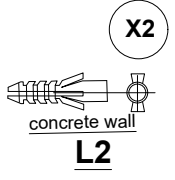
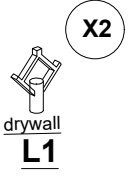
If you are uncertain about details such as wall type, thickness, or the location of electrical and plumbing installations, we recommend seeking professional installation assistance.

For ease of installation, you will need to use a power drill while following the steps below.

The box includes only drywall and concrete anchors with mounting screws. Use anchors and screws suitable for your walls. Carefully read and follow each step of the instructions.

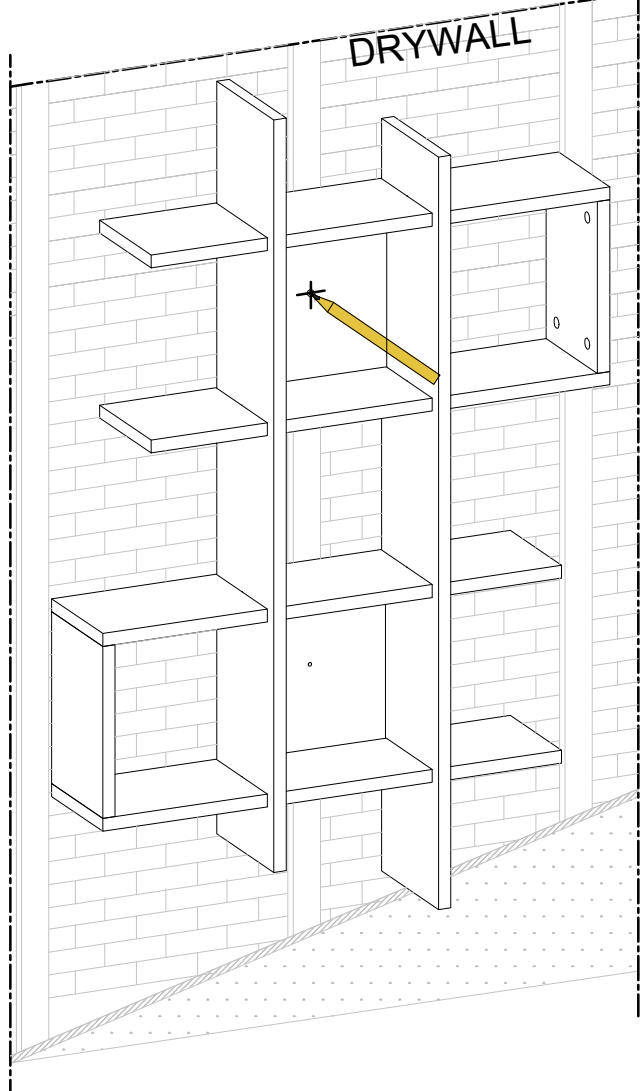


Scan for Wall Mounting Video

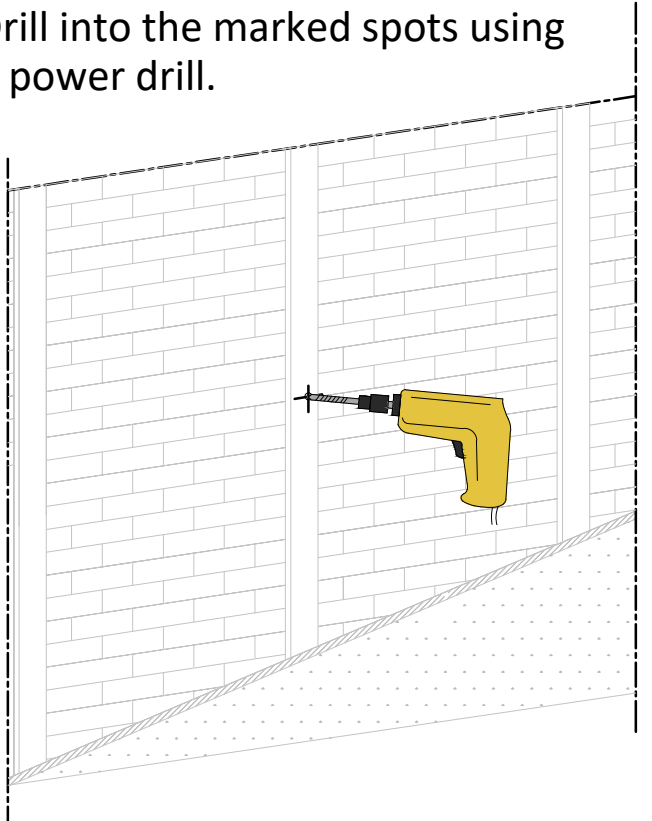


When drilling into a drywall, make sure at least one of the holes lines up with a stud.

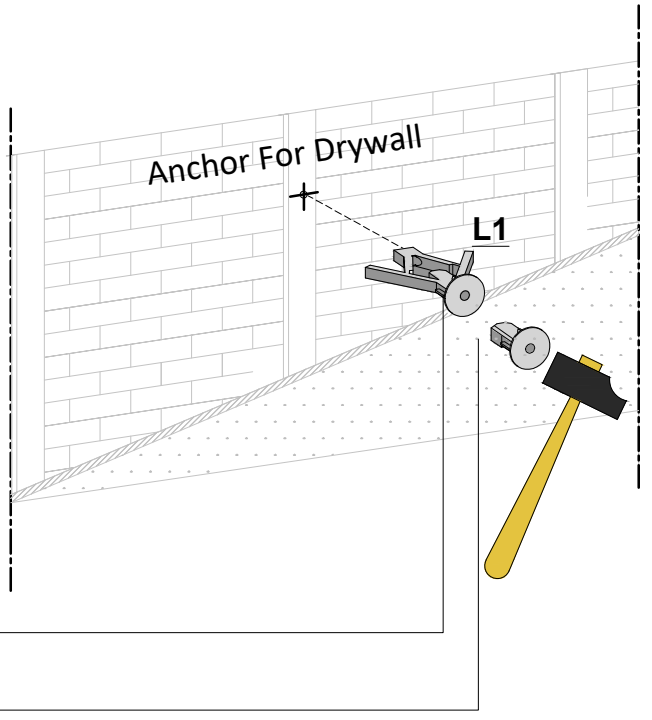
STEP1
Mark the upper hole on the wall with a pencil. If you don't have a fine-tipped pencil, you can press the L3 screw against the wall to leave a mark.



STEP2
Drill into the marked spots using a power drill.

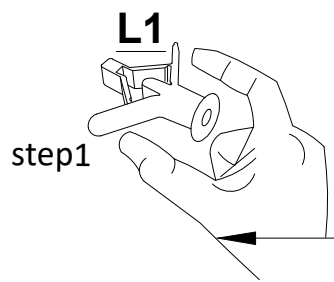
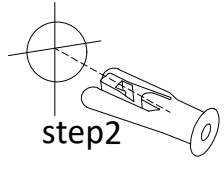


STEP3
Twist the dowel with your hand as shown and insert it into the hole. Make sure to secure it properly with a hammer.

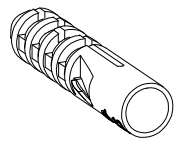


for drywall

*Press on both sides of the anchor to insert it into the hole



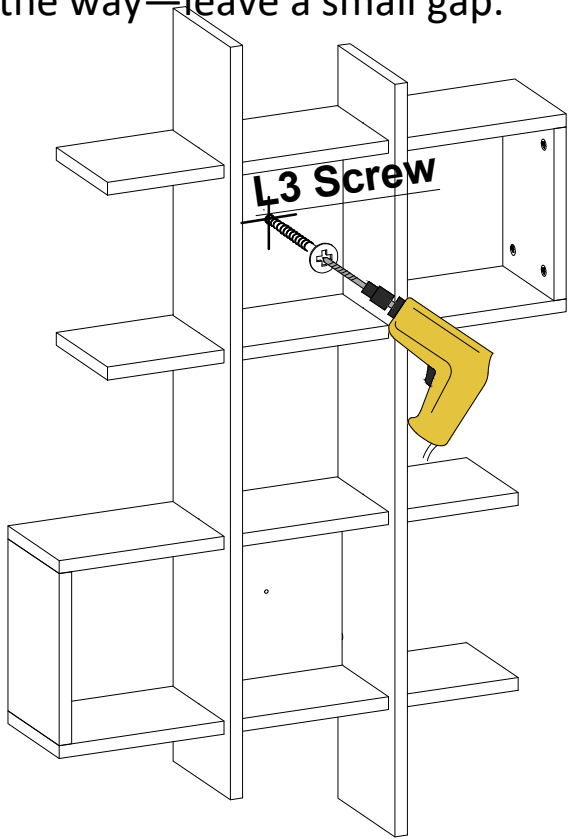
for concrete



or

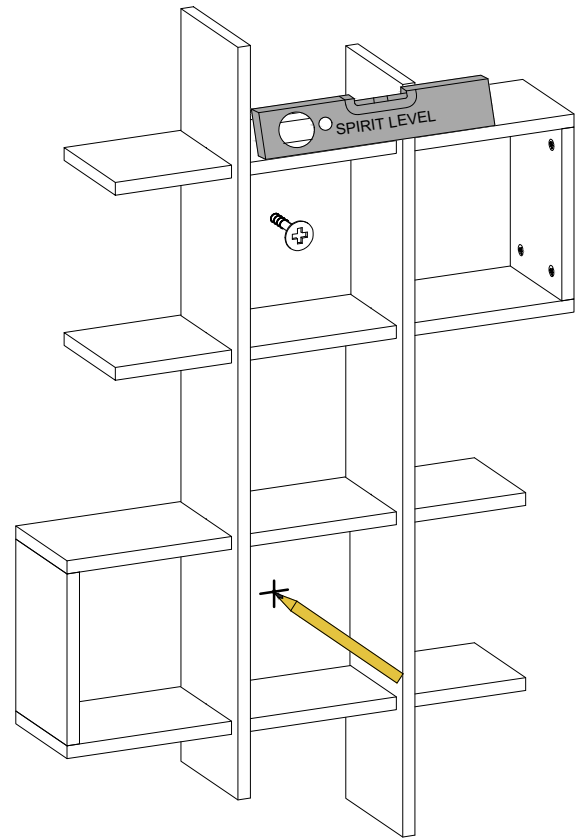
STEP4

Mount the product to the wall at the point where you installed the wall anchor, using the screw from bag L. Do not tighten the screw all the way—leave a small gap.



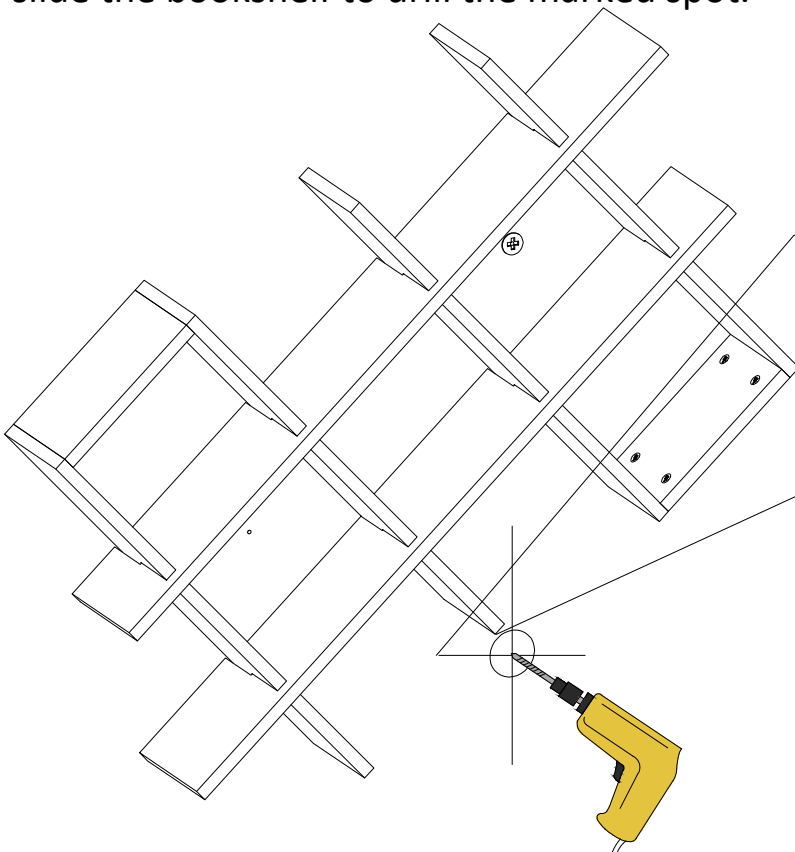
STEP5

Repeat the same steps you used for the upper hole on the lower side, and secure it as well.



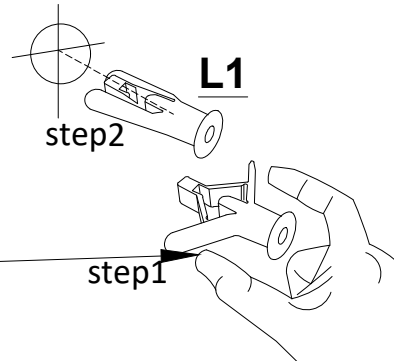
STEP6

After marking the lower hole as well, slightly slide the bookshelf to drill the marked spot.

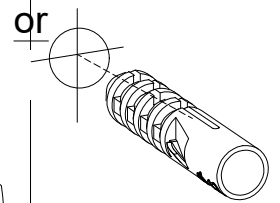


for drywall

*Press on both sides of the anchor to insert it into the hole

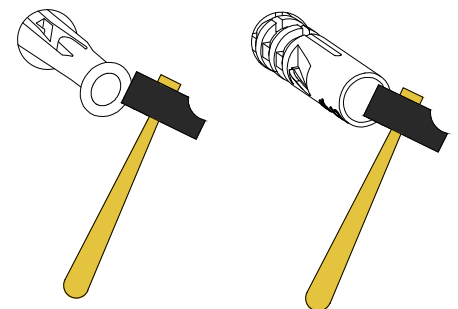


for concrete



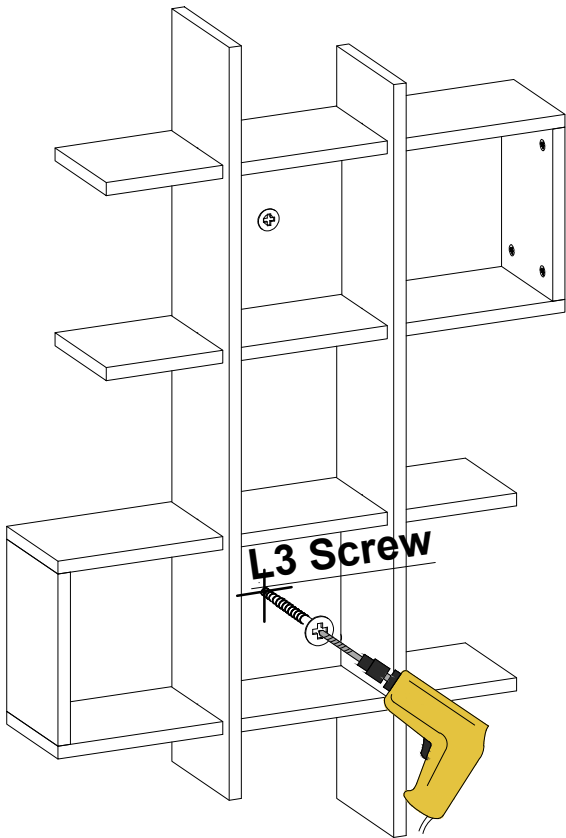
STEP7

Twist the dowel with your hand as shown and insert it into the hole. Make sure to secure it properly with a hammer.



STEP 8

Mount the product to the wall at the point where you installed the wall anchor, using the screw from bag L.



STEP 9

After securing the bottom part to the wall, tighten the upper screw firmly to secure it in place.

