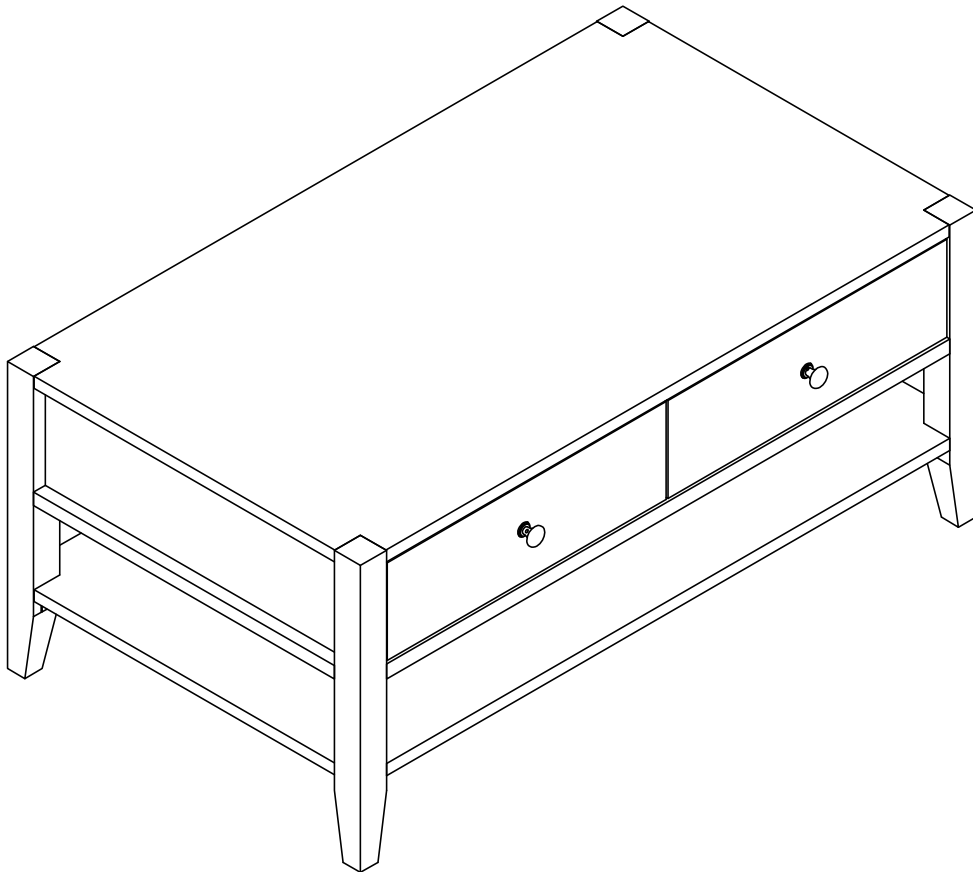
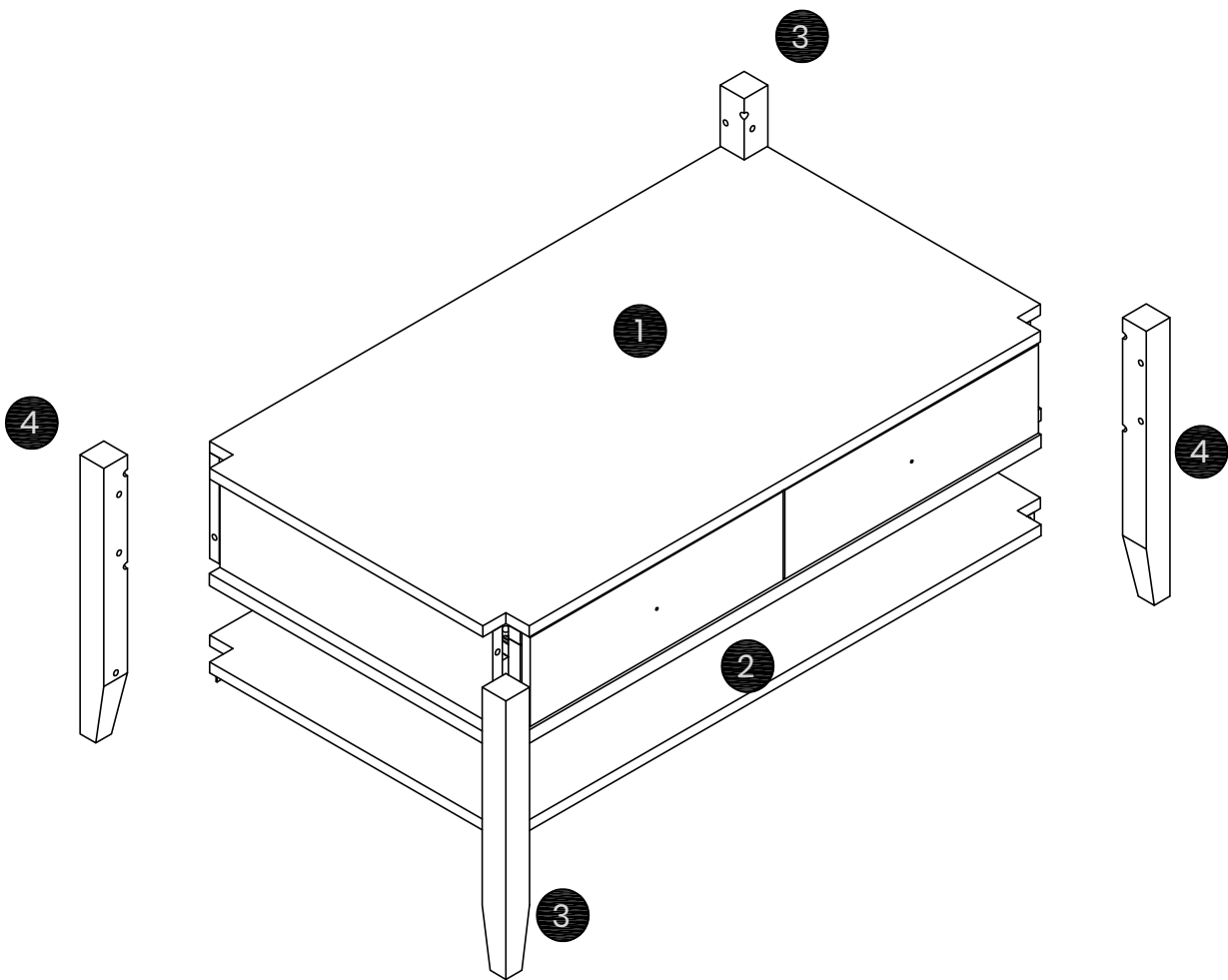




ModernMate

# ASSEMBLY INSTRUCTION



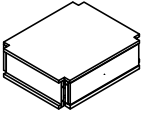
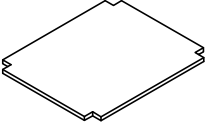

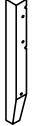




ModernMate

02

---

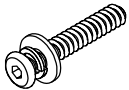

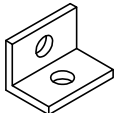



ID	Parts	QTY
1		1
2		1
3		2
4		2



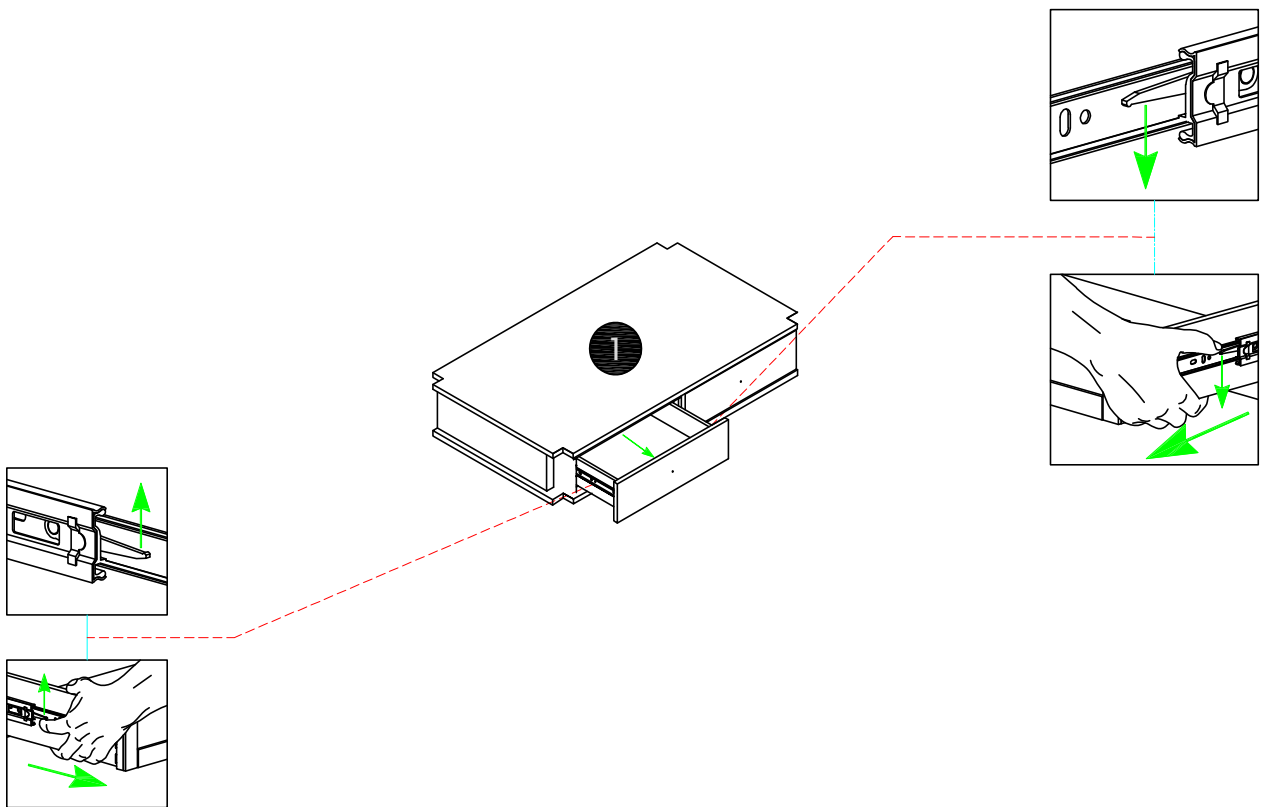
ModernMate

03

---

ID	Parts	QTY
A	1/4" × 50 	8+1
B	1/4" × 15 	8+1
C	2x20x20 	4
D	M4 - Hex key 	1
E	Handle 	2
F	M4x20 	2

# STEP 1

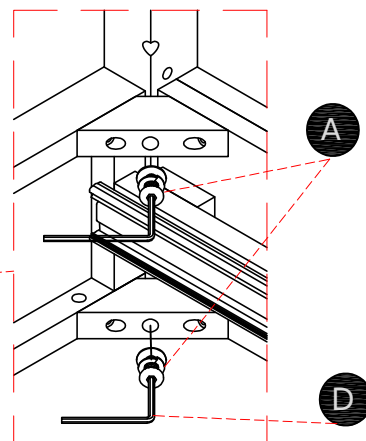
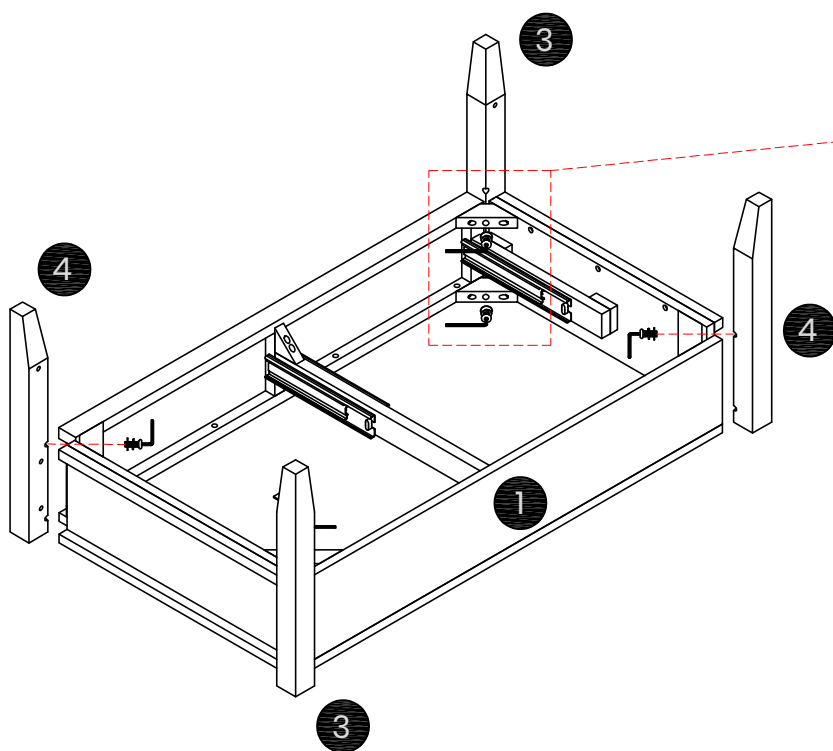
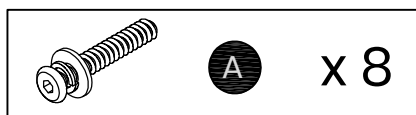




ModernMate

05

# STEP 2

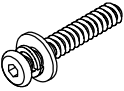
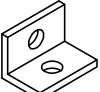


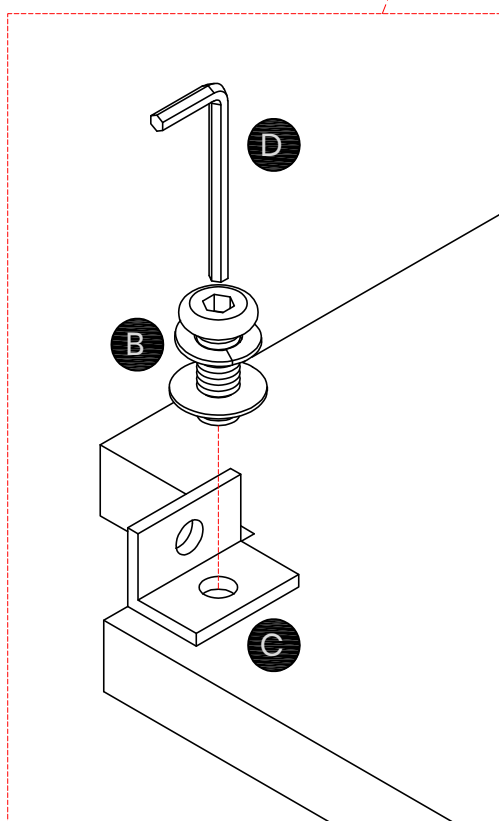
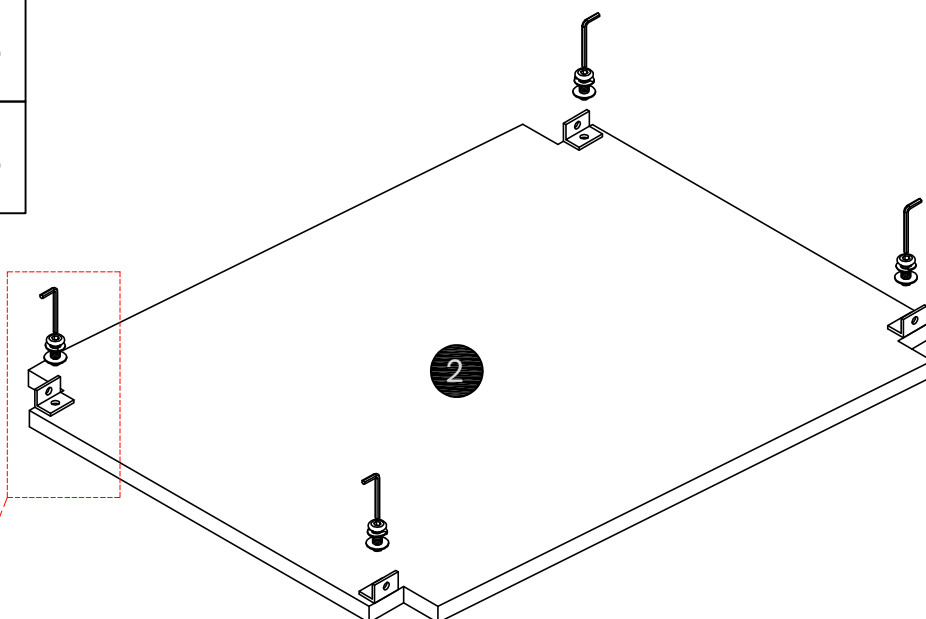


ModernMate

06

# STEP 3

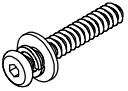
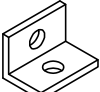
	<b>B</b>	x 4
	<b>C</b>	x 4

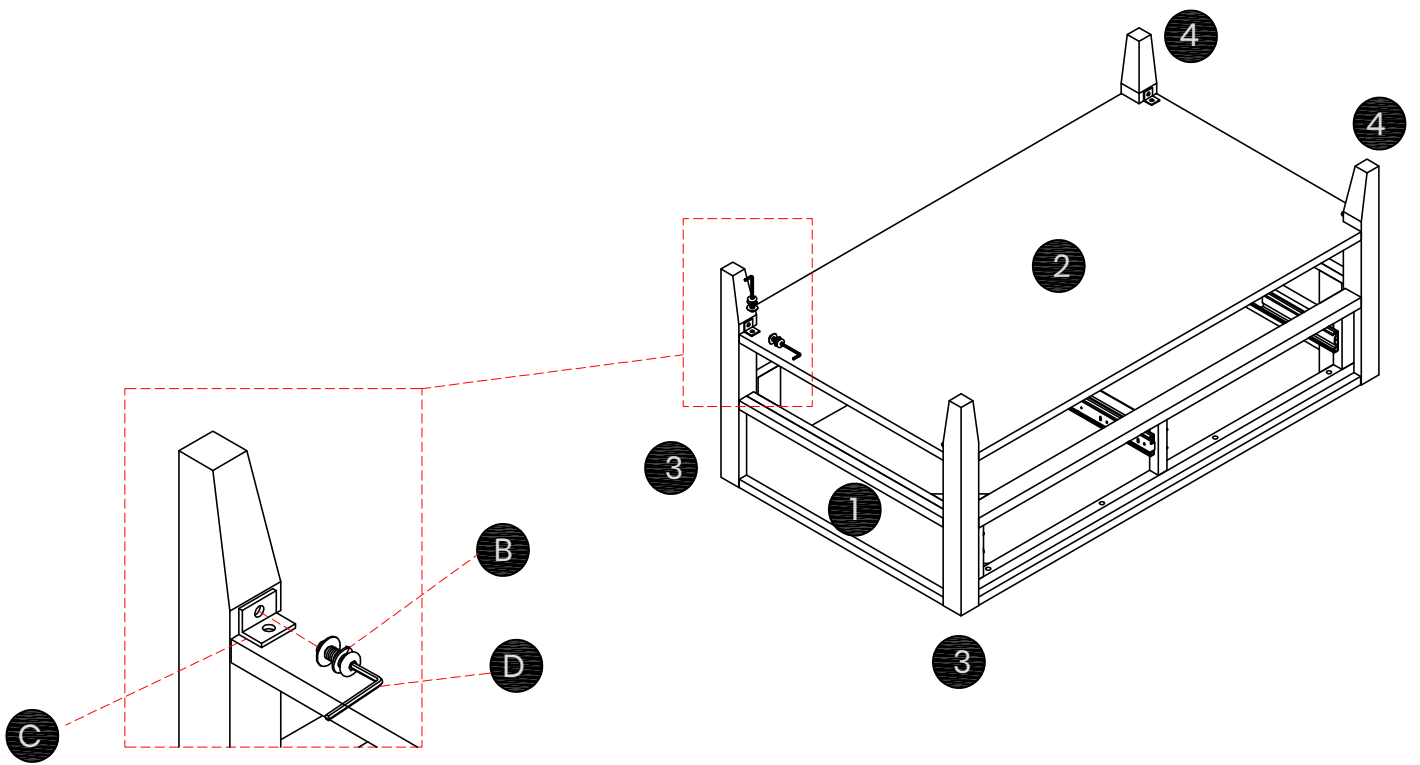




ModernMate

# STEP 4

	<b>B</b>	x 8
	<b>C</b>	x 4

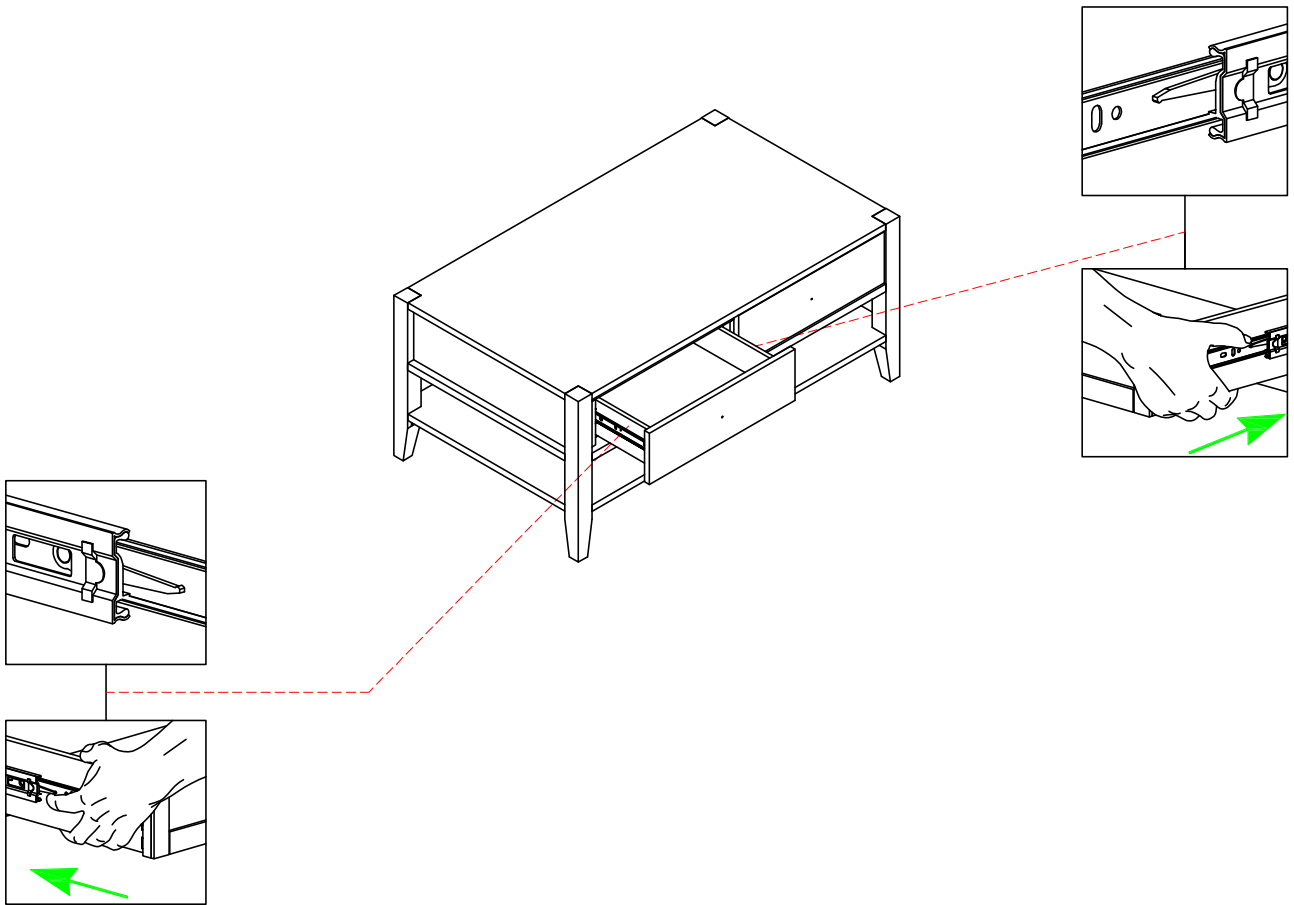




ModernMate

08

# STEP 5







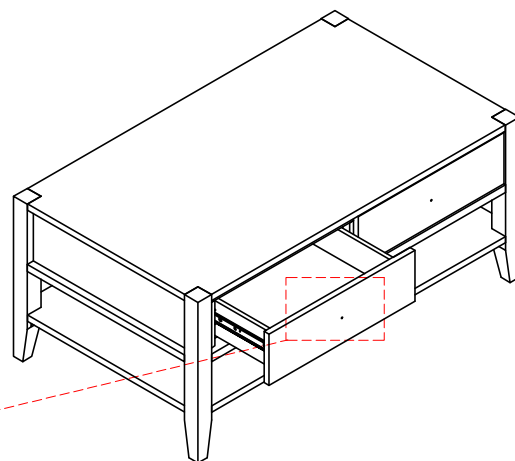
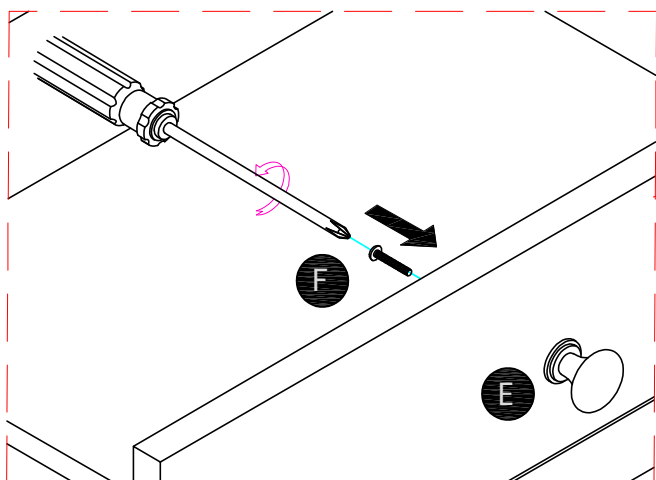


ModernMate

09

## STEP 3

		x 2
		x 2





ModernMate

10

---

## Need a hand?

Send an email support [@modernmate.net](mailto:support@modernmate.net)  
and our world-class support team will help you  
sort thing out