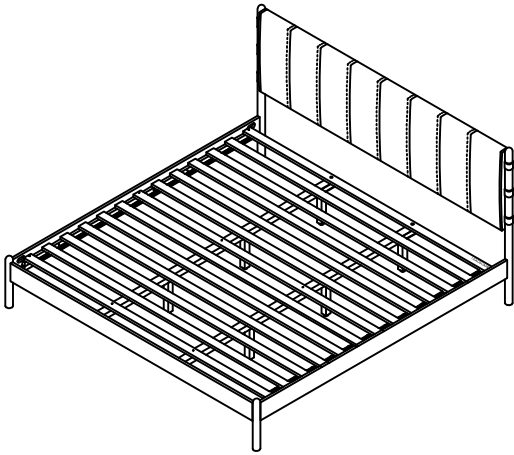


ASSEMBLY INSTRUCTIONS

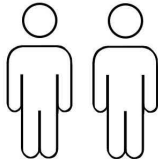
KING



+ Do Not Use Power Tools



+ Suggested Adults



NOTE:

- 1 Read instructions cover to cover.
- 2 Save all packaging until assembly is completed.

1 IMPORTANT SAFETY INFORMATION

Do not assemble the product if any of the following parts arrived damage:

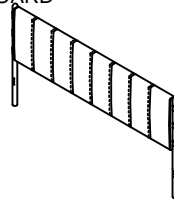
- Part 3 - Side Rails
- Part 4 - Center Support Bar
- Part 5 - Support Legs
- Part 6 - Slats

2 IMPORTANT ASSEMBLY INFORMATION

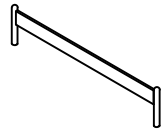
Assembly Step Ensure the side rail bracket is fully hooked onto bolt loosely threaded with both washers on the **OUTSIDE** of the bracket first, then proceed to fully tightening all 4 corners.

+ Parts Included

① HEADBOARD
(1 PC)



② FOOTBOARD
(1 PC)



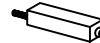
③ SIDE RAILS
(2 PCS)



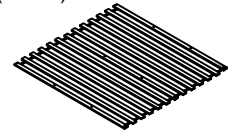
④ CENTER SUPPORT BAR
(2 PCS)



⑤ SUPPORT LEGS
(6 PCS)



⑥ SLATS
(1 SET)



+ Hardware Included

A M6 x 40mm
(2 PCS)



B M6 x 60mm
(8 PCS)



C M6
(8 PCS)



D M4 x 32mm
(10 PCS)



E M8 x 30mm
(4 PCS)

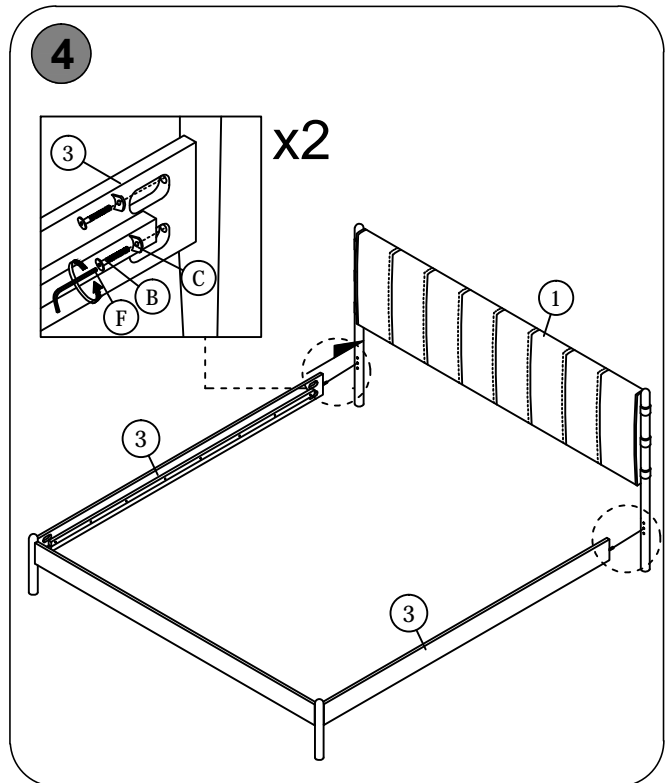
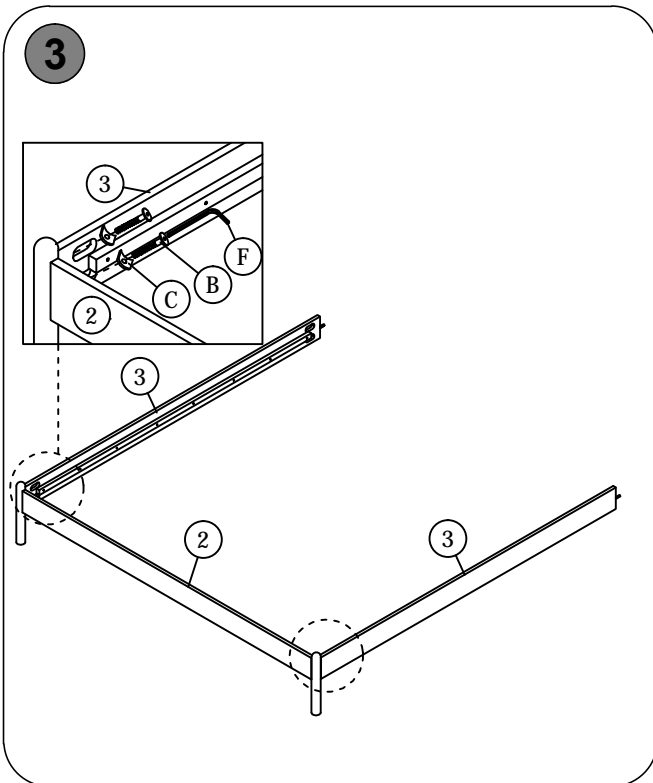
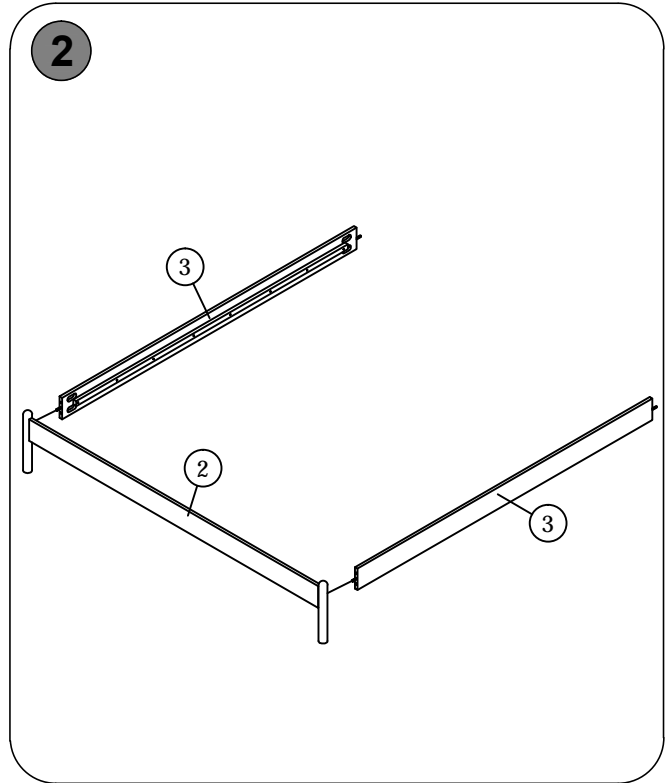
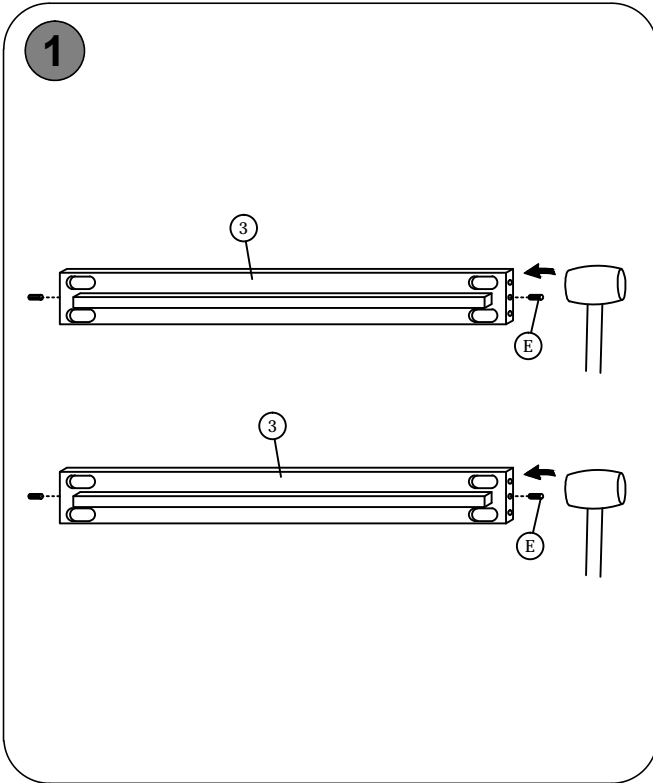


F M4
(1 PC)



ASSEMBLY INSTRUCTIONS

KING



ASSEMBLY INSTRUCTIONS

KING

