

LED SECURITY FLOODLIGHTS

Catalog No. : FSNX28-5CCT-BZ

Type : Flood/Wallpack

Project Name :

Location :

Qty :

Date :

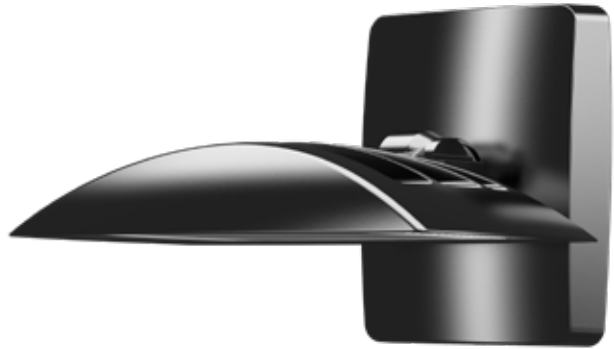


Suitable for
Wet Locations

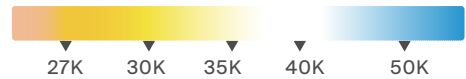


IP65

PROBRITE's incredibly versatile and reliable LED Flood Light with optional wallpack mount kit offers a wide range of outdoor security lighting applications, including landscape lighting, building perimeter lighting, driveway, or even signage lighting. The LED Floodlight is 5 CCT (color) selectable (Remote control provided with the light fixture) to customize the lighting experience. The light comes with two mounting options, wall/eave mount using the mounting plate and swivel knuckle flood mount.



FLOOD MOUNT
OPTION



WARM-TO-COOL SELECTABLE

PRODUCT PERFORMANCE AT A GLANCE

SYSTEM WATTAGE	LUMENS	LPW	CRI	REPLACES (Incandescent)
28W	3000 lm	107 lm/w	>70	100W

COLOR ADJUSTING
REMOTE



SWITCH CONTROL

HOUSING

Die cast aluminum housing with corrosion resistant powder-coated paint finish. It is designed to ensure cooling by natural convection and passive airflow, to let driver perform efficiently.

IP RATING & LISTINGS

LED light engine is weather proof and rated IP65, FCC Class-B, suitable for Wet Location.

OPTICS

Clear polycarbonate lens, does not alter beam and provide focused and clear lighting output.

MOUNTING

It can be mount on wall or eave and can also mount on ground as well with swivel knuckle flood mount.

FINISH

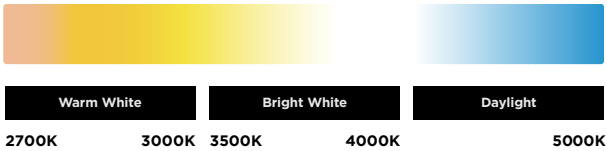
Fade, weather, and abrasion resistant, electrostatically applied, thermally cured, triglycidal isocyanurate (TGIC) textured polyester powdercoat bronze paint finish.

WARRANTY

Covered by a 5-year limited warranty. See probrite.com/warranty for details.

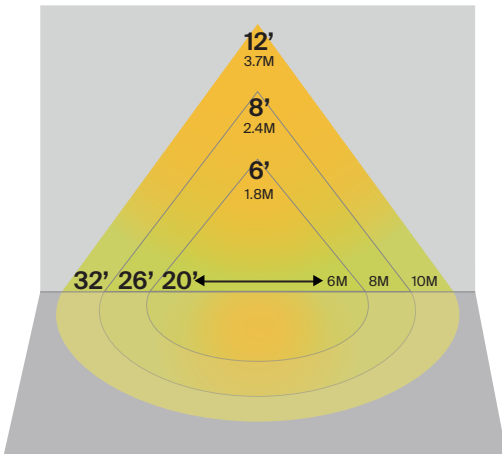
PRODUCT SPECIFICATION

Product Dimensions	: 7.24" x 8.72" x 5.35"
Weight	: 1.76 lbs
Lumens	: 3000
LED Wattage	: 28W
Efficacy	: 107
CRI	: >70
Replaces (Incandescent)	: 100W
Mounting	: Wall Mount/Eave Mount
Frequency	: 50-60Hz
THD (Total Harmonic Distortion)	: <20%
PF(Power Factor)	: >0.9
Ambient Operating Temperature	: (-30)-40°C
Input Voltage	: 120V
LED Chip	: -
Photocell	: No
Driver	: Non-dimming
Standard Lifetime	: 50,000 hrs
Standard Warranty	: 5 Years
Water Proofing Grade	: Suitable for wet location
CCT	: 2700K-5000K
Certifications	: FCC Certified, IP65

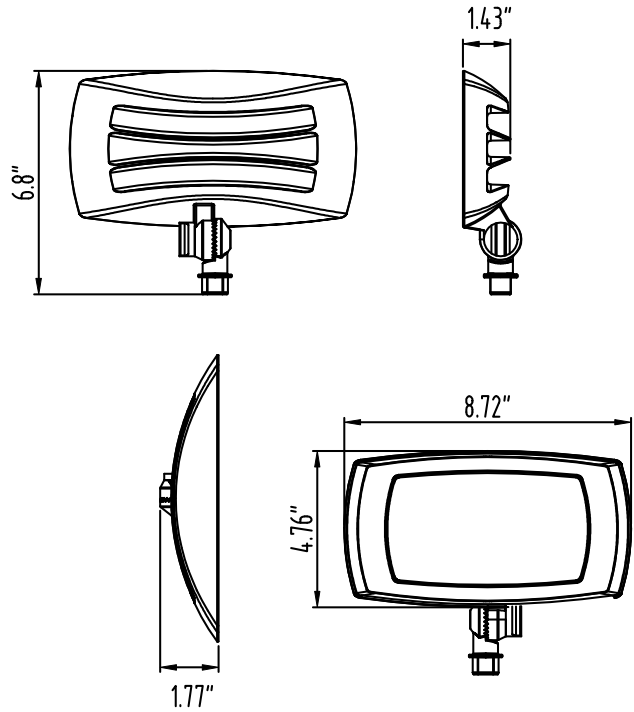


SUGGESTED MOUNTING HEIGHT:
6-12 FT.(1.8-3.7 M)

3D PHOTOMETRIC VIEW



PRODUCT LINE DRAWING



APPLICATION

SUITABLE FOR MULTIPLE APPLICATIONS

SECURITY • GENERAL LIGHTING • ENTRYWAYS
• DRIVEWAYS • BACKYARDS • SIGNAGE

