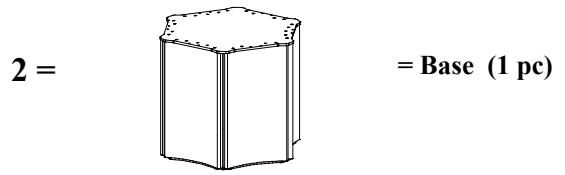
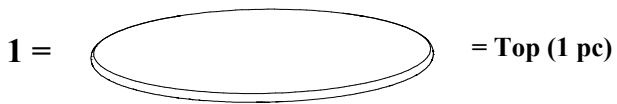
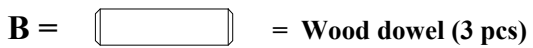


ASSEMBLING INSTRUCTION DINING TABLE

Table Part



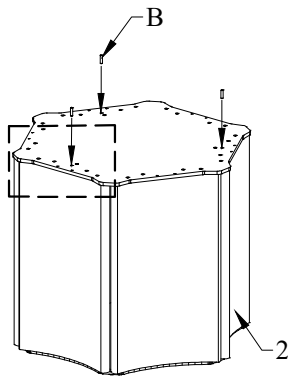
Hardware Kit



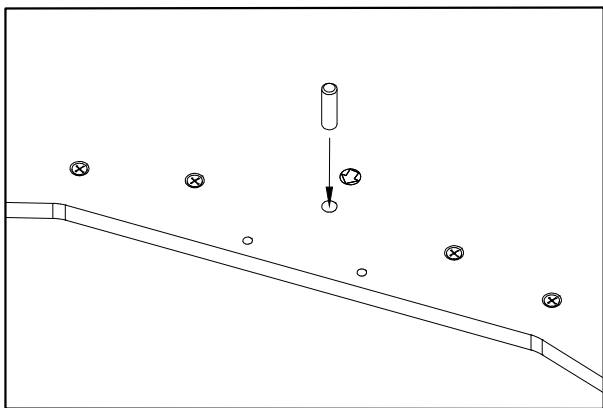
Assembly Tips :

1. Please identify and check all parts and hardware before assembling.
2. Please read and follow each instructions step by step.
3. It is recommended that this item should be assembled by six adults.

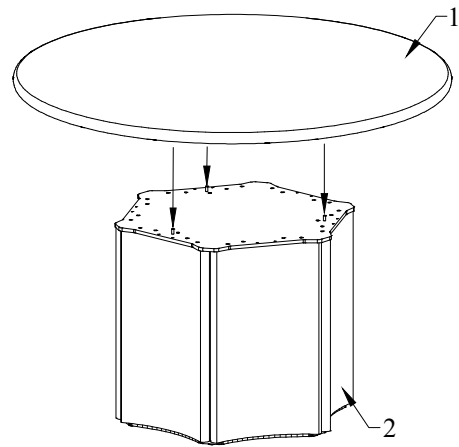
1



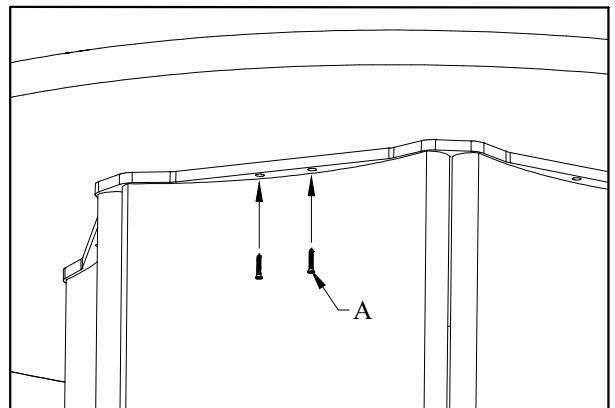
Insert wood dowels (B).



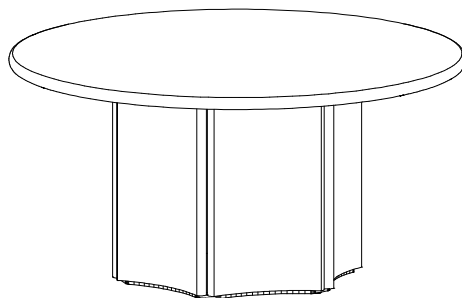
2



Attach the top (1) with the base (2) by following wood dowels as guiding, and lock it with screws (A) using a screw driver.



3



Assembly completed.