

# ASSEMBLY INSTRUCTION

## FULL AND QUEEN HEADBOARD

**A** Headboard



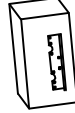
1pc

**B** Left Wooden Frame



1pc

**C** Right Wooden Frame



1pc

**D** Wooden Leg



2pcs

**E** Bolt  
1/4" x 78mm



2pcs

**F** Bolt  
1/4" x 65mm



10pcs

**G** Flat Washer



12pcs

**H** Lock Washer



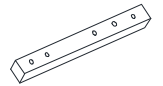
12pcs

**I** Allen Wrench

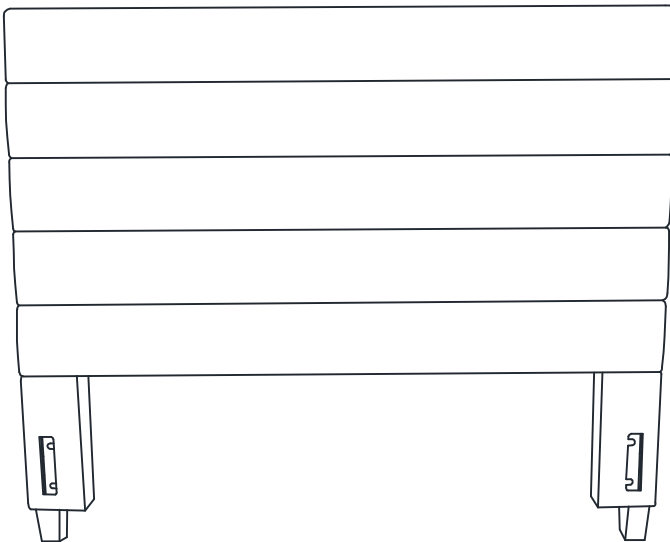


1pc

**J** Slate



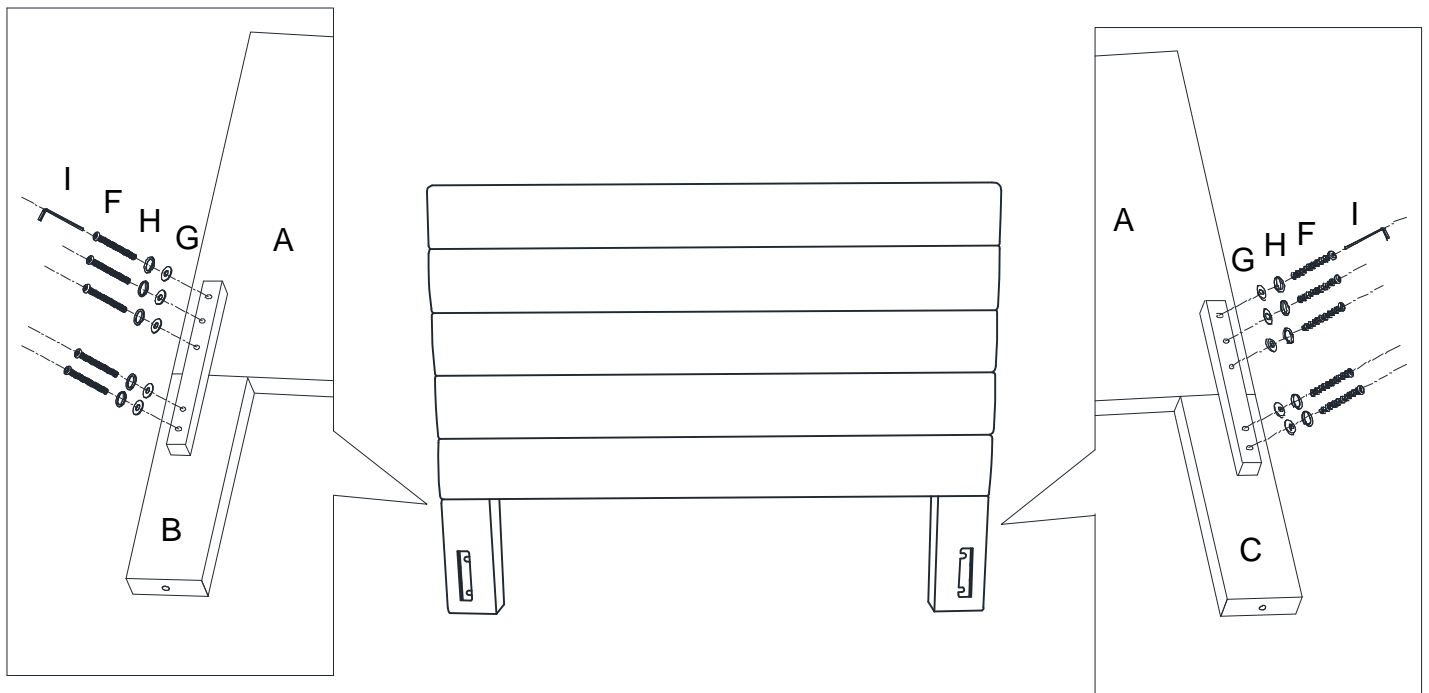
2pcs



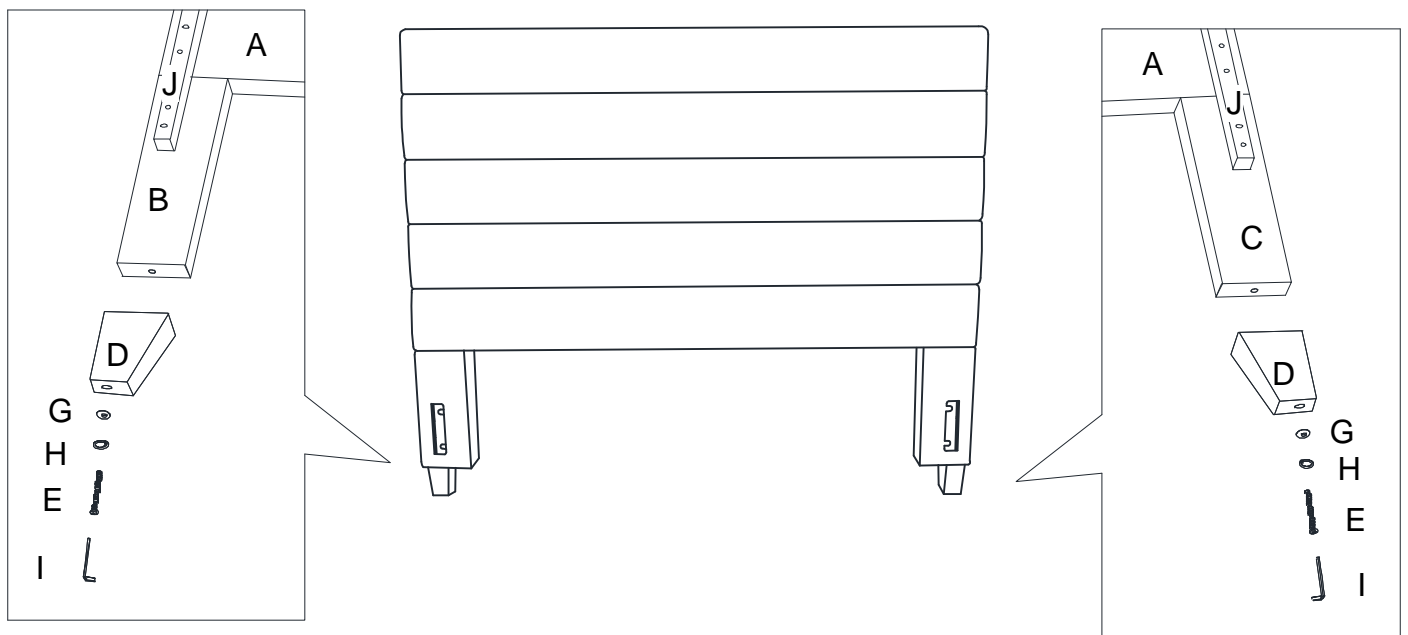
This page lists all the contents included in the box. Please take the time to identify the hardware as well as the individual components to this product. As you unpack and prepare for assembly, place the contents on a carpeted or padded area to protect them from damage.

**1**

Attached left Wooden Frame (B) and right Wooden Frame (C) to the Headboard (A) use Bolt (F), Lock Washer (H) and Flat Washer (G) on holes of Slates (J). Turn the Allen Wrench (I) in Bolt (F).

**2**

Attached Wooden Leg (D) to the Wooden Frame (B) (C) use Bolt (E), Lock Washer (H) and Flat Washer (G) on both of holes. Turn the Allen Wrench (I) in Bolt (E).



### Cleaning & Care

Treat surface with care. Surface is resistant to scratches but is not scratch resistant. Clean surfaces with a dry or damp soft cloth. Do not use abrasive cleaners. Hardware may loosen over time. Periodically check that all connections are tight.

# ASSEMBLY INSTRUCTION

## WINGBACK QUEEN AND FULL BED WITH REGULAR SLATS

**A** Footboard



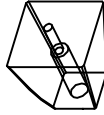
1 pc

**B** Side Rails



2 pcs

**C** Wooden Leg



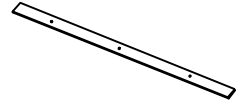
2 pcs

**D** Support Leg



6 pcs

**E** Wooden Slat



3 pcs

**F** Screw



12 pcs

**G** Bolt  
1/4" x 75mm



2 pcs

**H** Bolt  
1/4" x 50mm



6 pcs

**I** Flat Washer



8 pcs

**J** Lock Washer

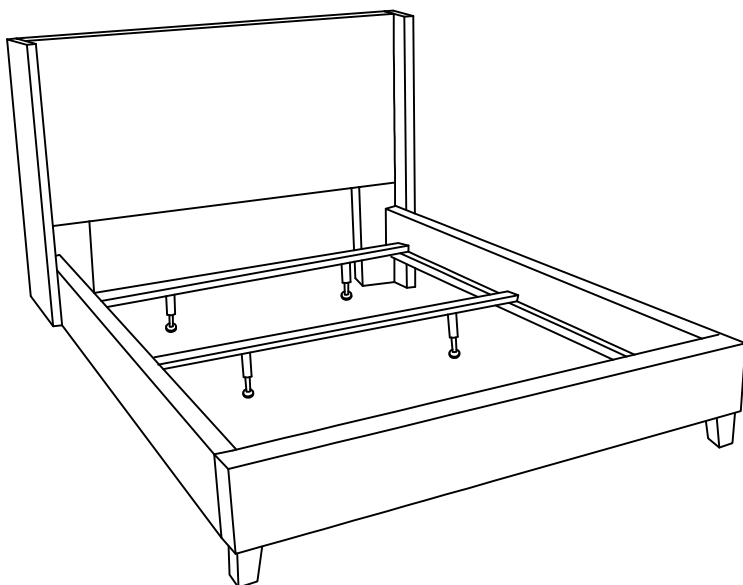


8 pcs

**K** Allen Wrench

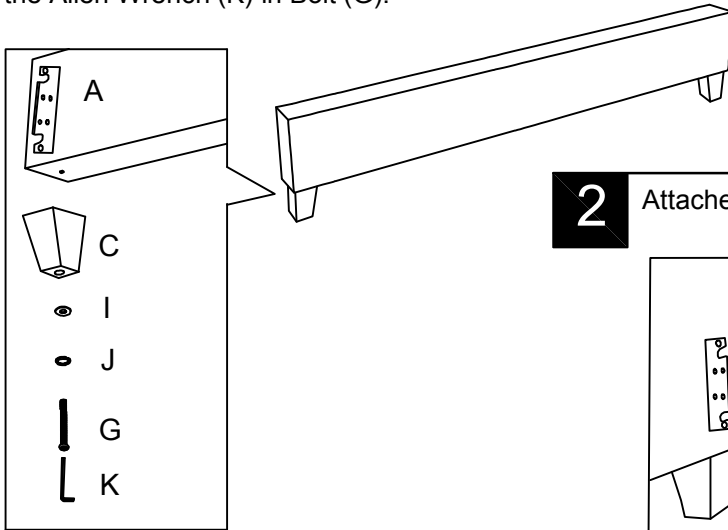


1 pc

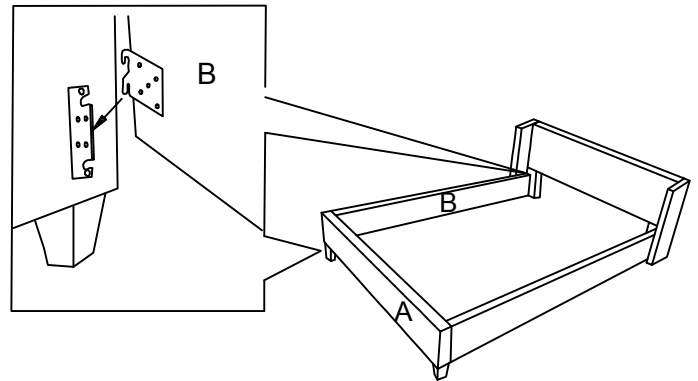


This page lists all the contents included in the box. Please take the time to identify the hardware as well as the individual components to this product. As you unpack and prepare for assembly, place the contents on a carpeted or padded area to protect them from damage.

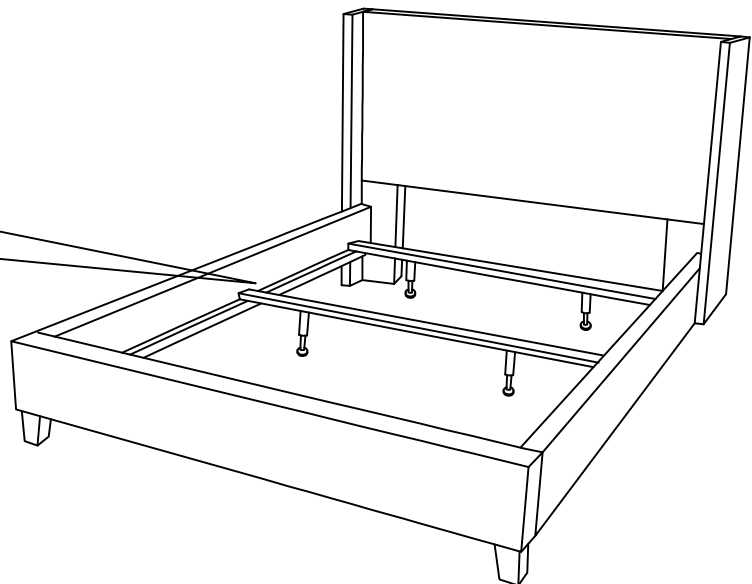
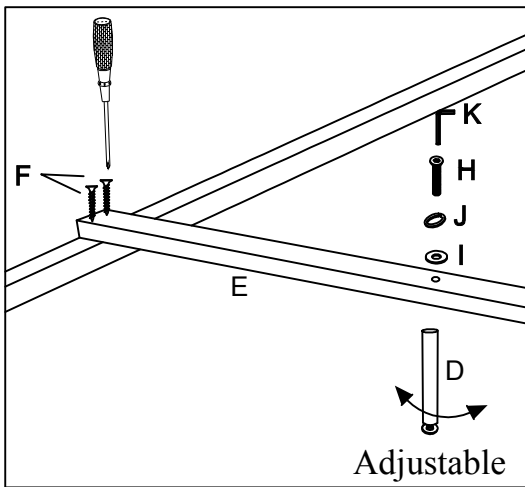
- 1** Attached Wooden Leg (C) to the Footboard (A) use Bolt (G), Lock Washer (J) and Flat Washer (I) on both of holes. Turn the Allen Wrench (K) in Bolt (G).



- 2** Attached Side Rail (B) to the Headboard and Footboard (A).



- 3** Assembly Wooden Slats (E) and Support Leg (D) use Flat Washer (I), Lock Washer (J) and Bolt (H), Turn the Allen Wrench (K) in Bolt (H).



### Cleaning & Care

Treat surface with care. Surface is resistant to scratches but is not scratch resistant. Clean surfaces with a dry or damp soft cloth. Do not use abrasive cleaners. Hardware may loosen over time. Periodically check that all connections are tight.