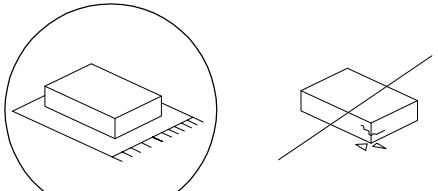





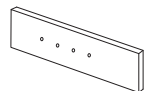
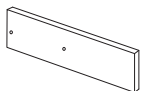
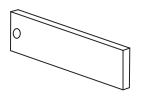
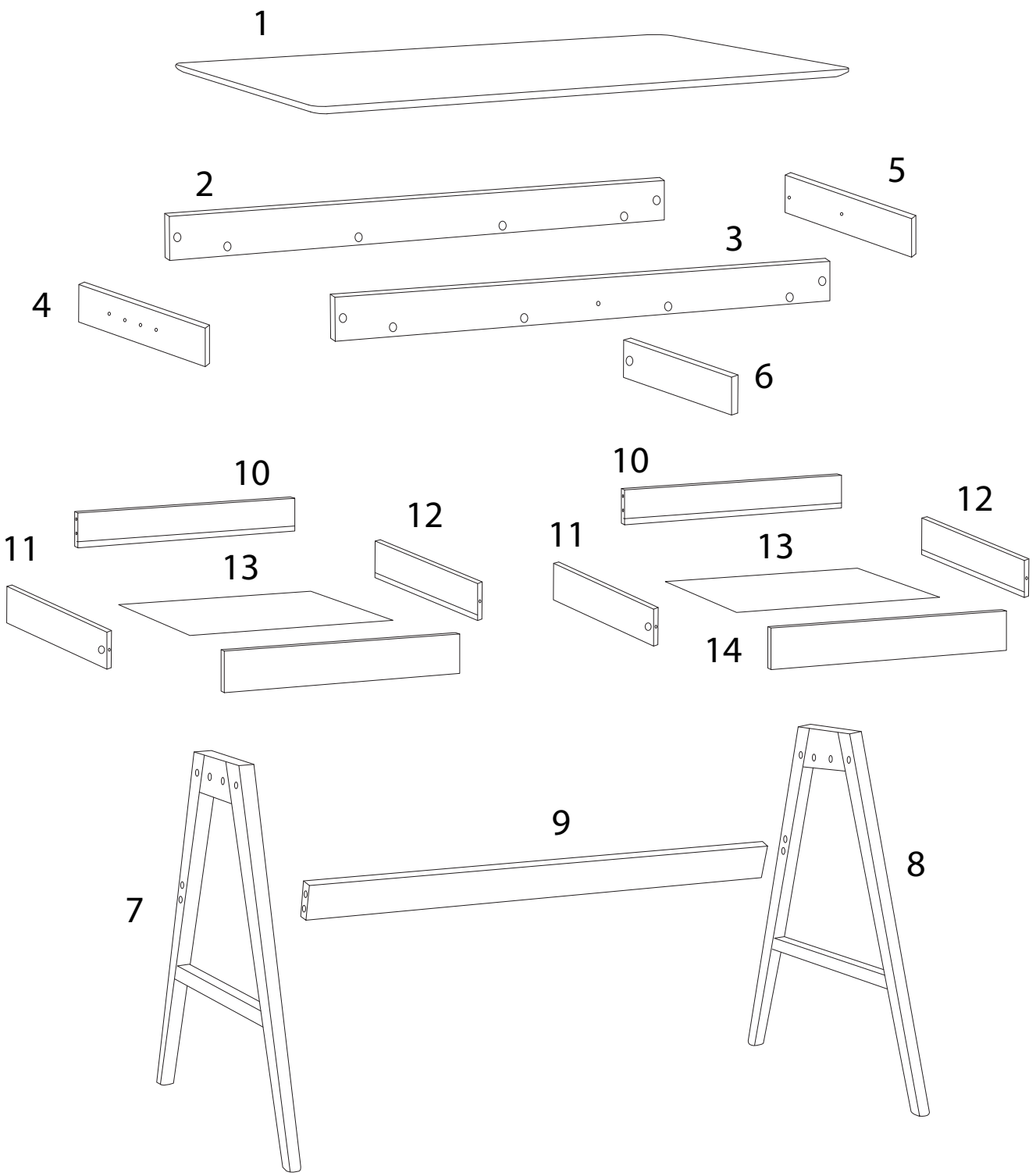
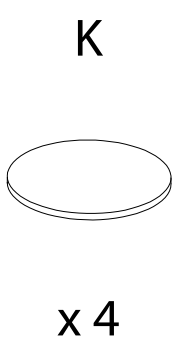
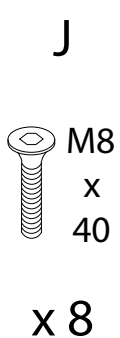
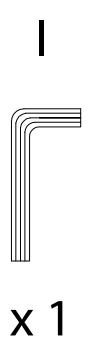
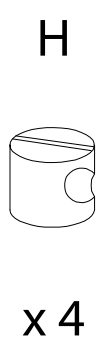
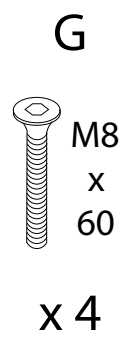
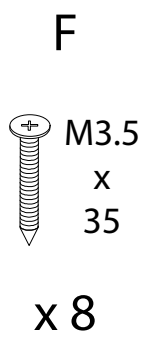
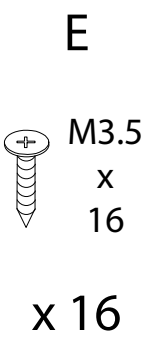
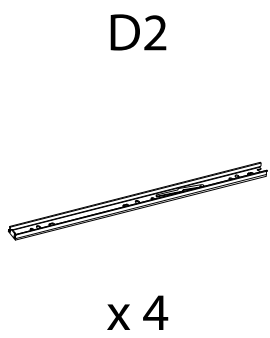
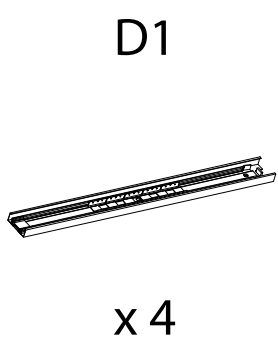
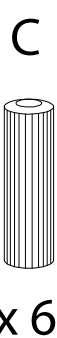
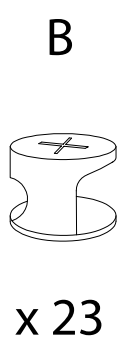
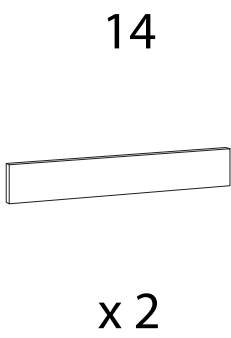
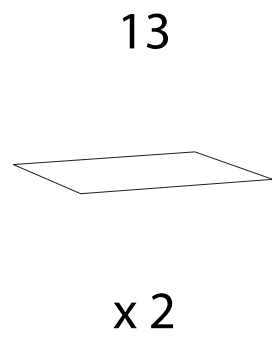
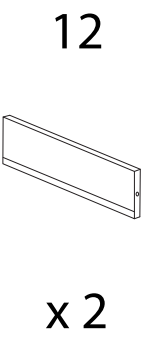
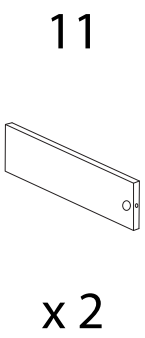
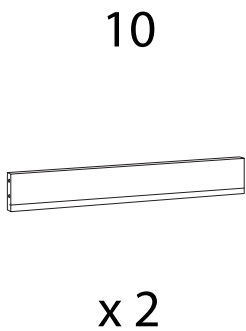
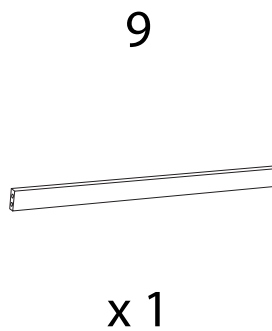
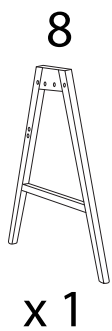
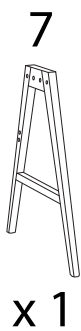
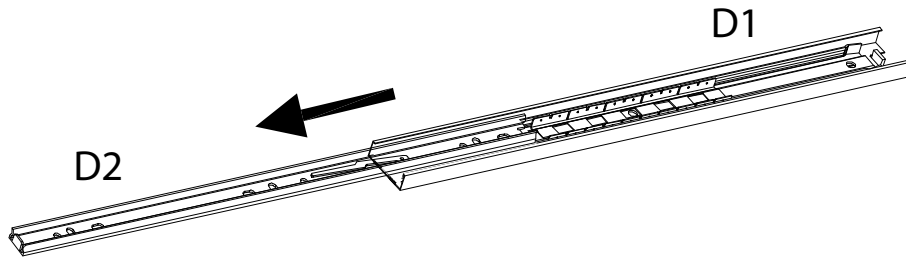

		<b>60'</b>
		
		<b>2</b>

1	2	3	4	5	6
					
x 1	x 1	x 1	x 1	x 1	x 1

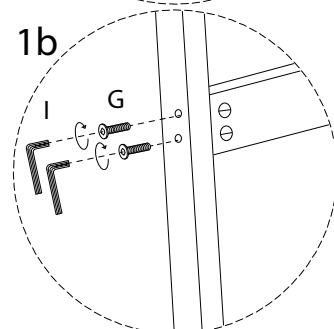
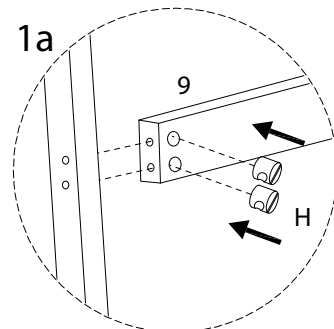
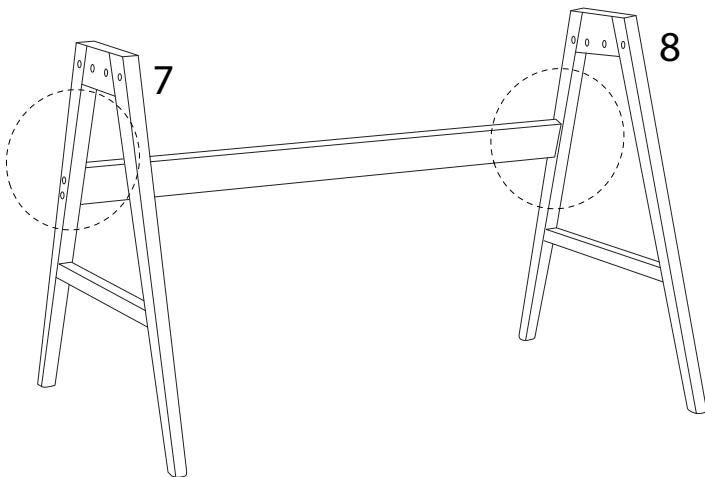
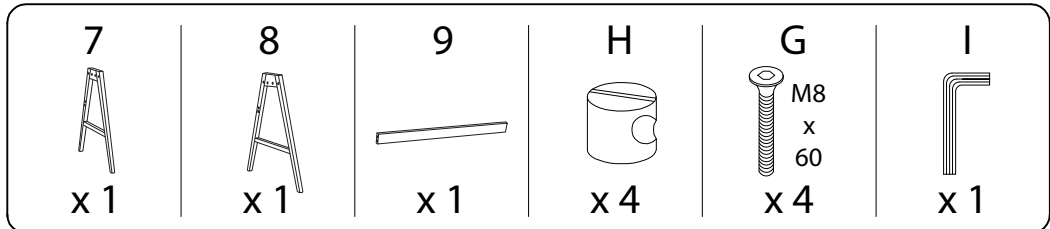




!

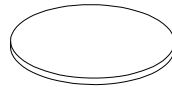


1

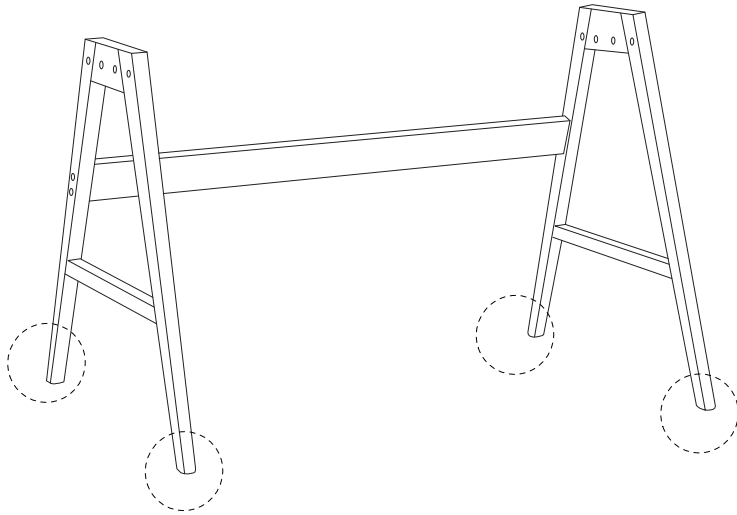


2

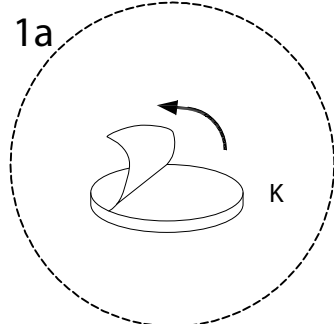
K



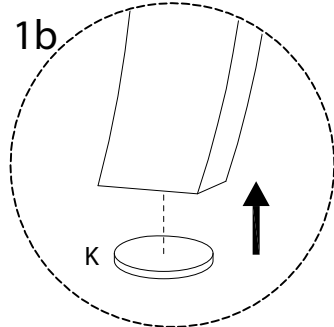
x 4



1a

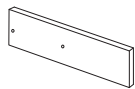


1b



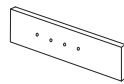
3

4



x 1

5

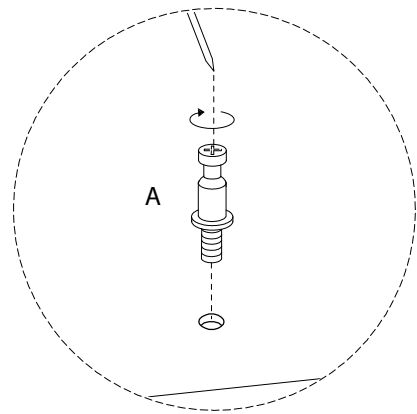
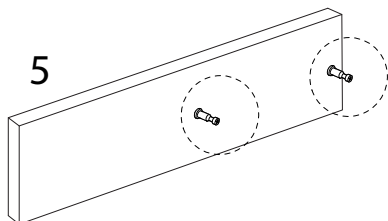
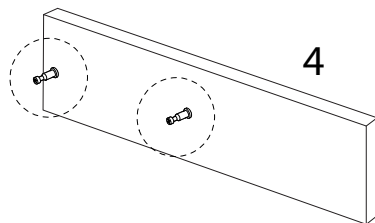


x 1

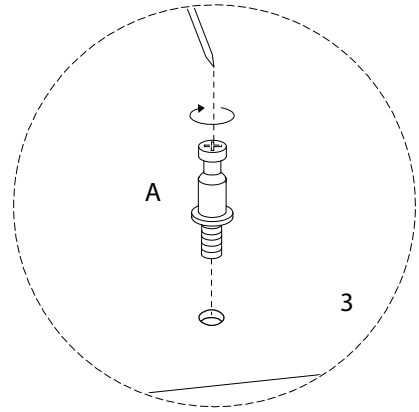
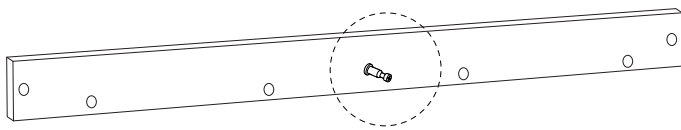
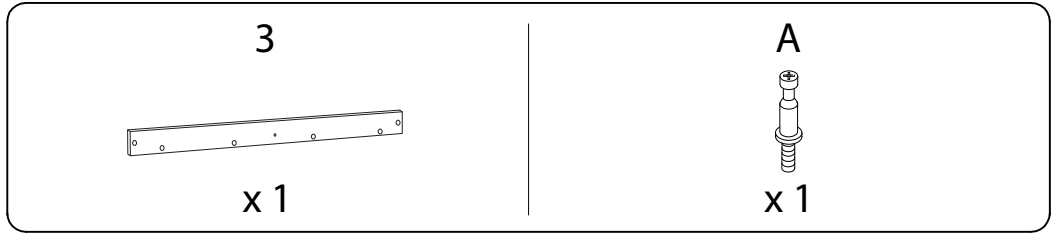
A



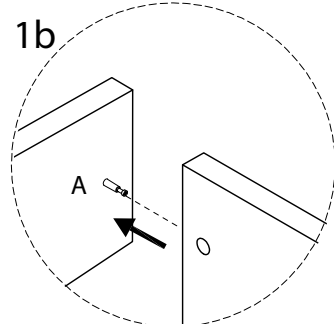
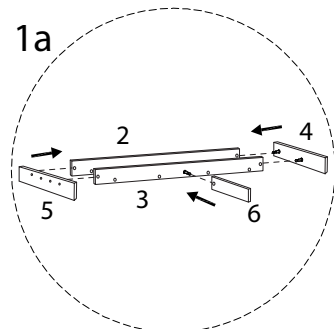
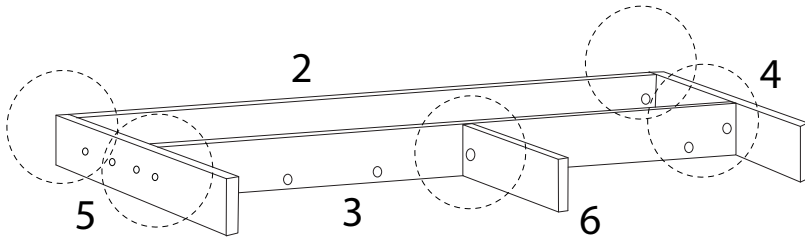
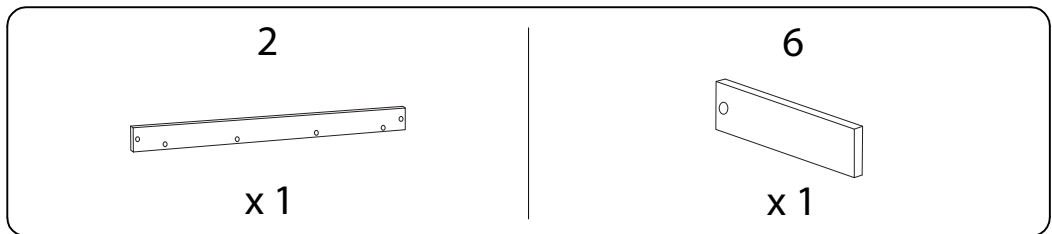
x 4



4



5

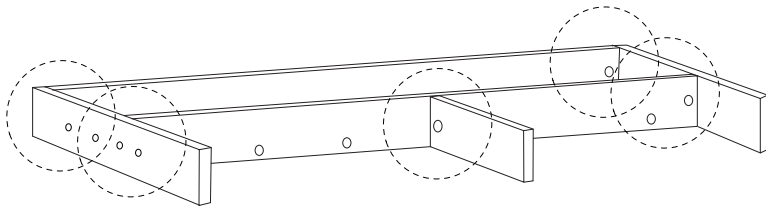


6

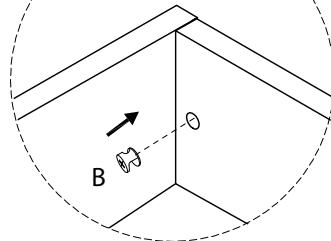
B



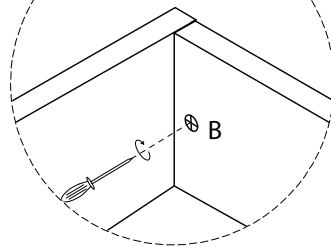
x 5



1a



1b



7

1

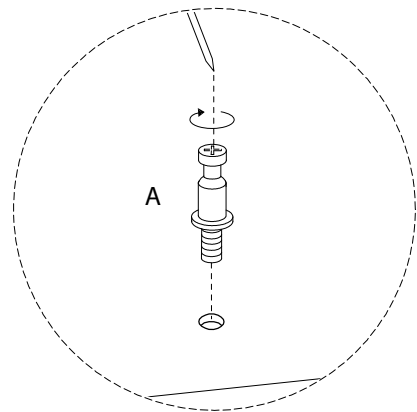
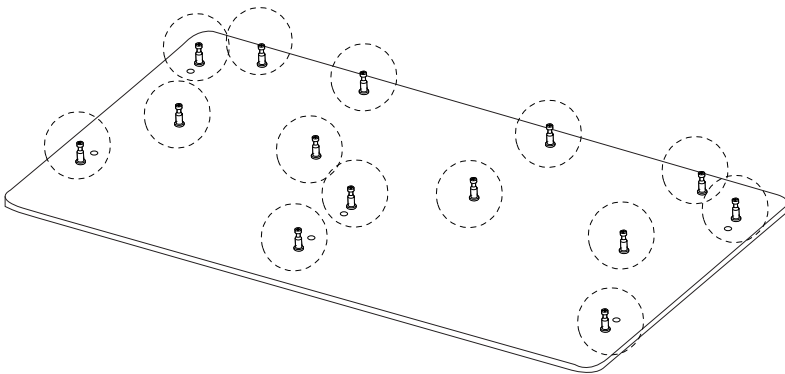


x 1

A

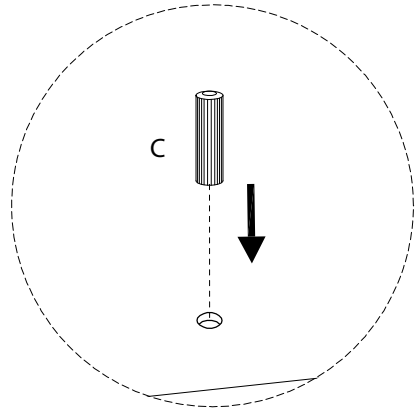
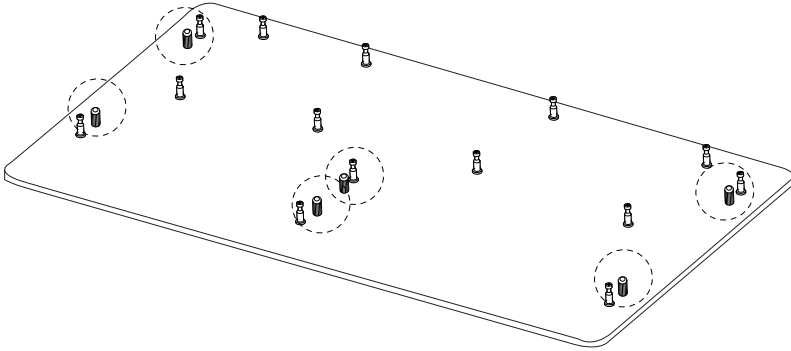


x 14

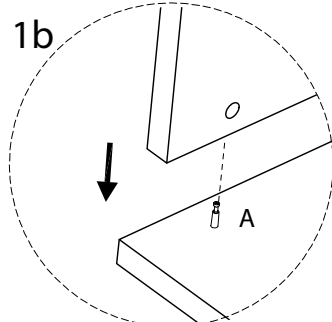
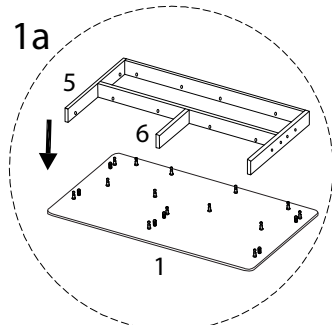
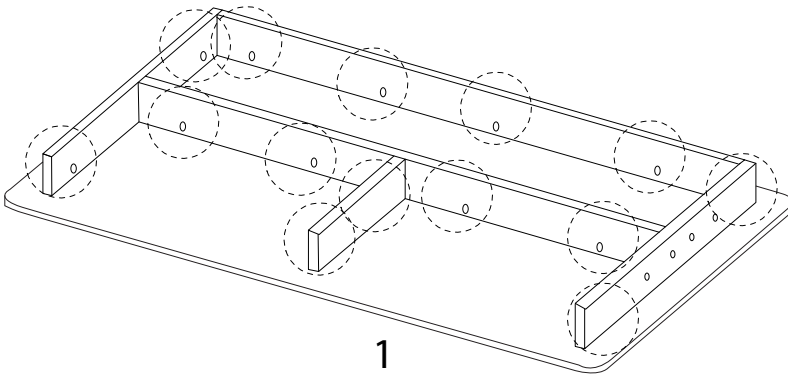


8

C  
x 6



9

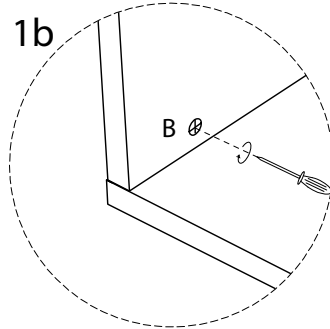
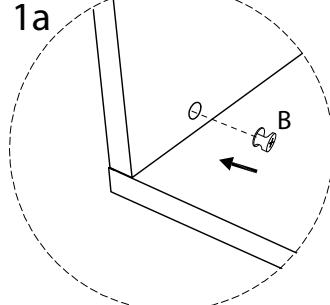
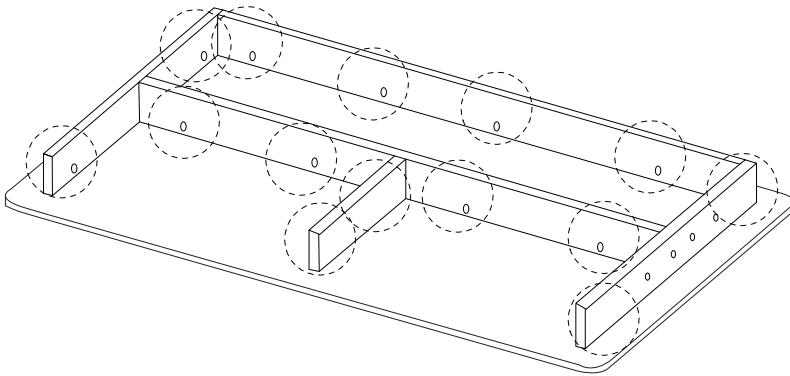


10

B



x 14



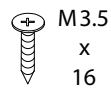
11

D1

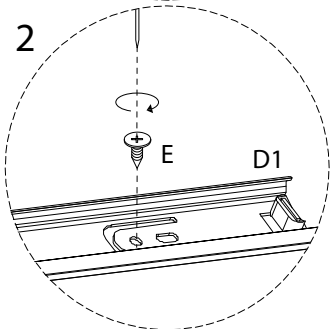
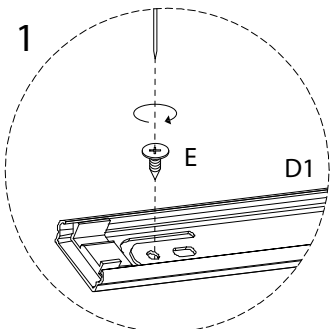
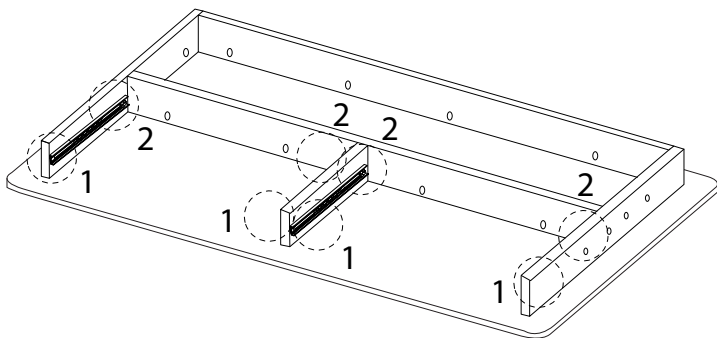


x 4

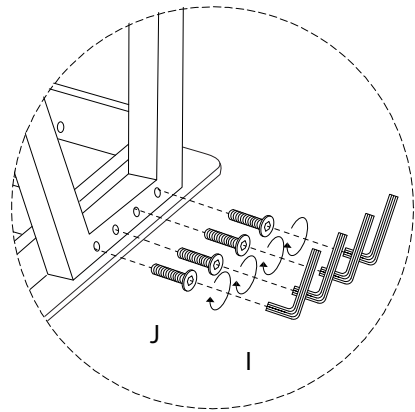
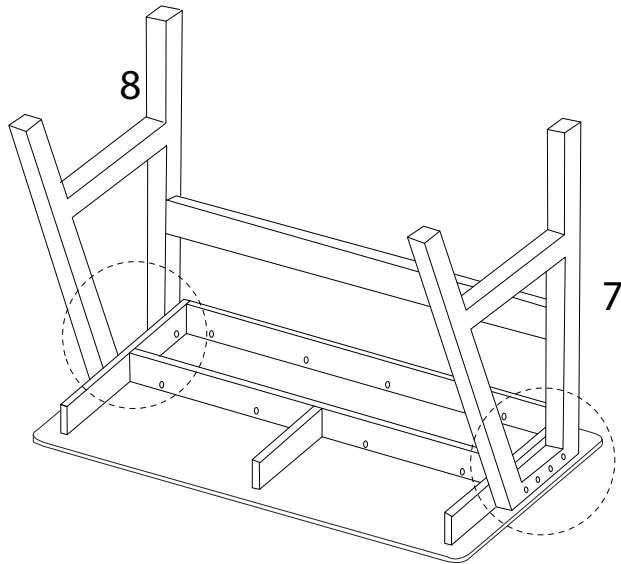
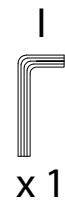
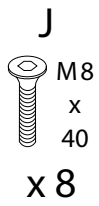
E



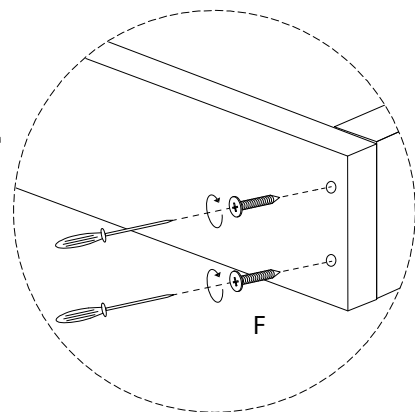
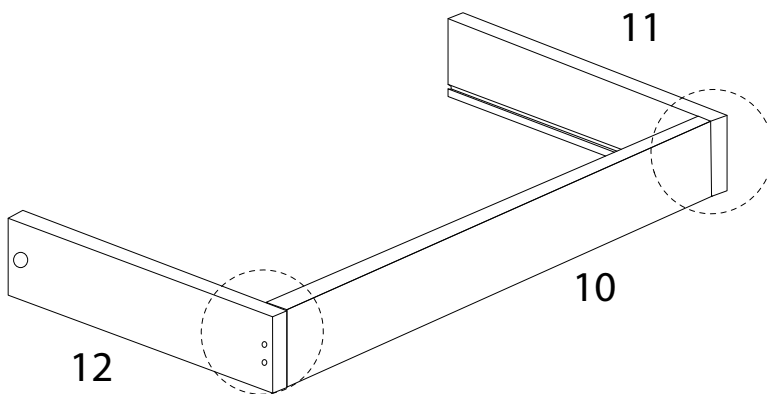
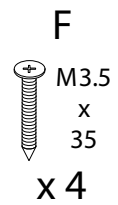
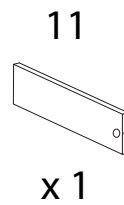
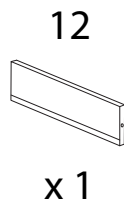
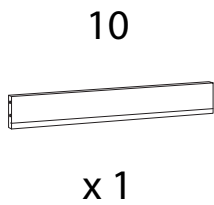
x 8



12



14 x 2

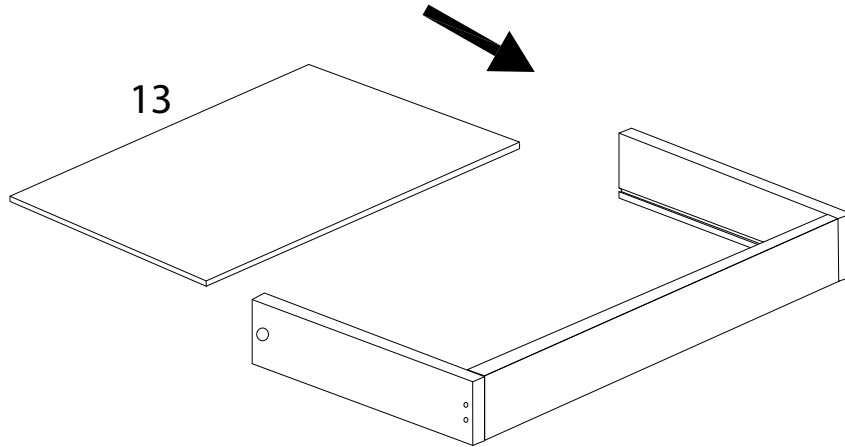


15 x 2

13



x 1



16 x 2

14

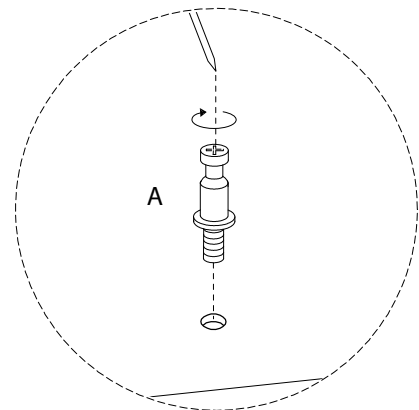
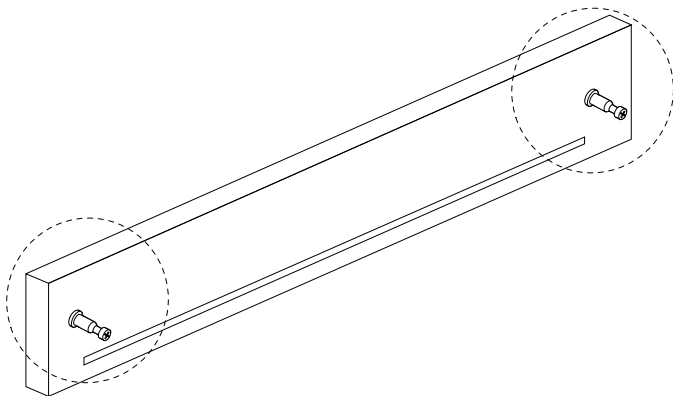


x 1

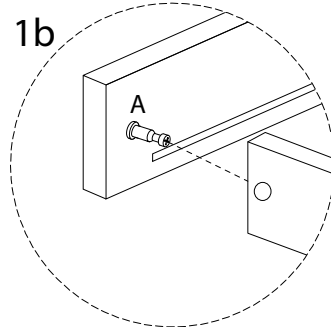
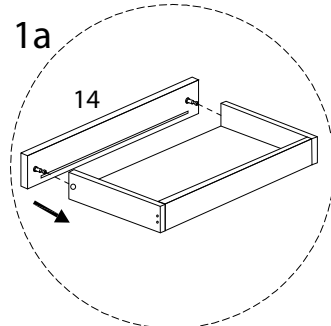
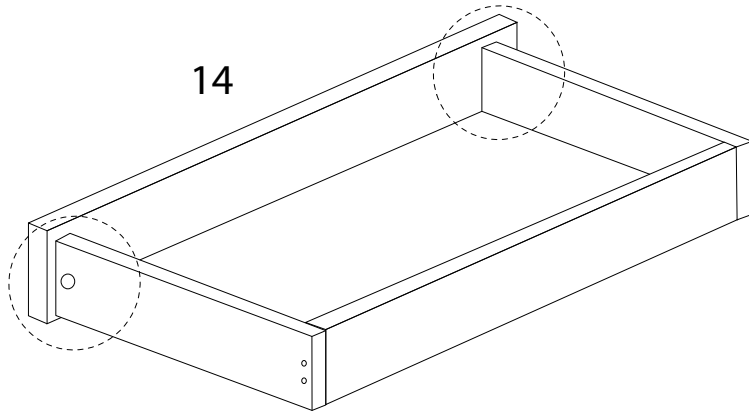
A



x 2



17 x 2

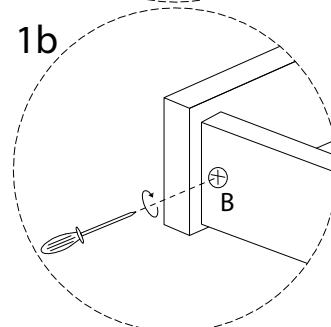
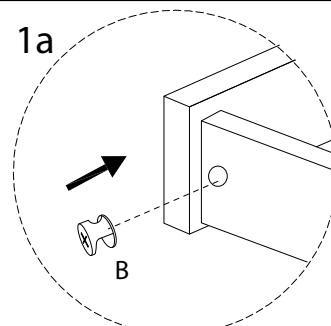
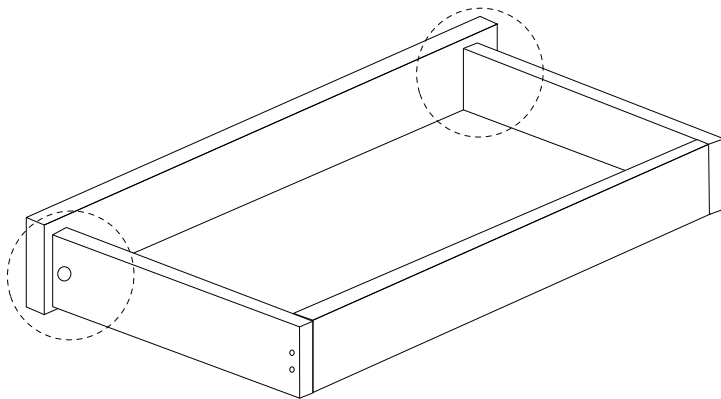


18 x 2

B



x 1



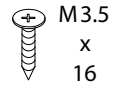
19 x 2

D2

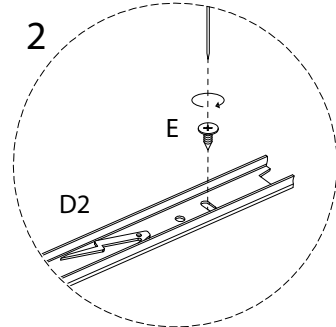
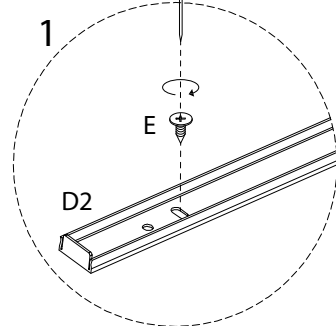
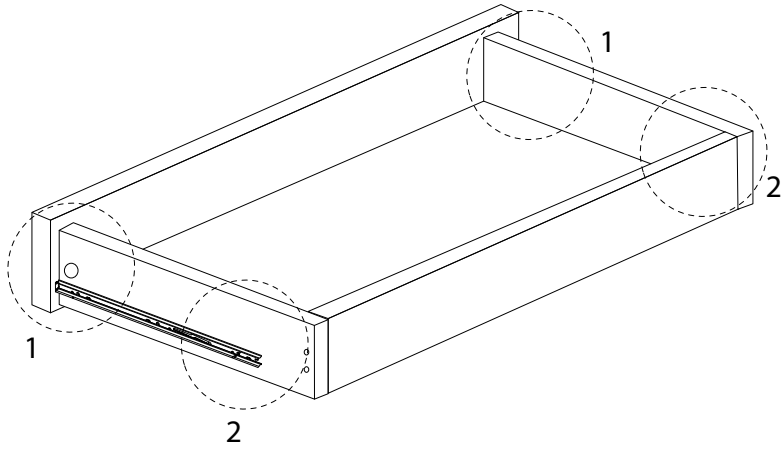


x 1

E



x 4



20

