

# User Manual

Linear Minimalist and  
Modern Wall Lamp



Thank you for shopping, we really appreciate your business. Our goal is to provide an excellent customer service before, during and after delivery. We've included a guide on how to install this light, should you require additional assistance please feel free to email us and one of our customer service reps will reach out to assist you.

## BEFORE YOU GET STARTED

**When working with electrical wiring, follow these safety instructions to prevent injury or damage:**

1. Turn off the power: Before starting any work, turn off the power to the area you will be working in.
2. Use appropriate tools: Only use tools designed for electrical work and in good condition.
3. Wear protective gear: Wear safety glasses, gloves, and other protective gear as necessary.
4. Test for power: Use a non-contact voltage tester to check for electrical current before touching any wires.
5. Avoid wet conditions: Do not work with electrical wiring in wet or damp conditions.
6. Keep a safe distance: Stay away from exposed wires or electrical components.
7. Seek professional help: Consult a qualified electrician if you are unsure about any aspect of electrical wiring or encounter any problems.



## WARNING!

1. Do not use the power supply beyond the specified range (100-240V).
2. Avoid scratching the surface and wires of the light during installation.
3. Do not install the light outdoors.
4. The light should not be close to corrosive chemical objects or gases.
5. It should not be washed with water. It can only be wiped with a clean soft cloth.

**Assembly Inventory:**

*Please check the assembly inventory. If you find anything missing reach out to our customer service team*

**A- 1 x LED Light assembled (see image 1.1)**

*Includes light bar, wires*

**B- 2 x Wall Base (black color)**

*(only needed if you're installing on a corner position)*

**C- 2x Silver Brackets**

*(used alone for flat surface or combined with item B on a corner position)*

**D- 4 x Regular Screws(silver or black color)**

**E- 4 x Plastic Drywall Anchor**

**Tools needed (not included):**

1 x Screw Driver

1 x Electric Drill

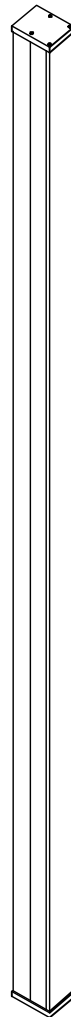


Image 1.1

**Step 1:**

Use a pencil or a pen to mark the drilling position. The back of the light is empty, so you can position the silver brackets anywhere. We recommend adding one near the top and one near the bottom. During this process, it is very important to ensure you account for the wiring position on your wall or ceiling.

**Step 2:**

Using a drill, drill holes into the wall where you marked in step 1.

**Step 3:**

Insert drywall anchors into each hole. Don't damage or force the anchor in the hole. If the hole is small, try to make the hole(s) bigger.

**Step 4:**

Screw the silver brackets to the wall using a screw driver. Don't attach the lamp. This step to be completed after wiring.

Now that you have setup the position of the lamp, it is time to wire the lamp. Before wiring, use step 5 if you need a plate to cover the hole in your wall, also known as junction box. You may skip the below step if not needed.

**Step 5:** (Skip this step if you don't need a plate to cover the junction box opening)

If you have a hole that is wider than the lamp, we have included a junction box cover. Simply mark the drilling position using a pencil, and drill 6 holes that are marked on the junction box cover. Insert drywall anchors into each hole and screw the wall plate on the wall. The wall plate comes in two pieces, combined together they make a square shape cover. It's important to ensure the wall wires are still accessible, insert them through the center of the junction box cover.

**Step 6:** (skip this step if you ordered the plug-in version)

**Black Wire:** Live, **White wire:** Neutral, **Yellow wire:** Ground

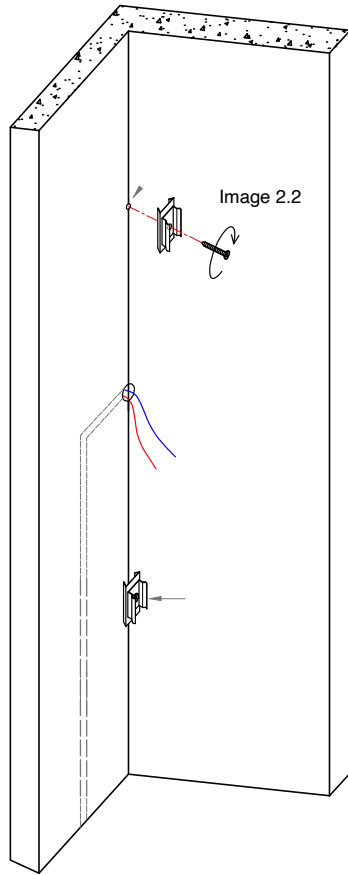
Connect the lamp wires to the wall wires, and tuck inside the lamp or inside the wall.

**Step 7:**

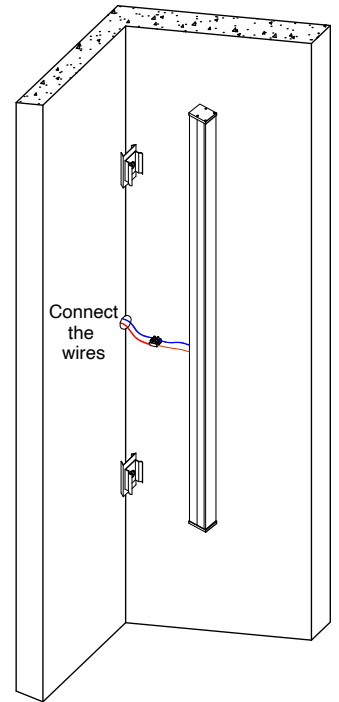
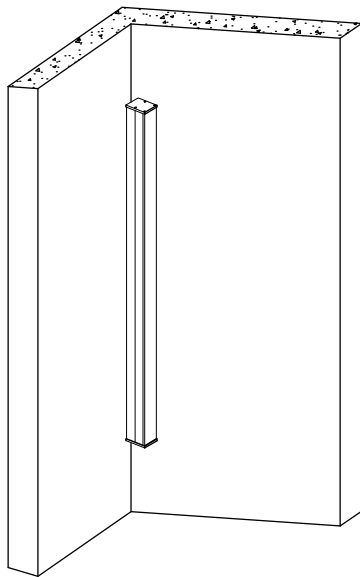
Attach the wall lamp to the silver brackets by squeezing the bracket into the back of the lamp.

Now you may turn your electrical power back on and test the lamp.

The instructions above are for a flat surface. If the light is being installed in a corner position, follow the additional steps provided in the next page.



Similar to the previous instructions, instead of screwing the silver brackets directly into the wall, we've included a small black bracket (item B). Screw the black bracket first, then the silver bracket on top of it as shown in image 2.2



Please note the remote control comes with the dimmable version only

1- Please Install two AAA batteries. Once you have installed the batteries, point the remote at the light fixture and press the "On" button the light will come on. The remote should connect automatically once the batteries are installed (If the remote does not connect see step 2)

2- To connect the remote to the lamp, it must be done within the first 5 seconds after you power the fixture on, press the "Connect" button until the fixture flashes.

3- Once the light is on, use the "+" and "-" buttons on the remote to adjust the brightness. Pressing "+" will increase the brightness, while "-" will decrease it.

4- Once the light is on, use the "k+" and "k-" buttons on the remote to adjust the color temperature. Pressing "k+" will increase the temperature while "k-" will decrease it. Increasing the temperature will make the emitting color warm and decreasing the temperature will make the emitting color cold.

Helpful information:

The bottom 5 buttons represent the following:

- 1- Adjust brightness
- 2- Dims the light
- 3- Warm white (4000K) option
- 4- Warm (3000K) option
- 5- Cold White (6000K) option



Please note the app comes with the app + version only.

1- Please install and set up the app **fairy nest**, up the app with your mobile number or email.

**2.4GHz then please setup 2.4GHz on your router (search online on how to setup 2.4GHz)**

2- Once you have downloaded and set up the app Fairy Nest, please connect your Wi-Fi to the app. You can connect your Wi-Fi with the app by adding in your Wi-Fi password.

3- In the back of the fixture you will find a small controller. You should also see “S” “on/off “and “M”

4- There are two ways to set up the App, manual and automatic.



**Automatic Mode:**

- a) Select Automatic in the Fairy Nest app.
- b) Press and hold the “On/Off” button until your fixtures starts to flash.
- c) After you see the light flashing, press continue and watch the fixture pair to the app
- d) After the configuration is completed, you'll be able to control your fixture through the fairynest app

If you are getting a "failed message", please make sure your wifi is 2.4GHz

**Manual Mode:**

- a) Select Manual mode.
- b) Press and hold the “On/Off” button until your fixture starts to flash.
- c) Go to your device Settings page then go to your Wifi settings, find and connect the controller (named SP511E\_XXX, and the password should be 12345678).
- d) Go back to the APP and wait for the configuration to finish. (Please keep your phone, the Wi-Fi router and the controller closer together to maintain a better signal connection during configuration)
- e) After the configuration is completed, you should be able to control your fixture through the fairynest app.

**To connect to:**

1. Sign into the App and get your smart speaker ready.
2. Enable Skills: there are two skills for SP511E LED controller: FaryNest and FairyLight.
3. Search FairyNest and FairyLight on the App's skills page, click enable button to enable the skills, and login to fairynest using your account and password, then click on grant access.
4. With the FairyNest and FairyLight skills enabled, you can now control your lights with voice commands