

⑨ bolt screw

① split frame  
ZJD00129-4 3PCS  
ZJD00129-5 4PCS  
ZJD00129-6 4PCS



⑥ hook hanging tube  
ZJD00129-4 3PCS  
ZJD00129-5 4PCS  
ZJD00129-6 4PCS

② canopy 1PCS  
③ cap nut 2PCS

⑦ hanging tube 1PCS

④ chain 1PCS

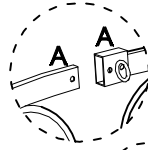
light arm  
ZJD00129-4 4PCS  
ZJD00129-5 5PCS  
ZJD00129-6 6PCS

⑤ hanging part 1PCS

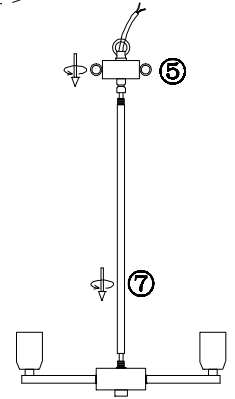
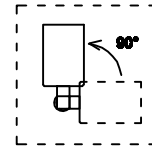
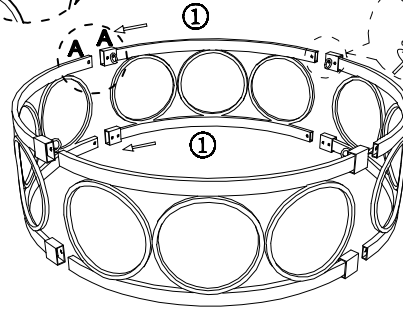
⑧ light fixture 1PCS

	X1PCS		X3PCS		X3PCS
	X3PCS		X3PCS		X2PCS

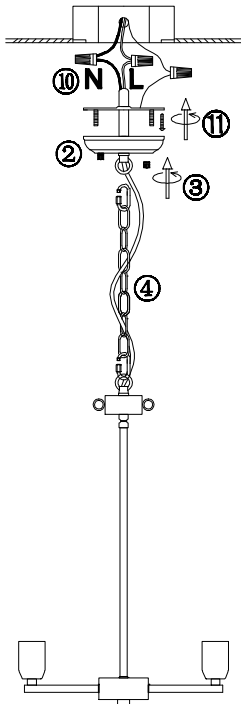
Note: male A should connect with female A, male B should connect with female B (C with C, D with D).



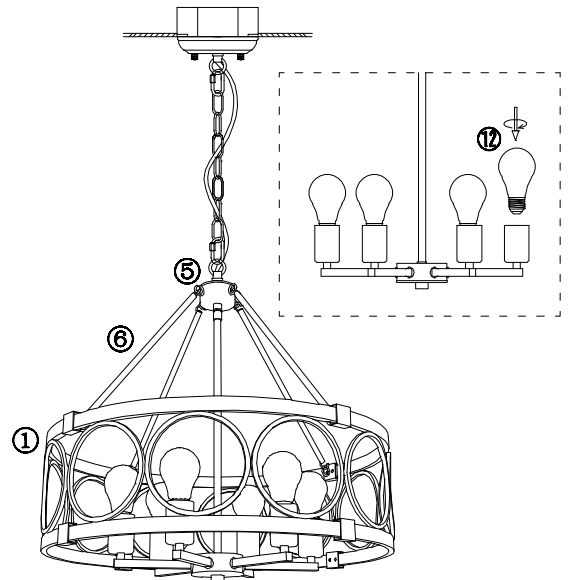
Don't tighten the screws ⑨ until all screws in the holes, rotate to fixed the screw ⑨ at last.



1. Assembled the split frame to be a complete framed with bolt screw ⑨.
2. Turn the lamp head 90-degree to make it perpendicular to the lamp arm, let the wire of the light fixture ⑧ go through the hanging tube ⑦ and hanging part ⑤, rotate to fix both parts to the light fixture.



3. Hang the fixture to the canopy ② with chain ④, let the wire go through the chain ④ and canopy ②.
4. Install the bracket to the ceiling junction box with screw ⑪.
5. Connect the wire to the house line with cap connector ⑩.
6. Install the light fixture to the bracket with cap nut ③.



7. Hang the metal frame to the part ⑤ with tube ⑥.
8. Install the bulb ⑫.

ZJD00129-4/ZJD00129-5/ZJD00129-6

Please read carefully before installation!!!

Note : Please make sure that the electricity is powered off during installation !

Only a professional electrician should install this kind of product !