



POPCORN MAKER



INDOOR HOUSEHOLD USE ONLY

Please save and read this instruction manual carefully before use.

INTRODUCTION

Thank you for purchasing our Popcorn Maker, Each unit has been manufactured to ensure safety, reliability, and easy of use. Before use, please read these instructions carefully and save them for future reference.

IMPORTANT SAFEGUARDS

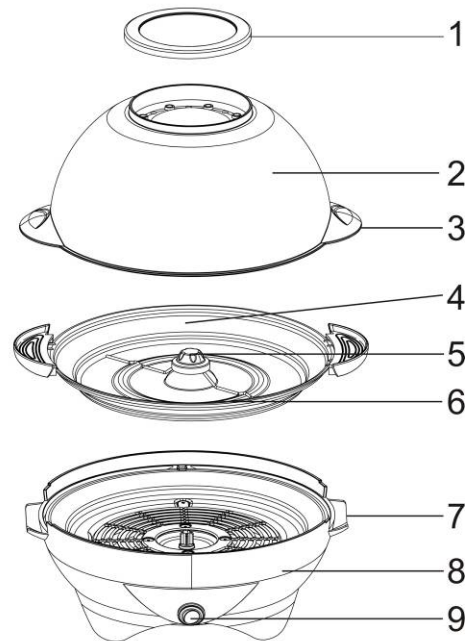
When using your Popcorn Maker, basic precautions should always be followed, including the following:

- This appliance is not intended for use by persons (including children) with reduced physical, sensory or mental capabilities, or lack of experience and knowledge concerning the use of this product, unless they are supervised or have been given instruction concerning use of the appliance by a person responsible for their safety.
- Children should be supervised to ensure that they do not play with the appliance.
- Always ensure that the voltage on the rating label corresponds to the voltage in your home.
- Check the power cord and plug regularly for any damage. If the cord or the plug is damaged, it must be replaced by manufacturer or a qualified person in order to avoid an electrical hazard.
- This product is intended for household use only. Industrial or commercial use will void the warranty, and the supplier can not be held responsible for injury or damage caused when using the appliance for any other purpose than that intended.
- Incorrect operation and improper use can damage the appliance and cause injury to the user.
- The manufacturer does not accept responsibility for any damage or injury caused by the improper or incorrect use of the appliance, or by repairs carried out by unauthorized personnel.
- Do not use the appliance if it has been dropped or damaged in any way. In case of damage, take the unit in for examination and/or repair by an authorized service agent.
- To reduce the risk of electric shock, do not immerse or expose the motor assembly, plug or cord in water or any other liquid.
- Never immerse the unit in water or any other liquid for cleaning purposes.
- Remove the plug from the socket by gripping the plug. Do not pull on the cord to disconnect the appliance. Always unplug the unit when not in use, before cleaning or when adding or removing parts.
- The use of accessory attachments that are not recommended or supplied by the manufacturer may result in injuries, fire or electric shock.
- Do not let the cord hang over the edge of a table or counter. Ensure that the cord is not in a position where it can be pulled on inadvertently.
- Do not allow the cord to touch hot surfaces and do not place on or near a hot gas or electric burner or in a heated oven.

- Use of an extension cord with this appliance is not recommended. However, if it is necessary to use an extension lead, ensure that the lead is suited to the power consumption of the appliance to avoid overheating of the extension cord, appliance or plug point. Do not place the extension cord in a position where it can be pulled on by children or animals or tripped over.
- This appliance is not suitable for outdoor use. Do not use this appliance for anything other than its intended use.
- Do not carry the appliance by the power cord.
- Never use this unit near bathtubs, showers, basins or other vessels containing water.
- Do not leave this appliance unattended during use. Always unplug the unit when not in use. Allow it to cool before putting on or taking off parts, and before cleaning the appliance.
- Always operate the appliance on a smooth, even and stable surface. Do not place the unit on a hot surface.
- Do not touch hot surfaces. Use handles, always wear oven mitts or use potholders.
- Never leave the popcorn maker unattended when it is plugged into an outlet.
- After pressing the “ON/OFF” switch, this popcorn maker heats immediately. To avoid overheating, add raw popcorn before turning ON.
- This popcorn maker will NOT shut off automatically. To turn the popcorn maker OFF, press the “ON/OFF” switch to OFF. Then remove plug from wall outlet.
- Extreme caution must be used when moving an appliance containing hot oil or other hot liquids.
- Extreme caution must be used when removing popped popcorn. Always flip the unit away from you and over a countertop.
- Allow unit to cool completely before popping a second batch.
- Never place the popcorn maker’s clear lid, plastic lid cap, or rotating rod in a microwave oven.
- In case of technical problems, switch off the machine and do not attempt to repair it yourself. Return the appliance to an authorized service facility for examination, adjustment or repair. Always insist on the use of original spare parts. Failure to comply with the above mentioned precautions and instructions, could affect the safe operation of this machine.
- **CAUTION HOT SURFACES:** This appliance generates heat and escaping steam during use. Proper precautions must be taken to prevent the risk of burns, fires or other injury to persons or damage to property.
- **CAUTION:** This popcorn maker is hot during operation and retains heat for some time after turning OFF. Always use oven mitts when handling hot base and allow to cool before cleaning. Do not place anything on top of the appliance while it is operation or while it is hot.

KNOW YOUR POPCORN MAKER

1. Lid cap
2. Clear popcorn maker lid
3. Lid handles
4. Popping Plate
5. Center Knob
6. Rotating Rod
7. Base handles
8. Popcorn maker base
9. ON/OFF switch



SPECIFICATIONS

Capacity: 5.0L (24 Cups / 240ml per cup)

Voltage: 120V / 60Hz

Wattage: 800W

USING YOUR POPCORN MAKER

You must read all instructions carefully before using this appliance.

- Remove all packing material and please check carefully, making sure that your popcorn maker is in good condition. It must have no cracks on the unit and no damage to the cord/plug. Do not discard any packaging until all accessories have been found.
- You must confirm that the voltage indicated on the popcorn maker corresponds with the voltage in your home.
- Remove any adhesive labels or stickers before use.

Before using for the first time

1. Carefully unpack the popcorn maker and remove all packaging materials.
2. Wash lid cap, popcorn maker lid and popping plate in warm of soapy water; rinse and dry thoroughly.
3. Place the base on a clean, flat, heat-resistant working surface.

CAUTION: During popping, the base gets hot. Make sure the surface is able to withstand heat or use a trivet to protect the working surface.

4. Grasp popping plate by the handles and place on top of popcorn maker base.
5. Gently press down on the handles until each side of the popping plate rests firmly in place.

Note: The popping plate is properly positioned if it rests flat on top of the popcorn maker base. The unit will not function unless the popping plate is properly positioned.

Tips: Can rotate the center knob, popping plate will be easy to fit properly.

6. Grasp the bowl by handles and place it on the popping plate. Be sure that the handles on the popping bowl rest comfortable on the popping plate.
7. The popcorn maker is now ready for use.

NOTE: When your popcorn maker is heated for the first time, it may emit slight some smoke or odor. This is normal and should disappear after 1 or 2 uses. This does not affect the safety of the appliance. However, as it may affect the flavor of the first batch or popcorn, it is recommended that these be discarded.

TO USE YOUR POPCORN MAKER

Enjoy up to 24 cups (240ml) fresh popped popcorn.

1. Add the approximate (recommend 30ml) amount of vegetable oil or canola oil to the popping plate.
2. Evenly distribute kernel to the popping plate, **Note:** Do not exceed 130 grams of kernels in a single run.
3. Replace the clear popcorn maker lid fit the cover handles onto the plate handles.

IMPORTANT: Do not add the lid cap when popping corn.

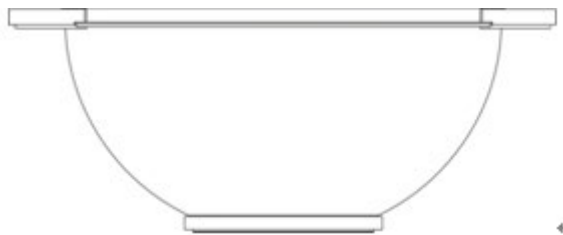
4. Plug the popcorn maker into a 120V outlet.
5. Press the ON/OFF switch, the rotating rod will begin to spin. The cooking process will begin.

CAUTION:

- Do not shake the popcorn maker during the popping cycle.
 - Do not remove the clear popcorn maker lid after the unit is turned ON, especially after the first corn has popped.
6. Depending on the amount of raw popcorn being popped, the popping cycle should be completed in 5 to 6 minutes.
 7. The cooking process will conclude when little to no popping is heard. Press the ON/OFF switch to turn then popcorn maker OFF. Unplug the electrical cord from the wall outlet.
 8. Snap the lid cap securely onto the clear popcorn maker's lid.

IMPORTANT:

- The lid cap must be securely fitted onto the clear popcorn maker lid before serving.
 - Make sure the handles of the popcorn maker's lid are fitted into the handles of the popcorn maker's base.
9. Wearing protective oven mitts, grasp both sets of handles (lid and base) firmly and flip the popcorn upside down.



CAUTION:

- To avoid personal injury, always flip the popcorn maker away from you to avoid escaping steam. Place the popcorn-filled lid on a clean, flat surface.
- Lift the Popcorn Maker's base slightly away from you to allow the steam to escape.
- Wait at least 10 to 20 seconds to ensure popping has completely stopped before flipping the popcorn maker as remaining heat may still have effect on the un-popped corns.
- Extreme caution must be used when unloading popcorn, always place the unit on a counter top to prevent burns from residual oil or water running out.

WARNING:

- After popping, **the base is HOT!** Grasp handle only. Use caution to avoid burns.
10. Serve popcorn from the clear lid or empty into a large serving bowl.
 11. Sprinkle fresh popped popcorn with salt or other seasonings, if desired.

To Pop additional batches of popcorn

1. Empty the fresh popped corn into a serving bowl.
2. Allow popcorn maker base to cool completely.
3. Continue popping another batch of popcorn following the operation instructions (to use your popcorn maker) previously described.

USE MAINTENANCE INSTRUCTIONS

- This appliance requires little maintenance. It contains no user serviceable parts.
- Do not try to repair it yourself. Any servicing requiring disassembly other than cleaning must be performed by a qualified appliance repair technician.

CARE AND CLEANING

CAUTION: Never immerse the popcorn maker base, cord or plug in water or other liquid.

1. Unplug popcorn maker and allow to cool before cleaning.
2. The popcorn maker should be cleaned after every use.
3. Wash the clear popcorn maker lid, plastic lid cap and popping plate in warm, soapy water. Use a soft cloth or kitchen sponge, rinse and dry thoroughly.

WARNING: To prevent scratching, never use abrasive scouring pads, steel wool or scouring powders.

4. After consistent use, the non-stick finish may discolor. To remove discoloration, use a soft cloth saturated with lemon juice or vinegar and apply to the finish.

CAUTION: Never place the Popcorn Maker's clear lid, plastic lid cap, or popping plate in the dishwasher.

STORAGE

1. Unplug unit and allow to cool.
2. Store the clean popcorn maker fully assembled.
3. Snap the lid cap in place.
4. Place the clear popcorn maker lid onto the base. Make sure the lid handles and the base handles are aligned. Store the popcorn maker in its box or in a clean, dry place.

CUSTOMER SERVICE

Contact us through our website: www.TeamCustomerService.com

If you have any question about assembly, use or possible missing part, please contact us and we will be glad to assist you.