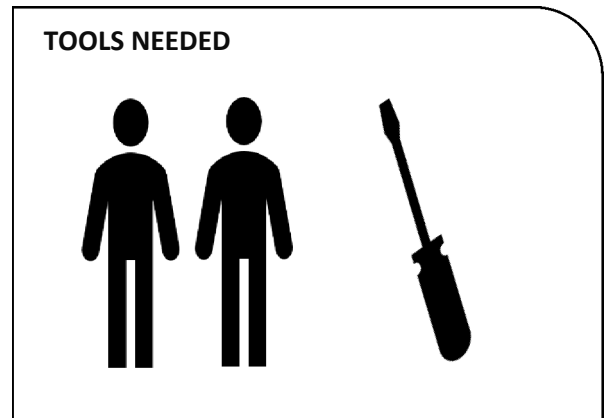


ASSEMBLY INSTRUCTIONS

IMPORTANT - Please retain this information for future reference and read carefully before starting.
HELPLINE - If you need assistance with this product or need to order replacement fitting please contact our
CUSTOMER HELPLINE



SELF ASSEMBLY ITEMS CANNOT BE RETURNED ONCE ASSEMBLY IS PARTLY OR FULLY COMPLETED UNLESS THE ITEM IS FOUND TO BE FAULTY. SHOULD YOU NEED TO RETURN THE UNASSEMBLED PRODUCT, PLEASE REPACK IN THE ORIGINAL PACKAGING, ENSURING ALL COMPONENTS ARE INCLUDED.

IMPORTANT - PLEASE READ BEFORE STARTING

- * FOLLOW THE INSTRUCTIONS ON THE STEP BY STEP GUIDE.
- * PLEASE UNPACK CAREFULLY AND PLACE ALL PARTS ON A SMOOTH SURFACE
- * ENSURE ALL TOOLS AND COMPONENTS ARE COMPLETE BEFORE STARTING THE ASSEMBLY.
- * KEEP FITTINGS OUT OF CHILDRENS REACH AND KEEP CHILDREN AWAY FROM ASSEMBLY AREA.
- * ENSURE YOU HAVE ENOUGH ROOM FOR CONSTRUCTION.
- * PACKAGING MAY BE USED TO PROTECT PRODUCT DURING ASSEMBLY.
- * NOT SUITABLE FOR USE IN AREAS WITH HIGH HUMIDITY – eq. BATHROOMS.
- * MINIMUM OF TWO PEOPLE ARE REQUIRED TO ASSEMBLE THIS PRODUCT.

CARE INSTRUCTION

This product care will guide you on the best way to care for your product to maximize their guaranteed life. Protect from direct sunlight. The location of your product can affect its durability, thus placing it too close to high-temperature appliances can increase the risk of scorching damage or discoloration and placing the item where it can touch external walls can create moisture build-up. Sharp objects and even the claws of your pets can tear, scratch or break the product.

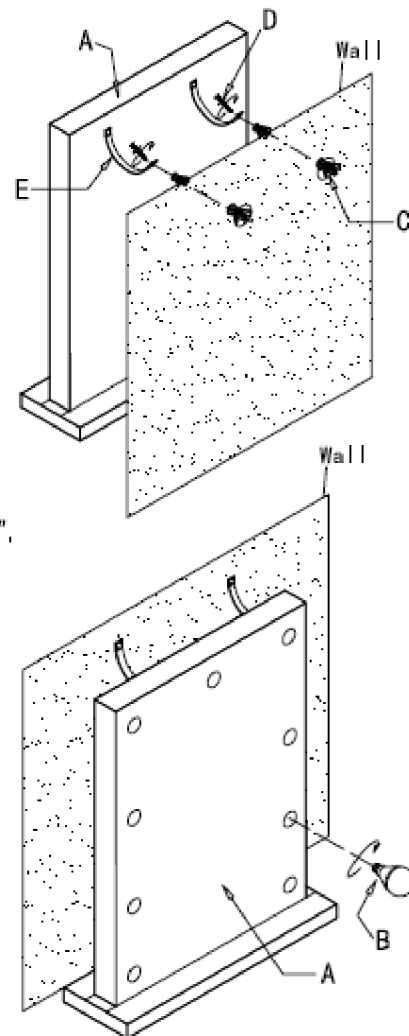
- * Periodically wipe clean with a soft dry cloth and/or non-abrasive cleaner.
- * Do not rub or scrub the surface when cleaning.
- * Take precautions in using vacuums and use low suction as much as possible to maintain product integrity.
- * Do not strike the material with hard or pointed items.
- * Do not use abrasive and harsh cleaning products.
- * Do not sit or stand on products otherwise indicated.
- * If liquid spills do occur, wipe or blot with dry clean cloth as soon as possible.
- * Avoid direct and continuous exposure to sunlight.
- * Care must be taken in using coloured cleaning materials as it may transfer or stain products.
- * Always follow cleaning product guide/manual on any cleaning product used.
- * Dragging, pulling, and dropping any product is not recommended.
- * Do not place items with extreme temperature on the product as it may cause brittleness.

ASSEMBLY PARTS

No	Illustration	Description	QTY	No	Illustration	Description	QTY	No	Illustration	Description	QTY
A		The lamp body	1	B		LED bulbs	6	C		Plastic anchor	1
D		Screw & Washer	1	E		Nylon restraint bandage	1				

STEP 1:

1. Drill hole in the wall, insert the plastic anchor "C" into the hole and gently tap until the flange on the anchor is against the wall surface.
2. Position the nylon restraint bandage "E" on the anchor and use screw driver to tighten the screws & washers "D" to securely attach the nylon restraint bandage "E" to the wall.
3. Place the mirror lamp "A" against the wall, then assembly work is completed.
4. Screw the bulb "B" onto socket of mirror lamp "A".
5. Use only **220-240V AC MAX 2W LED** bulb or smaller bulb.
6. **IN DOOR USE ONLY** and dry locations only.
7. To ensure safety, please use safety straps provided.



LED MIRROR LAMP IMPORTANT USER'S INSTRUCTIONS

For safety reason, please following the Important User's Instruction;

1. To ensure safety, please use safety straps provided.
2. Indoor and dry location use only.
3. Never use filament bulb or Eco Halogen bulb.
4. **Use only 220-240V AC 50Hz E14 MAX 2W or smaller LED bulb .**
5. Not suitable for age under 14, due to potential dangers.
6. The product must not be used unless all lampholders are fitted with a bulb due the risk of exposed lampholder terminal.
7. To keep all other items off and away from the mirror lamp. Do not hang things over the mirror lamp.
8. Cleaning Instructions:
 1. Disconnect the mirror lamp from the socket outlet before cleaning.
 2. Do not use spray liquid glass cleaning material to clean the mirror. The sprayed liquid could enter lampholder and can cause risk of electric shock.
 3. Use a sponge or a soft cloth moistened by a non-abrasive detergent. Do not use washing powder or any other substances containing abrasives since these substances could scratch the mirror.
 4. Do not rinse under water and do not pour liquid inside or over the mirror lamp.
9. Ordinary maintenance:
 1. Changing the bulb is the only maintenance action allowed to user.
 2. Attention: Always disconnect the mirror lamp from the socket before proceeding change bulb.
 3. **Use only 220-240V AC 50Hz E14 MAX 2W or smaller LED bulb .** Never use other bulbs.
 4. Keeping Instructions for further use.

ATTENTION:

CIMC decline any responsibilities for damages occurred to people, animals or objects coming from an improper use of the mirror lamp.